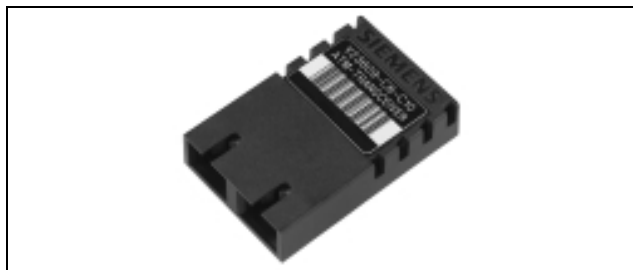
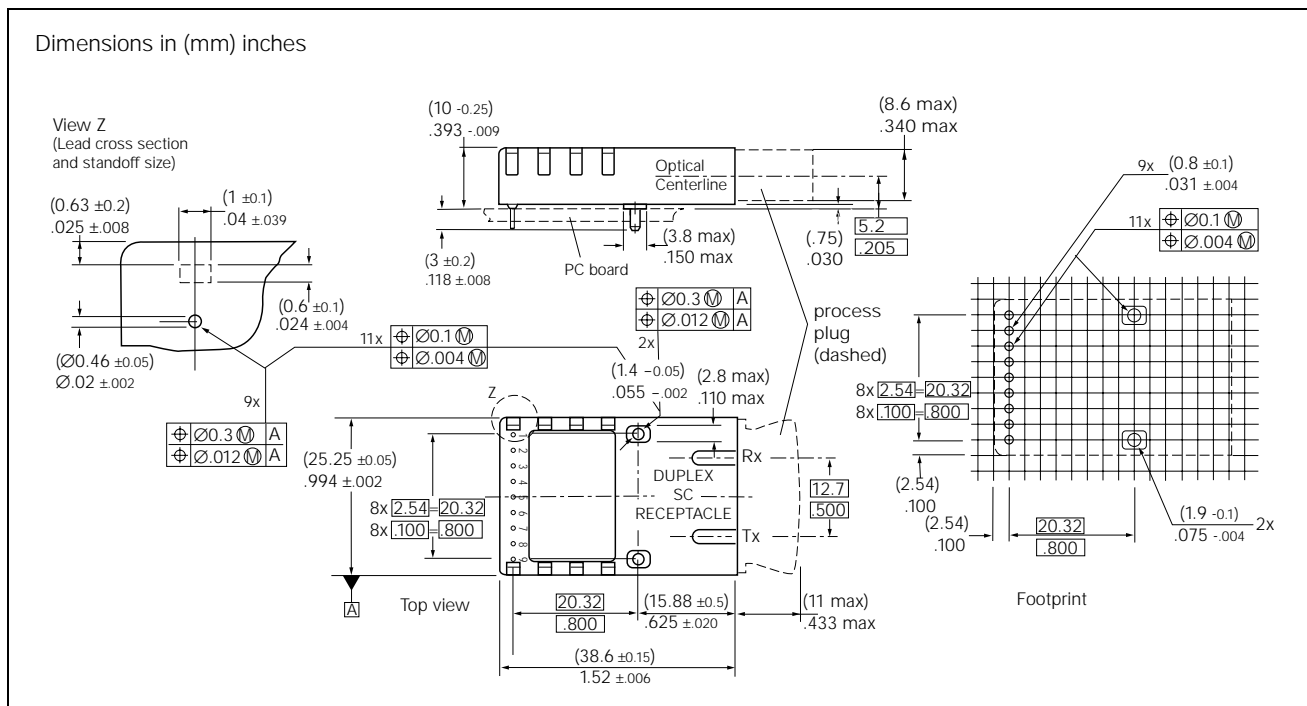




11 dB V23809-C8-C10*

Multimode 1300 nm LED Fast Ethernet/FDDI/ATM 170 MBd 1x9 Transceiver



APPLICATIONS

- ATM switches/bridges/routers
- Fast Ethernet, FDDI
- High speed computer links
- Local area networks
- Switching systems

Absolute Maximum Ratings

Exceeding any one of these values may destroy the device immediately.

Supply Voltage ($V_{CC}-V_{EE}$) -0.5 V to 7 V
Data Input Levels (PECL) (V_{IN}) $V_{EE}-V_{CC}$
Differential Data Input Voltage 3 V
Operating Ambient Temperature (T_{AMB}) 0°C to 85°C
Storage Ambient Temperature -40°C to 85°C
Soldering Conditions, Temp/Time (T_{SOLD}/t_{SOLD})	
(MIL-STD 883C, Method 2003) 270°C/10s
ESD Resistance (all pins to V_{EE} , human body) 1.5 kV
Output Current (I_O) 50 mA

FEATURES

- Compliant with Fast Ethernet, FDDI, Fibre Channel, ATM/SONET/SDH standards
- Compact integrated transceiver unit with duplex SC receptacle
- Single power supply with 3.0 V to 5.5 V range
- Extremely low power consumption < 0.7 W at 3.3 V
- PECL differential inputs and outputs
- System optimized for 62.5/50 μ m graded index fiber
- Industry standard multisource footprint
- Very low profile for high slot density
- Wave solderable and washable with process plug inserted
- Testboard available
- UL-94 V-0 certified
- ESD Class 1 per MIL-STD 883D Method 3015.7 (March 89)
- Compliant with FCC (Class B) and EN 55022
- For distances of up to 2 km on multimode fiber

*Available also as 8 dB V23809-C8-C11 on request.

DESCRIPTION

This data sheet describes the Infineon Fast Ethernet/FDDI/ATM transceiver—part of Infineon Multistandard Transceiver Family. It is fully compliant with the Asynchronous Transfer Mode (ATM) OC-3 standard, the Fiber Distributed Data Interface (FDDI) Low Cost Fiber Physical Layer Medium Dependent (LCF-PMD) draft standard⁽¹⁾, and the FDDI PMD standard⁽²⁾.

ATM was developed because of the need for multimedia applications, including real time transmission. The data rate is scalable and the ATM protocol is the basis of the broadband public networks being standardized in the International Telegraph and Telephone Consultative Committee (CCITT). ATM can also be used in local private applications.

FDDI is a Dual Token Ring standard developed in the U.S. by the Accredited National Standards Committee (ANSC) X3T9, within the Technical Committee X3T9.5. It is applied to the local area networks of stations, transferring data at 100 Mbits/s with a 125 MBaud transmission rate. LCF FDDI is specially developed for short distance applications of up to 500 m (fiber-to-the-desk) as compared to 2 km for backbone applications.

Fast Ethernet was developed because of the higher bandwidth requirement in local area networking. It is based on the proven effectiveness of millions of installed Ethernet systems.

The Infineon multimode transceiver is a single unit comprised of a transmitter, a receiver, and an SC receptacle. This design frees the customer from many alignment and PC board layout concerns. The modules are designed for low cost applications.

The inputs/outputs are PECL compatible and the unit operates from a 3.0 V to 5.5 V power supply. As an option, the data output stages can be switched to static levels during absence of light, as indicated by the Signal Detect function. It can be directly interfaced with available chipsets.

Notes

1. FDDI Token Ring, Low Cost Fiber Physical Layer Medium Dependent (LCF-PMD) ANSI X3T9.5 / 92 LCF-PMD / Proposed Rev. 1.3, September 1, 1992. American National Standard.
2. FDDI Token Ring, Physical Layer Medium Dependent (PMD) ANSI X3.166-1990 American National Standard. ISO/IEC 9314-3: 1990.

Regulatory Compliance

Feature	Standard	Comments
Electromagnetic Interference (EMI)	FCC Class B EN 55022 Class B CISPR 22	Noise frequency range:30 MHz to 40 GHz
Immunity: Electrostatic Discharge	EN 61000-4-2 IEC 61000-4-2	Discharges of $\pm 15\text{kV}$ with an air discharge probe on the receptacle cause no damage.
Immunity: Radio Frequency Electromagnetic Field	EN 61000-4-3 IEC 61000-4-3	With a field strength of 10 V/m rms, noise frequency ranges from 10 MHz to 1 GHz
Eye Safety	IEC 825-1	Class 1

TECHNICAL DATA

The electro-optical characteristics described in the following tables are valid only for use under the recommended operating conditions.

Recommended Operating Conditions

Parameter	Symbol	Min.	Typ.	Max.	Units
Ambient Temperature	T_{AMB}	0		70	$^{\circ}\text{C}$
Power Supply Voltage	$V_{CC}-V_{EE}$	3		5.5	V
Supply Current 3.3 V	I_{CC}			230	mA
Supply Current 5 V ⁽¹⁾				260	
Transmitter					
Data Input High Voltage	$V_{IH}-V_{CC}$	-1165		-880	mV
Data Input Low Voltage	$V_{IL}-V_{CC}$	-1810		-1475	
Threshold Voltage	$V_{BB}-V_{CC}$	-1380		-1260	
Input Data Rise/Fall, 20%–80%	t_R, t_F	0.4		1.3	ns
Data High Time ⁽²⁾	t_{on}			1000	
Receiver					
Output Current	I_O			25	mA
Input Duty Cycle Distortion	t_{DCD}			1.0	
Input Data Dependent Jitter	t_{DDj}				ns
Input Random Jitter	t_{RJ}			0.76	
Input Center Wavelength	I_C	1260		1380	nm
Electrical Output Load ⁽³⁾	R_L		50		Ω

Notes

1. For $V_{CC}-V_{EE}$ (min., max.). 50% duty cycle. The supply current ($I_{CC2}+I_{CC3}$) does not include the load drive current (I_{CC1}). Add max. 45 mA for the three outputs. Load is 50 Ω into $V_{CC}-2V$.
2. To maintain good LED reliability, the device should not be held in the ON state for more than the specified time. Normal operation should be done with 50% duty cycle.
3. To achieve proper PECL output levels the 50 Ω termination should be done to $V_{CC}-2V$. For correct termination see the application notes.

Transmitter Electro-Optical Characteristics

Transmitter	Symbol	Min.	Typ.	Max.	Units
Data Rate	DR			170	MBaud
Launched Power (Average) into 62.5 μm Fiber for -C8-C10 ^(1, 2)	P _O	-20	-16	-14	dBm
Launched Power (Average) into 62.5 μm Fiber for -C8-C11 ^(1, 2)		-22	-17		
Center Wavelength ^(2, 3)	λ_C	1270		1360	nm
Spectral Width (FWHM) ^(2, 4)	D _I			170	
Output Rise/Fall Time, 10%–90% ^(2, 5)	t _R , t _F	0.6		2.5	ns
Temperature Coefficient of Optical Output Power	TC _p			0.03	dB/°C
Extinction Ratio (Dynamic) ^(2, 6)	ER			10	%
Optical Power Low ⁽⁷⁾	P _{TD}			-45	dBm
Overshoot	OS			10	%
Duty Cycle Distortion ^(8, 9)	t _{DCD}			0.6	ns
Data Dependent Jitter ^(8, 10)	t _{DDJ}			0.3	
Random Jitter ^(8, 11)	t _{RJ}			0.6	

Notes

- Measured at the end of 5 meters of 62.5/125/0.275 graded index fiber using calibrated power meter and a precision test ferrule. Cladding modes are removed. Values valid for EOL and worst-case temperature.
- The input data pattern is a 12.5 MHz square wave pattern.
- Center wavelength is defined as the midpoint between the two 50% levels of the optical spectrum of the LED.
- Spectral width (full width, half max) is defined as the difference between 50% levels of the optical spectrum of the LED.
- 10% to 90% levels. Measured using the 12.5 MHz square wave pattern with an optoelectronic measurement system (detector and oscilloscope) having 3 dB bandwidth ranging from less than 0.1 MHz to more than 750 MHz.
- Extinction Ratio is defined as PL/PH x 100%. Measurement system as in Note 5.
- Optical Power Low is the output power level when a steady state low data pattern (FDDI Quiet Line state) is used to drive the transmitter. Value valid <1 ms after input low.
- Test method as for FDDI-PMD. Jitter values are peak-to-peak.
- Duty Cycle Distortion is defined as 0.5 [(width of wider state) minus (width of narrower state)]. It is measured with stream of Idle Symbols (62.5 MHz square wave).
- Measured with the same pattern as for FDDI-PMD.
- Measured with the Halt Line state (12.5 MHz square wave).

Receiver Electro-Optical Characteristics

Receiver	Symbol	Min.	Typ.	Max.	Units
Data Rate	DR	5 ⁽¹⁾		170	MBaud
Sensitivity (Average Power) ⁽²⁾	P _{IN}		-33	-31	dBm
Sensitivity (Average Power) Center ⁽³⁾			-35.5		
Saturation (Average Power) ⁽³⁾	P _{SAT}	-14	-11		
Duty Cycle Distortion ^(4, 5)	t _{DCD}			1	ns
Deterministic Jitter ^(5, 6)	t _{DJ}			1	
Random Jitter ^(5, 7)	t _{RJ}				
Signal Detect Assert Level ⁽⁸⁾	P _{SDA}	-42.5		-30	dBm
Signal Detect Deassert Level ⁽⁹⁾	P _{SDD}	-45		-31.5	
Signal Detect Hysteresis	P _{SDA} -P _{SDD}	1.0			dB
Output Low Voltage ⁽¹⁰⁾	V _{OL} -V _{CC}	-1810		-1620	mV
Output High Voltage ⁽¹⁰⁾	V _{OH} -V _{CC}	-1025		-880	
Output Data Rise/Fall Time, 20%–80%	t _R , t _F			1.3	ns
Output SD Rise/Fall Time, 20%–80%				40	

Notes

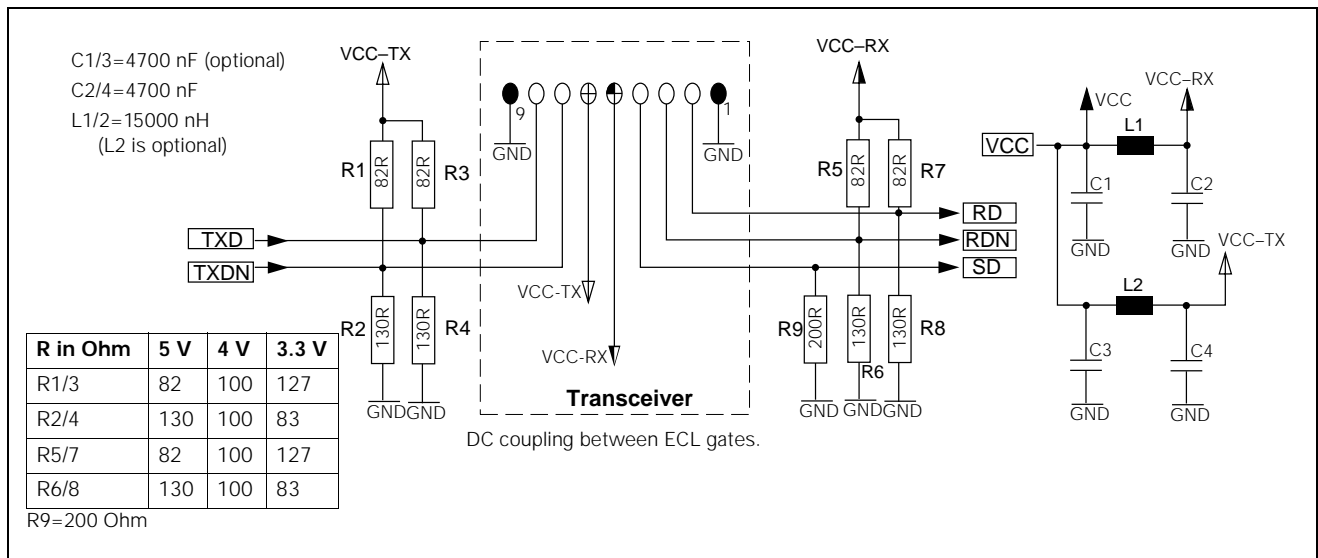
- Pattern: Manchester coding / NRZI (no scrambling)
- For a bit error rate (BER) of less than 1x10⁻¹² over a receiver eye opening of least 1.5 ns. Measured with a 2²³-1 PRBS at 155 MBd.
- For a BER of less than 1x10⁻¹². Measured in the center of the eye opening with a 2²³-1 PRBS at 155 MBd.
- Measured at an average optical power level of -20 dBm with a 62.5 MHz square wave.
- All jitter values are peak-to-peak. RX output jitter requirements are not considered in the ATM standard draft. In general the same requirements as for FDDI are met.
- Measured at an average optical power level of -20 dBm.
- Measured at -33 dBm average power.
- An increase in optical power through the specified level will cause the SIGNAL detect output to switch from a Low state to a High state.
- A decrease in optical power through the specified level will cause the SIGNAL detect output to switch from a High state to a Low state.
- PECL compatible. Load is 50 Ω into V_{CC} -2 V. Measured under DC conditions. For dynamic measurements a tolerance of 50 mV should be added for V_{CC}=5 V.

Pin Description

Pin Name	Level/Logic	Pin#	Description	
R _x V _{EE}	Rx Ground	Power Supply	1	Negative power supply, normally ground
RD	Rx Output Data	PECL Output	2	Receiver output data
RDn			3	Inverted receiver output data
RxSD	RX Signal Detect	PECL Output active high	4	High level on this output shows there is an optical signal.
R _x V _{CC}	Rx +3.3 V...5 V	Power Supply	5	Positive power supply, +3.3 V...5 V
T _x V _{CC}	Tx +3.3 V...5 V		6	
TxDn	Tx Input Data	PECL Input	7	Inverted transmitter input data
TxD			8	Transmitter input data
T _x V _{EE}	Tx Ground	Power Supply	9	Negative power supply, normally ground
Case	Support	Not Connected	S1/S2	Support stud, not connected

APPLICATION NOTE

Multimode 1300 nm ATM 1x9 Transceiver



The power supply filtering is required for good EMI performance. Use short tracks from the inductor L1/L2 to the module V_{CC}-RX/V_{CC}-TX.

A GND plane under the module is recommended for good EMI and sensitivity performance.

APPLICATION NOTE FOR MULTIMODE 1300 NM LED TRANSCEIVER

Solutions for connecting a Infineon 3.3 V Fiber Optic Transceiver to a 5.0 V Framer-/Phy-Device.

Figure 1. Common GND

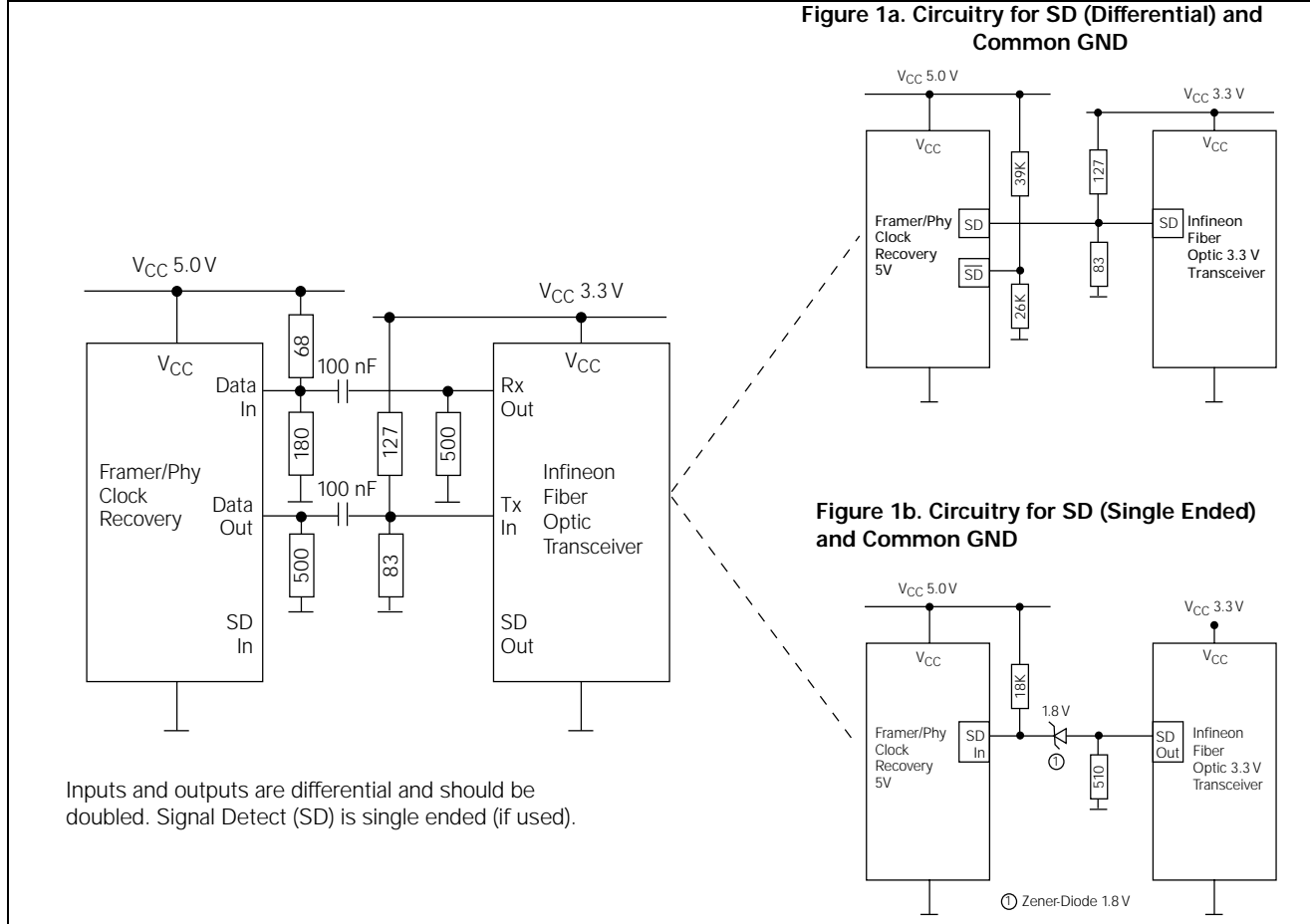
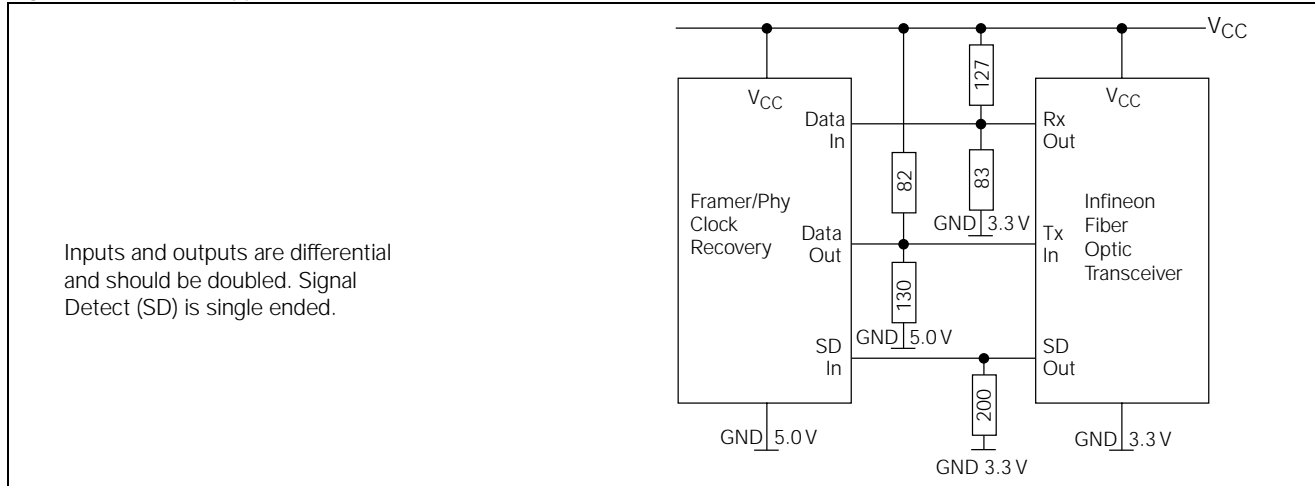


Figure 2. Common V_{CC}



Published by Infineon Technologies AG

**© Infineon Technologies AG 1999
All Rights Reserved**

Attention please!

The information herein is given to describe certain components and shall not be considered as warranted characteristics.
Terms of delivery and rights to technical change reserved.
We hereby disclaim any and all warranties, including but not limited to warranties of non-infringement, regarding circuits, descriptions and charts stated herein.
Infineon Technologies is an approved CECC manufacturer.

Information

For further information on technology, delivery terms and conditions and prices please contact the Infineon Technologies offices or our Infineon Technologies Representatives worldwide - see our webpage at www.infineon.com/fiberoptics

Warnings

Due to technical requirements components may contain dangerous substances. For information on the types in question please contact your Infineon Technologies offices.
Infineon Technologies Components may only be used in life-support devices or systems with the express written approval of Infineon Technologies, if a failure of such components can reasonably be expected to cause the failure of that life-support device or system, or to affect the safety or effectiveness of that device or system. Life support devices or systems are intended to be implanted in the human body, or to support and/or maintain and sustain and/or protect human life. If they fail, it is reasonable to assume that the health of the user or other persons may be endangered.

Infineon Technologies AG • Fiber Optics • Wernerwerkdamm 16 • Berlin D-13623, Germany
Infineon Technologies, Corp. • Fiber Optics • 19000 Homestead Road • Cupertino, CA 95014 USA
Infineon Technologies Japan K.K. • Fiber Optics • Takanawa Park Tower • 20-14, Higashi-Gotanda, 3-chome, Shinagawa-ku • Tokyo 141, Japan