

# MC33197A

## Advance Information

### Automotive Wash Wiper Timer

The MC33197A is a standard wiper timer control device designed for harsh automotive applications. The device can perform the intermittent, after wash, and continuous wiper timer functions. It is designed to directly drive a wiper motor relay. The MC33197A requires very few external components for full system implementation. The intermittent control pin can be switched to ground or  $V_{bat}$  to meet a large variety of possible applications. The intermittent timing can be fixed or adjustable via an external resistor. The MC33197A is built using bipolar technology and parametrically specified over the automotive ambient temperature range and 8.0 to 16 V supply voltage. The MC33197A can operate in both front and rear wiper applications.

- Adjustable Time Interval of Less Than 500 ms to More Than 30 s
- Intermittent Control Pin Can Be Switched to Ground or  $V_{bat}$
- Adjustable After Wipe Time
- Priority to Continuous Wipe
- Minimum Number of Timing Components
- Integrated Relay Driver With Free Wheeling Protection Diode
- Operating Voltage Range From 8.0 to 16 V
- For Front Wiper and Rear Wiper Window Applications

#### ORDERING INFORMATION

Device	Operating Temperature Range	Package
MC33197AD	$T_A = -40^\circ$ to $+105^\circ\text{C}$	SO-8
MC33197AP	$T_A = -40^\circ$ to $+125^\circ\text{C}$	DIP-8

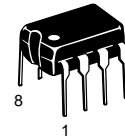
#### MAXIMUM RATINGS

Rating	Symbol	Value	Unit
Continuous Supply Voltage ( $V_{Pin\ 6}$ )	$V_{CC}$	16	V
Storage Temperature	$T_{stg}$	-55 to +150	$^\circ\text{C}$
Thermal Resistance (Junction-to-Ambient)	$R_{\theta JA}$		$^\circ\text{C/W}$
DIP-8 Package		100	
SO-8 Package		145	
Operating Ambient Temperature Range	$T_A$		$^\circ\text{C}$
DIP-8 Package		-40 to +125	
SO-8 Package		-40 to +105	
Operating Junction Temperature Range	$T_J$		$^\circ\text{C}$
Maximum Junction Temperature	$T_{J(max)}$	150	$^\circ\text{C}$

**NOTE:** ESD data available upon request.

### AUTOMOTIVE WASH WIPER TIMER

#### SEMICONDUCTOR TECHNICAL DATA

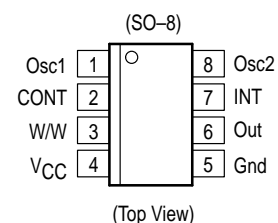
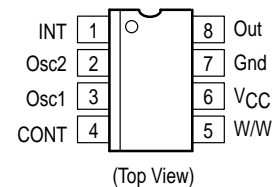


**P SUFFIX**  
PLASTIC PACKAGE  
CASE 626



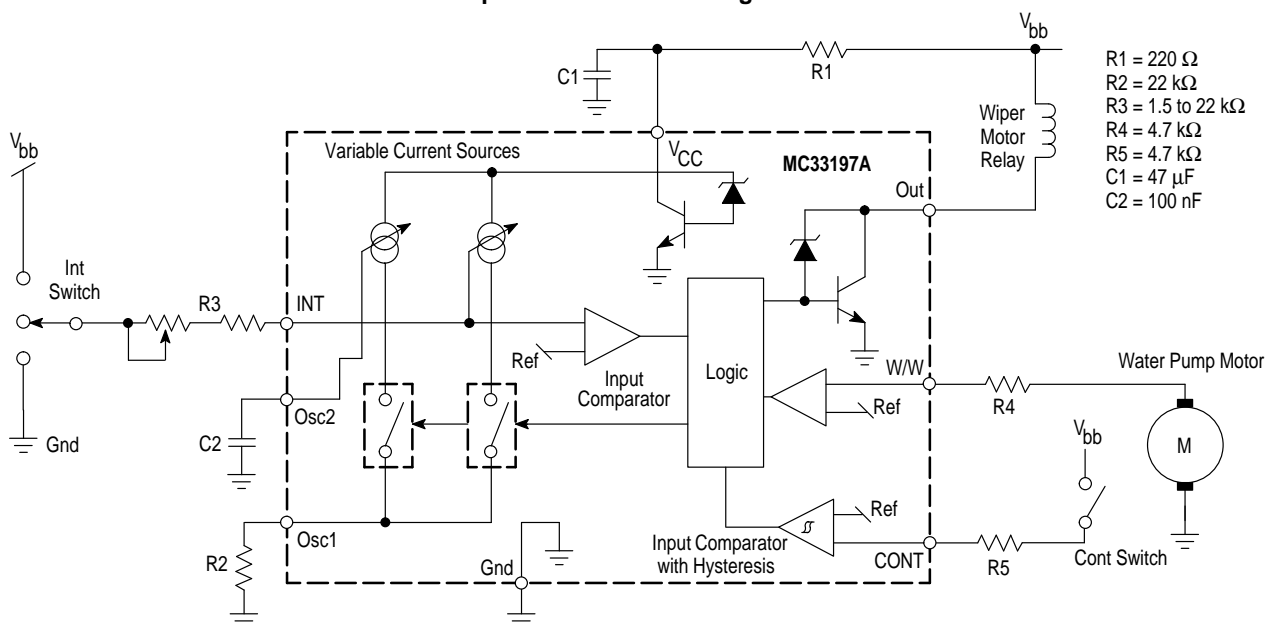
**D SUFFIX**  
PLASTIC PACKAGE  
CASE 751  
(SO-8)

#### PIN CONNECTIONS



# MC33197A

## Representative Block Diagram



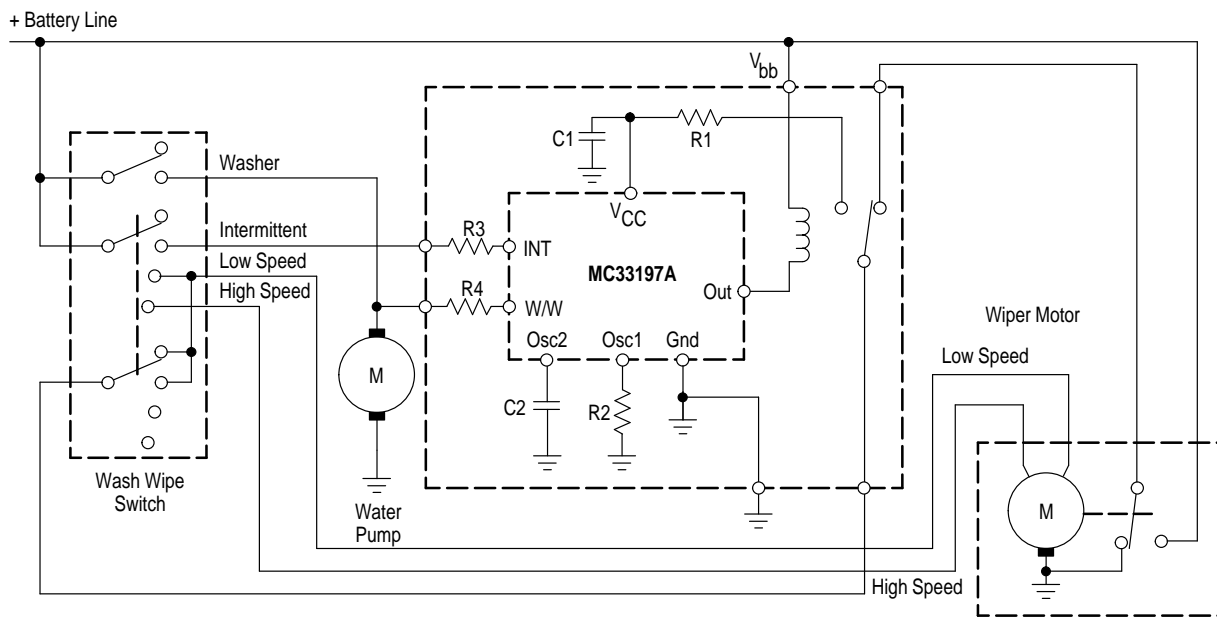
This device contains 390 active transistors.

**ELECTRICAL CHARACTERISTICS** ( $-40^{\circ}\text{C} \leq T_A \leq +125^{\circ}\text{C}$ ,  $8.0\text{ V} \leq V_{CC} \leq 16\text{ V}$ , unless otherwise noted. Typical values reflect approximate mean at  $T_A = 25^{\circ}\text{C}$  with  $V_{CC} = 14\text{ V}$  at the time of initial device characterization.)

Characteristic	Symbol	Min	Typ	Max	Unit
Functional Supply Voltage Range	$V_{CCF}$	8.0	–	18	V
Operating Supply Voltage Range	$V_{CCOP}$	8.0	–	16	V
Standby Supply Current ( $V_{CC} = 16\text{ V}$ , $R_2 = 68\text{ k}$ )	$I_{CC}$	–	4.0	5.2	mA
Supply Current INT Active ( $R_3 = 2.5\text{ k}$ )	$I_{CC}$	–	7.0	8.4	mA
Supply Current Relay “On” ( $R_2 = 68\text{ k}$ )	$I_{CC}$	–	7.5	11.2	mA
Supply Current INT and Relay “On” ( $R_2 = 68\text{ k}$ , $R_3 = 2.5\text{ k}$ )	$I_{CC}$	–	10	14.5	mA
Oscillator Variations with Supply Voltage and Temperature (excluding external component tolerances, $C_2 = 100\text{ nF}$ polyester capacitor) (Notes 1 & 2)	$K_{osc}$				%
10 V $\leq V_{bb} \leq 16\text{ V}$		–	10	–	
8.0 V $\leq V_{bb} \leq 16\text{ V}$		–	15	–	
Relay Resistance	$R_L$	60	–	–	$\Omega$
Output Voltage ( $I_{out} = 200\text{ mA}$ )	$V_{out}$	–	0.9	1.5	V
Output Clamp Voltage ( $I_{out} = 20\text{ mA}$ )	$V_{cl}$	19.5	–	22	V
Oscillator Period Coefficient ( $T_A = 25^{\circ}\text{C}$ )					–
$V_{bb} = 13\text{ V}$ (Note 3)	$t_{b1}$	0.98	1.0	1.03	
$V_{bb} = 13\text{ V}$ (INT Connected to Gnd) (Note 4)	$t_{b2g}$	15.1	15.5	15.9	
$V_{bb} = 13\text{ V}$ (INT Connected to $V_{bat}$ , $R_1 = 220\ \Omega$ ) (Note 4)	$t_{b2v}$	11.5	12.1	12.7	
CONT Threshold ( $V_{CC} = 13\text{ V}$ )	$V_{ih}$	6.0	–	8.5	V
CONT Threshold ( $V_{CC} = 16\text{ V}$ )	$V_{ih}$	–	$V_{CC}/2$	–	V

- NOTES:**
- The oscillator frequency is defined by the current flowing through the external resistor  $R_2$ . The voltage at the INT pin is  $(V_{CC}/2 - V_{be})$  and hence the current flowing through  $R_3$  is different if  $R_3$  is connected to  $V_{bb}$  or to Gnd because of the voltage drop across resistor  $R_1$ . This voltage drop causes the oscillator coefficient for  $t_{b2}$  to be different for the two cases of INT terminated to Gnd or to  $V_{bb}$ . Because of this, the oscillator coefficient is specified with a specific value of  $R_1$  whenever INT is connected to  $V_{bb}$ . If  $R_1$  is changed, the coefficient will change. Also, any extra current through the resistor  $R_1$  other than the current used by the device will cause timing deviations in  $t_{b2}$  timings (as in the case where two devices are sharing a common  $R_1$  resistor).
  - The oscillator stability with temperature is dependent on the temperature coefficients of the external components. If the capacitance value of the external capacitor varies more than 5% over the parametric temperature range, the figures quoted for oscillator variation are not valid.
  - The  $t_{b1}$  duration is given by coefficient  $4 \times R_2 \times C_2$  ( $t_{b1}$  duration =  $t_{b1} \times 4 \times R_2 \times C_2$ ).
  - The  $t_{b2}$  duration is given by coefficient  $x \times R_3 \times C_2$  ( $t_{b2}$  duration =  $t_{b2} \times R_3 \times C_2$ ).

Figure 1. Intermittent Wash Wiper Typical Application



This application shows the MC33197A with the external wirings and two speed wiper motor. This application has the Intermittent and Wash Wiper functions.

## INTRODUCTION

The MC33197A is a wiper timer control device designed for use in harsh automotive applications. The device can perform the intermittent, after wash, and continuous wiper timer functions.

The MC33197A is designed to directly drive a wiper motor relay. The MC33197A is suitable for both front and rear wiper applications. The MC33197A connects directly to the vehicle's battery voltage ( $V_{bat}$ ) through a 220  $\Omega$  resistor used with a 47  $\mu\text{F}$  de-coupling filter capacitor. The device has an internal oscillator controlled by one of two external resistors (R2 and R3) in addition to one external capacitor (C2), dependent on the application function required. The values of C2 and R2 determine the  $t_{b1}$  time base.  $T_{b1}$  is used to generate the relay wiper activation during the INT function (T3) and the after wash timing (T2) during the wash wipe mode. The values C2 and R3 determine the  $t_{b2}$  time base. The  $t_{b2}$  time base is used to generate the pause or intermittent time (T4).

The intermittent wiper function can generate intermittent timing (T4) from less than 500 ms to more than 30 seconds. The intermittent function of the device can be activated by the INT input connected to either ground or  $V_{bat}$ . The intermittent timing is externally adjustable by changing the value of resistor R3.

The wash wiper timer function detects the water pump motor's operation. When the pump motor activation is detected, the MC33197A turns the wiper on for the entire duration of the pump motor's activation. When the motor is turned off, it generates an after wash timing (T2) to maintain the wiping action. The W/W pin is connected to the water pump motor through a protection resistor (R4).

The MC33197A also has a continuous function, which activates the wiper relay whenever the CONT input is activated. The CONT input is connected to a switch through a protection resistor (R5). The CONT input comparator has an input threshold of  $V_{bb}/2$  with hysteresis.

The device has internal debounce circuitry, based on the oscillator period. This provides filtering of the intermittent (INT) and wash wipe (W/W) input signals (see T1 Debounce Timing paragraph that follows). The device directly drives the wiper motor relay. It internally incorporates a 20 V free wheeling zener diode to protect the device against overvoltage spikes produced when relay is switched off.

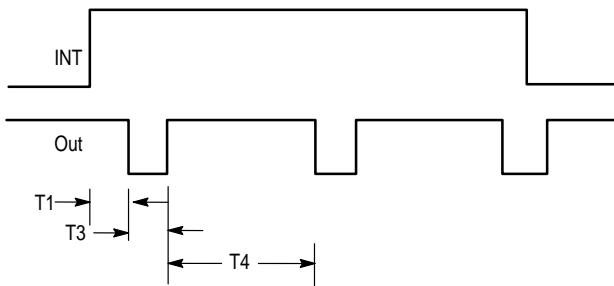
### Intermittent Operation

Conditions:

- W/W not connected or connected to ground.
- CONT not connected or connected to ground.
- INT connected to  $V_{bb}$  or to ground.

In this configuration, the circuit will respond to the switching of INT to either  $V_{bb}$  or ground after a time  $T_1$  (see  $T_1$  Debounce Timing). If INT is disconnected before the end of  $T_1$ ; no action will be taken. After a time  $T_1$ , the output will be switched on for a duration,  $T_3 = 16 \times 4 \times t_{b1}$  and then switched off for a duration,  $T_4 = 144 \times 4 \times t_{b2}$ . This sequence will continue to repeat so long as INT is disconnected from  $V_{bb}$  or ground for a time duration greater than  $T_1$ . If INT is disconnected during the time  $T_3$ ; the output will remain on for the remainder of  $T_3$ . This is illustrated in the diagram on Figure 2.

Figure 2. Switching Waveform INT Timing



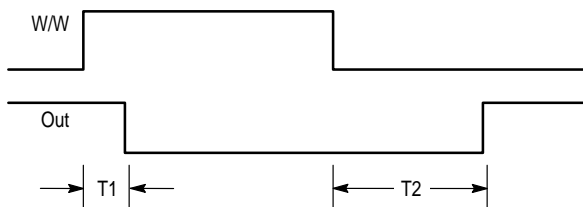
**Wash Wipe Operation**

Conditions:

- INT disconnected.
- CONT disconnected or connected to ground.

In this condition, the circuit will respond to the switching of W/W to  $V_{bb}$  after a time  $T_1$  (see  $T_1$  Debounce Timing). If W/W is disconnected or connected to ground before the end of  $T_1$ ; no action will be taken. After a time  $T_1$ ; the circuit will perform as shown on Figure 3. The output will turn on and remain on for the duration of W/W. When W/W becomes inactive, the output will remain on for  $T_2 = 96 \times 4 \times t_{b1}$ .

Figure 3. Switching Waveform W/W Timing



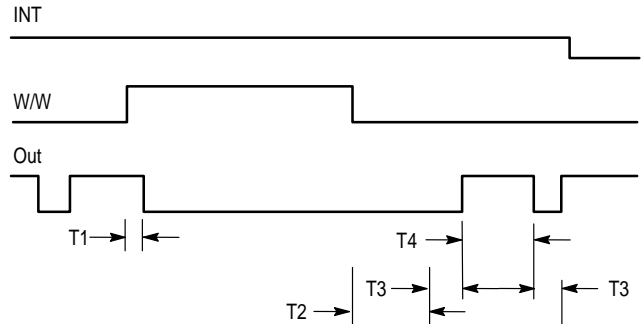
**Continuous Operation**

In this condition, the circuit responds to the switching of CONT to  $V_{bb}$ . If CONT is connected to  $V_{bb}$ , the output will turn on regardless of the state of any other input and remain on so long as CONT is active. This command operates directly on the relay output and does not interfere with any other timing. Therefore, the circuit will not be reset to a defined state.

**Wash Wiper and Intermittent Operation**

If W/W is activated during the time INT is also activated, the circuit will respond to W/W after a time  $T_1$  (see  $T_1$  Debounce Timing). The output will turn on after  $T_1$ , and stay on for a time  $T_2 + T_3$  after W/W is deactivated. Following this, normal operation of INT will occur. This is shown on Figure 4.

Figure 4. Switching Waveform W/W and INT Active



**$T_1$  Debounce Timing**

The criteria for an input signal to be detected is that it should be active at two successive negative internal clock edges. The inputs are sampled on the negative edge of the internal clock. If two consecutive samples are the same, the input is detected as being in that state. Hence the time  $T_1$  from a signal becoming active to the time that the circuit responds can be anytime from  $4 \times t_{b1}$  to  $2 \times 4 \times t_{b1}$  (due to synchronizing the input to the oscillator period) when the oscillator is oscillating with a time base of  $t_{b1}$  and  $4 \times t_{b2}$  to  $2 \times 4 \times t_{b2}$ , when the oscillator is oscillating with a time base of  $t_{b2}$ .

The following table summarizes all  $T_1$  debounce timings:

Condition	Debounce Time
INT Active	$4 \times t_{b1}$ to $2 \times 4 \times t_{b1}$
INT Inactive	$4 \times t_{b1}$ to $2 \times 4 \times t_{b1}$
W/W Active When INT Inactive	$4 \times t_{b1}$ to $2 \times 4 \times t_{b1}$
W/W Active When INT Active During $T_3$	$4 \times t_{b1}$ to $2 \times 4 \times t_{b1}$
W/W Active When INT Active During $T_4$	$4 \times t_{b2}$ to $2 \times 4 \times t_{b2}$

**Two MC33197A Devices Using One Decoupling Resistor and Capacitor**

Two devices may be connected to the power source using a common R1 resistor for protection against overvoltages. If this is done it should be noted that the current flowing through R1 is increased and hence the voltage drop across R1 is increased.

### Overvoltage Protection

In reference to the Block Diagram and Typical Application, all of the foregoing operational cases require:

$$R1 \geq 100 \Omega, C1 \geq 47 \mu\text{F}$$

$$R3 \geq 1.0 \text{ k}\Omega, R4 \geq 4.7 \text{ k}\Omega, R5 \geq 4.7 \text{ k}\Omega$$

The circuit will not operate during the transient conditions. By using the above component values, the circuit will be able to sustain the following overvoltages on  $V_{bb}$  without permanent damage:

1. +28 V for 5 minutes
2. -15 V for 5 minutes
3. -16 V cycled off for 1.0 minute
4. +80 V pulse decaying exponentially to 8.0 V in 400 ms repeated 3 times at 1.0 minute intervals.
5.  $\pm 300$  V pulse decaying exponentially to 30 V in 300 ms with a maximum energy of 1.0 Joule.
6.  $\pm 100$  V pulse decaying exponentially to 10 V in 2 ms.

### Recommended External Component Values

Below are the recommended component values to ensure the device will operate properly, and that all specified parameters will stay within their tolerances.

$R1$  should be greater than 100  $\Omega$ ; recommended value of 220  $\Omega$ .  $R1$  can be up to 500  $\Omega$ , but in this case the  $t_{b2v}$  parameter could be out of its specified value (see Electrical Characteristics and Note 1). Also, the minimum operating voltage range should be greater than 8.0 V. The following values should be adhered to:

$$10 \text{ k}\Omega \leq R2 \leq 68 \text{ k}\Omega$$

$$1.5 \text{ k}\Omega \leq R3 \leq 47 \text{ k}\Omega$$

$$R4 \geq 4.7 \text{ k}\Omega$$

$$R5 \geq 4.7 \text{ k}\Omega$$

$$C1 \geq 47 \mu\text{F}$$

$$47 \text{ nF} \leq C2 \leq 470 \text{ nF}$$

### Application Information

The following is an example of timing calculations using the following external components values:

$R2 = 22 \text{ k}\Omega$ ,  $R3 = 2.2 \text{ k}\Omega$ ,  $C2 = 100 \text{ nF}$  (Referring to Block Diagram and Typical Application).

Oscillator Time Base Calculation:

$$t_{b1} \text{ duration} = t_{b1} \times 4 \times R2 \times C2 = 1 \times 4 \times 27e3 \times 100e-9 = 10.8 \text{ ms}$$

$$t_{b2} \text{ duration}_g \text{ (INT to Gnd)} = t_{b2g} \times R3 \times C2 = 15.5 \times 2.2e3 \times 100e-9 = 3.41 \text{ ms}$$

$$t_{b2} \text{ duration}_v \text{ (INT to } V_{bb}) = t_{b2v} \times R3 \times C2 = 12.1 \times 2.2e3 \times 100e-9 = 2.66 \text{ ms}$$

Intermittent timing calculation:

$$T3 = 16 \times 4 \times t_{b1} \text{ duration} = 16 \times 4 \times 10.8 \text{ ms} = 691 \text{ ms}$$

$$T4 = 144 \times 4 \times t_{b2} \text{ duration}_g = 144 \times 4 \times 3.41 \text{ ms} = 1.96 \text{ s (INT connected to Gnd)}$$

$$T4 = 144 \times 4 \times t_{b2} \text{ duration}_v = 144 \times 4 \times 2.66 \text{ ms} = 1.53 \text{ s (INT connected to } V_{bb})$$

Wash wipe timing calculation:

$$T2 = 96 \times 4 \times t_{b1} = 96 \times 4 \times 10.8 \text{ ms} = 4.15 \text{ s}$$

T1 Debounce Time Calculation (see T1 Debounce Timing)

When oscillator is oscillating at  $t_{b1}$ :

$$T1 \text{ minimum} = 4 \times t_{b1} = 4 \times 10.8 \text{ ms} = 43.2 \text{ ms}$$

$$T1 \text{ maximum} = 2 \times 4 \times t_{b1} = 2 \times 4 \times 10.8 \text{ ms} = 86.4 \text{ ms}$$

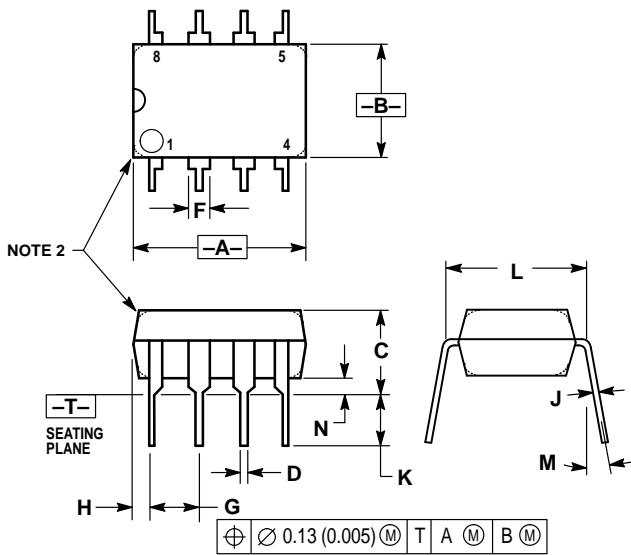
When oscillator is oscillating at  $t_{b2}$ :

$$T1 \text{ minimum (INT connected to Gnd, } t_{b2g}) = 4 \times t_{b2} = 4 \times 3.41 \text{ ms} = 13.6 \text{ ms}$$

$$T1 \text{ maximum (INT connected to Gnd, } t_{b2g}) = 2 \times 4 \times t_{b2} = 2 \times 4 \times 3.41 \text{ ms} = 27.3 \text{ ms}$$

OUTLINE DIMENSIONS

**P SUFFIX**  
 PLASTIC PACKAGE  
 CASE 626-05  
 ISSUE K

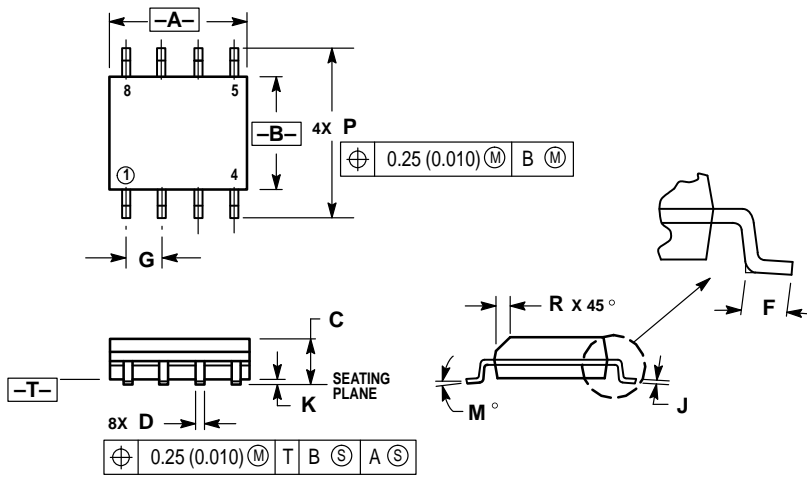


- NOTES:
1. DIMENSION L TO CENTER OF LEAD WHEN FORMED PARALLEL.
  2. PACKAGE CONTOUR OPTIONAL (ROUND OR SQUARE CORNERS).
  3. DIMENSIONING AND TOLERANCING PER ANSI Y14.5M, 1982.

DIM	MILLIMETERS		INCHES	
	MIN	MAX	MIN	MAX
A	9.40	10.16	0.370	0.400
B	6.10	6.60	0.240	0.260
C	3.94	4.45	0.155	0.175
D	0.38	0.51	0.015	0.020
F	1.02	1.78	0.040	0.070
G	2.54 BSC		0.100 BSC	
H	0.76	1.27	0.030	0.050
J	0.20	0.30	0.008	0.012
K	2.92	3.43	0.115	0.135
L	7.62 BSC		0.300 BSC	
M	10°		10°	
N	0.76	1.01	0.030	0.040


- STYLE 1:
- PIN 1. AC IN
  - DC + IN
  - DC - IN
  - AC IN
  - GROUND
  - OUTPUT
  - AUXILIARY
  - V<sub>CC</sub>

**D SUFFIX**  
 PLASTIC PACKAGE  
 CASE 751-05  
 (SO-8)  
 ISSUE N



- NOTES:
1. DIMENSIONING AND TOLERANCING PER ANSI Y14.5M, 1982.
  2. CONTROLLING DIMENSION: MILLIMETER.
  3. DIMENSIONS A AND B DO NOT INCLUDE MOLD PROTRUSION.
  4. MAXIMUM MOLD PROTRUSION 0.15 (0.006) PER SIDE.
  5. DIMENSION D DOES NOT INCLUDE DAMBAR PROTRUSION. ALLOWABLE DAMBAR PROTRUSION SHALL BE 0.127 (0.005) TOTAL IN EXCESS OF THE D DIMENSION AT MAXIMUM MATERIAL CONDITION.

DIM	MILLIMETERS		INCHES	
	MIN	MAX	MIN	MAX
A	4.80	5.00	0.189	0.196
B	3.80	4.00	0.150	0.157
C	1.35	1.75	0.054	0.068
D	0.35	0.49	0.014	0.019
F	0.40	1.25	0.016	0.049
G	1.27 BSC		0.050 BSC	
J	0.18	0.25	0.007	0.009
K	0.10	0.25	0.004	0.009
M	0° - 7°		0° - 7°	
P	5.80	6.20	0.229	0.244
R	0.25	0.50	0.010	0.019

Motorola reserves the right to make changes without further notice to any products herein. Motorola makes no warranty, representation or guarantee regarding the suitability of its products for any particular purpose, nor does Motorola assume any liability arising out of the application or use of any product or circuit, and specifically disclaims any and all liability, including without limitation consequential or incidental damages. "Typical" parameters which may be provided in Motorola data sheets and/or specifications can and do vary in different applications and actual performance may vary over time. All operating parameters, including "Typicals" must be validated for each customer application by customer's technical experts. Motorola does not convey any license under its patent rights nor the rights of others. Motorola products are not designed, intended, or authorized for use as components in systems intended for surgical implant into the body, or other applications intended to support or sustain life, or for any other application in which the failure of the Motorola product could create a situation where personal injury or death may occur. Should Buyer purchase or use Motorola products for any such unintended or unauthorized application, Buyer shall indemnify and hold Motorola and its officers, employees, subsidiaries, affiliates, and distributors harmless against all claims, costs, damages, and expenses, and reasonable attorney fees arising out of, directly or indirectly, any claim of personal injury or death associated with such unintended or unauthorized use, even if such claim alleges that Motorola was negligent regarding the design or manufacture of the part. Motorola and  are registered trademarks of Motorola, Inc. Motorola, Inc. is an Equal Opportunity/Affirmative Action Employer.

# MC33197A

**How to reach us:**

**USA/EUROPE/Locations Not Listed:** Motorola Literature Distribution;  
P.O. Box 20912; Phoenix, Arizona 85036. 1-800-441-2447 or 602-303-5454

**MFAX:** RMFAX0@email.sps.mot.com – TOUCHTONE 602-244-6609  
**INTERNET:** <http://Design-NET.com>

**JAPAN:** Nippon Motorola Ltd.; Tatsumi-SPD-JLDC, 6F Seibu-Butsuryu-Center,  
3-14-2 Tatsumi Koto-Ku, Tokyo 135, Japan. 03-81-3521-8315

**ASIA/PACIFIC:** Motorola Semiconductors H.K. Ltd.; 8B Tai Ping Industrial Park,  
51 Ting Kok Road, Tai Po, N.T., Hong Kong. 852-26629298



**MOTOROLA**



MC33197A/D

