



---

**12 Bits Shift Register Latched Constant Current Driver IC**

**PT6956**

---

## **DESCRIPTION**

PT6956 is a 12 bits shift register latched constant current driver IC utilizing CMOS Technology used to unify the luminance of the LED panel. It is equipped with serial I/O interface for multiple chips, cascading and serial input, parallel output for LED Interface. Pin assignments and application circuits are optimized for easy PCB layout and cost saving advantages.

## **FEATURES**

- CMOS Technology
- Serial I/O, Parallel Output Interface
- Constant Current Output (adjustable by external resistor for 50mA max.)
- Cascade Extension
- Available in 20 - pin, SO Package

## **APPLICATION**

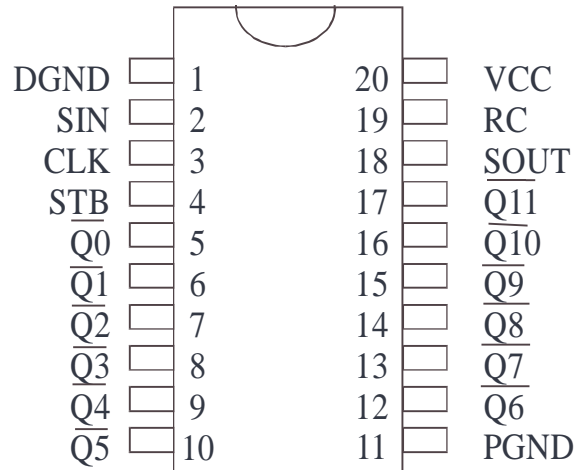
- LED Panel Driver



12 Bits Shift Register Latched Constant Current Driver IC

PT6956

PIN CONFIGURATION

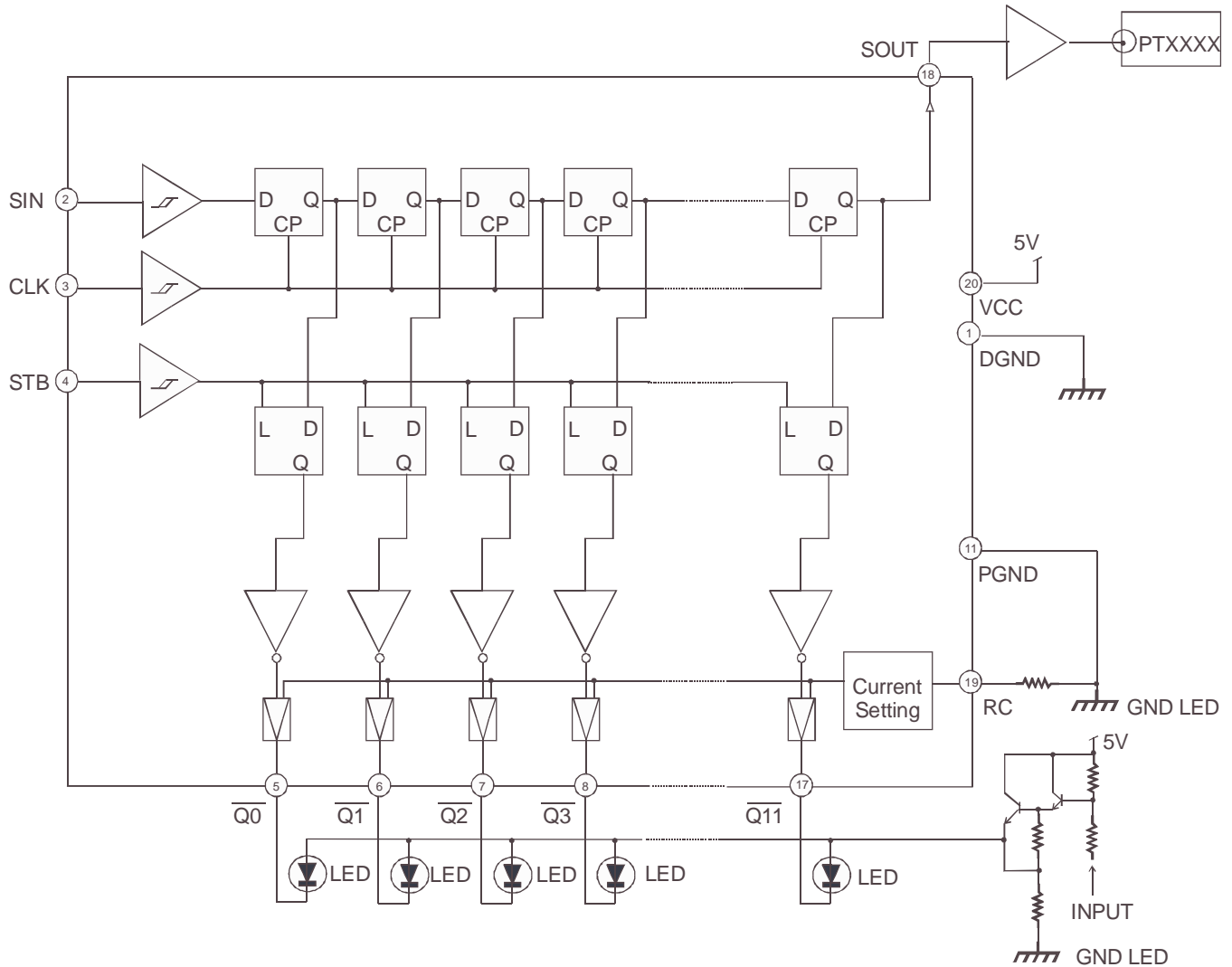




12 Bits Shift Register Latched Constant Current Driver IC

PT6956

APPLICATION CIRCUIT 1

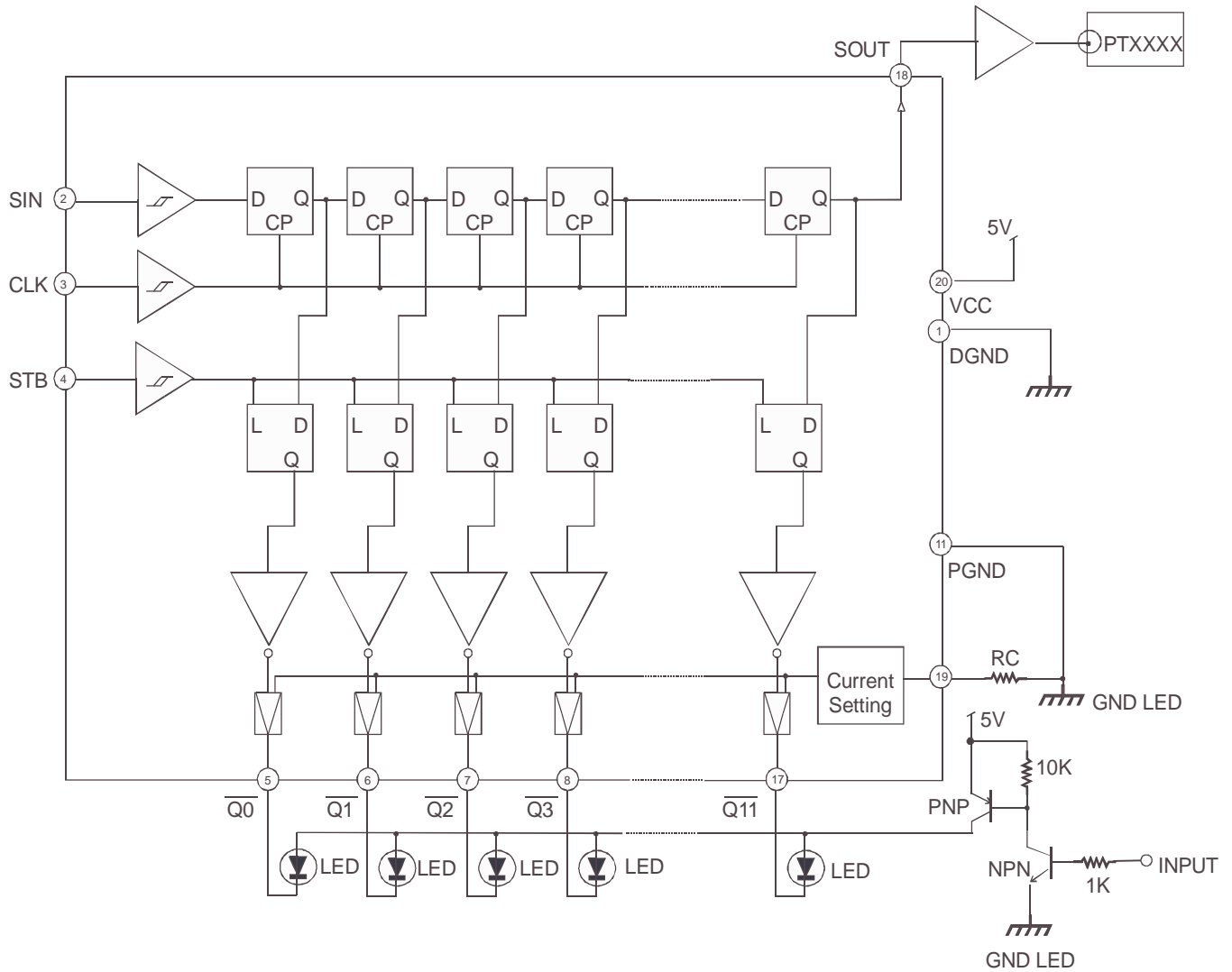




12 Bits Shift Register Latched Constant Current Driver IC

PT6956

APPLICATION CIRCUIT 2



ORDER INFORMATION

Part Number	Package Type
PT6956	20-Pin, SO Package (300 mil)