

**Direct Sequence Spread Spectrum Baseband Processor**



The Harris HFA3860B Direct Sequence Spread Spectrum (DSSS) baseband processor is part of the PRISM® 2.4GHz radio chipset, and contains all the functions necessary for a full or half duplex packet baseband transceiver.

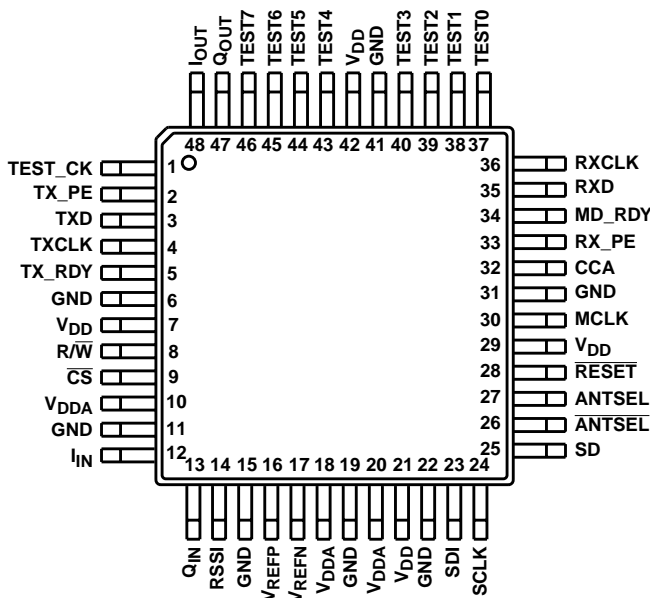
The HFA3860B has on-board A/Ds for analog I and Q inputs, for which the HFA3724/6 IF QMODEM is recommended. Differential phase shift keying modulation schemes DBPSK and DQPSK, with data scrambling capability, are available along with Complementary Code Keying and M-Ary Bi-Orthogonal Keying to provide a variety of data rates. Built-in flexibility allows the HFA3860B to be configured through a general purpose control bus, for a range of applications. A Receive Signal Strength Indicator (RSSI) monitoring function with on-board 6-bit A/D provides Clear Channel Assessment (CCA) to avoid data collisions and optimize network throughput. The HFA3860B is housed in a thin plastic quad flat package (TQFP) suitable for PCMCIA board applications.

**Ordering Information**

PART NO.	TEMP. RANGE (°C)	PKG. TYPE	PKG. NO.
HFA3860BIV	-40 to 85	48 Ld TQFP	Q48.7x7
HFA3860BIV96	-40 to 85	Tape and Reel	

**Pinout**

HFA3860B (TQFP)



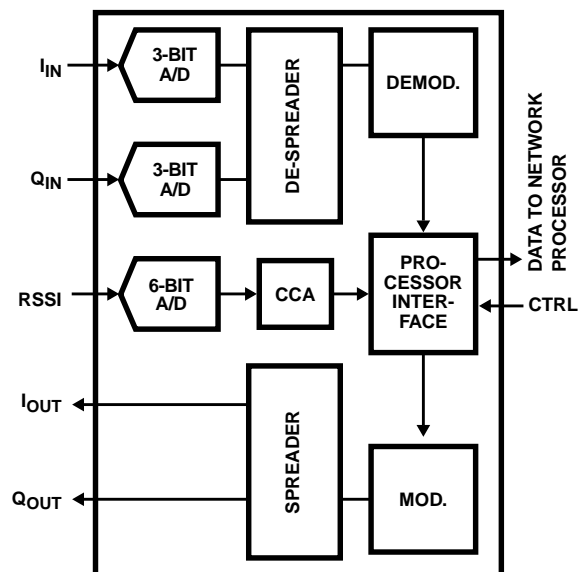
**Features**

- Complete DSSS Baseband Processor
- Processing Gain . . . . .  $\geq 10\text{dB}$
- Programmable Data Rate . . . . . 1, 2, 5.5, and 11MBPS
- Ultra Small Package . . . . . 7 x 7 x 1mm
- Single Supply Operation (44MHz Max) . . . . . 2.7V to 3.6V
- Modulation Methods . . DBPSK, DQPSK, CCK, and MBOK
- Supports Full or Half Duplex Operations
- On-Chip A/D Converters for I/Q Data (3-Bit, 22 MSPS) and RSSI (6-Bit)
- Backwards Compatible with HFA3824A, HFA3860A
- Supports Dual Antenna Diversity

**Applications**

- Enterprise WLAN Systems
- Systems Targeting IEEE 802.11 Standard
- DSSS PCMCIA Wireless Transceiver
- Spread Spectrum WLAN RF Modems
- TDMA Packet Protocol Radios
- Part 15 Compliant Radio Links
- Portable Bar Code Scanners/POS Terminal
- Portable PDA/Notebook Computer
- Wireless Digital Audio
- Wireless Digital Video
- PCN/Wireless PBX

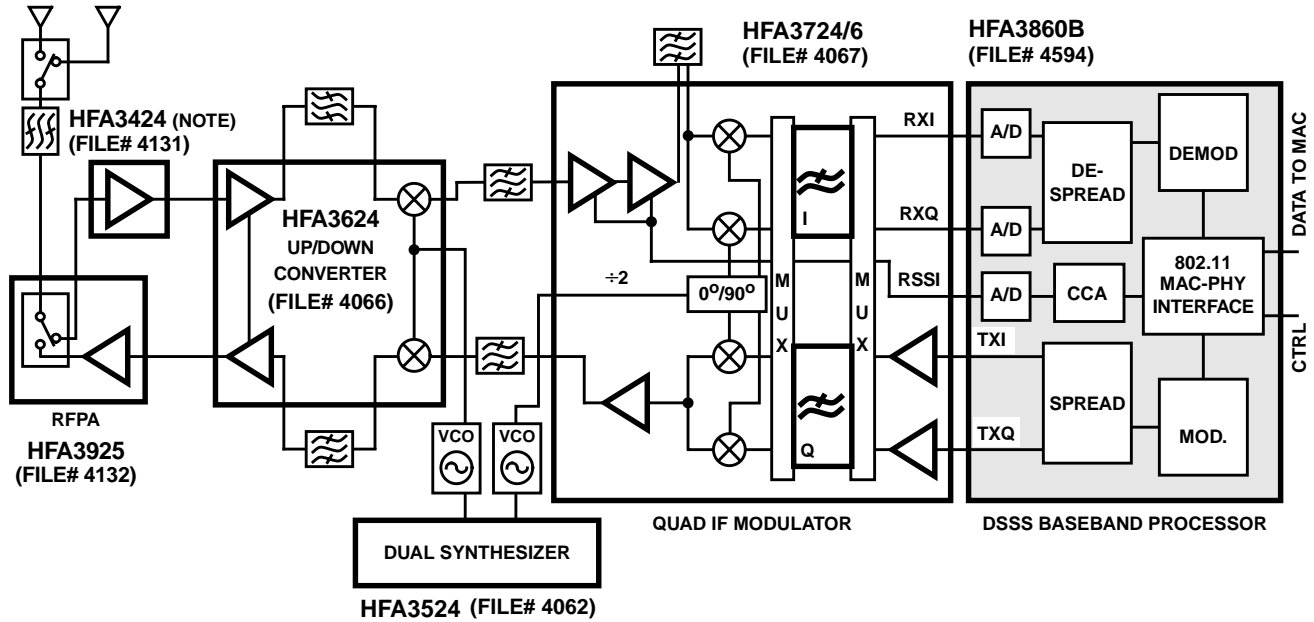
**Simplified Block Diagram**



**Table of Contents**

	<b>PAGE</b>
Ordering Information . . . . .	1
Pinout . . . . .	1
Simplified Block Diagram . . . . .	1
Typical Application Diagram . . . . .	3
Pin Descriptions . . . . .	3
External Interfaces . . . . .	5
Control Port (4 Wire) . . . . .	5
TX Port . . . . .	7
RX Port . . . . .	8
I/Q A/D Interface . . . . .	8
A/D Calibration Circuit and Registers . . . . .	9
RSSI A/D Interface . . . . .	10
Test Port . . . . .	10
Definitions . . . . .	11
Power Down Modes . . . . .	12
Transmitter Description . . . . .	12
Header/Packet Description . . . . .	13
Scrambler and Data Encoder Description . . . . .	14
Spread Spectrum Modulator Description . . . . .	15
CCK Modulation . . . . .	16
Clear Channel Assessment (CCA) and Energy Detect (ED) Description . . . . .	17
Demodulator Description . . . . .	18
Acquisition Description . . . . .	18
Two Antenna Acquisition (Recommended for Indoor Use) . . . . .	18
One Antenna Acquisition (Only Recommended if Multipath is Not Significant) . . . . .	19
Acquisition Signal Quality Parameters . . . . .	19
Procedure to Set Acq. Signal Quality Parameters Example . . . . .	21
PN Correlators Description . . . . .	21
Data Demodulation and Tracking Description (DBPSK and DQPSK Modes) . . . . .	22
Data Decoder and Descrambler Description . . . . .	22
Data Demodulation Description (BMBOK and QMBOK Modes) . . . . .	23
Data Demodulation in the CCK Modes . . . . .	23
Tracking . . . . .	25
Demodulator Performance . . . . .	25
Overall Eb/N0 Versus BER Performance . . . . .	25
Clock Offset Tracking Performance . . . . .	26
Carrier Offset Frequency Performance . . . . .	26
A Default Register Configuration . . . . .	27
Control Registers . . . . .	28
Test Circuit . . . . .	38
Thin Plastic Quad Flatpack Packages (TQFP) . . . . .	40

**Typical Application Diagram**



**TYPICAL TRANSCEIVER APPLICATION CIRCUIT USING THE HFA3860B**

NOTE: Required for systems targeting 802.11 specifications.

For additional information on the PRISM™ chip set, call (407) 724-7800 to access Harris' AnswerFAX system. When prompted, key in the four-digit document number (File #) of the data sheets you wish to receive.

The four-digit file numbers are shown in the Typical Application Diagram, and correspond to the appropriate circuit.

**Pin Descriptions**

NAME	PIN	TYPE I/O	DESCRIPTION
V <sub>DDA</sub> (Analog)	10, 18, 20	Power	DC power supply 2.7V - 3.6V (Not Hardwired Together On Chip).
V <sub>DD</sub> (Digital)	7, 21, 29, 42	Power	DC power supply 2.7 - 3.6V
GND (Analog)	11, 15, 19	Ground	DC power supply 2.7 - 3.6V, ground (Not Hardwired Together On Chip).
GND (Digital)	6, 22, 31, 41	Ground	DC power supply 2.7 - 3.6V, ground.
V <sub>REFN</sub>	17	I	"Negative" voltage reference for A/D's (I and Q) [Relative to V <sub>REFP</sub> ]
V <sub>REFP</sub>	16	I	"Positive" voltage reference for A/D's (I, Q and RSSI)
I <sub>IN</sub>	12	I	Analog input to the internal 3-bit A/D of the In-phase received data.
Q <sub>IN</sub>	13	I	Analog input to the internal 3-bit A/D of the Quadrature received data.
ANTSEL	26	O	The antenna select signal changes state as the receiver switches from antenna to antenna during the acquisition process in the antenna diversity mode. This is a complement for ANTSEL (pin 27) for differential drive of antenna switches.
ANTSEL	27	O	The antenna select signal changes state as the receiver switches from antenna to antenna during the acquisition process in the antenna diversity mode. This is a complement for ANTSEL (pin 26) for differential drive of antenna switches.
RSSI	14	I	Receive Signal Strength Indicator Analog input.

## HFA3860B

### Pin Descriptions (Continued)

NAME	PIN	TYPE I/O	DESCRIPTION
TX_PE	2	I	When active, the transmitter is configured to be operational, otherwise the transmitter is in standby mode. TX_PE is an input from the external Media Access Controller (MAC) or network processor to the HFA3860B. The rising edge of TX_PE will start the internal transmit state machine and the falling edge will initiate shut down of the state machine. TX_PE envelopes the transmit data except for the last bit. The transmitter will continue to run for 3 symbols after TX_PE goes inactive to allow the PA to shut down gracefully.
TXD	3	I	TXD is an input, used to transfer MAC Payload Data Unit (MPDU) data from the MAC or network processor to the HFA3860B. The data is received serially with the LSB first. The data is clocked in the HFA3860B at the rising edge of TXCLK.
TXCLK	4	O	TXCLK is a clock output used to receive the data on the TXD from the MAC or network processor to the HFA3860B, synchronously. Transmit data on the TXD bus is clocked into the HFA3860B on the rising edge. The clocking edge is also programmable to be on either phase of the clock. The rate of the clock will be dependent upon the data rate that is programmed in the signalling field of the header.
TX_RDY	5	O	TX_RDY is an output to the external network processor indicating that Preamble and Header information has been generated and that the HFA3860B is ready to receive the data packet from the network processor over the TXD serial bus. The TX_RDY returns to the inactive state when the last chip of the last symbol has been output.
CCA	32	O	Clear Channel Assessment (CCA) is an output used to signal that the channel is clear to transmit. The CCA algorithm makes its decision as a function of RSSI, Energy detect (ED), and Carrier Sense (CRS). The CCA algorithm and its features are described elsewhere in the data sheet. Logic 0 = Channel is clear to transmit. Logic 1 = Channel is NOT clear to transmit (busy). This polarity is programmable and can be inverted.
RXD	35	O	RXD is an output to the external network processor transferring demodulated Header information and data in a serial format. The data is sent serially with the LSB first. The data is frame aligned with MD_RDY.
RXCLK	36	O	RXCLK is the bit clock output. This clock is used to transfer Header information and payload data through the RXD serial bus to the network processor. This clock reflects the bit rate in use. RXCLK is held to a logic "0" state during the CRC16 reception. RXCLK becomes active after the SFD has been detected. Data should be sampled on the rising edge. This polarity is programmable and can be inverted.
MD_RDY	34	O	MD_RDY is an output signal to the network processor, indicating header data and a data packet are ready to be transferred to the processor. MD_RDY is an active high signal and it envelopes the data transfer over the RXD serial bus. MD_RDY goes active when the SFD is detected and returns to its inactive state when RX_PE goes inactive or an error is detected in the header.
RX_PE	33	I	When active, the receiver is configured to be operational, otherwise the receiver is in standby mode. This is an active high input signal. In standby, RX_PE inactive, all A/D converters are disabled.
SD	25	I/O	SD is a serial bidirectional data bus which is used to transfer address and data to/from the internal registers. The bit ordering of an 8-bit word is MSB first. The first 8 bits during transfers indicate the register address immediately followed by 8 more bits representing the data that needs to be written or read at that register.
SCLK	24	I	SCLK is the clock for the SD serial bus. The data on SD is clocked at the rising edge. SCLK is an input clock and it is asynchronous to the internal master clock (MCLK). The maximum rate of this clock is 11MHz or one half the master clock frequency, whichever is lower.
SDI	23	I	Serial Data Input in 3 wire mode described in Tech Brief 362. This pin is not used in the 4 wire interface described in this data sheet. It should not be left floating.
R/W	8	I	R/W is an input to the HFA3860B used to change the direction of the SD bus when reading or writing data on the SD bus. R/W also enables the serial shift register used in a read cycle. R/W must be set up prior to the rising edge of SCLK. A high level indicates read while a low level is a write.
$\overline{CS}$	9	I	$\overline{CS}$ is a Chip select for the device to activate the serial control port. The $\overline{CS}$ doesn't impact any of the other interface ports and signals, i.e., the TX or RX ports and interface signals. This is an active low signal. When inactive SD, SCLK, and R/W become "don't care" signals.
TEST 7:0	37, 38, 39, 40, 43, 44, 45, 46	O	This is a data port that can be programmed to bring out internal signals or data for monitoring. These bits are primarily reserved by the manufacturer for testing. A further description of the test port is given at the appropriate section of this data sheet.

**Pin Descriptions** (Continued)

NAME	PIN	TYPE I/O	DESCRIPTION
TEST_CK	1	O	This is the clock that is used in conjunction with the data that is being output from the test bus (TEST 0-7).
RESET	28	I	Master reset for device. When active TX and RX functions are disabled. If RESET is kept low the HFA3860B goes into the power standby mode. RESET does not alter any of the configuration register values nor does it preset any of the registers into default values. Device requires programming upon power-up.
MCLK	30	I	Master Clock for device. The nominal frequency of this clock is 44MHz. This is used internally to generate all other internal necessary clocks and is divided by 2 or 4 for the transceiver clocks.
I <sub>OUT</sub>	48	O	TX Spread baseband I digital output data. Data is output at the chip rate.
Q <sub>OUT</sub>	47	O	TX Spread baseband Q digital output data. Data is output at the chip rate.

NOTE: Total of 48 pins; ALL pins are used.

**External Interfaces**

There are three primary digital interface ports for the HFA3860B that are used for configuration and during normal operation of the device as shown in Figure 1. These ports are:

- The **Control Port**, which is used to configure, write and/or read the status of the internal HFA3860B registers.
- The **TX Port**, which is used to accept the data that needs to be transmitted from the network processor.
- The **RX Port**, which is used to output the received demodulated data to the network processor.

In addition to these primary digital interfaces the device includes a byte wide parallel **Test Port** which can be configured to output various internal signals and/or data. The device can also be set into various power consumption modes by external control. The HFA3860B contains three Analog to Digital (A/D) converters. The analog interfaces to the HFA3860B include, the In phase (I) and Quadrature (Q) data component inputs, and the RF signal strength indicator input. A reference voltage divider is also required external to the device.

**Control Port (4 Wire)**

The serial control port is used to serially write and read data to/from the device. This serial port can operate up to a 11MHz rate or 1/2 the maximum master clock rate of the device, MCLK (whichever is lower). MCLK must be running during programming. This port is used to program and to read all internal registers. The first 8 bits always represent the address followed immediately by the 8 data bits for that register. The two LSBs of address are don't care, but reserved for future expansion. The serial transfers are accomplished through the serial data pin (SD). SD is a bidirectional serial data bus. Chip Select (CS), and Read/Write (R/W) are also required as handshake signals for this port. The clock used in conjunction with the address and data on SD is SCLK. This clock is provided by the external source and it is an input to the HFA3860B. The timing relationships of these signals are illustrated in Figures 2 and 3. R/W is high when data is to be read, and low when it is to be written. CS is an asynchronous reset to the state machine. CS must be active (low) during the entire data transfer cycle. CS selects the serial control port device only. The serial control port operates asynchronously from the TX and RX ports and it can accomplish data transfers independent of the activity at the other digital or analog ports.

The HFA3860B has 34 internal registers that can be configured through the control port. These registers are listed in the Configuration and Control Internal Register table. Table 1 lists the configuration register number, a brief name describing the register, and the HEX address to access each of the registers. The type indicates whether the corresponding register is Read only (R) or Read/Write (R/W). Some registers are two bytes wide as indicated on the table (high and low bytes). To fully program the HFA3860B registers requires two writes of registers CR16 and CR17. This shadow register scheme extends the register compliment by two registers from 32 to 34 without requiring an additional address bit.

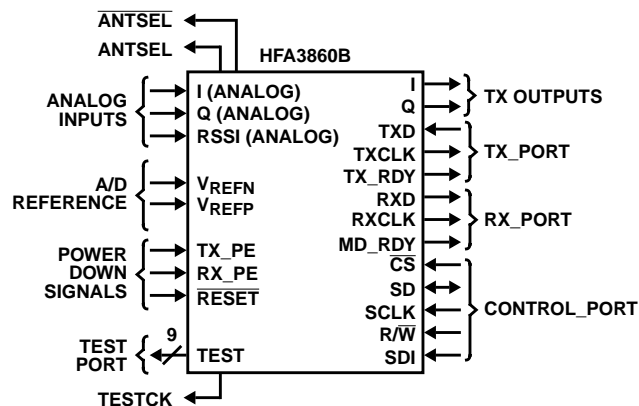
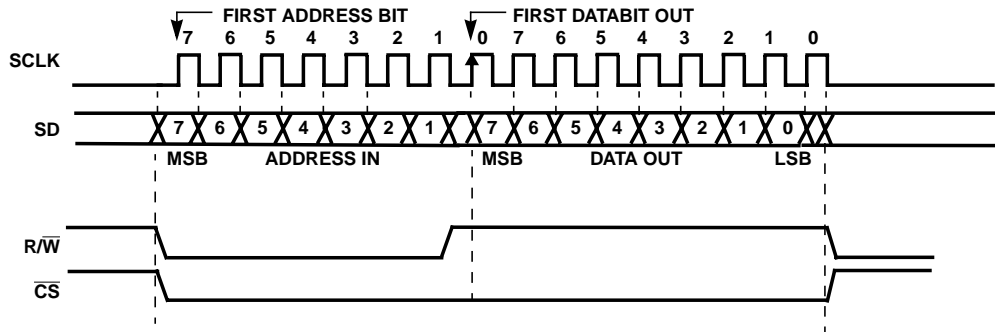


FIGURE 1. EXTERNAL INTERFACE



NOTES:

1. The HFA3860B always uses the rising edge of SCLK. SD,  $\overline{R/W}$  and CS hold times allow the controller to use either the rising or falling edge.
2. This port operates essentially the same as the HFA3824 with the exception that the AS signal of the 3824 is not required.

FIGURE 2. CONTROL PORT READ TIMING

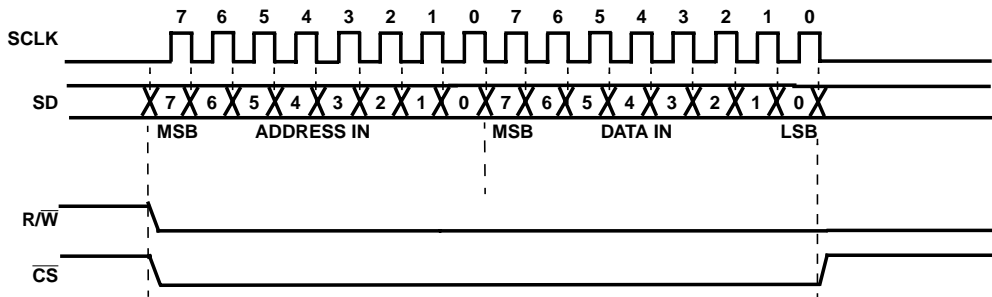


FIGURE 3. CONTROL PORT WRITE TIMING

TABLE 1. CONFIGURATION AND CONTROL INTERNAL REGISTER LIST

CONFIGURATION REGISTER	NAME	TYPE	REGISTER ADDRESS HEX
CR0	Part/Version Code	R	00
CR1	I/O Polarity	R/W	04
CR2	TX and RX Control	R/W	08
CR3	A/D_CAL_POS Register	R/W	0C
CR4	A/D_CAL_NEG Register	R/W	10
CR5	CCA Antenna Control	R/W	14
CR6	Preamble Length	R/W	18
CR7	Scramble_Tap (RX and TX)	R/W	1C
CR8	RX_SQ1_ACQ (High) Threshold	R/W	20
CR9	RX-SQ1_ACQ (Low) Threshold	R/W	24
CR10	RX_SQ2_ACQ (High) Threshold	R/W	28
CR11	RX-SQ2_ACQ (Low) Threshold	R/W	2C
CR12	SQ1 CCA Thresh (High)	R/W	30
CR13	SQ1 CCA Thresh (Low)	R/W	34
CR14	ED or RSSI Thresh	R/W	38
CR15	SFD Timer	R/W	3C

TABLE 1. CONFIGURATION AND CONTROL INTERNAL REGISTER LIST (Continued)

CONFIGURATION REGISTER	NAME	TYPE	REGISTER ADDRESS HEX
CR16 (Note 3)	Signal Field (BPSK - 11 Chip Sequence) or (Cover Code (Low))	R/W	40
CR17 (Note 3)	Signal Field (QPSK - 11 Chip Sequence) or (Cover Code (High))	R/W	44
CR18	Signal Field (BPSK - Mod. Walsh Sequence) or (CCK 5.5Mbps)	R/W	48
CR19	Signal Field (QPSK - Mod. Walsh Sequence) or (CCK 11Mbps)	R/W	4C
CR20	TX Signal Field	R/W	50
CR21	TX Service Field	R/W	54
CR22	TX Length Field (High)	R/W	58
CR23	TX Length Field (Low)	R/W	5C
CR24	RX Status	R	60
CR25	RX Service Field Status	R	64
CR26	RX Length Field Status (High)	R	68
CR27	RX Length Field Status (Low)	R	6C
CR28	Test Bus Address	R/W	70
CR29	Test Bus Monitor	R	74
CR30	Test Register 1, Must Load 00H	R/W	78
CR31	RX Control	R/W	7C

NOTE:

- To provide CCK functionality, these registers must be programmed in two passes. Once with CR5 bit 7 as a 0 and once with it as a 1.

**TX Port**

The transmit data port accepts the data that needs to be transmitted serially from an external data source. The data is modulated and transmitted as soon as it is received from the external data source. The serial data is input to the HFA3860B through TXD using the next rising edge of TXCLK to clock it in the HFA3860B. TXCLK is an output from the HFA3860B. A timing scenario of the transmit signal handshakes and sequence is shown on timing diagram Figure 4.

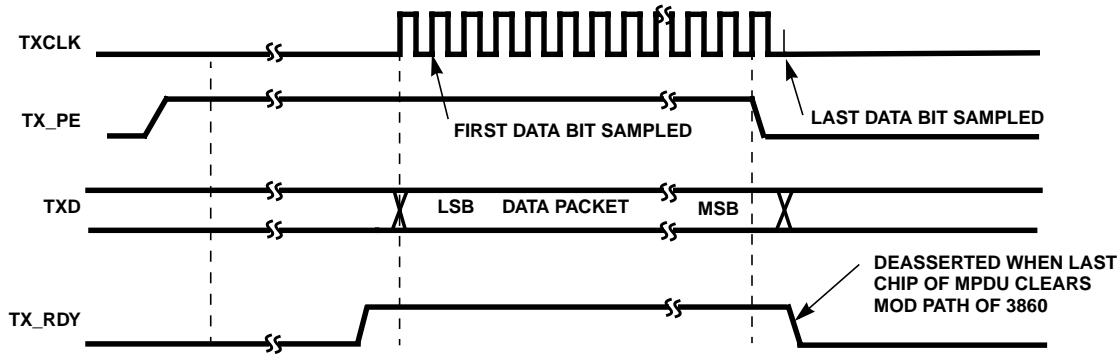
The external processor initiates the transmit sequence by asserting TX\_PE. TX\_PE envelopes the transmit data packet on TXD. The HFA3860B responds by generating a Preamble and Header. Before the last bit of the Header is sent, the HFA3860B begins generating TXCLK to input the serial data on TXD. TXCLK will run until TX\_PE goes back to its inactive state indicating the end of the data packet. The user needs to hold TX\_PE high for as many clocks as there bits to transmit. For the higher data rates, this will be in multiples of the number of bits per symbol. The HFA3860B will continue to output modulated signal for 2µs after the last data bit is output, to supply bits to flush the modulation path. TX\_PE must be held until the last data bit is output from the MAC/FIFO. The minimum TX\_PE inactive pulse required to

restart the preamble and header generation is 2.22µs and to reset the modulator is 4.22µs.

The HFA3860B internally generates the preamble and header information from information supplied via the control registers. The external source needs to provide only the data portion of the packet and set the control registers. The timing diagram of this process is illustrated on Figure 4. Assertion of TX\_PE will initialize the generation of the preamble and header. TX\_RDY, which is an output from the HFA3860B, is used to indicate to the external processor that the preamble has been generated and the device is ready to receive the data packet (MPDU) to be transmitted from the external processor. Signals TX\_RDY, TX\_PE and TXCLK can be set individually, by programming Configuration Register (CR) 1, as either active high or active low signals.

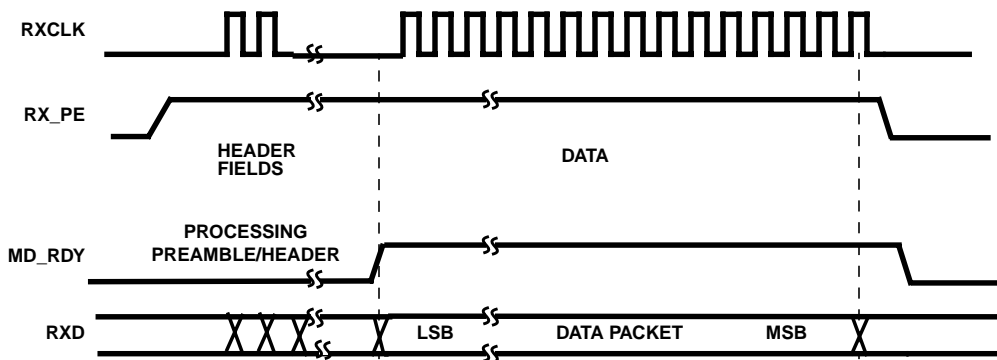
The transmit port is completely independent from the operation of the other interface ports including the RX port, therefore supporting a full duplex mode.





NOTE: Preamble/Header and Data is transmitted LSB first. TXD shown generated from rising edge of TXCLK.

FIGURE 4. TX PORT TIMING



NOTE: MD\_RDY active after CRC16. See detailed timing diagrams (see Figures 22, 23, 24).

FIGURE 5. RX PORT TIMING

### RX Port

The timing diagram Figure 5 illustrates the relationships between the various signals of the RX port. The receive data port serially outputs the demodulated data from RXD. The data is output as soon as it is demodulated by the HFA3860B. RX\_PE must be at its active state throughout the receive operation. When RX\_PE is inactive the device's receive functions, including acquisition, will be in a stand by mode.

RXCLK is an output from the HFA3860B and is the clock for the serial demodulated data on RXD. MD\_RDY is an output from the HFA3860B and it may be set to go active after SFD or CRC fields. Note that RXCLK becomes active after the Start Frame Delimiter (SFD) to clock out the Signal, Service, and Length fields, then goes inactive during the header CRC field. RXCLK becomes active again for the data. MD\_RDY returns to its inactive state after RX\_PE is deactivated by the external controller, or if a header error is detected. A header error is either a failure of the CRC check, or the failure of the received signal field to match one of the 4 programmed signal fields. For either type of header error, the HFA3860B will reset itself after reception

of the CRC field. If MD\_RDY had been set to go active after CRC, it will remain low.

MD\_RDY and RXCLK can be configured through CR 1, bit 6-7 to be active low, or active high. The receive port is completely independent from the operation of the other interface ports including the TX port, supporting therefore a full duplex mode.

### I/Q A/D Interface

The PRISM baseband processor chip (HFA3860B) includes two 3-bit Analog to Digital converters (A/Ds) that sample the analog input from the IF down converter. The I/Q A/D clock, samples at twice the chip rate. The nominal sampling rate is 22MHz.

The interface specifications for the I and Q A/Ds are listed in Table 2.



TABLE 2. I, Q, A/D SPECIFICATIONS

PARAMETER	MIN	TYP	MAX
Full Scale Input Voltage ( $V_{P-P}$ )	0.25	0.50	1.0
Input Bandwidth (-0.5dB)	-	20MHz	-
Input Capacitance (pF)	-	5	-
Input Impedance (DC)	5k $\Omega$	-	-
FS (Sampling Frequency)	-	22MHz	-

The voltages applied to pin 16,  $V_{REFP}$  and pin 17,  $V_{REFN}$  set the references for the internal I and Q A/D converters. In addition,  $V_{REFP}$  is also used to set the RSSI A/D converter reference. For a nominal I/Q input of 500mV $_{P-P}$ , the suggested  $V_{REFP}$  voltage is 1.75V, and the suggested  $V_{REFN}$  is 0.86V.  $V_{REFN}$  should never be less than 0.25V.

Figure 6 illustrates the suggested interface configuration for the A/Ds and the reference circuits.

Since these A/Ds are intended to sample AC voltages, their inputs are biased internally and they should be capacitively coupled. The HPF corner frequency in the baseband receive path should be less than 1kHz.

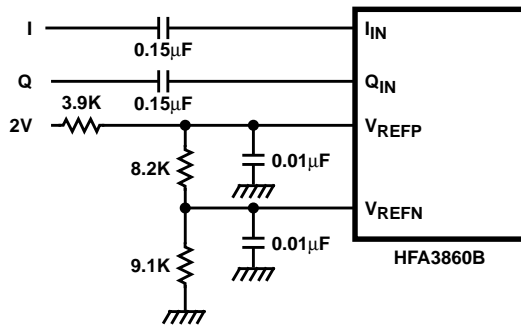


FIGURE 6. INTERFACES

The A/D section includes a compensation (calibration) circuit that automatically adjusts for temperature and component variations of the RF and IF strips. The variations in gain of limiters, AGC circuits, filters etc. can be compensated for up to  $\pm 4$ dB. Without the compensation circuit, the A/Ds could see a loss of up to 1.5 bits of the 3 bits of quantization. The A/D calibration circuit adjusts the A/D reference voltages to maintain optimum quantization of the IF input over this variation range. It works on the principle of setting the reference to insure that the signal is at full scale (saturation) a certain percentage of the time. Note that this is not an AGC and it will compensate only for slow variations in signal levels (several seconds).

The procedure for setting the A/D references to accommodate various input signal voltage levels is to set the reference voltages so that the A/D calibration circuit is operating at half scale with the nominal input. This leaves the maximum amount of adjustment room for circuit tolerances.

### A/D Calibration Circuit and Registers

The A/D compensation or calibration circuit is designed to optimize A/D performance for the I and Q inputs by maintaining the full 3-bit resolution of the outputs. There are two registers (CR 3 AD\_CAL\_POS and CR 4 AD\_CAL\_NEG) that set the parameters for the internal I and Q A/D calibration circuit.

Both I and Q A/D outputs are monitored by the A/D calibration circuit as shown in Figure 7 and if either has a full scale value, a 24-bit accumulator is incremented as defined by parameter AD\_CAL\_POS. If neither has a full scale value, the accumulator is decremented as defined by parameter AD\_CAL\_NEG. The output of this accumulator is used to drive D/A converters that adjust the A/D's references. Loop gain reduction is accomplished by using only the 5 MSBs out of the 24 bits. The compensation adjustment is updated at a 1kHz rate. The A/D calibration circuit is only intended to remove slow component variations.

For best performance, the optimum probability that either the I or Q A/D converter is at the saturation level was determined to be 50%. The probability P is set by the formula:

$$P(AD\_CAL\_POS) + (1-P)(AD\_CAL\_NEG) = 0.$$

One solution to this formula for  $P = 1/2$  is:

$$AD\_CAL\_POS = 1$$

$$AD\_CAL\_NEG = -1$$

This also sets the levels so that operation with either NOISE or SIGNAL is approximately the same. It is assumed that the RF and IF sections of the receiver have enough gain to cause limiting on thermal noise. This will keep the levels at the A/D approximately the same regardless of whether signal is present or not. The A/D calibration is normally set to work only while the receiver is tracking, but it can be set to operate all the time the receiver is on or it can be turned off and held at mid scale.

The A/D calibration circuit operation can be defined through CR 2, bits 3 and 4. Table 3 illustrates the possible configurations. The A/D Cal function should initially be programmed for mid scale operation to preset it, then programmed for either tracking mode. This initializes the part for most rapid settling on the appropriate values.

TABLE 3. A/D CALIBRATION

CR 2 BIT 4	CR 2 BIT 3	A/D CALIBRATION CIRCUIT CONFIGURATION
0	0	OFF, Reference set at mid scale.
0	1	OFF, Reference set at mid scale.
1	0	A/D_Cal while tracking only.
1	1	A/D_Cal while RX_PE active.

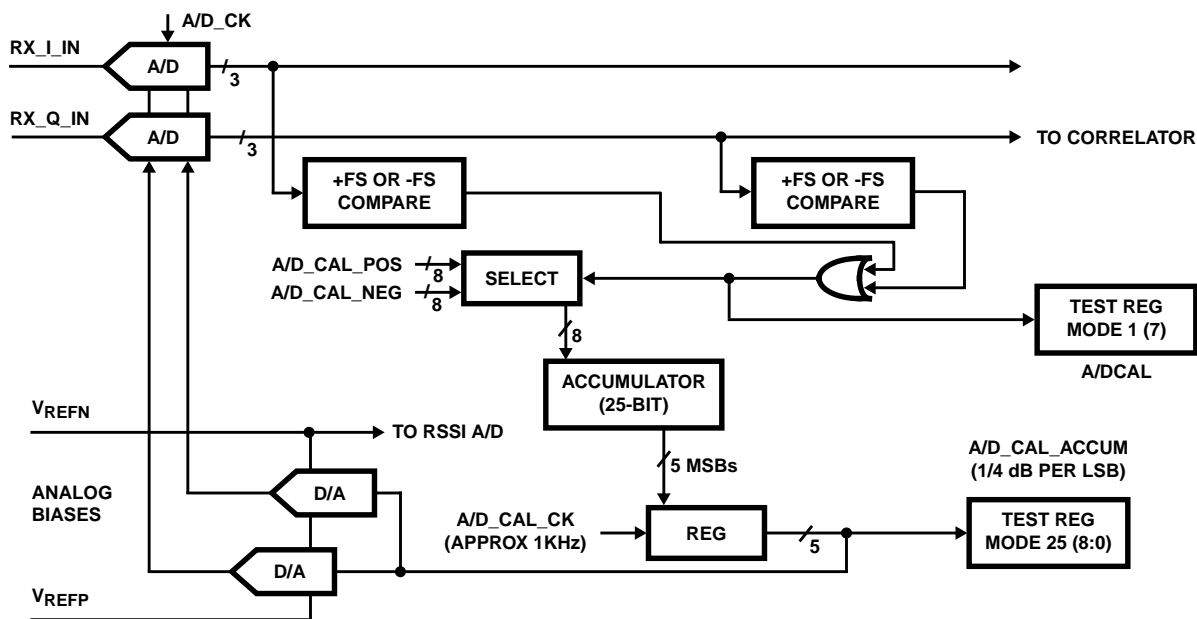


FIGURE 7. A/D CAL CIRCUIT

### RSSI A/D Interface

The Receive Signal Strength Indication (RSSI) analog signal is input to a 6-bit A/D, indicating 64 discrete levels of received signal strength. This A/D measures a DC voltage, so its input must be DC coupled. Pin 16 ( $V_{REFP}$ ) sets the reference for the RSSI A/D converter.  $V_{REFP}$  is common for the I and Q and RSSI A/Ds. The RSSI signal is used as an input to the Clear Channel Assessment (CCA) algorithm of the HFA3860B. The RSSI A/D output is stored in an 6-bit register available via the TEST Bus and the TEST Bus monitor register. CCA is further described on page 17.

The interface specifications for the RSSI A/D are listed in Table 4 below ( $V_{REFP} = 1.75V$ ).

TABLE 4. RSSI A/D SPECIFICATIONS

PARAMETER	MIN	TYP	MAX
Full Scale Input Voltage	-	-	1.15
Input Bandwidth (0.5dB)	1MHz	-	-
Input Capacitance	-	7pF	-
Input Impedance (DC)	1M	-	-

### Test Port

The HFA3860B provides the capability to access a number of internal signals and/or data through the Test port, pins TEST 7:0. In addition pin 1 (TEST\_CLK) is an output that can be used in conjunction with the data coming from the test port outputs. The test port is programmable through configuration register (CR28). Any signal on the test port can also be read from configuration register (CR29) via the serial control port.

There are 32 modes assigned to the PRISM test port. Some are only applicable to factory test.

TABLE 5. TEST MODES

MODE	DESCRIPTION	TEST_CLK	TEST (7:0)
0	Quiet Test Bus	0	00
1	RX Acquisition Monitor	Initial Detect	A/D Cal, CRS, ED, Track, SFD Detect, Signal Field Ready, Length Field Ready, Header CRC Valid
2	TX Field Monitor	IQMARK	A/D Cal, TXPE Internal, Preamble Start, SFD Start, Signal Field Start, Length Field Start, CRC Start, MPDU Start
3	RSSI Monitor	RSSI Pulse	CSE Latched, CSE, RSSI Out (5:0)
4	SQ1 Monitor	Pulse after SQ is valid	SQ1 (7:0)
5	SQ2 Monitor	Pulse after SQ is valid	SQ2 (7:0)
6	Correlator Lo Rate	Sample CLK	Correlator Magnitude (7:0)
7	Freq Test Lo Rate	Subsample CLK	Frequency Register (18:11)
8	Phase Test Lo Rate	Subsample CLK	Phase Register (7:3) Shift <2:0>
9	NCO Test Lo Rate	Subsample CLK	NCO Register (15:8)
10 (0Ah)	Bit Sync Accum Lo Rate	Enable	Bit Sync Accum (7:3) Shift (2:0)

TABLE 5. TEST MODES (Continued)

MODE	DESCRIPTION	TEST_CLK	TEST (7:0)
11	Reserved	Reserved	Factory Test Only
12	A/D Cal Test Mode	A/D Cal CLK	A/D Cal, ED, A/D Cal Disable, ADCal (4:0)
13	Correlator I High Rate	Sample CLK	Correlator I (8:1)/CCK Magnitude
14	Correlator Q High Rate	Sample CLK	Correlator Q (8:1)/CCK Quality
15	Chip Error Accumulator	0	Chip Error Accum (14:7)
16	NCO Test Hi Rate	Sample CLK	NCO Accum (19:12)
17	Freq Test Hi Rate	Sample CLK	Lag Accum (18:11)
18	Carrier Phase Error Hi Rate	Sample CLK	Carrier Phase Error (6,6:0)
19	Reserved	Sample CLK	Factory Test Only
20	Reserved	Sample CLK	Factory Test Only
21	I_A/D, Q_A/D	Sample CLK	0,0,I_A/D (2:0),Q_A/D (2:0)
22	Reserved	Reserved	Factory Test Only
23	Reserved	Reserved	Factory Test Only
24	Reserved	Reserved	Factory Test Only
25	A/D Cal Accum Lo	A/D Cal Accum (8)	A/D Cal Accum (7:0)
26	A/D Cal Accum Hi	A/D Cal Accum (17)	A/D Cal Accum (16:9)
27	Freq Accum Lo	Freq Accum (15)	Freq Accum (14:7)
28	Reserved	Reserved	Factory Test Only
29	SQ2 Monitor Hi	Pulse After SQ Valid	SQ2 (15:8)
30-31	Reserved	Reserved	Factory Test Only

**Definitions**

**ED.** Energy Detect, indicates that the RSSI value exceeds its programmed threshold.

**CRS.** Carrier Sense, indicates that a signal has been acquired (PN acquisition).

**TXCLK.** Transmit clock.

**Track.** Indicates start of tracking and start of SFD time-out.

**SFD Detect.** Variable time after track starts.

**Signal Field Ready.** ~ 8μs after SFD detect.

**Length Field Ready.** ~ 32μs after SFD detect.

**Header CRC Valid.** ~ 48μs after SFD detect.

**DCLK.** Data bit clock.

**FrqReg.** Contents of the NCO frequency register.

**PhaseReg.** Phase of signal after carrier loop correction.

**NCO PhaseAccumReg.** Contents of the NCO phase accumulation register.

**SQ1.** Signal Quality measure #1. Contents of the bit sync accumulator. Eight MSBs of most recent 16-bit stored value.

**SQ2.** Signal Quality measure #2. Signal phase variance after removal of data. Eight MSBs of most recent 16-bit stored value.

**Sample CLK.** Receive clock (RX sample clock). Nominally 22MHz.

**Subsample CLK.** LO rate symbol clock. Nominally 1MHz.

**BitSyncAccum.** Real time monitor of the bit synchronization accumulator contents, mantissa only.

**A/D\_Cal\_ck.** Clock for applying A/D calibration corrections.

**A/D Cal.** 5-bit value that drives the D/A adjusting the A/D reference.

TABLE 6. POWER DOWN MODES

MODE	RX_PE	TX_PE	RESET	AT 44MHz	DEVICE STATE
<b>SLEEP</b>	Inactive	Inactive	Active	600μA	Both transmit and receive functions disabled. Device in sleep mode. Control Interface is still active. Register values are maintained. Device will return to its active state within 10μs plus settling time of AC coupling capacitors (about 5ms).
<b>STANDBY</b>	Inactive	Inactive	Inactive	7mA	Both transmit and receive operations disabled. Device will resume its operational state within 1μs of RX_PE or TX_PE going active.
<b>TX</b>	Inactive	Active	Inactive	10mA	Receiver operations disabled. Receiver will return in its operational state within 1μs of RX_PE going active.
<b>RX</b>	Active	Inactive	Inactive	29mA	Transmitter operations disabled. Transmitter will return to its operational state within 2 MCLKs of TX_PE going active.
<b>NO CLOCK</b>	I <sub>CC</sub> Standby		Active	300μA	All inputs at V <sub>CC</sub> or GND.

## **Power Down Modes**

The power consumption modes of the HFA3860B are controlled by the following control signals.

Receiver Power Enable (RX\_PE, pin 33), which disables the receiver when inactive.

Transmitter Power Enable (TX\_PE, pin 2), which disables the transmitter when inactive.

Reset ( $\overline{\text{RESET}}$ , pin 28), which puts the receiver in a sleep mode. The power down mode where, both  $\overline{\text{RESET}}$  and RX\_PE are used is the lowest possible power consumption mode for the receiver. Exiting this mode requires a maximum of 10 $\mu$ s before the device is back at its operational mode for transmitters. Add 5ms more to be operational for receive mode. It also requires that RX\_PE be activated briefly to clock in the change of state.

The contents of the Configuration Registers are not effected by any of the power down modes. The external processor does have access and can modify any of the CRs during the power down modes. No reconfiguration is required when returning to operational modes.

Table 6 describes the power down modes available for the HFA3860B ( $V_{CC} = 3.3V$ ). The table values assume that all other inputs to the part (MCLK, SCLK, etc.) continue to run except as noted.

## **Transmitter Description**

The HFA3860B transmitter is designed as a Direct Sequence Spread Spectrum Phase Shift Keying (DSSS PSK) modulator. It can handle data rates of up to 11MBPS (refer to AC and DC specifications). Two different modulations are available for the 5.5Mbps and 11Mbps modes. This is to accommodate backwards compatibility with the HFA3860A and to provide an IEEE 802.11 standards compliant mode. The various modes of the modulator are Differential Binary Phase Shift Keying (DBPSK) for 1Mbps, Differential Quaternary Phase Shift Keying (DQPSK) for 2Mbps, Binary M-ary Bi-Orthogonal Keying (BMBOK) or Complementary Code Keying (CCK) for 5.5Mbps, and Quaternary M-ary Bi-Orthogonal Keying (QMBOK) or CCK for 11Mbps. These implement data rates as shown in Table 7. The major functional blocks of the transmitter include a network processor interface, DPSK modulator, high rate modulator, a data scrambler and a spreader, as shown on Figure 11. A description of (M-ARY) Bi-Orthogonal Keying can be found in Chapter 5 of: "Telecommunications System Engineering", by Lindsey and Simon, Prentis Hall publishing. CCK is essentially a quadrature phase form of that modulation.

The preamble and header are always transmitted as DBPSK waveforms while the data packets can be configured to be either DBPSK, DQPSK, BMBOK, QMBOK, or CCK. The preamble is used by the receiver to achieve initial PN synchronization while the header includes the necessary data fields of the communications protocol to establish the physical layer link. The transmitter generates the synchronization preamble and header and knows when to make the DBPSK to DQPSK or B/QMBOK or CCK switchover, as required.

For the 1 and 2Mbps modes, the transmitter accepts data from the external source, scrambles it, differentially encodes it as either DBPSK or DQPSK, and mixes it with the BPSK PN spreading. The baseband digital signals are then output to the external IF modulator.

For the MBOK modes, the transmitter inputs the data and forms it into nibbles (4 bits). At 5.5Mbps, it selects one of 8 spread sequences from a table of sequences with 3 of those bits and then picks the true or inverted version of that sequence with the remaining bit. Thus, there are 16 possible spread sequences to send, but only one is sent. This sequence is then modulated on both the I and Q outputs. The phase of the last bit of the header is used as an absolute phase reference for the data portion of the packet. At 11Mbps, two nibbles are used, and each one is used as above independently. One of the resulting sequences is modulated on the I Channel and the other on the Q Channel output. With 16 possible sequences on I and another 16 independently on Q, the total possible number of combinations is 256. Of these only one is sent.

For the CCK modes, the transmitter inputs the data and forms it into nibbles (4 bits) or bytes (8 bits). At 5.5MBPS, it selects one of 4 complex spread sequences as a symbol from a table of sequences with 2 of those bits and then QPSK modulates that symbol with the remaining 2 bits. Thus, there are 16 possible spread sequences to send, but only one is sent. This sequence is then modulated on the I and Q outputs jointly. The phase of the last bit of the header is used as a phase reference for the data portion of the packet. At 11Mbps, one byte is used as above with 6 bits used to select one of 64 spread sequences for a symbol and the other 2 used to QPSK modulate that symbol. Thus, the total possible number of combinations is 256. Of these only one is sent.

TABLE 7. BIT RATE TABLE EXAMPLES FOR MCLK = 44MHz

DATA MODULATION	A/D SAMPLE CLOCK (MHz)	TX SETUP CR 20 BITS 1, 0	RX STATUS CR 24 BITS 7, 6	DATA RATE (Mbps)	SYMBOL RATE (MSPS)
DBPSK	22	00	00	1	1
DQPSK	22	01	01	2	1
BMBOK/CCK	22	10	10	5.5	1.375
QMBOK/CCK	22	11	11	11	1.375

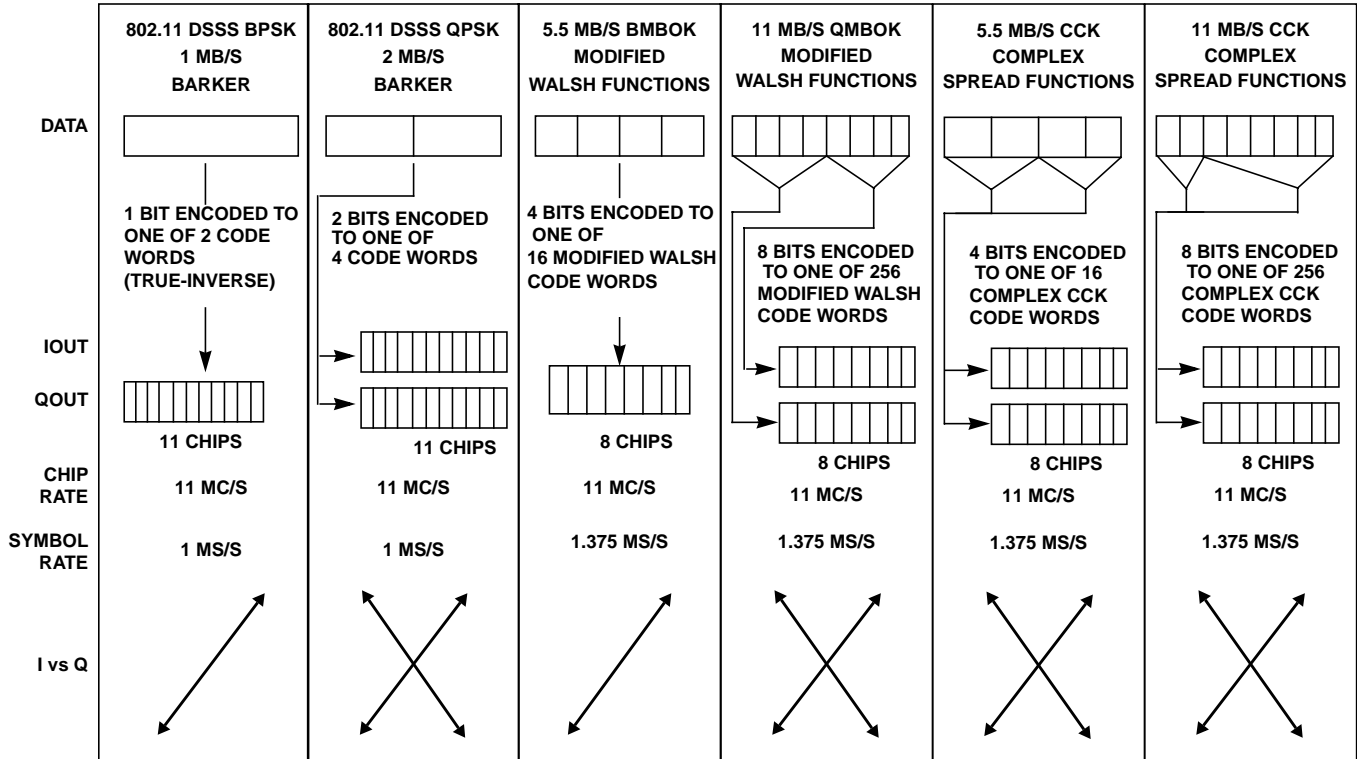


FIGURE 8. MODULATION MODES

The bit rate Table 7 shows examples of the bit rates and the symbol rates and Figure 8 shows the modulation schemes. The modulator is completely independent from the demodulator, allowing the PRISM baseband processor to be used in full duplex operation.

**Header/Package Description**

The HFA3860B is designed to handle continuous or packetized Direct Sequence Spread Spectrum (DSSS) data transmissions. The HFA3860B generates its own preamble and header information.

The device uses a synchronization preamble of up to 256 symbols, and a header that includes four fields. The preamble is all 1's plus a start frame delimiter (before entering the scrambler). The actual transmitted pattern of the preamble will be randomized by the scrambler. The preamble is always transmitted as a DBPSK waveform.

**Start Frame Delimiter (SFD) Field (16 Bits)** - This carries the synchronization to establish the link frame timing. The HFA3860B will not declare a valid data packet, even if it PN acquires, unless it detects the SFD. The HFA3860B receiver is programmed to time out searching for the SFD via CR15. The timer starts counting the moment that initial PN synchronization has been established from the preamble.

The four fields for the header shown in Figure 9 are:

**Signal Field (8 Bits)** - This field indicates what data rate the data packet that follows the header will be. The HFA3860B receiver looks at the signal field to determine whether it needs to switch from DBPSK demodulation into DQPSK, B/QMBOK, or CCK demodulation at the end of the always DBPSK preamble and header fields.



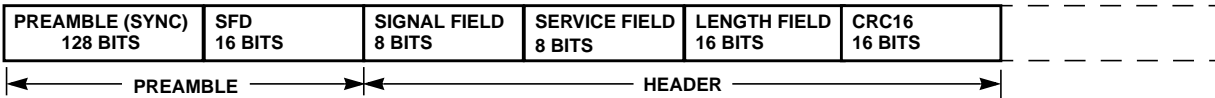


FIGURE 9. 802.11 PREAMBLE/HEADER

**Service Field (8 Bits)** - This field has one bit that is used to supplement the length field and the rest are currently unassigned and can be utilized as required by the user. Set them to 0's for compliance with IEEE 802.11. The MSB of this field is used by the Media Access controller (MAC) to indicate the correct choice when the length field is ambiguous.

**Length Field (16 Bits)** - This field indicates the number of microseconds it will take to transmit the payload data (MPDU). The external controller will check the length field in determining when it needs to de-assert RX\_PE.

**CCITT - CRC 16 Field (16 Bits)** - This field includes the 16-bit CCITT - CRC 16 calculation of the three header fields. This value is compared with the CCITT - CRC 16 code calculated at the receiver. The HFA3860B receiver will indicate a CCITT - CRC 16 error via CR24 bit 2 and will lower MD\_RDY if there is an error.

The CRC or cyclic Redundancy Check is a CCITT CRC-16 FCS (frame check sequence). It is the ones compliment of the remainder generated by the modulo 2 division of the protected bits by the polynomial:

$$x^{16} + x^{12} + x^5 + 1$$

The protected bits are processed in transmit order. All CRC calculations are made prior to data scrambling. A shift register with two taps is used for the calculation. It is preset to all ones and then the protected fields are shifted through the register. The output is then complemented and the residual shifted out MSB first.

The following Configuration Registers (CR) are used to program the preamble/header functions, more programming details about these registers can be found in the Control Registers section of this document:

**CR 6** - Defines the preamble length minus the SFD in symbols. The 802.11 protocol requires a setting of 128d = 80h.

**CR 15** - Defines the length of time that the demodulator searches for the SFD before returning to acquisition.

**CR 16** - The contents of this register define DBPSK modulation. If CR 20 bits 1 and 0 are set to indicate DBPSK modulation then the contents of this register are transmitted in the signal field of the header.

**CR 17** - The contents of this register define DQPSK modulation. If CR 20 bits 1 and 0 are set to indicate DQPSK modulation then the contents of this register are transmitted in the signal field of the header.

**CR 18** - The contents of this register define BMBOK modulation. If CR 20 bits 1 and 0 are set to indicate BMBOK modulation then the contents of this register are transmitted in the signal field of the header.

**CR 19** - The contents of this register define QMBOK modulation. If CR 20 bits 1 and 0 are set to indicate QMBOK modulation then the contents of this register are transmitted in the signal field of the header.

**CR 20** - The last two bits of the register indicate what modulation is to be used for the data portion of the packet.

**CR 21** - The value to be used in the Service field.

**CR 22, 23** - Defines the value of the transmit data length field. This value includes all symbols following the last header field symbol and is in microseconds required to transmit the data at the chosen data rate.

The packet consists of the preamble, header and MAC protocol data unit (MPDU). The data is transmitted exactly as received from the control processor. Some dummy bits will be appended to the end of the packet to insure an orderly shutdown of the transmitter. This prevents spectrum splatter. At the end of a packet plus 3 symbols, the external controller is expected to de-assert the TX\_PE line to shut the transmitter down.

### Scrambler and Data Encoder Description

The modulator has a data scrambler that implements the scrambling algorithm specified in the IEEE 802.11 standard. This scrambler is used for the preamble, header, and data in all modes. The data scrambler is a self synchronizing circuit. It consist of a 7-bit shift register with feedback from specified taps of the register, as programmed through configuration register CR 7. Both transmitter and receiver use the same scrambling algorithm. The scrambler can be disabled by setting the taps to 0.

Be advised that the IEEE 802.11 compliant scrambler in the HFA3860B has the property that it can lock up (stop scrambling) on random data followed by repetitive bit patterns. The probability of this happening is 1/128. The patterns that have been identified are all zeros, all ones, repeated 10s, repeated 1100s, and repeated 111000s. Any break in the repetitive pattern will restart the scrambler. If an all zeros pattern following random data causes the scrambler to lock up and this state lasts for more than 200 microseconds in the BMBOK and QMBOK data modes, the demodulator may lose carrier tracking and corrupt the packet. This is caused by a buildup of a DC bias in the AC coupling between the HFA3724 and the HFA3860B.

Scrambling is done by a polynomial division using a prescribed polynomial as shown in Figure 10. A shift register holds the last quotient and the output is the exclusive-or of the data and the sum of taps in the shift register. The taps are programmable. The transmit scrambler seed is Hex 6C and the taps are set with CR7.

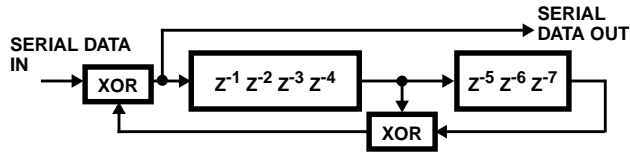


FIGURE 10. SCRAMBLING PROCESS

For the 1MBPS DBPSK data rates and for the header in all rates, the data coder implements the desired DBPSK coding by differential encoding the serial data from the scrambler and driving both the I and Q output channels together. For the 2MBPS DQPSK data rate, the data coder implements the desired coding as shown in the DQPSK Data Encoder table. This coding scheme results from differential coding of dibits (2 bits). Vector rotation is counterclockwise although bits 5 and 6 of configuration register CR2 can be used to reverse the rotation sense of the TX or RX signal if needed.

TABLE 8. DQPSK DATA ENCODER

PHASE SHIFT	DIBIT PATTERN (D0, D1) D0 IS FIRST IN TIME
0	00
+90	01
+180	11
-90	10

For data modulation in the MBOK modes, the data is formed into nibbles (4 bits). For Binary MBOK modulation (5.5MBPS) one nibble is used per symbol and for Quaternary MBOK (11Mbps), two are used. The data is not differentially encoded, just scrambled, in these modes. For the 5.5Mbps CCK modulation, the data is formed into nibbles and one is used for each symbol. The symbols are differentially encoded and all odd symbols are given an additional 180 degree rotation.

### Spread Spectrum Modulator Description

The modulator is designed to generate DBPSK, DQPSK, BMBOK, QMBOK, and CCK spread spectrum signals. The modulator is capable of automatically switching its rate where the preamble and header are DBPSK modulated, and the data is modulated differently. The modulator can support data rates of 1, 2, 5.5 and 11Mbps. The programming details to set up the modulator are given at the introductory paragraph of this section. The HFA3860B utilizes Quadrature (I/Q) modulation at baseband for all modulation modes.

In the 1MBPS DBPSK mode, the I and Q Channels are connected together and driven with the output of the scrambler and differential encoder. The I and Q Channels are then both multiplied with the 11-bit Barker word at the spread rate. The I and Q signals go to the Quadrature upconverter (HFA3724) to be modulated onto a carrier. Thus, the spreading and data modulation are BPSK modulated onto the carrier.

For the 2MBPS DQPSK mode, the serial data is formed into dibits or bit pairs in the differential encoder as detailed above. One of the bits in a dibit goes to the I Channel and the other to the Q Channel. The I and Q Channels are then both multiplied with the 11-bit Barker word at the spread rate. This forms QPSK modulation at the symbol rate with BPSK modulation at the spread rate.

For the 5.5MBPS Binary M-Ary Bi-Orthogonal Keying (BMBOK) mode, the output of the scrambler is partitioned into nibbles of sign-magnitude (4 bits LSB first). The magnitude bits are used to select 1 of 8 eight bit modified Walsh functions. The Walsh functions are modified by adding hex 03 to all members of a Walsh function set to insure that there is no all 0 member as shown in Table 9. The selected function is then XOR'ed with the sign bit and connected to both I and Q outputs. The modified Walsh functions are clocked out at the spread rate (nominally 11 MCPS). The symbol rate is 1/8th of this rate. The Differential Encoder output of the last bit of the header CRC is the phase reference for the high rate data. This reference is XOR'ed with the I and Q data before the output. This allows the demodulator to compensate for phase ambiguity without differential encoding the high rate data.

TABLE 9. MODIFIED WALSH FUNCTIONS

MAG	mWAL	DATA PATTERN LSB.....MSB
0	03	11000000
1	0C	00110000
2	30	00001100
3	3F	11111100
4	56	01101010
5	59	10011010
6	65	10100110
7	6A	01010110

For the 11MBPS QMBOK mode, the output of the scrambler is partitioned into two nibbles. Each nibble is used as above to select a modified Walsh function and set its sign. The first of these modified Walsh spreading functions goes to the Q Channel and the second to the I Channel. They are then both XOR'ed with the phase reference developed from the last bit of the header CRC from the differential encoder.



TABLE 10. DQPSK ENCODING TABLE

DIBIT PATTERN (D(0), D(1)) D(0) IS FIRST IN TIME	EVEN SYMBOLS PHASE CHANGE (+Jω)	ODD SYMBOLS PHASE CHANGE (+Jω)
00	0	π
01	π/2	3π/2 (-π/2)
11	π	0
10	3π/2 (-π/2)	π/2

**CCK Modulation**

The spreading code length is 8 and based on complementary codes. The chipping rate is 11 Mchip/s. The symbol duration is exactly 8 complex chips long.

The following formula is used to derive the CCK code words that shall be used for spreading both 5.5 and 11 Mbit/s:

$$c = \left\{ \begin{array}{cccccccc} e^{j(\varphi_1 + \varphi_2 + \varphi_3 + \varphi_4)}, & e^{j(\varphi_1 + \varphi_3 + \varphi_4)}, & e^{j(\varphi_1 + \varphi_2 + \varphi_4)}, & & & & & \\ & e^{j(\varphi_1 + \varphi_4)}, & e^{j(\varphi_1 + \varphi_2 + \varphi_3)}, & e^{j(\varphi_1 + \varphi_3)}, & e^{j(\varphi_1 + \varphi_2)}, & e^{j\varphi_1} & & \\ & -e^{j(\varphi_1 + \varphi_4)}, & & & & & & \end{array} \right\}$$

(LSB to MSB), where c is the code word.

The terms: φ1, φ2, φ3, and φ4 are defined in clause below for 5.5Mbps and 11Mbps.

This formula creates 8 complex chips (LSB to MSB) that are transmitted LSB first.

This is a form of the generalized Hadamard transform encoding where φ1 is added to all code chips, φ2 is added to all odd code chips, φ3 is added to all odd pairs of code chips and φ4 is added to all odd quads of code chips.

The phases φ1 modify the phase of all code chips of the sequence and are DQPSK encoded for 5.5 and 11Mbps. This will take the form of rotating the whole symbol by the appropriate amount relative to the phase of the preceding symbol. Note that the MSB chip of the symbol defined above is the chip that indicates the symbol's phase and it is transmitted last.

For the 5.5Mbps CCK mode, the output of the scrambler is partitioned into nibbles. The first two bits are encoded as differential modulation in accordance with Table 10. All odd numbered symbols of the short Header or MPDU are given an extra 180 degree (\*) rotation in addition to the standard DQPSK modulation as shown in the table. The symbols of the MPDU shall be numbered starting with "0" for the first symbol for the purposes of determining odd and even symbols. That is, the MPDU starts on an even numbered symbol.

The last data dibits d2, and d3 CCK encode the basic symbol as specified in Table 11. This table is derived from the formula above by setting φ2 = (d2\*π)+ π/2, φ3 = 0, and φ4 = d3\*π. In the table d2 and d3 are in the order shown and the complex chips are shown LSB to MSB (left to right) with LSB transmitted first.

TABLE 11. 5.5Mbps CCK ENCODING TABLE

d2, d3									
00	:	1j	1	1j	-1	1j	1	-1j	1
01	:	-1j	-1	-1j	1	1j	1	-1j	1
10	:	-1j	1	-1j	-1	-1j	1	1j	1
11	:	1j	-1	1j	1	-1j	1	1j	1

At 11Mbps, 8 bits (d0 to d7; d0 first in time) are transmitted per symbol.

The first dibit (d0, d1) encodes φ1 based on DQPSK. The DQPSK encoder is specified in Table 10 above. The phase change for φ1 is relative to the phase φ1 of the preceding symbol. In the case of rate change, the phase change for φ1 is relative to the phase φ1 of the preceding CCK symbol. All odd numbered symbols of the MPDU are given an extra 180 degree (\*) rotation in accordance with the DQPSK modulation as shown in Table 12. Symbol numbering starts with "0" for the first symbol of the MPDU.

The data dibits: (d2, d3), (d4, d5), (d6, d7) encode φ2, φ3, and φ4 respectively based on QPSK as specified in Table 12. Note that this table is binary, not Grey, coded.

TABLE 12. QPSK ENCODING TABLE

DIBIT PATTERN (D(l), D(l+1)) D(l) IS FIRST IN TIME	PHASE
00	0
01	π/2
10	π
11	3π/2 (-π/2)

## ***Clear Channel Assessment (CCA) and Energy Detect (ED) Description***

The clear channel assessment (CCA) circuit implements the carrier sense portion of a carrier sense multiple access (CSMA) networking scheme. The Clear Channel Assessment (CCA) monitors the environment to determine when it is feasible to transmit. The result of the CCA algorithm is available 16 $\mu$ s after RX\_PE goes high through output pin 32 of the device. The CCA circuit in the HFA3860B can be programmed to be a function of RSSI (energy detected on the channel), carrier detection, or both. The CCA output can be ignored, allowing transmissions independent of any channel conditions. The CCA in combination with the visibility of the various internal parameters (i.e., Energy Detection measurement results), can assist an external processor in executing algorithms that can adapt to the environment. These algorithms can increase network throughput by minimizing collisions and reducing transmissions liable to errors.

There are two measures that are used in the CCA assessment. The receive signal strength (RSSI) which measures the energy at the antenna and carrier sense early (CSE). Both indicators are normally used since interference can trigger the signal strength indication, but it might not trigger the carrier sense. The carrier sense, however, becomes active only when a spread signal with the proper PN code has been detected, so it may not be adequate in itself. The CCA compares these measures to thresholds at the end of the first antenna dwell following RX\_PE going active. The state of CCA is not guaranteed from the time RX\_PE goes high until the CCA assessment is made. At the end of a packet, after RXPE has been deasserted, the state of CCA is also not guaranteed. CCA should be sampled 16 $\mu$ s after raising RX\_PE.

The receive signal strength indication (RSSI) measurement is an analog input to the HFA3860B from the successive IF stage of the radio. The RSSI A/D converts it within the baseband processor and it compares it to a programmable threshold. This threshold is normally set to between -70 and -80dBm. A MAC controlled calibration procedure can be used to optimize this threshold.

The CSE (Carrier Sense Early) is a signal that goes active when SQ1 (after an antenna dwell) has been satisfied. It is called early, since it is indicated before the carrier sense used for acquisition. It is calculated on the basis of the integrated energy in the correlator output over a block of 15 symbols. Thus, the CCA is valid after 16 $\mu$ s has transpired from the time RX\_PE was raised.

The Configuration registers effecting the CCA algorithm operation are summarized below (more programming details on these registers can be found under the Control Registers section of this document).

The CCA output from pin 32 of the device can be defined as active high or active low through CR 1 (bit 5). The RSSI threshold is set through CR14. If the actual RSSI value from the A/D exceeds this threshold then ED becomes active.

The instantaneous RSSI value can be monitored by the external network processor by reading the test bus in mode 3. It measures the signal 16 $\mu$ s after the start of each antenna or data dwell. RSSI value is invalid after MD\_RDY goes active if CR31 bit 1 is set to a "1". Value is valid until MD\_RDY drops if bit is set to a "0". The programmable threshold on the CSE measurement is set through CR12 and CR13. More details on SQ1 are included in the receiver section of this document.

In a typical single antenna system CCA will be monitored to determine when the channel is clear. Once the channel is detected busy, CCA should be checked periodically to determine if the channel becomes clear. CCA is stable to allow asynchronous sampling or even falling edge detection of CCA. Once MD\_RDY goes active, CCA is then ignored for the remainder of the message. Failure to monitor CCA until MD\_RDY goes active (or use of a time-out circuit) could result in a stalled system as it is possible for the channel to be busy and then become clear without an MD\_RDY occurring.

A Dual antenna system has the added complexity that CCA will potentially toggle between active and inactive as each antenna is checked. The user must avoid mistaking the inactive CCA signal as an indication the channel is clear. A time-out circuit that begins with the first busy channel indication could be used. Alternatively CCA could be monitored, a clear channel indication for 2 successive antenna dwells would show the channel clear on both antennas. Time alignment of CCA monitoring with the receivers 16 $\mu$ s antenna dwells would be required. Once the receiver has acquired, CCA should be monitored for loss of signal until MD\_RDY goes active.

An optional CCA mode is set by CR31 bit 0. When set to a zero, the HFA3860B will perform the CCA monitoring for successive antenna dwells when dual antenna mode is selected. The external CCA signal will go active when a busy channel is detected, CCA will stay active until the channel shows clear for two successive antenna dwells. This allows the same simple algorithm to be used in both signal and dual antenna, namely, continuous monitoring of CCA for a clear channel until MD\_RDY goes active.

CR5 selects the starting antenna used when RXPE is brought active.

CSE is updated at the end of each antenna dwell. After acquisition, CSE is updated every 64 symbols. In the event of signal loss after acquisition, CSE may go inactive. But because the accumulation is over 63 symbols instead of 15, it is more likely the SQ1 value will exceed the CSE threshold and CSE will remain active.

## **Demodulator Description**

The receiver portion of the baseband processor, performs A/D conversion and demodulation of the spread spectrum signal. It correlates the PN spread symbols, then demodulates the DBPSK, DQPSK, MBOK, QMBOK, or CCK symbols. The demodulator includes a frequency tracking loop that tracks and removes the carrier frequency offset. In addition it tracks the symbol timing, and differentially decodes (where appropriate) and descrambles the data. The data is output through the RX Port to the external processor.

The PRISM baseband processor, HFA3860B uses differential demodulation for the initial acquisition portion of the message processing and then switches to coherent demodulation for the rest of the acquisition and data demodulation. The HFA3860B is designed to achieve rapid settling of the carrier tracking loop during acquisition. Rapid phase fluctuations are handled with a relatively wide loop bandwidth. Coherent processing improves the BER performance margin as opposed to differentially coherent processing and is necessary for processing the MBOK data rates.

The baseband processor uses time invariant correlation to strip the PN spreading and phase processing to demodulate the resulting signals in the header and DBPSK/DQPSK demodulation modes. These operations are illustrated in Figure 15 which is an overall block diagram of the receiver processor.

In processing the DBPSK header, input samples from the I and Q A/D converters are correlated to remove the spreading sequence. The peak position of the correlation pulse is used to determine the symbol timing. The sample stream is decimated to the symbol rate and the phase is corrected for frequency offset prior to PSK demodulation. Phase errors from the demodulator are fed to the NCO through a lead/lag filter to maintain phase lock. The variance of the phase error is used to determine signal quality for acquisition and lock detection. The demodulated data is differentially decoded and descrambled before being sent to the header detection section.

In the 1MBPS DBPSK mode, data demodulation is performed the same as in header processing. In the 2MBPS DQPSK mode, the demodulator demodulates two bits per symbol and differentially decodes these bit pairs. The bits are then serialized and descrambled prior to being sent to the output.

In the MBOK and CCK modes, the receiver uses a complex multiplier to remove carrier frequency offsets and a bank of correlators to detect the modulation. A biggest picker finds the largest correlation in the I and Q Channels and determines the sign of those correlations. For this to happen, the demodulator must know absolute phase which is determined by referencing the data to the last bit of the header. Each symbol demodulated determines 1 or 2 nibbles of data. This is then serialized and descrambled before passing on to the output.

Chip tracking in the MBOK and CCK modes is chip decision directed. Carrier tracking is via a lead/lag filter using a digital Costas phase detector.

## **Acquisition Description**

The PRISM baseband processor uses either a dual antenna mode of operation for compensation against multipath interference losses or a single antenna mode of operation with faster acquisition times.

### **Two Antenna Acquisition**

(Recommended for Indoor Use)

During the 2 antenna (diversity) mode the two antennas are scanned in order to find the one with the best representation of the signal. This scanning is stopped once a suitable signal is found and the best antenna is selected.

A projected worst case time line for the acquisition of a signal in the two antenna case is shown in Figure 12. The synchronization part of the preamble is 128 symbols long followed by a 16-bit SFD. The receiver must scan the two antennas to determine if a signal is present on either one and, if so, which has the better signal. The timeline is broken into 16 symbol blocks (dwells) for the scanning process. This length of time is necessary to allow enough integration of the signal to make a good acquisition decision. This worst case time line example assumes that the signal is present on antenna A1 only (A2 is blocked). It further assumes that the signal arrives part way into the first A1 dwell such as to just barely miss detection. The signal and the scanning process are asynchronous and the signal could start anywhere. In this timeline, it is assumed that all 16 symbols are present, but they were missed due to power amplifier ramp up. Since A2 has insufficient signal, the first A2 dwell after the start of the preamble also fails detection. The second A1 dwell after signal start is successful and a symbol timing measurement is achieved.

Meanwhile signal quality and signal frequency measurements are made simultaneous with symbol timing measurements. When the bit sync level, SQ1, and Phase variance SQ2 are above their user programmable thresholds, the signal is declared present for that antenna. More details on the Signal Quality estimates and their programmability are given in the Acquisition Signal Quality Parameters section of this document.

At the end of each dwell, a decision is made based on the relative values of the signal qualities of the signals on the two antennas. In the example, antenna A1 is the one selected, so the recorded symbol timing and carrier frequency for A1 are used thereafter for the symbol timing and the PLL of the NCO to begin carrier de-rotation and demodulation.

Prior to initial acquisition the NCO was inactive and DPSK demodulation processing was used. Carrier phase measurement are done on a symbol by symbol basis afterward and coherent DPSK demodulation is in effect.

After a brief setup time as illustrated on the timeline of Figure 12, the signal begins to emerge from the demodulator.

It takes 7 more symbols to seed the descrambler before valid data is available. This occurs in time for the SFD to be received. At this time the demodulator is tracking and in the coherent PSK demodulation mode it will no longer scan antennas.

### **One Antenna Acquisition**

(Only Recommended if Multipath is Not Significant)

When only one antenna is being used, the user can delete the antenna switch and shorten the acquisition sequence.

Figure 13 shows the single antenna acquisition timeline with an 80 symbol preamble. This scheme deletes the second antenna dwells but performs the same otherwise. It verifies the signal after initial detection for lower false alarm probability.

### **Acquisition Signal Quality Parameters**

Two measures of signal quality are used to determine acquisition. The first method of determining signal presence is to measure the correlator output (or bit sync) amplitude. This measure, however, flattens out in the range of high BER and is sensitive to signal amplitude. The second measure is phase noise and in most BER scenarios it is a better indication of good signals plus it is insensitive to signal amplitude.

The metric for choosing the best antenna is determined by CR5 bit 3. When set to a zero the antenna with the smallest phase variance (SQ2) is chosen. This metric has shown to have a poor measure of multipath effects and is best suited for 1 and 2MBPS operations. When set to a one, the six sidelobes (3 on either side of the 3 centered on the bit sync peak) are summed and compared. The antenna with the smallest sum (SQ3) is selected. This metric is optimal for improving 5.5 and 11MBPS operation in the presence of multipath.

CR5 bit 4 is to select the bit sync accumulation duration used during antenna dwells. When set to a zero the accumulation is over 15 symbols (consistent with HSP3824, HFA3824A, HFA3860). This setting allows the user to set the CSE and SQ1 thresholds as before and retain consistent CSE and acquisition performance. When set to a one, the bit sync accumulates on the last 13 symbols instead of the last 15. The SQ1 value will be numerically smaller, so CSE and SQ1 acquisition thresholds may need adjustment. The benefit of setting this bit is the elimination of transients (due to antenna switching and A/D timing adjustments) in the bit sync accumulation. This provides the best possible data for SQ3 based antenna diversity.

The bit sync amplitude and phase noise are integrated over each block of 16 symbols used in acquisition or over blocks of 64 symbols in the data demodulation mode. The bit sync amplitude measurement represents the peak of the correlation out of the PN correlator. Figure 14 shows the correlation process. The signal is sampled at twice the chip rate (i.e., 22MSPS). The one sample that falls closest to the peak is used for a bit sync amplitude sample for each symbol. This sample is called the on-time sample. High bit sync amplitude means a good signal. The early and late samples are the two adjacent samples and are used for tracking.

The other signal quality measurement is based on phase noise and that is taken by sampling the correlator output at the correlator peaks. The phase changes due to scrambling are removed by differential demodulation during initial acquisition. Then the phase, the phase rate and the phase variance are measured and integrated for 16 symbols. The phase variance is used for the phase noise signal quality measure (SQ2). Low phase noise means a stronger received signal.

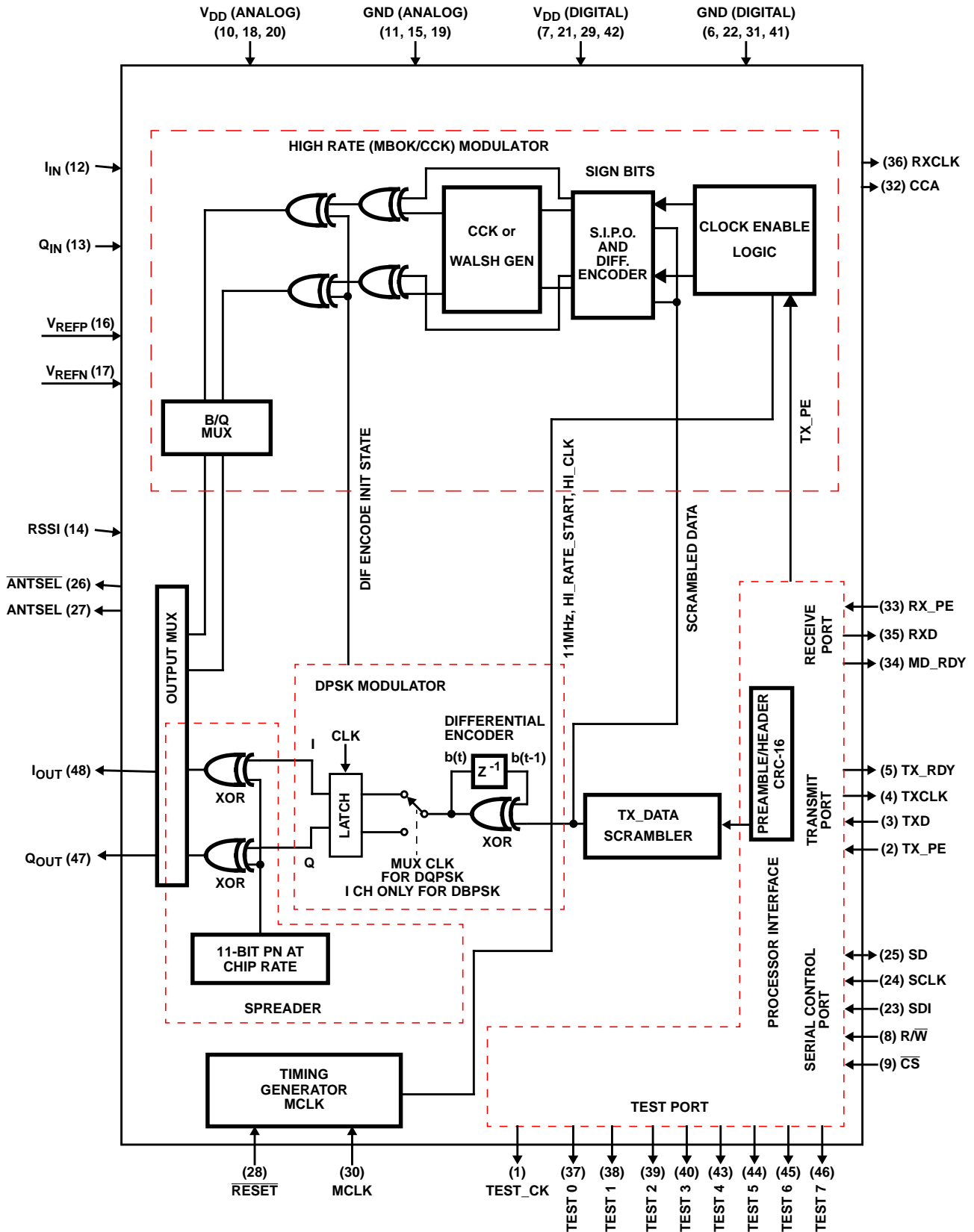
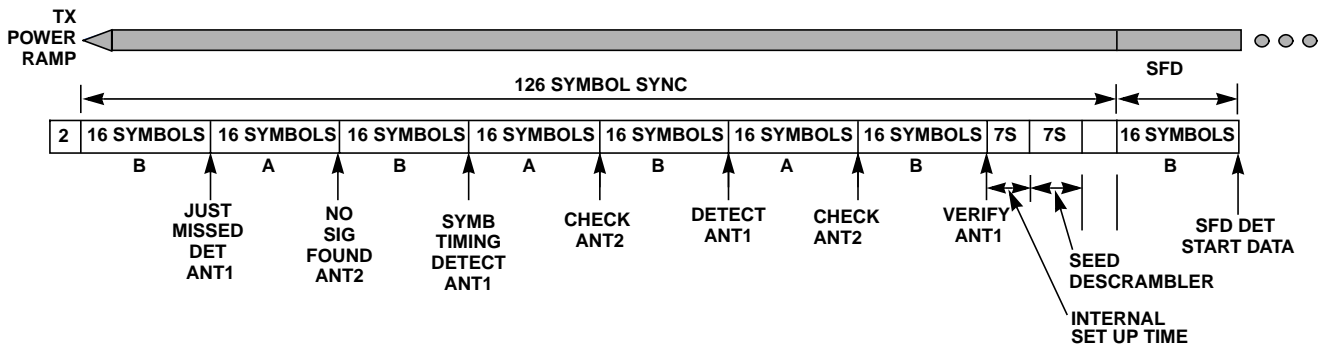


FIGURE 11. DSSS BASEBAND PROCESSOR, TRANSMIT SECTION





NOTES:

- 4. Worst Case Timing; antenna dwell starts before signal is full strength.
- 5. Time line shown assumes that antenna 2 gets insufficient signal.

FIGURE 12. DUAL ANTENNA ACQUISITION TIMELINE

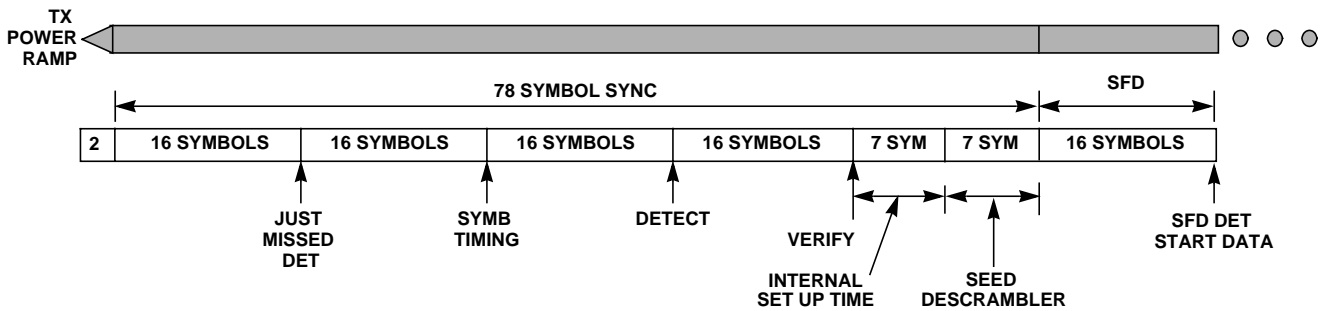


FIGURE 13. SINGLE ANTENNA ACQUISITION TIMELINE

**Procedure to Set Acq. Signal Quality Parameters Example**

There are four registers that set the acquisition signal quality thresholds, they are: CR 8, 9, 10, and 11 (RX\_SQX\_IN\_ACQ). Each threshold consists of two bytes, high and low that hold a 16-bit number.

These two thresholds, bit sync amplitude CR (8 and 9) and phase error CR (10 and 11) are used to determine if the desired signal is present. If the thresholds are set too “low”, that increases the probability of missing a high signal to noise detection due to being busy processing a false alarm. If they are set too “high”, that increases the probability of missing a low signal to noise detection. For the bit sync amplitude, “high” actually means high amplitude while for phase noise “high” means low noise or high SNR.

A recommended procedure is to set these thresholds individually optimizing each one of them to the same false alarm rate with no desired signal present. Only the background environment should be present, usually additive gaussian white noise (AGWN). When programming each threshold, the other threshold is set so that it always indicates that the signal is present. Set register CR8 to 00h while trying

to determine the value of the phase error signal quality threshold for registers CR 10 and 11. Set register CR10 to FFh while trying to determine the value of the Bit sync amplitude signal quality threshold for registers 8 and 9. Monitor the Carrier Sense (CRS) output (TEST 6, pin 45) in test mode 1 and adjust the threshold to produce the desired rate of false detections. CRS indicates valid initial PN acquisition. After both thresholds are programmed in the device the CRS rate is a logic “and” of both signal qualities rate of occurrence over their respective thresholds and will therefore be much lower than either.

**PN Correlators Description**

There are two types of correlators in the HFA3860B baseband processor. The first is a parallel matched correlator that correlates for the Barker sequence used in preamble, header, and PSK data modes. This PN correlator is designed to handle BPSK spreading with carrier offsets up to ±50ppm and 11 chips per symbol. Since the spreading is BPSK, the correlator is implemented with two real correlators, one for the I and one for the Q Channel. The same Barker sequence is always used for both I and Q correlators.

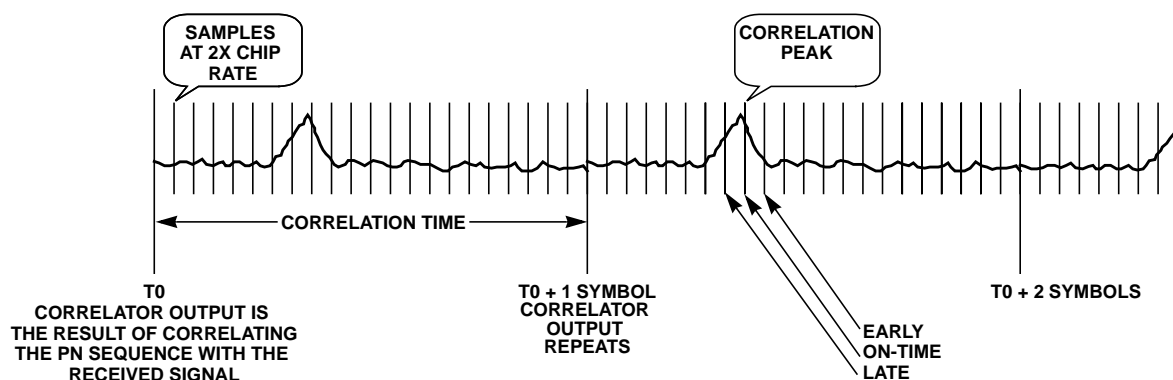


FIGURE 14. CORRELATION PROCESS

These correlators are time invariant matched filters otherwise known as parallel correlators. They use one sample per chip for correlation although two samples per chip are processed. The correlator despreads the samples from the chip rate back to the original data rate giving 10.4dB processing gain for 11 chips per bit. While despreading the desired signal, the correlator spreads the energy of any non correlating interfering signal.

The second form of correlator is the serial correlator bank used for detection of the MBOK or CCK modulation. For MBOK there is a bank of eight 8 chip correlators for the I Channel and another 8 for the Q Channel. These correlators integrate over the symbol and are sampled at the symbol rate of 1.375MSps. Each bank of correlators is connected to a biggest picker that finds the correlator output with the largest magnitude output. This finding of 1 out of 8 process determines 3 signal bits per correlator bank. The sign of the correlator output determines 1 more bit per bank. Thus, each bank of correlators can determine 4 bits at 1.375 MSPS. This is a rate of 5.5MBPS. Only the I correlator bank is used for MBOK. When both correlator banks are used, this becomes twice that rate or 11Mbps.

For the CCK modes, the correlation function uses a Fast Walsh Transform to correlate the 4 or 64 code possibilities followed by a biggest picker. The finding of the biggest of 4 or 64 recovers 2 or 6 bits depending on the rate. The QPSK angle of the symbol is then used to recover the last two bits. The correlator output is then processed through the differential decoder to demodulate the last two bits.

### Data Demodulation and Tracking Description (DBPSK and DQPSK Modes)

The signal is demodulated from the correlation peaks tracked by the symbol timing loop (bit sync) as shown in Figure 14. The frequency and phase of the signal is corrected from the NCO that is driven by the phase locked loop. Demodulation of the DPSK data in the early stages of acquisition is done by delay and subtraction of the phase samples. Once phase locked loop tracking of the carrier is established, coherent demodulation is enabled for better

performance. Averaging the phase errors over 16 symbols gives the necessary frequency information for proper NCO operation. The signal quality known as SQ2 is the variance in this estimate.

Configuration Register 15 sets the search timer for the SFD. This register sets this time-out length in symbols for the receiver. If the time out is reached, and no SFD is found, the receiver resets to the acquisition mode. The suggested value is # preamble symbols + 16. If several transmit preamble lengths are used by various transmitters in a network, the longest value should be used for the receiver settings.

### Data Decoder and Descrambler Description

The data decoder that implements the desired DQPSK coding/decoding as shown in Table 13. The data is formed into pairs of bits called dibits. The left bit of the pair is the first in time. This coding scheme results from differential coding of the dibits. Vector rotation is counterclockwise for a positive phase shift, but can be reversed with bit 5 or 6 of CR2.

TABLE 13. DQPSK DATA DECODER

PHASE SHIFT	DIBIT PATTERN (D0, D1) D0 IS FIRST IN TIME
0	00
+90	01
+180	11
-90	10

For DBPSK, the decoding is simple differential decoding.

The data scrambler and descrambler are self synchronizing circuits. They consist of a 7-bit shift register with feedback of some of the taps of the register. The scrambler is designed to insure smearing of the discrete spectrum lines produced by the PN code.

One thing to keep in mind is that both the differential decoding and the descrambling cause error extension. This causes the errors to occur in groups of 4 and 6. This is due to two properties of the processing. First, the differential decoding



process causes errors to occur in pairs. When a symbol error is made, it is usually a single bit error even in QPSK mode. When a symbol is in error, the next symbol will also be decoded wrong since the data is encoded in the change from one symbol to the next. Thus, two errors are made on two successive symbols. Therefore up to 4 bits may be wrong although on the average only 2 are. In QPSK mode, these may be next to one another or separated by up to 2 bits. Secondly, when the bits are processed by the descrambler, these errors are further extended. The descrambler is a 7-bit shift register with one or more taps exclusive or'ed with the bit stream. If for example the scrambler polynomial uses 2 taps that are summed with the data, then each error is extended by a factor of three. DQPSK errors can be spaced the same as the tap spacing, so they can be canceled in the descrambler. In this case, two wrongs do make a right, so the observed errors can be in groups of 4 instead of 6. If a single error is made the whole packet is discarded, so the error extension property has no effect on the packet error rate.

Descrambling is self synchronizing and is done by a polynomial division using a prescribed polynomial. A shift register holds the last quotient and the output is the exclusive-or of the data and the sum of taps in the shift register. The transmit scrambler taps are programmed by CR 7.

### **Data Demodulation Description (BMBOK and QMBOK Modes)**

This demodulator handles the M-ary Bi-Orthogonal Keying (MBOK) modulation used for the two highest data rates. It is slaved to the low rate processor which it depends on for initial timing and phase tracking information. The high rate section coherently processes the signal, so it needs to have the I and Q Channels properly oriented and phased. The low rate section acquires the signal, locks up symbol and carrier tracking loops, and determines the data rate to be used for the MPDU data.

The demodulator for the MBOK modes takes over when the preamble and header have been acquired and processed. On the last bit of the header, the absolute phase of the signal is captured and used as a phase reference for the high rate demodulator as shown in Figure 15. The phase and frequency information from the carrier tracking loop in the low rate section is passed to the loop of the high rate section and control of the demodulator is passed to the high rate section.

The signal from the A/D converters is carrier frequency and phase corrected by a complex multiplier (mixer) that multiplies the received signal with the output of the Numerically Controlled Oscillator (NCO) and SIN/COS look up table. This removes the frequency offset and aligns the I and Q Channels properly for the correlators. The sample rate is decimated to 11MSPs for the correlators after the complex multiplier since the data is now synchronous in time.

The Walsh correlation section consists of a bank of 8 serial correlators on I and 8 on Q. Each of these correlators is programmed to correlate for its assigned spread function or its inverse. The demodulator knows the symbol timing, so the correlation is integrated over each symbol and sampled and dumped at the end of the symbol. The sampled correlation outputs from each bank are compared to each other in a biggest picker and the chosen one determines 4 bits of the symbol. Three bits come from which of the 8 correlators had the largest output and the fourth is determined from the sign of that output. In the 5.5MBPS or binary mode, only the I Channel is operated. This demodulates 4 bits per symbol. In the 11MBPS mode, both I and Q Channels are used and this detects 8 bits per symbol. The outputs are corrected for absolute phase and then serialized for the descrambler.

### **Data Demodulation in the CCK Modes**

In this mode, the demodulator uses Complementary Code Keying (CCK) modulation for the two highest data rates. It is slaved to the low rate processor which it depends on for initial timing and phase tracking information. The low rate section acquires the signal, locks up symbol and carrier tracking loops, and determines the data rate to be used for the MPDU data.

The demodulator for the CCK modes takes over when the preamble and header have been acquired and processed. On the last bit of the header, the phase of the signal is captured and used as a phase reference for the high rate differential demodulator. The phase and frequency information from the carrier tracking loop in the low rate section is passed to the loop of the high rate section and control of the demodulator is passed to the high rate section.

The signal from the A/D converters is carrier frequency and phase corrected by a complex multiplier (mixer) that multiplies the received signal with the output of the Numerically Controlled Oscillator (NCO) and SIN/COS look up table. This removes the frequency offset and aligns the I and Q Channels properly for the correlators. The sample rate is decimated to 11 MSPS for the correlators after the complex multiplier since the data is now synchronous in time.

The Fast Walsh transform correlation section processes the I and Q channel information. The demodulator knows the symbol timing, so the correlation is processed over each symbol. The correlation outputs from the correlator are compared to each other in a biggest picker and the chosen one determines 6 bits of the symbol. The QPSK phase of the chosen one determines two more bits for a total of 8 bits per symbol. Six bits come from which of the 64 correlators had the largest output and the last two are determined from the QPSK differential demod of that output. In the 5.5MBPS mode, only 4 the correlator outputs are monitored. This demodulates 2 bits for which of 4 correlators had the largest output and 2 more for the QPSK demodulation of that output for a total of 4 bits per symbol.

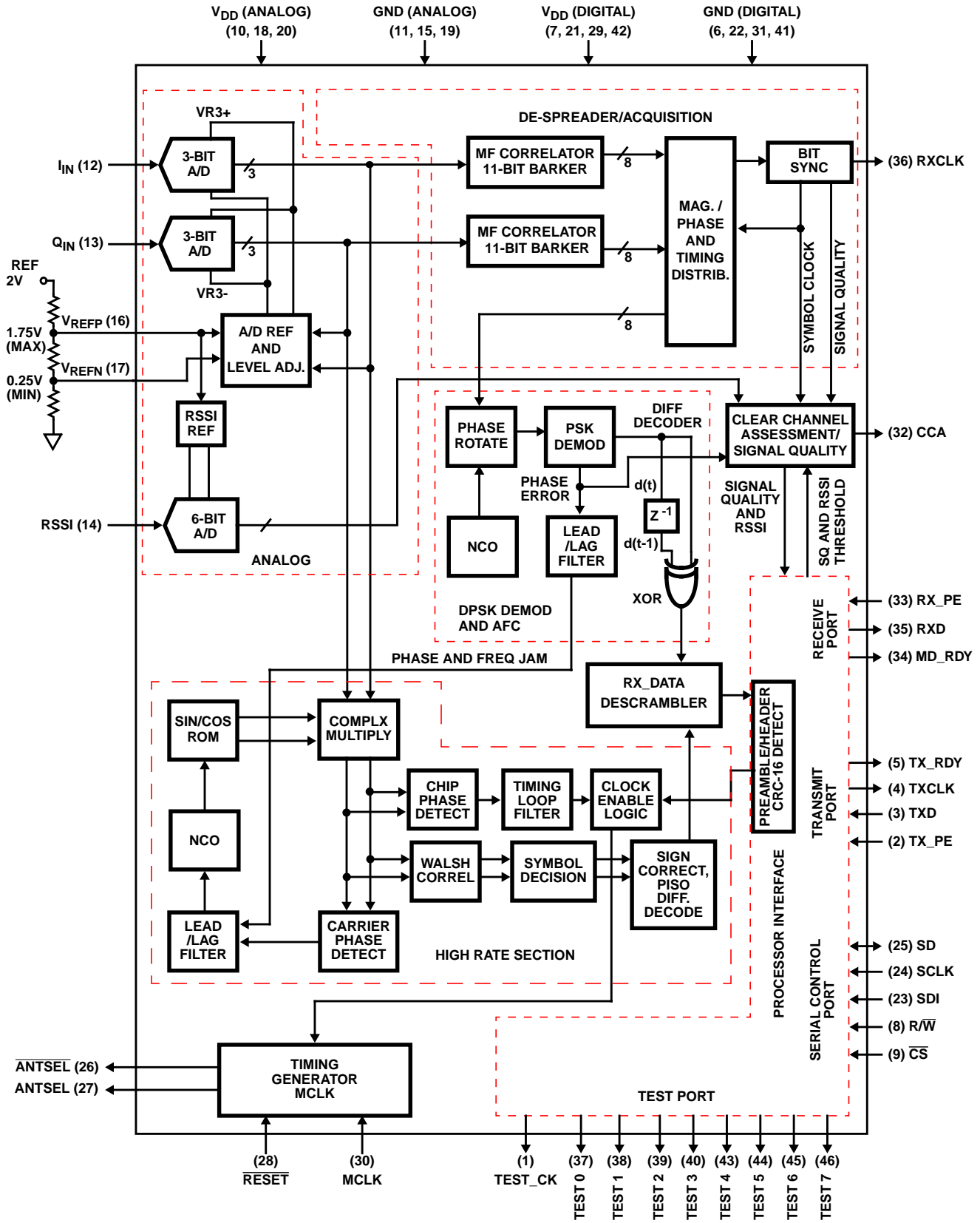


FIGURE 15. DSSS BASEBAND PROCESSOR, RECEIVE SECTION

### Tracking

Chip tracking is performed on the de-rotated signal samples from the complex multiplier. These are alternately routed into two streams. The END chip samples are the same as those used for the correlators. The MID chip samples should lie on the chip transitions when the tracking is perfect. A chip phase error is generated if the END sign bits bracketing the MID samples are different. The sign of the error is determined by the sign of the END sample after the MID sample.

Tracking is only measured when there is a chip transition. Note that this tracking is dependent on a positive SNR in the chip rate bandwidth.

The symbol clock is generated by selecting one 44 MHz clock pulse out of every 32 pulses of this sample clock. Chip tracking adjusts the sampling in 1/8th chip increments by selecting which edge of the 44 MHz clock to use and which pulse. Timing adjustments can be made every 32 symbols as needed.

Carrier tracking is performed in a four phase Costas loop. The initial conditions are copied into the loop from the carrier loop in the low rate section. The END samples from above are used for the phase detection. The phase error for the 11Mbps case is derived from  $I_{sign} * Q - Q_{sign} * I$  whereas in binary mode, it is simply  $I_{sign} * Q$ . This forms the error term that is integrated in the lead/lag filter for the NCO, closing the loop.

### Demodulator Performance

This section indicates the typical performance measures for a radio design. The performance data below should be used as a guide. In general, the actual performance depends on the application, interference environment, RF/IF implementation and radio component selection.

#### Overall $E_b/N_0$ Versus BER Performance

The PRISM chip set has been designed to be robust and energy efficient in packet mode communications. The demodulator uses coherent processing for data demodulation. The figures below show the performance of the baseband processor when used in conjunction with the HFA3724 IF limiter and the PRISM recommended IF filters. Off the shelf test equipment are used for the RF processing. The curves should be used as a guide to assess performance in a complete implementation.

Factors for carrier phase noise, multipath, and other degradations will need to be considered on an implementation by implementation basis in order to predict the overall performance of each individual system.

Figure 16 shows the curves for theoretical DBPSK/DQPSK demodulation with coherent demodulation and descrambling as well as the PRISM performance measured for DBPSK and DQPSK. The theoretical performance for DBPSK and DQPSK are the same as shown on the diagram. Figure 17 shows the theoretical and actual performance of the MBOK/CCK modes.

The losses in both figures include RF and IF radio losses; they do not reflect the HFA3860B losses alone. The HFA3860B baseband processing losses from theoretical are, by themselves, a small percentage of the overall loss.

The PRISM demodulator performs with an implementation loss of less than 3dB from theoretical in a AWGN environment with low phase noise local oscillators. For the 1 and 2Mbps modes, the observed errors occurred in groups of 4 and 6 errors. This is because of the error extension properties of differential decoding and descrambling. For the 5.5 and 11Mbps modes, the errors occur in symbols of 4 or 8 bits each and are further extended by the descrambling. Therefore the error patterns are less well defined.

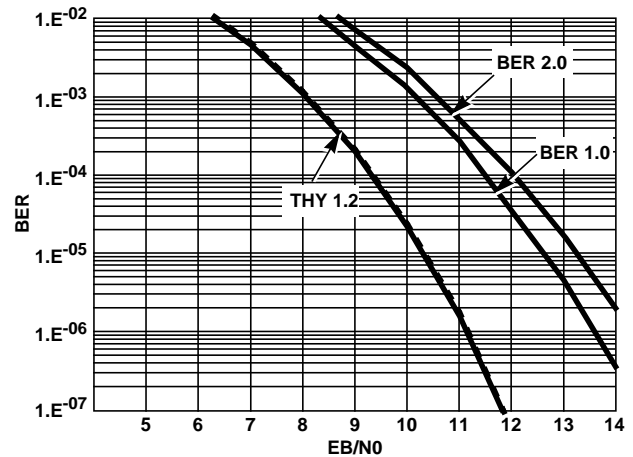


FIGURE 16. BER vs  $E_b/N_0$  PERFORMANCE FOR PSK MODES

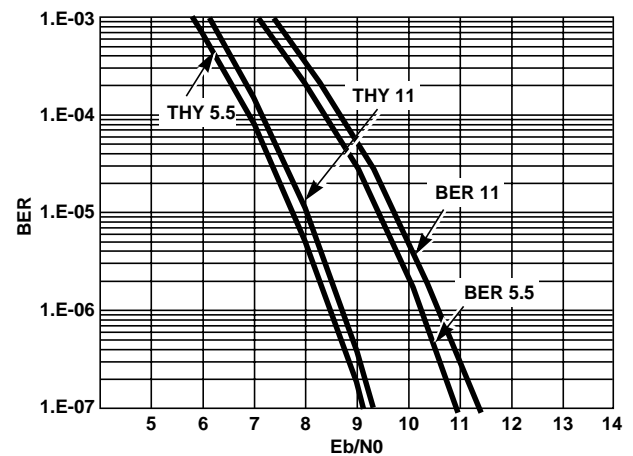


FIGURE 17. BER vs  $E_b/N_0$  PERFORMANCE FOR MBOK/CCK MODES

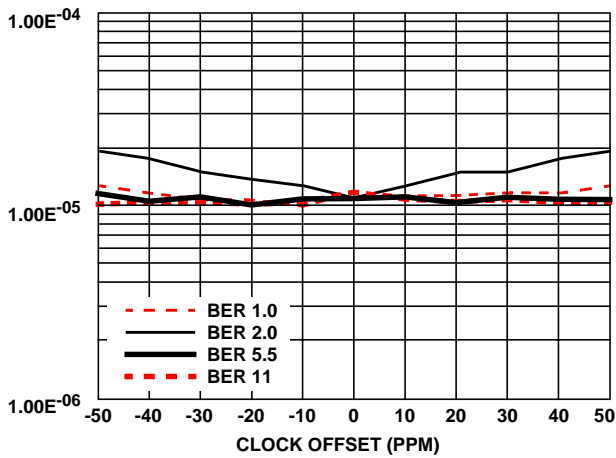


FIGURE 18. BER vs CLOCK OFFSET

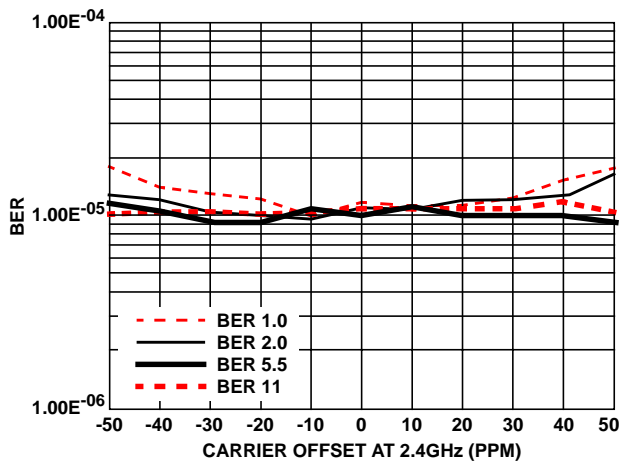


FIGURE 19. BER vs CARRIER OFFSET

### Clock Offset Tracking Performance

The PRISM baseband processor is designed to accept data clock offsets of up to  $\pm 25$ ppm for each end of the link (TX and RX). This affects both the acquisition and the tracking performance of the demodulator. The budget for clock offset error is 0.75dB at  $\pm 50$ ppm and the performance is shown in Figure 18. This figure shows that the baseband processor in the high rate modes is better than at low rates in tracking clock offsets. The data for this figure and the next one was taken with the SNR into the receiver set to achieve  $1E^{-5}$  BER with no offset. Then the offset was varied to determine the change in performance.

### Carrier Offset Frequency Performance

The correlators used for acquisition for all modes and for demodulation in the 1 and 2Mbps modes are time invariant matched filter correlators otherwise known as parallel correlators. They use two samples per chip and are tapped at every other shift register stage. Their performance with carrier frequency offsets is determined by the phase roll rate due to the offset. For an offset of +50ppm (combined for both TX and RX) will cause the carrier to phase roll 22.5 degrees over the length of the correlator. This causes a loss of 0.22dB in correlation magnitude which translates directly to  $E_b/N_0$  performance loss. In the PRISM chip design, the correlator is not included in the carrier phase locked loop correction, so this loss occurs for both acquisition and data. In the high rate modes, the data demodulation is done with a set of correlators that are included in the carrier tracking loop, so the loss is less. Figure 19 shows the loss versus carrier offset taken out to +75ppm (120kHz is 50ppm at 2.4GHz).

**A Default Register Configuration**

The registers in the HFA3860B are addressed with 6-bit numbers where the lower 2 bits of an 8-bit hexadecimal address are left as unused. This results in the addresses being in increments of 4 as shown in the table below. Table 14 shows the register values for a default 802.11 configuration with dual antennas and various rate configurations. The data is

transmitted as either DBPSK, DQPSK, BMBOK, QMBOK, or CCK depending on the configuration chosen. It is recommended that you start with the simplest configuration (DBPSK) for initial test and verification of the device and/or the radio design. The user can later modify the CR contents to reflect the system and the required performance of each specific application.

**TABLE 14. CONTROL REGISTER VALUES FOR SINGLE ANTENNA ACQUISITION**

CONFIGURATION REGISTER	NAME	TYPE	REGISTER ADDRESS HEX	1/2/5.5/1 Mbps
CR0	Part / Version Code	R	00	03
CR1	I/O Polarity	R/W	04	00
CR2	TX & RX Control	R/W	08	14
CR3	A/D_CAL_POS Register	R/W	0C	01
CR4	A/D_CAL_NEG Register	R/W	10	FF
CR5	CCA Antenna Control	R/W	14	2C
CR6	Preamble Length	R/W	18	80
CR7	Scramble_Tap (RX and TX)	R/W	1C	48
CR8	RX_SQ1_ACQ (High) Threshold	R/W	20	01
CR9	RX-SQ1_ACQ (Low) Threshold	R/W	24	88
CR10	RX_SQ2_ACQ (High) Threshold	R/W	28	00
CR11	RX-SQ2_ACQ (Low) Threshold	R/W	2C	98
CR12	SQ1 CCA Thresh (High)	R/W	30	01
CR13	SQ1 CCA Thresh (Low)	R/W	34	98
CR14	ED or RSSI Thresh	R/W	38	20
CR15	SFD Timer	R/W	3C	90
CR16 (Note 6)	Signal Field (BPSK - 11 Chip Barker Sequence)/or Q Cover Code for CCK Modulation	R/W	40	0A/ 48
CR17 (Note 6)	Signal Field (QPSK - 11 Chip Barker Sequence)/or I Cover Code for CCK Modulation	R/W	44	14/ 48
CR18	Signal Field (BPSK - Mod Walsh Sequence)	R/W	48	37
CR19	Signal Field (QPSK - Mod Walsh Sequence)	R/W	4C	6E
CR20	TX Signal Field	R/W	50	00/01/02/03
CR21	TX Service Field	R/W	54	00
CR22	TX Length Field (High)	R/W	58	FF
CR23	TX Length Field (Low)	R/W	5C	FF
CR24	RX Status	R	60	X
CR25	RX Service Field Status	R	64	X
CR26	RX Length Field Status (High)	R	68	X
CR27	RX Length Field Status (Low)	R	6C	X
CR28	Test Bus Address	R/W	70	00
CR29	Test Bus Monitor	R	74	X
CR30	Test Register 1	R/W	78	00
CR31	RX Control MBOK/CCK	R/W	7C	00

NOTE:

- 6. To provide CCK functionality, these registers must be programmed in two passes. Once with CR5 bit 7 as a 0 and once with it as a 1.

## Control Registers

The following tables describe the function of each control register along with the associated bits in each control register.

### CONFIGURATION REGISTER 0 ADDRESS (0h) PART/VERSION CODE

Bit 7:4	Part Code 0 = HFA3860 series
Bit 3:0	Version Code 3 = 3860B Version

### CONFIGURATION REGISTER 1 ADDRESS (04h) I/O POLARITY

	This register is used to define the phase of clocks and other interface signals. 00h is normal setting.
Bit 7	This controls the phase of the RX_CLK output Logic 1 = Invert Clk Logic 0 = Non-Inverted Clk
Bit 6	This control bit selects the active level of the MD_RDY output pin 34. Logic 1 = MD_RDY is Active 0 Logic 0 = MD_RDY is Active 1
Bit 5	This control bit selects the active level of the Clear Channel Assessment (CCA) output pin 32. Logic 1 = CCA Active 1 Logic 0 = CCA Active 0
Bit 4	This control bit selects the active level of the Energy Detect (ED) output which is an output pin at the test port, pin 44. Logic 1 = ED Active 0 Logic 0 = ED Active 1
Bit 3	This control bit selects the active level of the Carrier Sense (CRS) output pin which is an output pin at the test port, pin 45. Logic 1 = CRS Active 0 Logic 0 = CRS Active 1
Bit 2	This control bit selects the active level of the transmit enable (TX_PE) input pin 2. Logic 1 = TX_PE Active 0 Logic 0 = TX_PE Active 1
Bit 1	This control bit selects the phase of the transmit output clock (TXCLK) pin 4. Logic 1 = Inverted TXCLK Logic 0 = NON-Inverted TXCLK
Bit 0	Reserved, must be set to 0.

### CONFIGURATION REGISTER 2 ADDRESS (08h) TX AND RX CONTROL

Write to control, Read to verify control, setup while TX\_PE and RX\_PE are low

Bit 7	MCLK control. 0 = 44MHz All signal modes supported. 1 = 22MHz 1 and 2MBPS, B/QPSK 11 Chip sequence mode only. Reduced power mode.
Bit 6	TX Rotation 0 = Normal 1 = Invert Q Out
Bit 5	RX Rotation 0 = Normal 1 = Invert Q IN
Bit 4	A/D Calibration 0 = A/D_CAL Off 1 = A/D_CAL On
Bit 3	A/D Calibration control (only valid if A/D Calibration is on). 0 = A/D Calibration only while in receive tracking mode (A/D Calibration set on signals only). 1 = A/D Calibration while receive RX_PE is active (in this mode, the A/D Calibration will be set primarily on noise).
Bit 2	This bit enables/disables energy detect (ED) for the CCA function. 0 = ED Off 1 = ED On

## HFA3860B

### CONFIGURATION REGISTER 2 ADDRESS (08h) TX AND RX CONTROL (Continued)

Write to control, Read to verify control, setup while TX\_PE and RX\_PE are low

Bit 1	MD_RDY Start. Sets where MD_RDY will become active. 0 = After SFD detect (normal). This allows the header fields to be enveloped by MD_RDY. 1 = After Header CRC verify and start of MPDU. Header data can be read from Configuration Registers.
Bit 0	TX and RX Clock 0 = Enable Gated clocks (normal). RX clock will come on to clock out header fields, go off during CRC and come back on for MPDU data. Header rate is 1MHz, data rate is variable. TXCLK comes on after TXRDY active. 1 = Clocks start as soon as modem starts tracking and remain on until either header checks fail or until RX_PE goes back low. This is only usable in the 1 and 2MBPS modes. TXCLK comes on after TX_PE active.

### CONFIGURATION REGISTER 3 ADDRESS (0Ch) A/D CAL POS

Bits 0 - 7	This 8-bit control register contains a binary value used for positive increment for the level adjusting circuit of the A/D reference. The larger the step the faster the A/D Calibration settles.
------------	---

### CONFIGURATION REGISTER 4 ADDRESS (10h) A/D CAL NEG

Bits 0 - 7	This 8-bit control register contains a binary value used for the negative increment for the level adjusting circuit of the A/D reference. The number is programmed as 256 - the value wanted since it is a negative number.
------------	---

### CONFIGURATION REGISTER 5 ADDRESS (14h) CCA ANTENNA CONTROL

Bit 7	Selects definition of CR 16 and CR 17 0 = registers CR 16 and CR 17 defined as Signal definition fields 1 = those registers hold the cover code for the CCK modulation
Bit 6	Reserved, set to 0
Bit 5	0 = Normal 1 = A/D timing adjustment during acquisition, deassertion of RxPE required to activate.
Bit 4	0 = Normal 1 = Delayed bit sync accumulation
Bit 3	0 = Normal 1 = Use multipath antenna selection (SQ3)
Bit 2	RX Diversity 0 = Off Single antenna, can use A or B (see bits 1:0). 1 = On Antenna switches during acquisition every 16 us. Starts cycle on antenna defined by bits 1:0.
Bits 1:0	CCA Antenna mode. Defines the antenna to be used at the start of acquisition for CCA checking and for subsequent transmission. TX antenna is always the same as used to check CCA. Controls antenna selection via the ANT_SEL pin. 00 = Use last Receive antenna for CCA checking and TX. Acquisition starts on the antenna which had a valid header on last reception. 01 = Illegal State - Unknown Behavior 10 = Use antenna B for CCA and TX (single antenna). AntSel = 0 11 = Use antenna A for CCA and TX (single antenna). AntSel = 1

### CONFIGURATION REGISTER 6 ADDRESS (18h) PREAMBLE LENGTH

Bits 0 - 7	This register contains the count for the Preamble length counter. Setup while TX_PE is low. For IEEE 802.11 use 80h. For other than IEEE 802.11 applications, in general increasing the preamble length will improve low signal to noise acquisition performance at the cost of greater link overhead. For dual receive antenna operation, the minimum suggested value is 128d = 80h. For single receive antenna operation, the minimum suggested value is 80d = 50h. These suggested values include a 2 symbol TX power amplifier ramp up. If you program 128 you get 130.
------------	---

### CONFIGURATION REGISTER 7 ADDRESS (1Ch) SCRAMBLER TAPS

Bit 7	0 = Normal, RX_PE Enables/Disables the internal receive clock. 1 = Internal receive clock is always enabled.
-------	--



**CONFIGURATION REGISTER 7 ADDRESS (1Ch) SCRAMBLER TAPS (Continued)**

Bits 6:0	This register is used to configure the transmit scrambler with a 7-bit polynomial tap configuration. The transmit scrambler is a 7-bit shift register, with 7 configurable taps. A logic 1 is the respective bit position enables that particular tap. The example below illustrates the register configuration for the polynomial $F(x) = 1 + X^{-4} + X^{-7}$ . Each clock is a shift left.		
			<b>LSB</b>
	Bits (6:0)		6 5 4 3 2 1 0
	Term		$X^{-7}X^{-6}X^{-5}X^{-4}X^{-3}X^{-2}X^{-1}$
	Scrambler Taps	$F(x) = 1 + X^{-4} + X^{-7}$	1 0 0 1 0 0 0

**CONFIGURATION REGISTER 8 ADDRESS (20h) SQ1 ACQ THRESHOLD (HIGH)**

Bits 0 - 7	This control register contains the upper byte bits (8 - 14) of the bit sync amplitude signal quality threshold used for acquisition. This register combined with the lower byte represents a 15-bit threshold value for the bit sync amplitude signal quality measurements made during acquisition at each antenna dwell. This threshold comparison is added with the SQ2 threshold in registers 10 and 11 for acquisition. A lower value on this threshold will increase the probability of detection and the probability of false alarm.
------------	--

**CONFIGURATION REGISTER 9 ADDRESS (24h) SQ1 ACQ THRESHOLD (LOW)**

Bits 0 - 7	This control register contains the lower byte bits (0 - 7) of the bit sync amplitude signal quality threshold used for acquisition. This register combined with the upper byte represents a 15-bit threshold value for the bit sync amplitude signal quality measurement made during acquisition at each antenna dwell.
------------	---

**CONFIGURATION REGISTER 10 ADDRESS (28h) SQ2 ACQ THRESHOLD (HIGH)**

Bits 0 - 7	This control register contains the upper byte bits (8 - 15) of the carrier phase variance threshold used for acquisition. This register combined with the lower byte represents a 16-bit threshold value for carrier phase variance measurement made during acquisition at each antenna dwell and is based on the choice of the best antenna. This threshold is used with the bit sync threshold in registers 8 and 9 to declare acquisition. A higher value in this threshold will increase the probability of acquisition and false alarm.
------------	--

**CONFIGURATION REGISTER 11 ADDRESS (2Ch) SQ2 ACQ THRESHOLD (LOW)**

Bits 0 - 7	This control register contains the lower byte bits (0 - 7) of the carrier phase variance threshold used for acquisition.
------------	--

**CONFIGURATION REGISTER 12 ADDRESS (30h) SQ1 CCA THRESHOLD (HIGH)**

Bits 0 - 7	This control register contains the upper byte bits (8 - 14) of the bit sync amplitude signal quality threshold used for CCA estimation. This register combined with the lower byte represents a 15-bit threshold value for the bit sync amplitude signal quality measurement made during acquisition on CCA antenna dwell. A lower value on this threshold will increase the probability of detection and the probability of false alarm. Set the threshold according to instructions in the text.
------------	--

**CONFIGURATION REGISTER 13 ADDRESS (34h) SQ1 CCA THRESHOLD (LOW)**

Bits 0 - 7	This control register contains the lower byte bits (0 - 7) of the bit sync amplitude signal quality threshold used for CCA. This register combined with the upper byte represents a 15-bit threshold value for the bit sync amplitude signal quality measurement made during acquisition on CCA antenna dwell.
------------	--

**CONFIGURATION REGISTER 14 ADDRESS (38h) ED OR RSSI THRESHOLD**

Bit 7:6	R/W, But Not Used Internally		
Bits 5:0	This register contains the value for the RSSI threshold for measuring and generating energy detect (ED). When the RSSI exceeds the threshold ED is declared. ED indicates the presence of energy in the channel.		
		<b>MSB</b>	<b>LSB</b>
	Bits (0:5)	5 4 3 2 1 0	
		0 0 0 0 0 0	00h (Min)
	RSSI_STAT	1 1 1 1 1 1	3Fh (Max)
	To disable the ED signal so that it has no affect on the CCA logic, the threshold must be set to a 3Fh (all ones).		

**CONFIGURATION REGISTER 15 ADDRESS (3Ch) SFD TIMER**

Bits 7:0	This register is programmed with an 8-bit value which represents the length of time for the demodulator to search for a SFD in a receive Header. Each bit increment represents 1 symbol period. Failure to find the SFD will result in a return to acquisition mode.
----------	--

**CONFIGURATION REGISTER 16 ADDRESS (40h) SIGNAL FIELD DBPSK/ CCK QCOVER**

Bits 7:0	This register contains an 8-bit value defining the data packet modulation as DBPSK. This value will be a 0Ah for 802.11, and is used in the transmitted Signalling Field of the header. This value will also be used for detecting the modulation type on the received Header. When CR 5-bit 7 is a '1', this register address points to a shadow register holding the Q cover code. The nominal value of the Q cover code is 48h. To provide CCK functionality, this register address must be programmed in two passes. Once with CR5 bit 7 as a 1 and once with it as a 0.
----------	---

**CONFIGURATION REGISTER 17 ADDRESS (44h) SIGNAL FIELD DQPSK/ CCK ICOVER**

Bits 7:0	This register contains the 8-bit value defining the data packet modulation as DQPSK. This value will be a 14h for operation at a data rate of 2MBPS and is used in the transmitted Signalling Field of the header. This value will also be used for detecting the modulation type on the received header. When CR 5 bit 7 is a '1', this register address points to a shadow register holding the I cover code. The nominal value of the I cover code is 48h. To provide CCK functionality, this register address must be programmed in two passes. Once with CR5 bit 7 as a 1 and once with it as a 0.
----------	--

**CONFIGURATION REGISTER 18 ADDRESS (48h) SIGNAL FIELD BMBOK/CCK**

Bits 7:0	This register contains the 8-bit value defining the data packet modulation as BMBOK. This value will be a 37h for operation at a data rate of 5.5MBPS and is used in the transmitted Signalling Field of the header. This value will also be used for detecting the modulation type on the received header.
----------	---

**CONFIGURATION REGISTER 19 ADDRESS (4Ch) SIGNAL FIELD QMBOK/CCK**

Bits 7:0	This register contains the 8-bit value defining the data packet modulation as QMBOK. This value will be a 6Eh for operation at a data rate of 11MBPS and is used in the transmitted Signalling Field of the header. This value will also be used for detecting the modulation type on the received header.
----------	--

**CONFIGURATION REGISTER 20 ADDRESS (50h) TX SIGNAL FIELD**

Bits 7:3	R/W, But Not Used Internally
Bit 2	0 = Normal 1 = Transmit QPSK (2MBPS) with no header, bits 1:0 must be 00 (see Tech Brief 365)
Bits 1:0	TX data Rate. Must be set at least 2 $\mu$ s before needed in TX frame. This selects TX signal field code from the registers above. 00 = DBPSK - 11 chip sequence (1MBPS) 01 = DQPSK - 11 chip sequence (2MBPS) 10 = BMBOK - modified 8 chip Walsh sequence (5.5MBPS) 11 = QMBOK - modified 8 chip Walsh sequence (11MBPS)

**CONFIGURATION REGISTER 21 ADDRESS (54h) TX SERVICE FIELD**

Bits 7:0	This 8-bit register is programmed with the 8-bit value of the Service field to be transmitted in the Header. This field is reserved for future use and should always be set to 00h.
----------	---

**CONFIGURATION REGISTER 22 ADDRESS (58h) TX LENGTH FIELD (HIGH)**

Bits 7:0	This 8-bit register contains the higher byte (bits 8 - 15) of the transmit Length Field described in the Header. This byte combined with the lower byte indicates the number of microseconds the data packet will take.
----------	---

**CONFIGURATION REGISTER 23 ADDRESS (5Ch) TX LENGTH FIELD (LOW)**

Bits 7:0	This 8-bit register contains the lower byte (bits 0 - 7) of the transmit Length Field described in the Header. This byte combined with the higher byte indicates the number of microseconds the data packet will take.
----------	--

**CONFIGURATION REGISTER 24 ADDRESS (60h) RX STATUS**

This read only register is provided for MACs that can't process the header fields from the RXD port.

Bits 7:6	RX signal field detected (set to 00 when RXPE inactive) 00 = DBPSK - 11 Chip Sequence (1MBPS) 01 = DQPSK - 11 Chip Sequence (2MBPS) 10 = BMBOK - modified 8 chip Walsh sequence / CCK (5.5MBPS) 11 = QMBOK - modified 8 chip Walsh sequence / CCK (11MBPS)
Bit 5	Search/Acquisition Status (set to 0 when RX_PE is inactive) 0 = Searching 1 = Carrier Acquired

**CONFIGURATION REGISTER 24 ADDRESS (60h) RX STATUS**

This read only register is provided for MACs that can't process the header fields from the RXD port.

Bit 4	SFD search status (set to 0 when RX_PE is inactive) 0 = Searching 1 = SFD Found
Bit 3	Signal Field Valid (set to 0 when RX_PE is inactive) signal field must be one of the 4 field values in CR 16 to CR19 0 = Not Valid 1 = Valid
Bit 2	Valid header CRC (set to 0 when RX_PE is inactive) 0 = Not Valid 1 = Valid
Bit 1	Antenna received on. Indicates antenna the receiver was on when last valid CRC check occurred. 0 = Antenna B 1 = Antenna A
Bit 0	Always 0

**CONFIGURATION REGISTER 25 ADDRESS (64h) RX SERVICE FIELD STATUS**

Bits 7:0	This register contains the detected received 8-bit value of the Service Field for the Header. This field is reserved for future use. It should be the value programmed into register 21 of the transmitter.
----------	---

**CONFIGURATION REGISTER 26 ADDRESS (68h) RX LENGTH FIELD STATUS (HIGH)**

Bits 7:0	This register contains the detected higher byte (bits 8 - 15) of the received Length Field contained in the Header. This byte combined with the lower byte indicates the number of transmitted bits in the data packet.
----------	---

**CONFIGURATION REGISTER ADDRESS 27 (6Ch) RX LENGTH FIELD STATUS (LOW)**

Bits 7:0	This register contains the detected lower byte of the received Length Field contained in the Header. This byte combined with the upper byte indicates the number of transmitted bits in the data packet.
----------	--

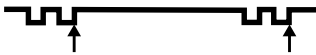
**CONFIGURATION REGISTER 28 ADDRESS (70h) TEST BUS ADDRESS**

Supplies address for test pin outputs and Test Bus Monitor Register

Bits 7:0	<b>Test Bus Address = 00h</b> <b>Quiet Test Bus</b> Test 7:0 = 00 TEST_CLK = 0
Bits 7:0	<b>Test Bus Address = 01h</b> <b>RX Acquisition Monitor</b> These bits sequentially go high as the signal is input. Transitions are aligned to chip boundaries. Bits are reset after last chip of message. Test 7 = A/D Cal (Full Scale) Test 6 = CRS, Carrier Sense Test 5 = ED, energy detect comparator output Test 4 = Track, indicates start of tracking and start of SFD time-out Test 3 = SFD Detect, variable time after track start Test 2 = Signal Field Ready, ~ 8µs after SFD Detect Test 1 = Length Field Ready, ~ 32µs after SFD Detect Test 0 = Header CRC Valid, ~ 48µs after SFD Detect TEST_CLK = Initial Detect
Bits 7:0	<b>Test Bus Address = 02h</b> <b>TX Field Monitor.</b> These bits sequentially go high as the signal is output. Transitions are aligned to chip boundaries. Bits are reset after last chip of valid message. Test 7 = A/D Cal (Full Scale) Test 6 = TXPE Internal, Inactive edge of pad TXPE delayed Test 5 = Preamble Start Test 4 = SFD Start Test 3 = Signal Field Start Test 2 = Length Field Start Test 1 = Header CRC Start Test 0 = MPDU Start TEST_CLK = IQMARK, identifies symbol boundaries on IOUT and QOUT

**CONFIGURATION REGISTER 28 ADDRESS (70h) TEST BUS ADDRESS (Continued)**

Supplies address for test pin outputs and Test Bus Monitor Register

Bits 7:0	<p><b>Test Bus Address = 03h</b>  <b>RSSI Monitor</b>                  Test 7 = CSE Enhanced. Used in enhanced CCA dual antenna mode.                  Test 6 = CSE, Carrier Sense Early (SQI CCA Only)                  Test 5:0 = RSSI(5:), bit 5 is MSB, straight binary (000000 = Min, 11111 = Max)                  TEST_CLK = RSSI A/D CLK, Sample RSSI(5:0) on last rising edge</p>	
Bits 7:0	<p><b>Test Bus Address = 04h</b>  <b>SQ1 Monitor</b>                  Test 7:0 = SQ1 (7:0)                  TEST_CLK = pulse after SQ is valid</p>	
Bits 7:0	<p><b>Test Bus Address = 05h</b>  <b>SQ2 Monitor</b> - SQ3 output if SQ3 used for antenna diversity.                  Test 7:0 = SQ2 (7:0)                  TEST_CLK = pulse after SQ is valid</p>	
Bits 7:0	<p><b>Test Bus Address = 06h</b>  <b>Correlator Lo Rate</b>                  Test 7:0 = Correlator Magnitude Lo Rate Only                  TEST_CLK = Sample CLK</p>	
Bits 7:0	<p><b>Test Bus Address = 07h</b>  <b>Freq Test Lo Rate</b>                  Test 7:0 = Freq Reg Lo Rate (18:11)                  TEST_CLK = SUBSAMPLECLK (Symbol Clock)</p>	
Bits 7:0	<p><b>Test Bus Address = 08h</b>  <b>Phase Test Lo Rate</b>                  Test 7:0 = Phase Reg Lo Rate (7:0)                  TEST_CLK = SUBSAMPLECLK (Symbol Clock)</p>	
Bits 7:0	<p><b>Test Bus Address = 09h</b>  <b>NCO Test Lo Rate</b>                  Test 7:0 = NCO Reg Lo Rate (15:8)                  TEST_CLK = SUBSAMPLECLK (Symbol Clock)</p>	
Bits 7:0	<p><b>Test Bus Address = 0Ah</b>  <b>Bit Sync Accum Lo Rate</b>                  Test 7:0 = Bit Sync Accumulator (7:3), exponent (2:0)                  TEST_CLK = Last symbol indicator</p>	
Bits 7:0	<p><b>Test Bus Address = 0Bh</b>  <b>Test PN Gen.,</b> Factory Test Only                  Test 7:0 +TEST_CLK = Top 9 bits of PN generator used for fault tests.</p>	
Bits 7:0	<p><b>Test Bus Address = 0Ch</b>  <b>A/D Cal Test Mode</b>                  Test 7 = A/D CAL (Full Scale)                  Test 6 = ED, Energy Detect Comparator Output                  Test 5 = A/D_CAL Disable                  Test(4:0) = A/D_Cal(4:0)                  TEST_CLK = A/D_Cal CLK</p>	
Bits 7:0	<p><b>Test Bus Address = 0Dh</b>  <b>Correlator I High Rate,</b> tests the MBOK I correlator output.                  Test 7:0 = Correlator I Hi Rate (8:1)                  TEST_CLK = Sample CLK</p>	
Bits 7:0	<p><b>Test Bus Address = 0Eh</b>  <b>Correlator Q High Rate,</b> tests the MBOK Q correlator output.                  Test 7:0 = Correlator Q Hi Rate (8:1)                  TEST_CLK = Sample CLK</p>	
Bits 7:0	<p><b>Test Bus Address = 0Fh</b>  <b>Chip Error Accumulator,</b>                  Test 7:0 = Chip Error Accumulator (14:7)                  TEST_CLK = 0</p>	

**CONFIGURATION REGISTER 28 ADDRESS (70h) TEST BUS ADDRESS (Continued)**

Supplies address for test pin outputs and Test Bus Monitor Register

Bits 7:0	<p><b>Test Bus Address = 10h</b>  <b>NCO Test Hi Rate</b>, tests the NCO in the high rate tracking section.                      Test 7:0 = NCO Accum (19:12)                      TEST_CLK = Sample CLK</p>
Bits 7:0	<p><b>Test Bus Address = 11h</b>  <b>FREQ Test Hi Rate</b>, tests the NCO lag accumulator in the high rate tracking section.                      Test 7:0 = Lag Accum (18:11)                      TEST_CLK = Sample CLK</p>
Bits 7:0	<p><b>Test Bus Address = 12h</b>  <b>Carrier Phase Error Hi Rate</b>                      Test 7:0 = Carrier Phase Error (6,6:0)                      TEST_CLK = Sample CLK</p>
Bits 7:0	<p><b>Test Bus Address = 13h</b>  <b>I_ROT Hi Rate</b>, tests the I Channel phase rotation error signal.                      Test 7:0 = I_ROT (5,5,5:0)                      TEST_CLK = Sample CLK</p>
Bits 7:0	<p><b>Test Bus Address = 14h</b>  <b>Q_ROT Hi Rate</b>                      Test 7:0 = Q_ROT (5,5,5:0)                      TEST_CLK = Sample CLK</p>
Bits 7:0	<p><b>Test Bus Address = 15h</b>  <b>I A/D, Q A/D</b>, tests the I and Q Channel 3-bit A/D Converters.                      Test 7:6 = 0                      Test 5:3 = I_A/D (2:0)                      Test 2:0 = Q_A/D (2:0)                      TEST_CLK = Sample CLK</p>
Bits 7:0	<p><b>Test Bus Address = 16h</b>  <b>XOR Hi Rate</b>, Factory Test Only                      Test 7:0 + TEST_CLK = 9 bits of registered XOR test data from the high rate logic.</p>
Bits 7:0	<p><b>Test Bus Address = 17h</b>  <b>XOR Fast</b>, Factory Test Only                      Test 7:0 + TEST_CLK = 9 bits of registered XOR test data from the low rate logic.</p>
Bits 7:0	<p><b>Test Bus Address = 18h</b>  <b>Timing Test</b>, tests the receiver timing.                      Test 7 = JMPCLK                      Test 6 = JMPCNT                      Test 5 = SUBSAMPLECLK                      Test 4:0 = MASTERTIM (4:0)                      TEST_CLK = Sample CLK</p>
Bits 7:0	<p><b>Test Bus Address = 19h</b>  <b>A/D Cal Accum Lo</b>, tests the lo bits of the A/D cal accumulator.                      Test 7:0+TestCLK = A/D Cal Accum (8:0)</p>
Bits 7:0	<p><b>Test Bus Address = 1Ah</b>  <b>A/D Cal Accum Hi</b>, tests the hi bits of the A/D cal accumulator.                      Test 7:0+TestCLK = A/D Cal Accum (17:9)</p>
Bits 7:0	<p><b>Test Bus Address = 1Bh</b>  <b>Freq Accum Lo</b>, tests the frequency accumulator of the low rate section.                      Test 7:0+TestCLK = Freq Accum (15:7)</p>
Bits 7:0	<p><b>Test Bus Address = 1Ch</b>  <b>Slow XOR</b>, Factory Test                      Test 7:0 = 8 bits of registered XOR test data from the low rate logic                      TEST_CLK = SUBSAMPLECLK</p>
Bits 7:0	<p><b>Test Bus Address = 1Dh</b>  <b>SQ2 Monitor Hi</b> - SQ3 if SQ3 used for antenna diversity                      Test 7:0 = SQ2 (15:8)                      TEST_CLK = pulse after SQ is valid</p>

## HFA3860B

### CONFIGURATION REGISTER 28 ADDRESS (70h) TEST BUS ADDRESS (Continued)

Supplies address for test pin outputs and Test Bus Monitor Register

Bits 7:0	<b>Test Bus Address = 1Eh to 1Fh</b> <b>Reserved</b> Test 7:0 + TestCLK = 0
----------	---

### CONFIGURATION REGISTER 29 ADDRESS (74h) TEST BUS MONITOR

Bits 7:0	Maps test bus pins 7:0 to read only value 7:0 when test bus address is supplied by CR 28
----------	--

### CONFIGURATION REGISTER 30 ADDRESS (78h) TEST REGISTER 1

Bits 7	PN Generator for Fault Test 0 = Normal 1 = Enabled
Bit 6	High rate Jump Clock Control 0 = Enable HR Jmpclk 1 = Disable HR Jmpclk
Bit 5	HR Demod XOR to Test Bus Enable 0 = Normal 1 = Enabled
Bit 4	Random Address to Test Bus 0 = Normal 1 = Enabled
Bit 3	Faster Cal 0 = Normal 1 = Enabled When enabled, the 1kHz clock used to update the A/D cal bits is increased to 22kHz.
Bit 2	A/D Cal Test Mode 0 = Normal 1 = Enabled When enabled, the 5 A/D cal bits come from CR3<4:0> to allow direct control.
Bit 1	A/D Test Mode 0 = Normal 1 = Enabled When enabled, this bit causes all 12 bits of A/D outputs (6 RSSI, 3 I, 3 Q) to be directly output on pins of the HFA3860B. Modem is nonfunctional.
Bit 0	Loop Back 0 = Normal 1 = Enabled When enabled, this bit routes the I and Q outputs to the I and Q inputs of the modem. The 3-bit I&Q A/Ds are bypassed.

### CONFIGURATION REGISTER 31 ADDRESS (7Ch) RX CONTROL

Bits 7:5	R/W but not currently used internally, should be set to zero to ensure compatibility with future revisions.
Bit 4	Waveform modulation selection for 5.5 and 11Mbps 0 = BMBOK/QMBOK (Binary M-ary Bi-orthogonal Keying or Quaternary M-ary Bi-orthogonal Keying) 1 = CCK (Complementary Code Keying)
Bit 3	Type of differential encoding/decoding scheme for 5.5 and 11Mbps CCK modulation 0 = Standard differential encoding/decoding 1 = Differential encoding/decoding with odd symbols given an extra 180 degree rotation (IEEE 802.11 compliant)
Bit 2	RX QPSK Acquire 0 = Normal, will not acquire on QPSK, only on BPSK 1 = Acquire on QPSK (2MBPS) see Tech Brief 365.
Bit 1	Disable Control 0 = ED disabled after MD_RDY active 1 = ED runs continuously
Bit 0	CCA Type Select 1 = RAW CCA, updates every ANT Dwell 0 = Enhanced CCA



**Absolute Maximum Ratings**

Supply Voltage . . . . . 7.0V  
 Input, Output or I/O Voltage . . . . . GND -0.5V to V<sub>CC</sub> +0.5V  
 ESD Classification . . . . . Class 2

**Operating Conditions**

Voltage Range . . . . . +2.70V to +3.60V  
 Temperature Range . . . . . -40°C to 85°C

**Thermal Information**

Thermal Resistance (Typical, Note 7) θ<sub>JA</sub> (°C/W)  
 TQFP Package . . . . . 80  
 Maximum Storage Temperature Range . . . . . -65°C to 150°C  
 Maximum Junction Temperature . . . . . 150°C  
 Maximum Lead Temperature (Soldering 10s) . . . . . 300°C  
 (Lead Tips Only)

**Die Characteristics**

Gate Count . . . . . 56,000 Gates

*CAUTION: Stresses above those listed in "Absolute Maximum Ratings" may cause permanent damage to the device. This is a stress only rating and operation of the device at these or any other conditions above those indicated in the operational sections of this specification is not implied.*

**NOTE:**

7. θ<sub>JA</sub> is measured with the component mounted on an evaluation PC board in free air.

**DC Electrical Specifications** V<sub>CC</sub> = 3.0V to 3.3V ±10%, T<sub>A</sub> = -40°C to 85°C

PARAMETER	SYMBOL	TEST CONDITIONS	MIN	TYP	MAX	UNITS
Power Supply Current	I <sub>CCOP</sub>	V <sub>CC</sub> = 3.6V, CLK Frequency 44MHz (Notes 8, 9)	-	30	40	mA
Standby Power Supply Current	I <sub>CCSB</sub>	V <sub>CC</sub> = Max, Outputs Not Loaded	-	0.5	1	mA
Input Leakage Current	I <sub>I</sub>	V <sub>CC</sub> = Max, Input = 0V or V <sub>CC</sub>	-10	1	10	μA
Output Leakage Current	I <sub>O</sub>	V <sub>CC</sub> = Max, Input = 0V or V <sub>CC</sub>	-10	1	10	μA
Logical One Input Voltage	V <sub>IH</sub>	V <sub>CC</sub> = Max, Min	0.7 V <sub>CC</sub>	-	-	V
Logical Zero Input Voltage	V <sub>IL</sub>	V <sub>CC</sub> = Min, Max	-	-	V <sub>CC</sub> /3	V
Logical One Output Voltage	V <sub>OH</sub>	I <sub>OH</sub> = -1mA, V <sub>CC</sub> = Min	V <sub>CC</sub> -0.2	-	-	V
Logical Zero Output Voltage	V <sub>OL</sub>	I <sub>OL</sub> = 2mA, V <sub>CC</sub> = Min	-	0.08	0.2	V
Input Capacitance	C <sub>IN</sub>	CLK Frequency 1MHz. All measurements referenced to GND. T <sub>A</sub> = 25°C, Note 9	-	5	10	pF
Output Capacitance	C <sub>OUT</sub>		-	5	10	pF

**NOTES:**

- 8. Output load 30pF.
- 9. Not tested, but characterized at initial design and at major process/design changes.

**Electrical Specifications** V<sub>CC</sub> = 3.0V to 3.3V ±10%, T<sub>A</sub> = -40°C to 85°C (Note 10)

PARAMETER	SYMBOL	MCLK = 44MHz		UNITS
		MIN	MAX	
MCLK Period	t <sub>CP</sub>	22.5	-	ns
MCLK Duty Cycle		43/57	57/43	%
Rise/Fall (All Outputs)		-	10	ns (Notes 11, 12)
TX_PE to IOUT/QOUT (1st Valid Chip)	t <sub>D1</sub>	2.18	2.3	μs (Notes 11, 13)
TX_PE Inactive Width	t <sub>TLP</sub>	2.22	-	μs (Notes 11, 14)
TX_CLK Width Hi or Low	t <sub>TCD</sub>	40	-	ns
TX_RDY Active to 1st TX_CLK Hi	t <sub>RC</sub>	260	-	ns
Setup TXD to TX_CLK Hi	t <sub>TDS</sub>	30	-	ns
Hold TXD to TX_CLK Hi	t <sub>TDH</sub>	0	-	ns
TX_CLK to TX_PE Inactive (1Mbps)	t <sub>PEH</sub>	0	965	ns (Notes 11, 24)
TX_CLK to TX_PE Inactive (2Mbps)	t <sub>PEH</sub>	0	420	ns (Notes 11, 24)
TX_CLK to TX_PE Inactive (5.5Mbps)	t <sub>PEH</sub>	0	160	ns (Notes 11, 24)
TX_CLK to TX_PE Inactive (11Mbps)	t <sub>PEH</sub>	0	65	ns (Notes 11, 24)
TX_RDY Inactive To Last Chip of MPDU Out	t <sub>RI</sub>	-20	20	ns

**Electrical Specifications**  $V_{CC} = 3.0V$  to  $3.3V \pm 10\%$ ,  $T_A = -40^{\circ}C$  to  $85^{\circ}C$  (Note 10) (Continued)

PARAMETER	SYMBOL	MCLK = 44MHz		UNITS
		MIN	MAX	
TXD Modulation Extension	$t_{ME}$	2	-	$\mu s$ (Notes 11, 15)
RX_PE Inactive Width	$t_{RLP}$	70	-	ns (Notes 11, 16)
RX_CLK Period (11Mbps Mode)	$t_{RCP}$	77	-	ns
RX_CLK Width Hi or Low (11Mbps Mode)	$t_{RCD}$	31	-	ns
RX_CLK to RXD	$t_{RDD}$	25	60	ns
MD_RDY to 1st RX_CLK	$t_{RD1}$	940	-	ns (Notes 11, 19)
RXD to 1st RX_CLK	$t_{RD1}$	940	-	ns
Setup RXD to RX_CLK	$t_{RDS}$	31	-	ns
RX_CLK to RX_PE Inactive (1Mbps)	$t_{REH}$	0	925	ns (Notes 11, 17)
RX_CLK to RX_PE Inactive (2Mbps)	$t_{REH}$	0	380	ns (Notes 11, 17)
RX_CLK to RX_PE Inactive (5.5Mbps)	$t_{REH}$	0	140	ns (Notes 11, 17)
RX_CLK to RX_PE Inactive (11Mbps)	$t_{REH}$	0	50	ns (Notes 11, 17)
RX_PE inactive to MD_RDY Inactive	$t_{RD2}$	5	30	ns (Note 18)
Last Chip of SFD in to MD_RDY Active	$t_{RD3}$	2.77	2.86	$\mu s$ (Notes 11, 19)
RX Delay		2.77	2.86	$\mu s$ (Notes 11, 20)
RESET Width Active	$t_{RPW}$	50	-	ns (Notes 11, 21)
RX_PE to CCA Valid	$t_{CCA}$	-	16	$\mu s$ (Notes 11, 22)
RX_PE to RSSI Valid	$t_{CCA}$	-	16	$\mu s$ (Notes 11, 22)
ANTSEL Lead Time		820	-	ns (Notes 11, 23)
SCLK Clock Period	$t_{SCP}$	90	-	ns
SCLK Width Hi or Low	$t_{SCW}$	20	-	ns
Setup to SCLK + Edge (SD, SDI, R/W, CS)	$t_{SCS}$	30	-	ns
Hold Time from SCLK + Edge (SD, SDI, R/W, CS)	$t_{SCH}$	0	-	ns
SD Out Delay from SCLK + Edge	$t_{SCD}$	-	30	ns
SD Out Enable/Disable from R/W or CS	$t_{SCED}$	-	15	ns (Note 11)
TEST 0-7, CCA, ANTSEL, TEST_CK from MCLK	$t_{D2}$	-	40	ns

NOTES:

10. AC tests performed with  $C_L = 40pF$ ,  $I_{OL} = 2mA$ , and  $I_{OH} = -1mA$ . Input reference level all inputs 1.5V. Test  $V_{IH} = V_{CC}$ ,  $V_{IL} = 0V$ ;  $V_{OH} = V_{OL} = V_{CC}/2$ .
11. Not tested, but characterized at initial design and at major process/design or guaranteed by simulations.
12. Measured from  $V_{IL}$  to  $V_{IH}$ .
13.  $I_{OUT}/Q_{OUT}$  are modulated before first valid chip of preamble is output to provide ramp up time for RF/IF circuits.
14. TX\_PE must be inactive before going active to generate a new packet.
15.  $I_{OUT}/Q_{OUT}$  are modulated after last chip of valid data to provide ramp down time for RF/IF circuits.
16. RX\_PE must be inactive at least 3 MCLKs before going active to start a new CCA or acquisition.
17. RX\_PE active to inactive delay to prevent next RX\_CLK.
18. Assumes RX\_PE inactive after last RX\_CLK.
19. MD\_RDY programmed to go active after SFD detect. (Measured from  $I_{IN}$ ,  $Q_{IN}$ ).
20. MD\_RDY programmed to go active at MPDU start. Measured from first chip of first MPDU symbol at  $I_{IN}$ ,  $Q_{IN}$  to MD\_RDY active.
21. Minimum time to insure Reset. RESET must be followed by an RX\_PE pulse to insure proper operation. This pulse should not be used for first receive or acquisition.
22. CCA and RSSI are measured once during the first 16 $\mu s$  interval following RX\_PE going active. RX\_PE must be pulsed to initiate a new measurement. RSSI may be read via serial port or from Test Bus.
23. ANTSEL is switched in diversity mode before acquisition cycle to compensate for delays in IF circuits. The correlators will be 100X(820ns - TdRFns)/990ns% full of new data at the beginning of bit sync accumulation. TdRFns is the settling time of the RF circuits after ANTSEL switches.
24. Delay from TXCLK to inactive edge of TXPE to prevent next TXCLK. Because TXPE asynchronously stops TXCLK, TXPE going inactive within 40ns of TXCLK will cause TXCLK minimum hi time to be less than 40ns.

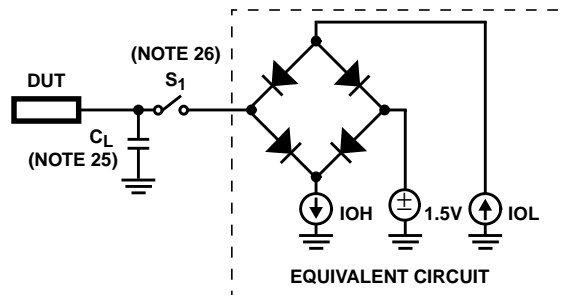
**I and Q A/D AC Electrical Specifications** (Note 11)

PARAMETER	MIN	TYP	MAX	UNITS
Full Scale Input Voltage ( $V_{P-P}$ )	0.25	0.50	1.0	V
Input Bandwidth (-0.5dB)	-	20	-	MHz
Input Capacitance	-	5	-	pF
Input Impedance (DC)	5	-	-	k $\Omega$
FS (Sampling Frequency)	-	-	22	MHz

**RSSI A/D Electrical Specifications** (Note 11)

PARAMETER	MIN	TYP	MAX	UNITS
Full Scale Input Voltage ( $V_{P-P}$ )	-	-	1.15	V
Input Bandwidth (0.5dB)	1MHz	-	-	MHz
Input Capacitance (DC)	-	7pF	-	pF
Input Impedance	1M	-	-	M $\Omega$

**Test Circuit**



NOTES:

- 25. Includes Stray and JIG Capacitance.
- 26. Switch S1 Open for  $I_{CCSB}$  and  $I_{CCOP}$ .

FIGURE 20. TEST LOAD CIRCUIT

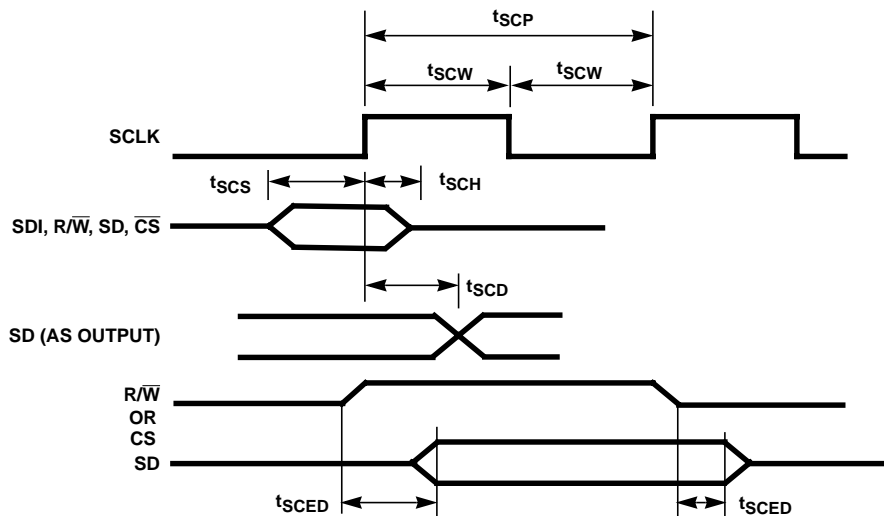


FIGURE 21. SERIAL CONTROL PORT SIGNAL TIMING

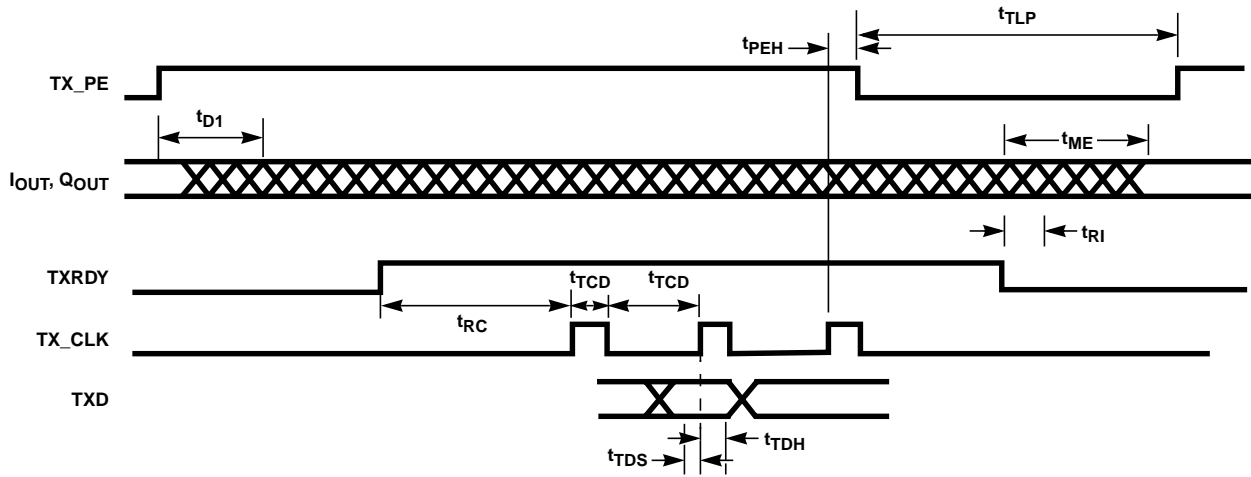
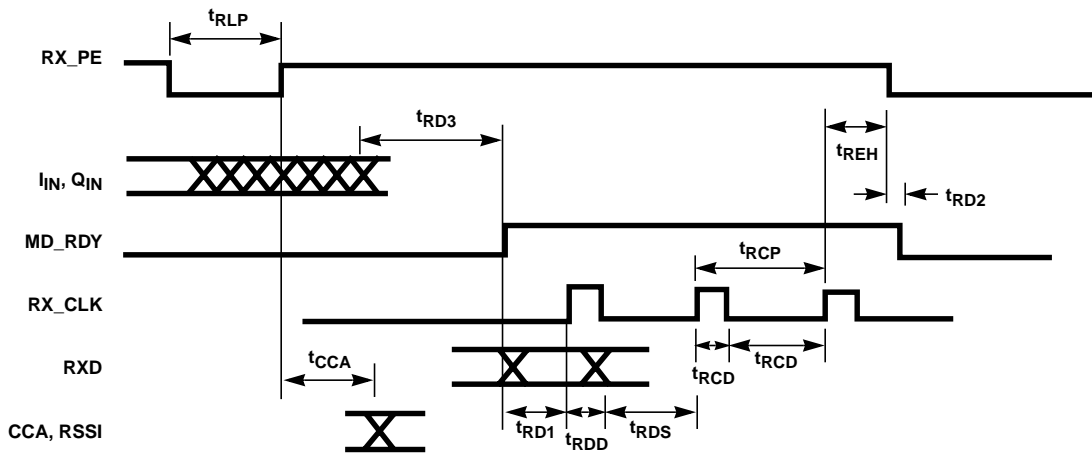
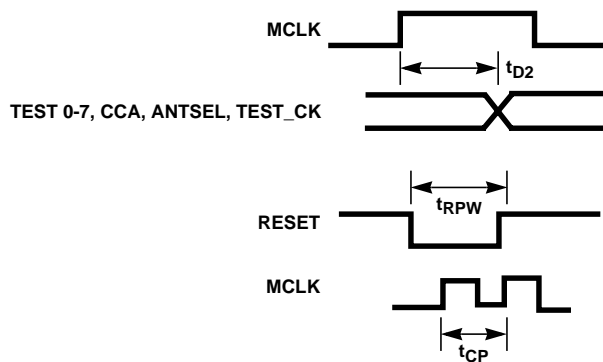


FIGURE 22. TX PORT SIGNAL TIMING



NOTE: RXD, MD\_RDY is output two MCLK after RXCLK rising to provide hold time. RSSI Output on TEST (5:0).

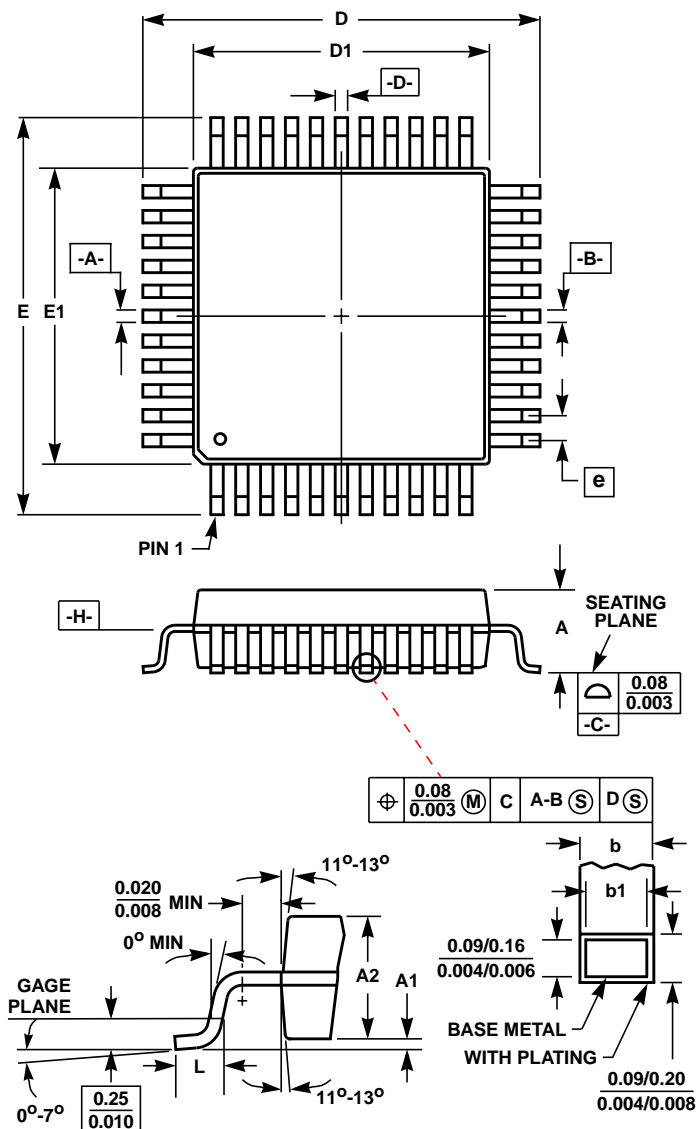
FIGURE 23. RX PORT SIGNAL TIMING



NOTE:  $t_{D2}$  will occur arbitrarily from rising or falling edge of MCLK if CR2, Bit 7 is set to a 1, otherwise it follows diagram.

FIGURE 24. MISCELLANEOUS SIGNAL TIMING

Thin Plastic Quad Flatpack Packages (TQFP)



Q48.7x7 (JEDEC MS-026ABC ISSUE B)  
48 LEAD THIN PLASTIC QUAD FLATPACK PACKAGE

SYMBOL	INCHES		MILLIMETERS		NOTES
	MIN	MAX	MIN	MAX	
A	-	0.047	-	1.20	-
A1	0.002	0.005	0.05	0.15	-
A2	0.038	0.041	0.95	1.05	-
b	0.007	0.010	0.17	0.27	6
b1	0.007	0.009	0.17	0.23	-
D	0.350	0.358	8.90	9.10	3
D1	0.272	0.280	6.90	7.10	4, 5
E	0.350	0.358	8.90	9.10	3
E1	0.272	0.280	6.90	7.10	4, 5
L	0.018	0.029	0.45	0.75	-
N	48		48		7
e	0.020 BSC		0.50 BSC		-

Rev. 1 9/98

NOTES:

- Controlling dimension: MILLIMETER. Converted inch dimensions are not necessarily exact.
- All dimensions and tolerances per ANSI Y14.5M-1982.
- Dimensions D and E to be determined at seating plane [-C-].
- Dimensions D1 and E1 to be determined at datum plane [-H-].
- Dimensions D1 and E1 do not include mold protrusion. Allowable protrusion is 0.25mm (0.010 inch) per side.
- Dimension b does not include dambar protrusion. Allowable dambar protrusion shall not cause the lead width to exceed the maximum b dimension by more than 0.08mm (0.003 inch).
- "N" is the number of terminal positions.

All Intersil semiconductor products are manufactured, assembled and tested under ISO9000 quality systems certification.

Intersil semiconductor products are sold by description only. Intersil Corporation reserves the right to make changes in circuit design and/or specifications at any time without notice. Accordingly, the reader is cautioned to verify that data sheets are current before placing orders. Information furnished by Intersil is believed to be accurate and reliable. However, no responsibility is assumed by Intersil or its subsidiaries for its use; nor for any infringements of patents or other rights of third parties which may result from its use. No license is granted by implication or otherwise under any patent or patent rights of Intersil or its subsidiaries.

For information regarding Intersil Corporation and its products, see web site <http://www.intersil.com>

Sales Office Headquarters

NORTH AMERICA

Intersil Corporation  
P. O. Box 883, Mail Stop 53-204  
Melbourne, FL 32902  
TEL: (407) 724-7000  
FAX: (407) 724-7240

EUROPE

Intersil SA  
Mercure Center  
100, Rue de la Fusee  
1130 Brussels, Belgium  
TEL: (32) 2.724.2111  
FAX: (32) 2.724.22.05

ASIA

Intersil (Taiwan) Ltd.  
7F-6, No. 101 Fu Hsing North Road  
Taipei, Taiwan  
Republic of China  
TEL: (886) 2 2716 9310  
FAX: (886) 2 2715 3029