

CMOS Integrated DTMF Receiver

Features

- Full DTMF receiver
- Less than 35mW power consumption
- Industrial temperature range
- Uses quartz crystal or ceramic resonators
- Adjustable acquisition and release times
- 18-pin DIP, 18-pin DIP EIAJ, 18-pin SOIC, 20-pin PLCC
- **CM8870C**
 - Power down mode
 - Inhibit mode
 - Buffered OSC3 output (PLCC package only)
- CM8870C is fully compatible with CM8870 for 18-pin devices by grounding pin 5 and pin 6.

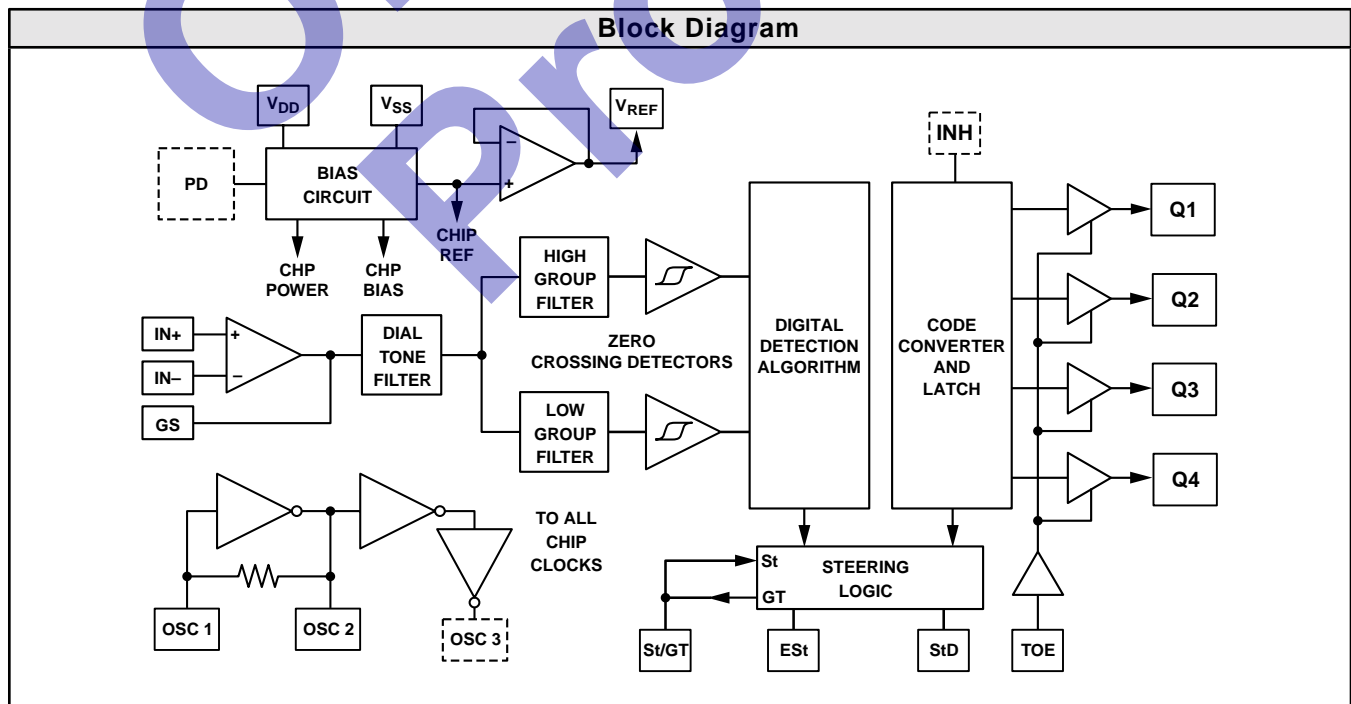
Applications

- PABX
- Central office
- Mobile radio
- Remote control
- Remote data entry
- Call limiting
- Telephone answering systems
- Paging systems

Product Description

The CAMD CM8870/70C provides full DTMF receiver capability by integrating both the band-split filter and digital decoder functions into a single 18-pin DIP, SOIC, or 20-pin PLCC package. The CM8870/70C is manufactured using state-of-the-art CMOS process technology for low power consumption (35mW, MAX) and precise data handling. The filter section uses a switched capacitor technique for both high and low group filters and dial

tone rejection. The CM8870/70C decoder uses digital counting techniques for the detection and decoding of all 16 DTMF tone pairs into a 4-bit code. This DTMF receiver minimizes external component count by providing an on-chip differential input amplifier, clock generator, and a latched three-state interface bus. The on-chip clock generator requires only a low cost TV crystal or ceramic resonator as an external component.



Absolute Maximum Ratings: (Note 1)

Absolute Maximum Ratings		
Symbol	Parameter	Value
V_{DD}	Power Supply Voltage (V_{DD}/V_{SS})	6V MAX
Vdc	Voltage on any Pin	$V_{SS} - 0.3V$ to $V_{DD} + 0.3V$
I_{DD}	Current on any Pin	10mA MAX
T_A	Operating Temperature	-40°C to 85°C
T_S	Storage Temperature	-65°C to 150°C

This device contains input protection against damage due to high static voltages or electric fields; however, precautions should be taken to avoid application of voltages higher than the maximum rating.

Notes:

- Exceeding these ratings may cause permanent damage, functional operation under these conditions is not implied.

DC Characteristics: All voltages referenced to V_{SS} , $V_{DD} = 5V \pm 5\%$, $T_A = -40^\circ C$ to $85^\circ C$ unless otherwise noted.

DC Characteristics						
Symbol	Parameter	Test Conditions	MIN	TYP	MAX	UNIT
V_{DD}	Operating Supply Voltage		4.75		5.25	V
I_{DD}	Operating Supply Current			3.0	7.0	mA
I_{DDQ}	Standby Supply Current	$PD = V_{DD}$			25	μA
P_O	Power Consumption	$f = 3.579$ MHz; $V_{DD} = 5V$		15	35	mW
V_{IL}	Low Level Input Voltage	$V_{DD} = 5V$			1.5	V
V_{IH}	High Level Input Voltage	$V_{DD} = 5V$	3.5			V
I_{IH}/I_{IL}	Input Leakage Current	$V_{IN} = V_{SS} = V_{DD}$ (Note 1)		0.1		μA
I_{SO}	Pull Up (Source) Current on TOE	TOE = 0V, $V_{DD} = 5V$		6.5	20	μA
R_{IN}	Input Impedance, (IN+, IN-)	@ 1KHz	8	10		$M\Omega$
V_{Tst}	Steering Threshold Voltage	$V_{DD} = 5V$	2.2		2.5	V
V_{OL}	Low Level Output Voltage	$V_{DD} = 5V$, No Load			0.03	V
V_{OH}	High Level Output Voltage	$V_{DD} = 5V$, No Load	4.97			V
I_{OL}	Output Low (Sink) Current	$V_{OUT} = 0.4V$	1.0	2.5		mA
I_{OH}	Output High (Source) Current	$V_{OUT} = 4.6V$	0.4	0.8		mA
V_{REF}	Output Voltage	$V_{DD} = 5.0V$, No Load	2.4		2.7	V
R_{OR}	Output Resistance					

Operating Characteristics: All voltages referenced to V_{SS} , $V_{DD} = 5V \pm 5\%$, $T_A = -40^\circ C$ to $85^\circ C$ unless otherwise noted.

Gain Setting Amplifier

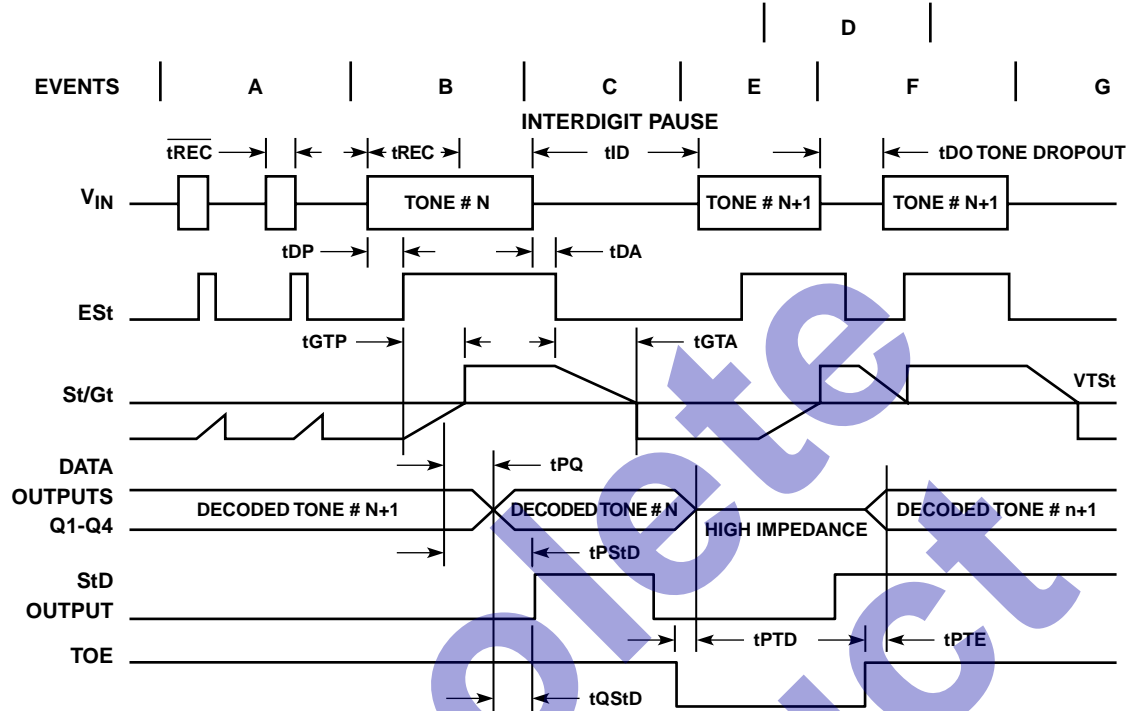
Operating Characteristics						
Symbol	Parameter	Test Conditions	MIN	TYP	MAX	UNIT
I_{IN}	Input Leakage Current	$V_{SS} < V_{IN} < V_{DD}$			± 100	nA
R_{IN}	Input Resistance		10			$M\Omega$
V_{OS}	Input Offset Voltage				± 25	mV
PSRR	Power Supply Rejection	1 KHz (Note 12)	50			dB
CMRR	Common Mode Rejection	$-3V < V_{IN} < 3V$	40			dB
A_{VOL}	DC Open Loop Voltage Gain		32			dB
fc	Open Loop Unity Gain Bandwidth		0.3			MHz
V_O	Output Voltage Swing	$R_L \geq 100$ KW to V_{SS}	4			V_{P-P}
C_L	Maximum Capacitive Load (GS)				100	pF
R_L	Maximum Resistive Load (GS)				50	$K\Omega$
Vcm	Common Mode Range (No Load)	No Load	2.5			V_{P-P}

AC Characteristics: All voltages referenced to V_{SS} , $V_{DD} = 5.0V \pm 5\%$, $T_A = -40^\circ C$ to $+85^\circ C$, $f_{CLK} = 3.579545$ MHz using test circuit in Figure 1 unless otherwise noted.

AC Characteristics						
Symbol	Parameter	Notes	MIN	TYP	MAX	UNIT
	Valid Input Signal Levels (each tone of composite signal)	1, 2, 3, 4, 5, 8	-29		1	dBm
			27.5		869	mV _{RMS}
	Positive Twist Accept	2, 3, 4, 8			10	dB
	Negative Twist Accept				10	dB
	Freq. Deviation Accept Limit	2, 3, 5, 8, 10			1.5%±2Hz	Norm.
	Freq. Deviation Reject Limit	2, 3, 5	±3.5%			Norm.
	Third Tone Tolerance	2, 3, 4, 5, 8, 9, 13, 14		-16		dB
	Noise Tolerance	2, 3, 4, 5, 6, 8, 9		-12		dB
	Dial Tone Tolerance	2, 3, 4, 5, 7, 8, 9		22		dB
t _{DP}	Tone Present Detection Time	Refer to Timing Diagram	5	8	14	ms
t _{DA}	Tone Absent Detection Time	Refer to Timing Diagram	0.5	3	8.5	ms
t _{REC}	MIN Tone Duration Accept	15			40	ms
	MAX Tone Duration Reject	15	20			ms
t _{ID}	MIN Interdigit Pause Accept	15			40	ms
t _{DO}	MAX Interdigit Pause Reject	15	20			µs
t _{PQ}	Propagation Delay (St to Q)	TOE = V _{DD}		6	11	µs
t _{PS_tD}	Propagation Delay (St to StD)	TOE = V _{DD}		9	16	µs
t _{QS_tD}	Output Data Set Up (Q to StD)	TOE = V _{DD}		3.4		µs
t _{PTE}	Propagation Delay (TOE to Q)	Enable	R _L = 10KΩ	50		ns
t _{PTD}		Disable	C _L = 50pf	300		ns
f _{CLK}	Crystal/Clock Frequency		3.5759	3.5795	3.5831	MHz
C _{LO}	Clock Output (OSC 2)	Capacitive Load			30	pF

Notes:

1. dBm = decibels above or below a reference power of 1mW into a 600Ω load.
2. Digit sequence consists of all 16 DTMF tones.
3. Tone duration = 40ms. Tone pause = 40ms.
4. Nominal DTMF frequencies are used.
5. Both tones in the composite signal have an equal amplitude.
6. Bandwidth limited (0 to 3KHz) Gaussian Noise.
7. The precise dial tone frequencies are (350Hz and 440Hz) ±2%.
8. For an error rate of better than 1 in 10,000
9. Referenced to lowest level frequency component in DTMF signal.
10. Minimum signal acceptance level is measured with specified maximum frequency deviation.
11. Input pins defined as IN+, IN-, and TOE.
12. External voltage source used to bias V_{REF}.
13. This parameter also applies to a third tone injected onto the power supply.
14. Referenced to Figure 1. Input DTMF tone level at -28dBm.
15. Times shown are obtained with circuit in Figure 1 (User adjustable).

Timing Diagram

Explanation of Events

- A. Tone bursts detected, tone duration invalid, outputs not updated.
- B. Tone #n detected, tone duration valid, tone decoded and latched in outputs.
- C. End of tone #n detected, tone absent duration valid, outputs remain latched until next valid tone.
- D. Outputs switched to high impedance state.
- E. Tone #n + 1 detected, tone duration valid, tone decoded and latched in outputs (currently high impedance).
- F. Acceptable dropout of tone #n + 1, tone absent duration invalid, outputs remain latched.
- G. End of tone #n + 1 detected, tone absent duration valid, outputs remain latched until next valid tone.

Explanation of Symbols

- V_{IN} DTMF composite input signal.
- ESt Early Steering Output. Indicates detection of valid tone frequencies.
- St/GT Steering input/guard time output. Drives external RC timing circuit.
- $Q1-Q4$ 4-bit decoded tone output.
- StD Delayed Steering Output. Indicates that valid frequencies have been present/absent for the required guard time, thus constituting a valid signal.
- TOE Tone Output Enable (input). A low level shifts Q1-Q4 to its high impedance state.
- t_{REC} Maximum DTMF signal duration not detected as valid.
- t_{REC} Minimum DTMF signal duration required for valid recognition.
- t_{ID} Minimum time between valid DTMF signals.
- t_{DO} Maximum allowable drop-out during valid DTMF signal.
- t_{DP} Time to detect the presence of valid DTMF signals.
- t_{DA} Time to detect the absence of valid DTMF signals.
- t_{GTP} Guard time, tone present.
- t_{GTA} Guard time, tone absent.

Functional Description

The CAMD CM8870/70C DTMF Integrated Receiver provides the design engineer with not only low power consumption, but high performance in a small 18-pin DIP, SOIC, or 20-pin PLCC package configuration. The CM8870/70C's internal architecture consists of a band-split filter section which separates the high and low tones of the received pair, followed by a digital decode (counting) section which verifies both the frequency and duration of the received tones before passing the resultant 4-bit code to the output bus.

Filter Section

Separation of the low-group and high-group tones is achieved by applying the dual-tone signal to the inputs of two 9th-order switched capacitor bandpass filters. The bandwidths of these filters correspond to the bands enclosing the low-group and high-group tones (See Figure 3). The filter section also incorporates notches at 350Hz and 440Hz which provides excellent dial tone rejection. Each filter output is followed by a single order switched capacitor section which smooths the signals prior to limiting. Signal limiting is performed by high-gain comparators. These comparators are provided with a hysteresis to prevent detection of unwanted low-level signals and noise. The outputs of the comparators provide full-rail logic swings at the frequencies of the incoming tones.

Decoder Section

The CM8870/70C decoder uses a digital counting technique to determine the frequencies of the limited tones and to verify that these tones correspond to standard DTMF frequencies. A complex averaging algorithm is used to protect against tone simulation by extraneous signals (such as voice) while providing tolerance to small frequency variations. The averaging algorithm has been developed to ensure an optimum combination of immunity to "talk-off" and tolerance to the presence of interfering signals (third tones) and noise. When the detector recognizes the simultaneous presence of two valid tones (known as "signal condition"), it raises the "Early Steering" flag (ESt). Any subsequent loss of signal condition will cause ESt to fall.

Steering Circuit

Before the registration of a decoded tone pair, the receiver checks for a valid signal duration (referred to as "character-recognition-condition"). This check is performed by an external RC time constant driven by E_{St} . A logic high on ESt causes V_C (See Figure 4) to rise as the capacitor discharges. Providing signal condition is maintained (ESt remains high) for the validation period

(t_{GTP}), V_C reaches the threshold (V_{TSI}) of the steering logic to register the tone pair, thus latching its corresponding 4-bit code (See Figure 2) into the output latch. At this point, the GT output is activated and drives VC to V_{DD} . GT continues to drive high as long as ESt remains high, signaling that a received tone pair has been registered. The contents of the output latch are made available on the 4-bit output bus by raising the three-state control input (TOE) to a logic high. The steering circuit works in reverse to validate the interdigit pause between signals. Thus, as well as rejecting signals too short to be considered valid, the receiver will tolerate signal interruptions (drop outs) too short to be considered a valid pause. This capability together with the capability of selecting the steering time constants externally, allows the designer to tailor performance to meet a wide variety of system requirements.

Guard Time Adjustment

In situations which do not require independent selection of receive and pause, the simple steering circuit of Figure 4 is applicable. Component values are chosen according to the following formula:

$$t_{REC} = t_{DP} + t_{GTP}$$

$$t_{GTP} = 0.67 RC$$

The value of t_{DP} is a parameter of the device and t_{REC} is the minimum signal duration to be recognized by the receiver. A value for C of 0.1 μ F is recommended for most applications, leaving R to be selected by the designer. For example, a suitable value of R for a t_{REC} of 40ms would be 300K. A typical circuit using this steering configuration is shown in Figure 1. The timing requirements for most telecommunication applications are satisfied with this circuit. Different steering arrangements may be used to select independently the guard-times for tone-present (t_{GTP}) and tone absent (t_{GTA}). This may be necessary to meet system specifications which place both accept and reject limits on both tone duration and interdigit pause.

Guard time adjustment also allows the designer to tailor system parameters such as talk-off and noise immunity. Increasing t_{REC} improves talk-off performance, since it reduces the probability that tones simulated by speech will maintain signal condition for long enough to be registered. On the other hand, a relatively short t_{REC} with a long t_{DO} would be appropriate for extremely noisy environments where fast acquisition time and immunity to drop-outs would be requirements. Design information for guard time adjustment is shown in Figure 5.

Input Configuration

The input arrangement of the CM8870/70C provides a differential input operational amplifier as well as a bias source (V_{REF}) which is used to bias the inputs at mid-rail.

Provision is made for connection of a feedback resistor to the op-amp output (GS) for adjustment of gain.

In a single-ended configuration, the input pins are connected as shown in Figure 1, with the op-amp connected for unity gain and V_{REF} biasing the input at $\frac{1}{2} V_{DD}$. Figure 6 shows the differential configuration, which permits the adjustment of gain with the feedback resistor R5.

Clock Circuit

The internal clock circuit is completed with the addition of a standard television color burst crystal or ceramic resonator having a resonant frequency of 3.579545MHz. The CM8870C in a PLCC package has a buffered oscillator output (OSC3) that can be used to drive clock inputs of other devices such as a microprocessor or other CM887X's as shown in Figure 7. Multiple CM8870/70Cs can be connected as shown in figure 8 such that only one crystal or resonator is required.

Pin Function		
Name	Function	Description
IN+	Non-inverting input	Connection to the front-end differential amplifier
IN-	Inverting input	Connection to the front-end differential amplifier
GS	Gain select	Gives access to output of front-end differential amplifier for connection of feedback resistor.
V_{REF}	Reference output Voltage (nominally $V_{DD}/2$)	May be used to bias the inputs at mid-rail.
INH	Inhibits detection of tones	Represents keys A, B, C, and D
OSC3	Digital buffered oscillator output	
PD	Power down	Logic high powers down the device and inhibits the oscillator.
OSC1	Clock input	3.579545MHz crystal connected between these pins completes internal oscillator
OSC2	Clock output	3.579545MHz crystal connected between these pins completes internal oscillator
V_{SS}	Negative power supply	Normally connected to OV
TOE	Three-state output enable (Input)	Logic high enables the outputs Q1-Q4. Internal pull-up.
Q1 Q2 Q3 Q4	Three-state outputs	When enabled by TOE, provides the code corresponding to the last valid tone pair received. (See Figure 2).
StD	Delayed Steering output	Presents a logic high when a received tone pair has been registered and the output latch is updated. Returns to logic low when the voltage on St/GT falls below V_{TSt} .
ESt	Early steering output	Presents logic high immediately when the digital algorithm detects a recognizable tone pair (signal condition). Any momentary loss of signal condition will cause ESt to return to a logic low.
St/Gt	Steering input/guard time output (bidirectional)	A voltage greater than V_{TSt} detected at St causes the device to register the detected tone pair. The GT output acts to reset the external steering time constraint, and its state is a function of ESt and the voltage on St. (See Figure 2).
V_{DD}	Positive power supply	
IC	Internal connection	Must be tied to V_{SS} (for 8870 configuration only).

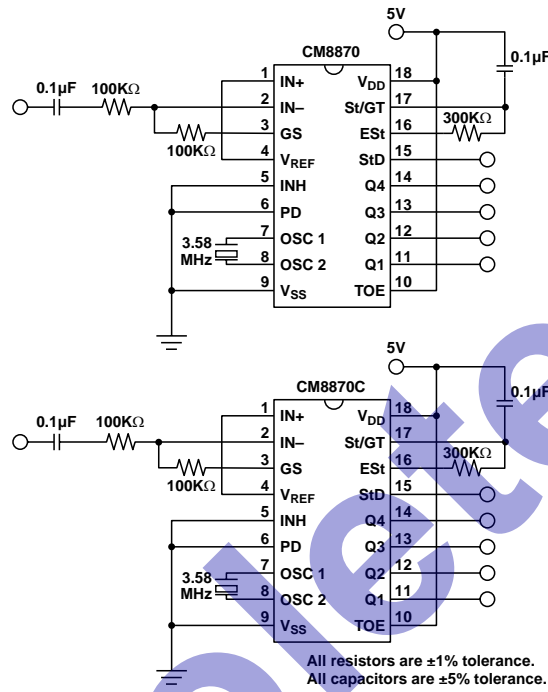
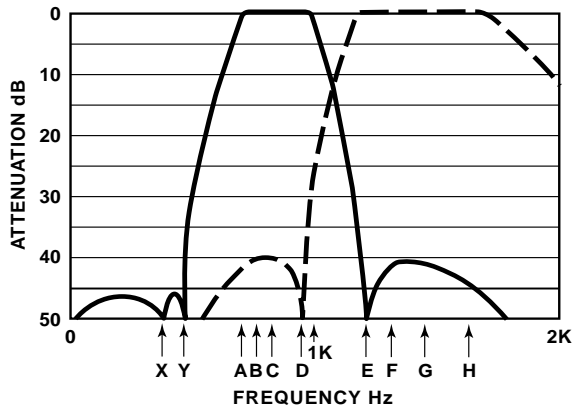


Figure 1. Single Ended Input Configuration

Functional Diode Table							
F _{LOW}	F _{HIGH}	KEY	TOW	Q ₄	Q ₃	Q ₂	Q ₁
697	1209	1	H	0	0	0	1
697	1336	2	H	0	0	1	0
697	1477	3	H	0	0	1	1
770	1209	4	H	0	1	0	0
770	1336	5	H	0	1	0	1
770	1477	6	H	0	1	1	0
852	1209	7	H	0	1	1	1
852	1336	8	H	1	0	0	0
852	1477	9	H	1	0	0	1
941	1336	0	H	1	0	1	0
941	1209	*	H	1	0	1	1
941	1477	#	H	1	1	0	0
697	1633	A	H	1	1	0	1
770	1633	B	H	1	1	1	0
852	1633	C	H	1	1	1	1
941	1633	D	H	0	0	0	0
-	-	ANY	L	Z	Z	Z	Z

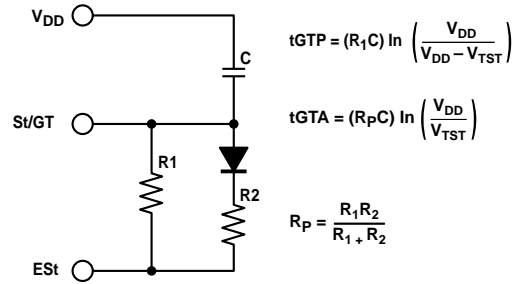
L Logic Low, H = Logic, Z = High Impedance

Figure 2. Functional Decode Table

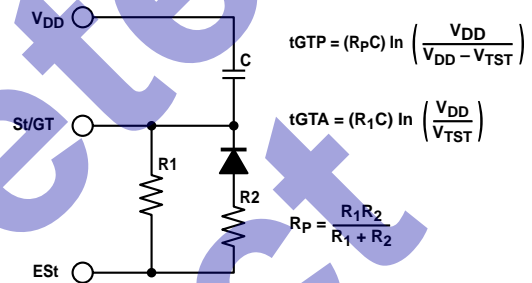


PRECISE DIAL TONES	DTMF TONES	
X = 350Hz	A = 607Hz	E = 1209Hz
y = 440Hz	B = 770Hz	F = 1336Hz
	C = 852Hz	G = 1477Hz
	D = 841Hz	H = 1633Hz

Figure 3. Typical Filter Characteristic



(A.) Decreasing tGTA (tGTP > tGTA)



(B.) Decreasing tGTP (tGTP < tGTA)

Figure 5. Guard Time Adjustment

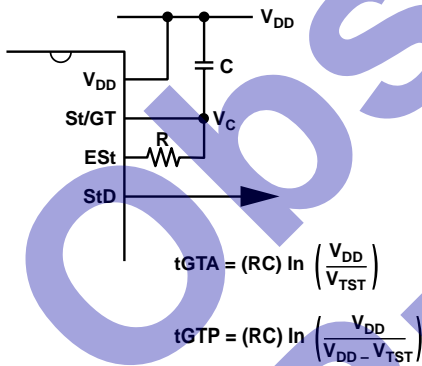
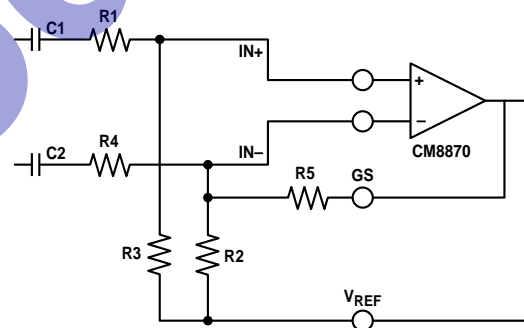


Figure 4. Basic Steering Circuit



All resistors are -1% tolerance.
All capacitors are -5% tolerance.

DIFFERENTIAL INPUT AMPLIFIER

C1 = C2 = 10nF
R1 = R4 = R4 = 100 KΩ
R2 = 60KΩ, R3 = 37.5KΩ

$$R3 = \frac{R2R5}{R2 + R5}$$

VOLTAGE GAIN (Av diff) = $\frac{R5}{R1}$

INPUT IMPEDANCE
(Xxxx) = $2 \sqrt{R2 + \left(\frac{1}{\omega C}\right)^2}$

Figure 6. Differential Input Configuration

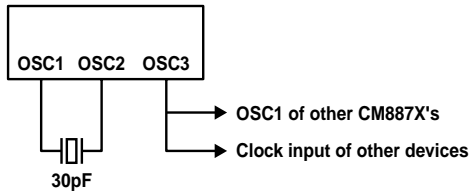


Figure 7. CM8870C Crystal Connection (PLCC Package Only)

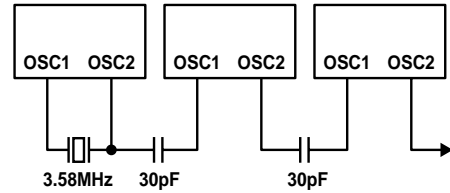
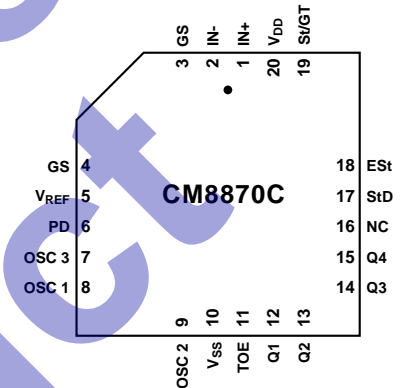
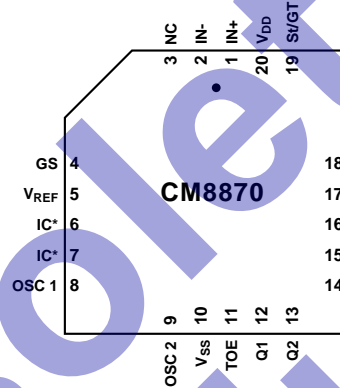
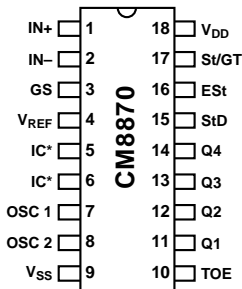
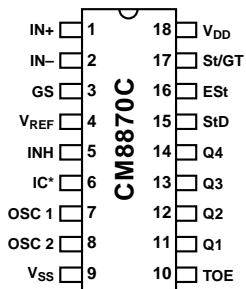


Figure 8. CM8870/70C Crystal Connection

Pin Assignments



- P – Plastic DIP (18)
- F – Plastic SOP EIAJ (18)
- S – SPIC (18)

- P – Plastic DIP (18)
- F – Plastic SOP EIAJ (18)
- S – SOIC (18)

PE – PLCC (20)

PE – PLCC (20)

* – Connected to V_{SS}

Ordering Information

