

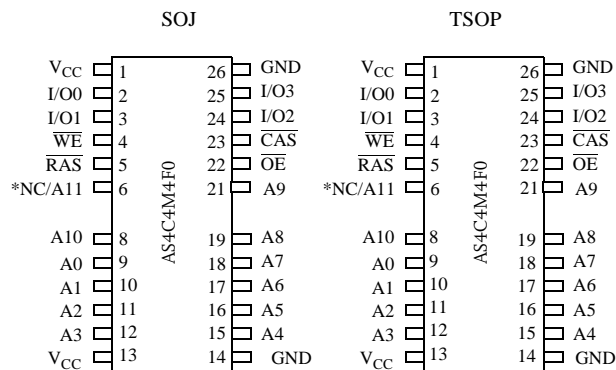


## 5V 4M×4 CMOS DRAM (Fast Page mode)

### Features

- Organization: 4,194,304 words × 4 bits
- High speed
  - 50/60 ns  $\overline{\text{RAS}}$  access time
  - 25/30 ns column address access time
  - 12/15 ns  $\overline{\text{CAS}}$  access time
- Low power consumption
  - Active: 908 mW max
  - Standby: 5.5 mW max, CMOS I/O
- Fast page mode
- Refresh
  - 4096 refresh cycles, 64 ms refresh interval for AS4C4M4F0
  - 2048 refresh cycles, 32 ms refresh interval for AS4C4M4F1
  - $\overline{\text{RAS}}$ -only or  $\overline{\text{CAS}}$ -before- $\overline{\text{RAS}}$  refresh or self-refresh
- TTL-compatible, three-state I/O
- JEDEC standard package
  - 300 mil, 24/26-pin SOJ
  - 300 mil, 24/26-pin TSOP
- Latch-up current  $\geq 200$  mA
- ESD protection  $\geq 2000$  mV
- Industrial and commercial temperature available

### Pin arrangement



\*NC on 2K refresh version; A11 on 4K refresh version

### Pin designation

Pin(s)	Description
A0 to A11	Address inputs
$\overline{\text{RAS}}$	Row address strobe
$\overline{\text{CAS}}$	Column address strobe
$\overline{\text{WE}}$	Write enable
I/O0 to I/O3	Input/output
$\overline{\text{OE}}$	Output enable
$V_{\text{CC}}$	Power
GND	Ground

### Selection guide

	Symbol	AS4C4M4F0-50 AS4C4M4F1-50	AS4C4M4F0-60 AS4C4M4F1-60	Unit
Maximum $\overline{\text{RAS}}$ access time	$t_{\text{RAC}}$	50	60	ns
Maximum column address access time	$t_{\text{CAA}}$	25	30	ns
Maximum $\overline{\text{CAS}}$ access time	$t_{\text{CAC}}$	12	15	ns
Maximum output enable ( $\overline{\text{OE}}$ ) access time	$t_{\text{OEA}}$	13	15	ns
Minimum read or write cycle time	$t_{\text{RC}}$	85	100	ns
Minimum fast page mode cycle time	$t_{\text{PC}}$	25	30	ns
Maximum operating current	$I_{\text{CC1}}$	135	120	mA
Maximum CMOS standby current	$I_{\text{CC5}}$	1.0	1.0	mA



## Functional description

The AS4C4M4F0 and AS4C4M4F1 are high performance 16-megabit CMOS Dynamic Random Access Memory (DRAM) devices organized as 4,194,304 words  $\times$  4 bits. The devices are fabricated using advanced CMOS technology and innovative design techniques resulting in high speed, extremely low power and wide operating margins at component and system levels. The Alliance 16Mb DRAM family is optimized for use as main memory in PC, workstation, router and switch applications.

These devices feature a high speed page mode operation where read and write operations within a single row (or page) can be executed at very high speed by toggling column addresses within that row. Row and column addresses are alternately latched into input buffers using the falling edge of  $\overline{\text{RAS}}$  and  $\overline{\text{CAS}}$  inputs respectively. Also,  $\overline{\text{RAS}}$  is used to make the column address latch transparent, enabling application of column addresses prior to  $\overline{\text{CAS}}$  assertion.

Refresh on the 4096 address combinations of A0 to A11 must be performed every 64 ms using:

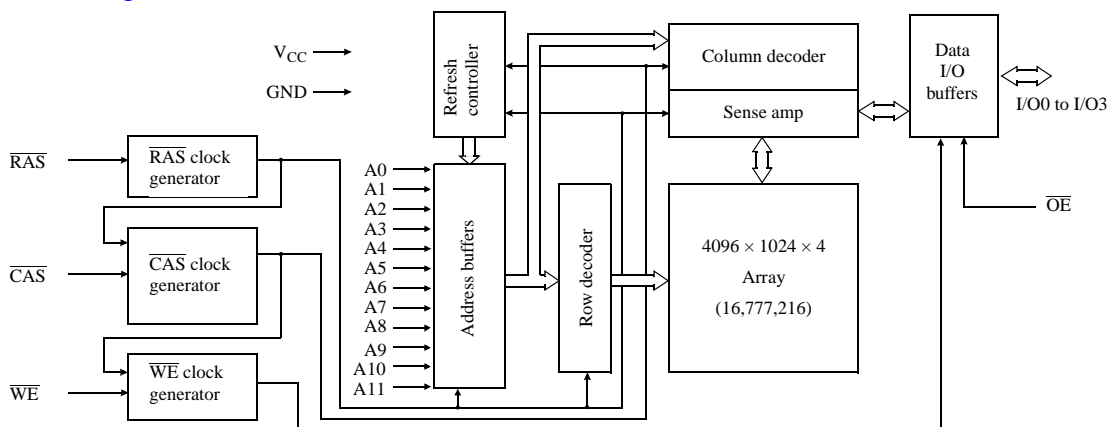
- $\overline{\text{RAS}}$ -only refresh:  $\overline{\text{RAS}}$  is asserted while  $\overline{\text{CAS}}$  is held high. Each of the 4096 rows must be strobed. Outputs remain high impedance.
- Hidden refresh:  $\overline{\text{CAS}}$  is held low while  $\overline{\text{RAS}}$  is toggled. Refresh address is generated internally. Outputs remain low impedance with previous valid data.
- $\overline{\text{CAS}}$ -before- $\overline{\text{RAS}}$  refresh (CBR):  $\overline{\text{CAS}}$  is asserted prior to  $\overline{\text{RAS}}$ . Refresh address is generated internally. Outputs are high-impedance ( $\overline{\text{OE}}$  and  $\overline{\text{WE}}$  are don't care).
- Normal read or write cycles refresh the row being accessed.
- Self-refresh cycles

Refresh on the 2048 address combinations of A0 to A10 must be performed every 32 ms using:

- $\overline{\text{RAS}}$ -only refresh:  $\overline{\text{RAS}}$  is asserted while  $\overline{\text{CAS}}$  is held high. Each of the 2048 rows must be strobed. Outputs remain high impedance.
- Hidden refresh:  $\overline{\text{CAS}}$  is held low while  $\overline{\text{RAS}}$  is toggled. Refresh address is generated internally. Outputs remain low impedance with previous valid data.
- $\overline{\text{CAS}}$ -before- $\overline{\text{RAS}}$  refresh (CBR):  $\overline{\text{CAS}}$  is asserted prior to  $\overline{\text{RAS}}$ . Refresh address is generated internally. Outputs are high-impedance ( $\overline{\text{OE}}$  and  $\overline{\text{WE}}$  are don't care).
- Normal read or write cycles refresh the row being accessed.
- Self-refresh cycles

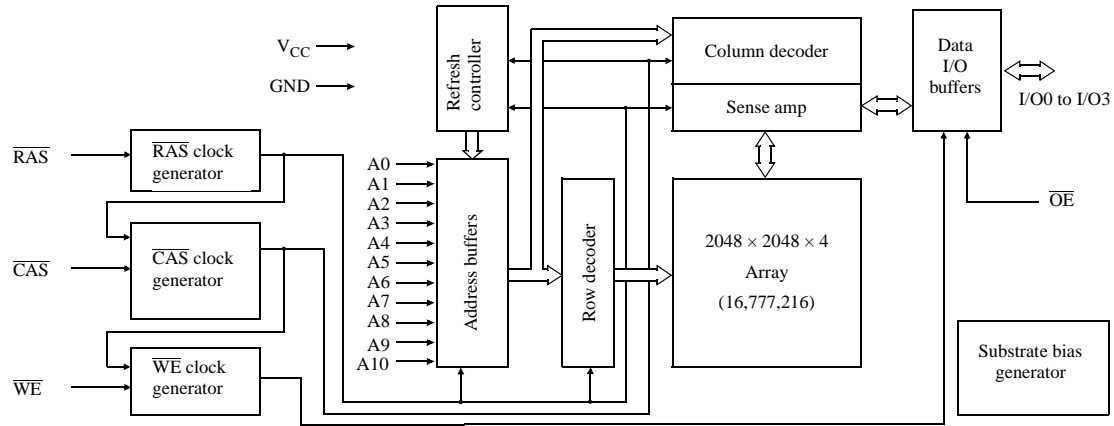
The AS4C4M4F0 and AS4C4M4F1 are available in the standard 24/26-pin plastic SOJ and 24/26-pin plastic TSOP packages. The AS4C4M4F0 and AS4C4M4F1 operate with a single power supply of  $5\text{V} \pm 0.5\text{V}$  and provide TTL compatible inputs and outputs.

## Logic block diagram for 4K refresh





Logic block diagram for 2K refresh



Recommended operating conditions

Parameter	Symbol	Min	Nominal	Max	Unit
Supply voltage	$V_{CC}$	4.5	5.0	5.5	V
	GND	0.0	0.0	0.0	V
Input voltage	$V_{IH}$	2.4	–	$V_{CC}$	V
	$V_{IL}$	$-0.5^{\dagger}$	–	0.8	V
Ambient operating temperature	Commercial	0	–	70	°C
	Industrial	-40	–	85	

$^{\dagger}V_{IL}$  min -3.0V for pulse widths less than 5 ns. Recommended operating conditions apply throughout this document unless otherwise specified.



## Absolute maximum ratings

Parameter	Symbol	Min	Max	Unit
Input voltage	$V_{in}$	-1.0	+7.0	V
Input voltage (DQs)	$V_{DQ}$	-1.0	$V_{CC} + 0.5$	V
Power supply voltage	$V_{CC}$	-1.0	+7.0	V
Storage temperature (plastic)	$T_{STG}$	-55	+150	°C
Soldering temperature × time	$T_{SOLDER}$	–	$260 \times 10$	°C × sec
Power dissipation	$P_D$	–	1	W
Short circuit output current	$I_{out}$	–	50	mA

## DC electrical characteristics

Parameter	Symbol	Test conditions	-50		-60		Unit	Notes
			Min	Max	Min	Max		
Input leakage current	$I_{IL}$	$0V \leq V_{in} \leq +5.5V$ , Pins not under test = 0V	-5	+5	-5	+5	μA	
Output leakage current	$I_{OL}$	$D_{OUT}$ disabled, $0V \leq V_{out} \leq +5.5V$	-5	+5	-5	+5	μA	
Operating power supply current	$I_{CC1}$	$\overline{RAS}$ , $\overline{CAS}$ Address cycling; $t_{RC} = \min$	–	135	–	120	mA	1, 2
TTL standby power supply current	$I_{CC2}$	$\overline{RAS} = \overline{CAS} \geq V_{IH}$	–	2.0	–	2.0	mA	
Average power supply current, $\overline{RAS}$ refresh mode or CBR	$I_{CC3}$	$\overline{RAS}$ cycling, $\overline{CAS} \geq V_{IH}$ , $t_{RC} = \min$ of $\overline{RAS}$ low after $\overline{XCAS}$ low.	–	120	–	110	mA	1
Fast page mode average power supply current	$I_{CC4}$	$\overline{RAS} = V_{IL}$ , $\overline{CAS}$ , address cycling; $t_{HPC} = \min$	–	130	–	120	mA	1, 2
CMOS standby power supply current	$I_{CC5}$	$\overline{RAS} = \overline{CAS} = V_{CC} - 0.2V$	–	1.0	–	1.0	mA	
Output voltage	$V_{OH}$	$I_{OUT} = -5.0$ mA	2.4	–	2.4	–	V	
	$V_{OL}$	$I_{OUT} = 4.2$ mA	–	0.4	–	0.4	V	
$\overline{CAS}$ before $\overline{RAS}$ refresh current	$I_{CC6}$	$\overline{RAS}$ , $\overline{CAS}$ cycling, $t_{RC} = \min$	–	120	–	110	mA	
Self refresh current	$I_{CC7}$	$\overline{RAS} = \overline{UCAS} = \overline{LCAS} \leq 0.2V$ , $\overline{WE} = \overline{OE} \geq V_{CC} - 0.2V$ , all other inputs at 0.2V or $V_{CC} - 0.2V$	–	0.6	–	0.6	mA	



## AC parameters common to all waveforms

Symbol	Parameter	-50		-60		Unit	Notes
		Min	Max	Min	Max		
$t_{RC}$	Random read or write cycle time	80	–	100	–	ns	
$t_{RP}$	$\overline{RAS}$ precharge time	30	–	40	–	ns	
$t_{RAS}$	$\overline{RAS}$ pulse width	50	10K	60	10K	ns	
$t_{CAS}$	$\overline{CAS}$ pulse width	8	10K	10	10K	ns	
$t_{RCD}$	$\overline{RAS}$ to $\overline{CAS}$ delay time	15	35	15	43	ns	6
$t_{RAD}$	$\overline{RAS}$ to column address delay time	12	25	12	30	ns	7
$t_{RSH}$	$\overline{CAS}$ to $\overline{RAS}$ hold time	10	–	10	–	ns	
$t_{CSH}$	$\overline{RAS}$ to $\overline{CAS}$ hold time	40	–	50	–	ns	
$t_{CRP}$	$\overline{CAS}$ to $\overline{RAS}$ precharge time	5	–	5	–	ns	
$t_{ASR}$	Row address setup time	0	–	0	–	ns	
$t_{RAH}$	Row address hold time	8	–	10	–	ns	
$t_T$	Transition time (rise and fall)	1	50	1	50	ns	4,5
$t_{REF}$	Refresh period	–	64	–	64	ms	3
$t_{CP}$	$\overline{CAS}$ precharge time	8	–	10	–	ns	
$t_{RAL}$	Column address to $\overline{RAS}$ lead time	25	–	30	–	ns	
$t_{ASC}$	Column address setup time	0	–	0	–	ns	
$t_{CAH}$	Column address hold time	8	–	10	–	ns	

## Read cycle

Symbol	Parameter	-50		-60		Unit	Notes
		Min	Max	Min	Max		
$t_{RAC}$	Access time from $\overline{RAS}$	–	50	–	60	ns	6
$t_{CAC}$	Access time from $\overline{CAS}$	–	12	–	15	ns	6,13
$t_{AA}$	Access time from address	–	25	–	30	ns	7,13
$t_{RCS}$	Read command setup time	0	–	0	–	ns	
$t_{RCH}$	Read command hold time to $\overline{CAS}$	0	–	0	–	ns	9
$t_{RRH}$	Read command hold time to $\overline{RAS}$	0	–	0	–	ns	9



## Write cycle

Symbol	Parameter	-50		-60		Unit	Notes
		Min	Max	Min	Max		
$t_{WCS}$	Write command setup time	0	–	0	–	ns	11
$t_{WCH}$	Write command hold time	10	–	10	–	ns	11
$t_{Wp}$	Write command pulse width	10	–	10	–	ns	
$t_{RWL}$	Write command to $\overline{RAS}$ lead time	10	–	10	–	ns	
$t_{CWL}$	Write command to $\overline{CAS}$ lead time	8	–	10	–	ns	
$t_{DS}$	Data-in setup time	0	–	0	–	ns	12
$t_{DH}$	Data-in hold time	8	–	10	–	ns	12

## Read-modify-write cycle

Symbol	Parameter	-50		-60		Unit	Notes
		Min	Max	Min	Max		
$t_{RWC}$	Read-write cycle time	113	–	135	–	ns	
$t_{RWD}$	$\overline{RAS}$ to $\overline{WE}$ delay time	67	–	77	–	ns	11
$t_{CWD}$	$\overline{CAS}$ to $\overline{WE}$ delay time	32	–	35	–	ns	11
$t_{AWD}$	Column address to $\overline{WE}$ delay time	42	–	47	–	ns	11

## Refresh cycle

Symbol	Parameter	-50		-60		Unit	Notes
		Min	Max	Min	Max		
$t_{CSR}$	$\overline{CAS}$ setup time ( $\overline{CAS}$ -before- $\overline{RAS}$ )	5	–	5	–	ns	3
$t_{CHR}$	$\overline{CAS}$ hold time ( $\overline{CAS}$ -before- $\overline{RAS}$ )	8	–	10	–	ns	3
$t_{RPC}$	$\overline{RAS}$ precharge to $\overline{CAS}$ hold time	0	–	0	–	ns	
$t_{CPT}$	$\overline{CAS}$ precharge time (CBR counter test)	10	–	10	–	ns	



### Fast page mode cycle

Symbol	Parameter	-50		-60		Unit	Notes
		Min	Max	Min	Max		
t <sub>CPA</sub>	Access time from $\overline{\text{CAS}}$ precharge	–	28	–	35		13
t <sub>RASP</sub>	$\overline{\text{RAS}}$ pulse width	50	100K	60	100K		
t <sub>PC</sub>	Read-write cycle time	30	–	35	–		
t <sub>CP</sub>	$\overline{\text{CAS}}$ precharge time (fast page)	10	–	10	–		
t <sub>PCM</sub>	Fast page mode RMW cycle	80	–	85	–		
t <sub>CRW</sub>	Page mode $\overline{\text{CAS}}$ pulse width (RMW)	12	–	15	–		

### Output enable

Symbol	Parameter	-50		-60		Unit	Notes
		Min	Max	Min	Max		
t <sub>CLZ</sub>	$\overline{\text{CAS}}$ to output in Low Z	0	–	0	–	ns	8
t <sub>ROH</sub>	$\overline{\text{RAS}}$ hold time referenced to $\overline{\text{OE}}$	8	–	10	–	ns	
t <sub>OEA</sub>	$\overline{\text{OE}}$ access time	–	13	–	15	ns	
t <sub>OED</sub>	$\overline{\text{OE}}$ to data delay	13	–	15	–	ns	
t <sub>OEZ</sub>	Output buffer turnoff delay from $\overline{\text{OE}}$	0	13	0	15	ns	8
t <sub>OEH</sub>	$\overline{\text{OE}}$ command hold time	10	–	10	–	ns	
t <sub>OLZ</sub>	$\overline{\text{OE}}$ to output in Low Z	0	–	0	–	ns	
t <sub>OFF</sub>	Output buffer turn-off time	0	13	0	15	ns	8,10

### Self refresh cycle

Std	Symbol	Parameter	-50		-60		Unit	Notes
			Min	Max	Min	Max		
	t <sub>RASS</sub>	$\overline{\text{RAS}}$ pulse width (CBR self refresh)	100	–	100	–	μs	
	t <sub>RPS</sub>	$\overline{\text{RAS}}$ precharge time (CBR self refresh)	90	–	105	–	ns	
	t <sub>CHS</sub>	$\overline{\text{CAS}}$ hold time (CBR self refresh)	8	–	10	–	ns	



## Notes

- 1  $I_{CC1}$ ,  $I_{CC3}$ ,  $I_{CC4}$ , and  $I_{CC6}$  are dependent on frequency.
- 2  $I_{CC1}$  and  $I_{CC4}$  depend on output loading. Specified values are obtained with the output open.
- 3 An initial pause of 200  $\mu$ s is required after power-up followed by any 8  $\overline{RAS}$  cycles before proper device operation is achieved. In the case of an internal refresh counter, a minimum of 8  $\overline{CAS}$ -before- $\overline{RAS}$  initialization cycles instead of 8  $\overline{RAS}$  cycles are required. 8 initialization cycles are required after extended periods of bias without clocks (greater than 8 ms).
- 4 AC Characteristics assume  $t_T = 2$  ns. All AC parameters are measured with a load equivalent to two TTL loads and 100 pF,  $V_{IL}(\text{min}) \geq \text{GND}$  and  $V_{IH}(\text{max}) \leq V_{CC}$ .
- 5  $V_{IH}(\text{min})$  and  $V_{IL}(\text{max})$  are reference levels for measuring timing of input signals. Transition times are measured between  $V_{IH}$  and  $V_{IL}$ .
- 6 Operation within the  $t_{RCD}(\text{max})$  limit insures that  $t_{RAC}(\text{max})$  can be met.  $t_{RCD}(\text{max})$  is specified as a reference point only. If  $t_{RCD}$  is greater than the specified  $t_{RCD}(\text{max})$  limit, then access time is controlled exclusively by  $t_{CAC}$ .
- 7 Operation within the  $t_{RAD}(\text{max})$  limit insures that  $t_{RAC}(\text{max})$  can be met.  $t_{RAD}(\text{max})$  is specified as a reference point only. If  $t_{RAD}$  is greater than the specified  $t_{RAD}(\text{max})$  limit, then access time is controlled exclusively by  $t_{AA}$ .
- 8 Assumes three state test load (5 pF and a 380  $\Omega$  Thevenin equivalent).
- 9 Either  $t_{RCH}$  or  $t_{RRH}$  must be satisfied for a read cycle.
- 10  $t_{OFF}(\text{max})$  defines the time at which the output achieves the open circuit condition; it is not referenced to output voltage levels.  $t_{OFF}$  is referenced from rising edge of  $\overline{RAS}$  or  $\overline{CAS}$ , whichever occurs last.
- 11  $t_{WCS}$ ,  $t_{WCH}$ ,  $t_{RWD}$ ,  $t_{CWD}$  and  $t_{AWD}$  are not restrictive operating parameters. They are included in the datasheet as electrical characteristics only. If  $t_{WS} \geq t_{WS}(\text{min})$  and  $t_{WH} \geq t_{WH}(\text{min})$ , the cycle is an early write cycle and data out pins will remain open circuit, high impedance, throughout the cycle. If  $t_{RWD} \geq t_{RWD}(\text{min})$ ,  $t_{CWD} \geq t_{CWD}(\text{min})$  and  $t_{AWD} \geq t_{AWD}(\text{min})$ , the cycle is a read-write cycle and the data out will contain data read from the selected cell. If neither of the above conditions is satisfied, the condition of the data out at access time is indeterminate.
- 12 These parameters are referenced to  $\overline{CAS}$  leading edge in early write cycles and to  $\overline{WE}$  leading edge in read-write cycles.
- 13 Access time is determined by the longest of  $t_{CAA}$  or  $t_{CAC}$  or  $t_{CPA}$
- 14  $t_{ASC} \geq t_{CP}$  to achieve  $t_{PC}(\text{min})$  and  $t_{CPA}(\text{max})$  values.
- 15 These parameters are sampled and not 100% tested.
- 16 These characteristics apply to AS4C4M4F0 5V devices.

## AC test conditions

- Access times are measured with output reference levels of  $V_{OH} = 2.4\text{V}$  and  $V_{OL} = 0.4\text{V}$ ,  
 $V_{IH} = 2.4\text{V}$  and  $V_{IL} = 0.8\text{V}$
- Input rise and fall times: 2 ns

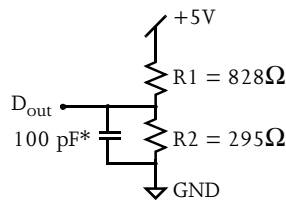


Figure A: Equivalent output load  
(AS4C4M4E0)

\*including scope  
and jig capacitance

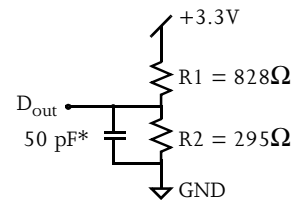


Figure B: Equivalent output load  
(AS4LC4M4E0)

\*including scope  
and jig capacitance

## Key to switching waveforms

Rising input

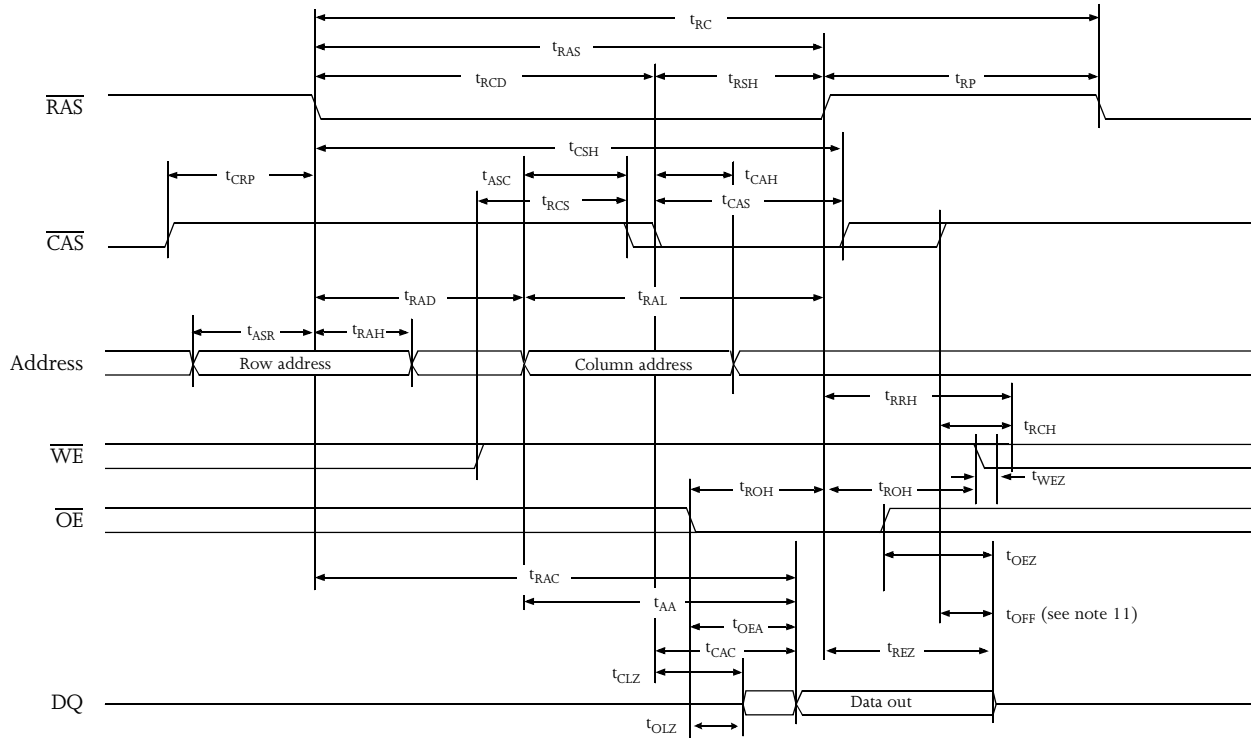
Falling input

Undefined output/don't care

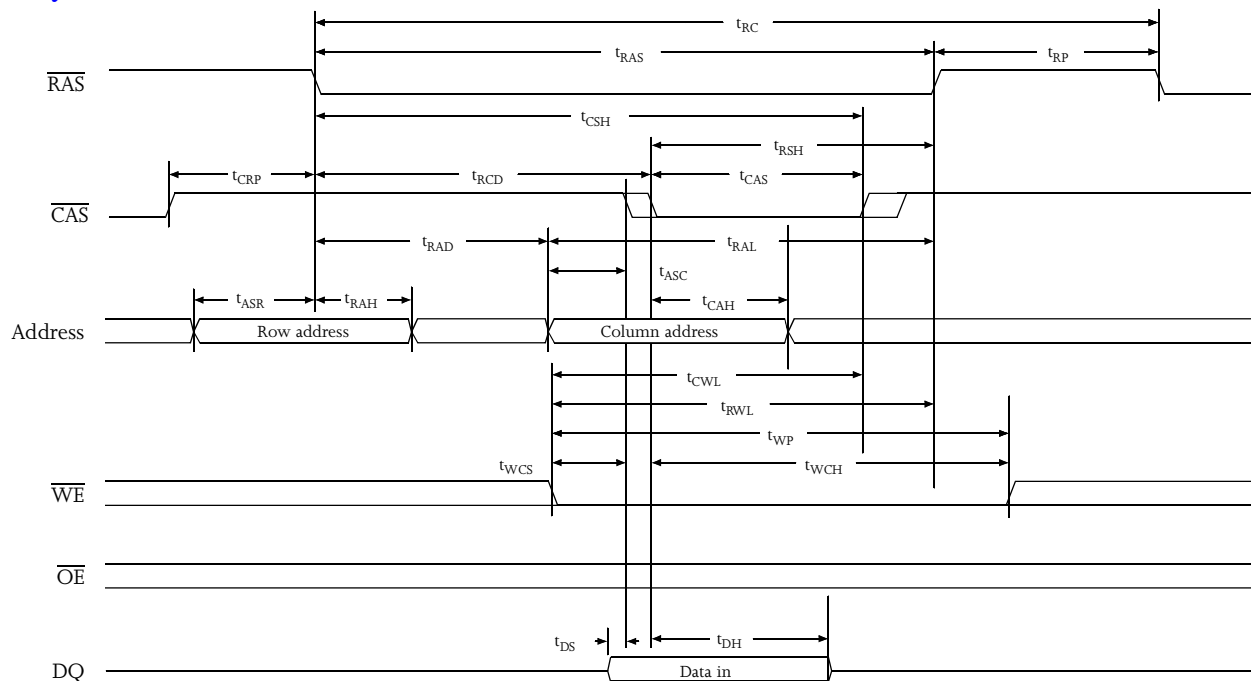




Read waveform



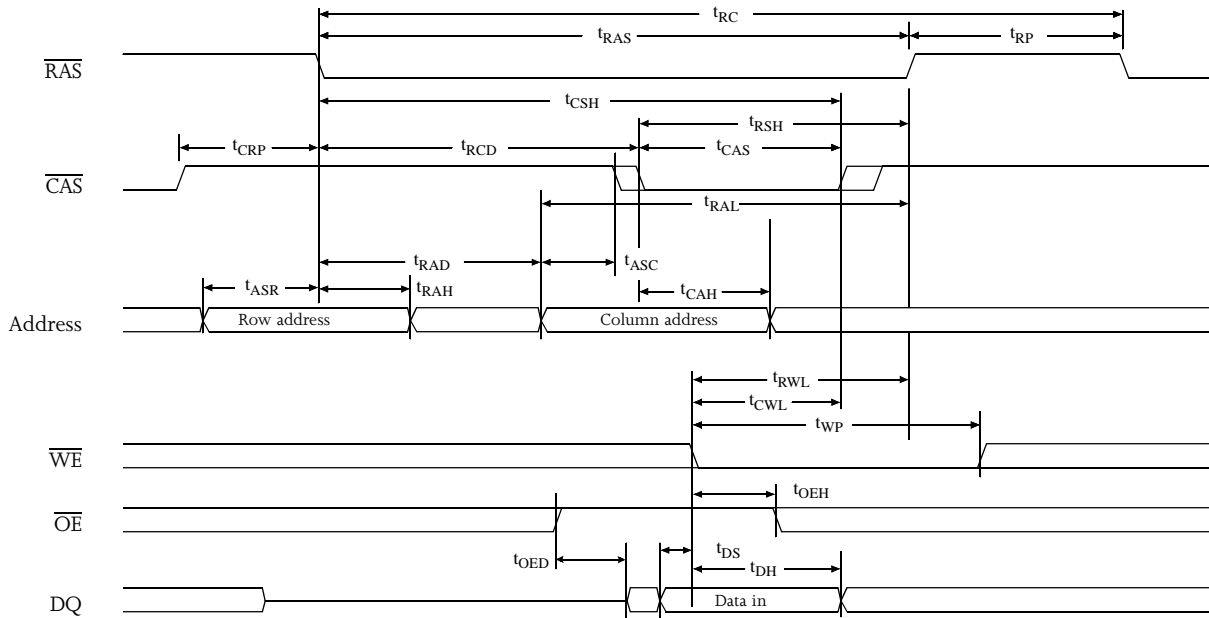
Early write waveform



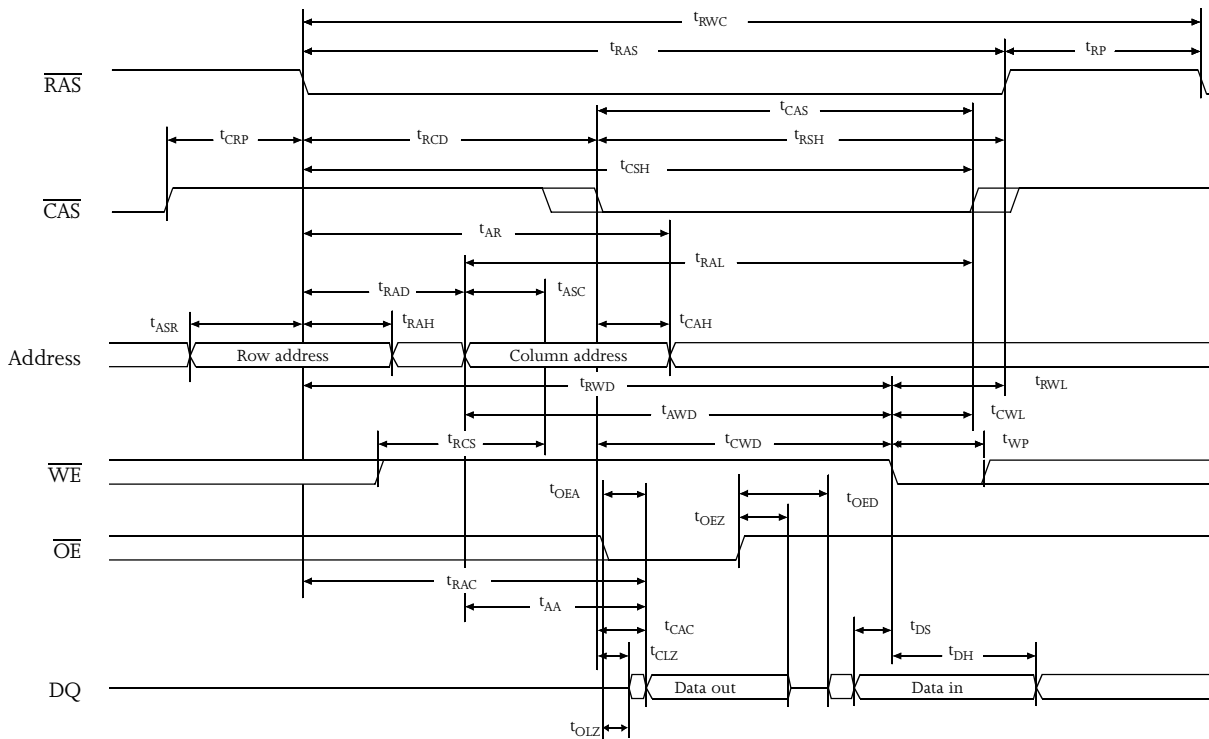


Write waveform

$\overline{OE}$  controlled

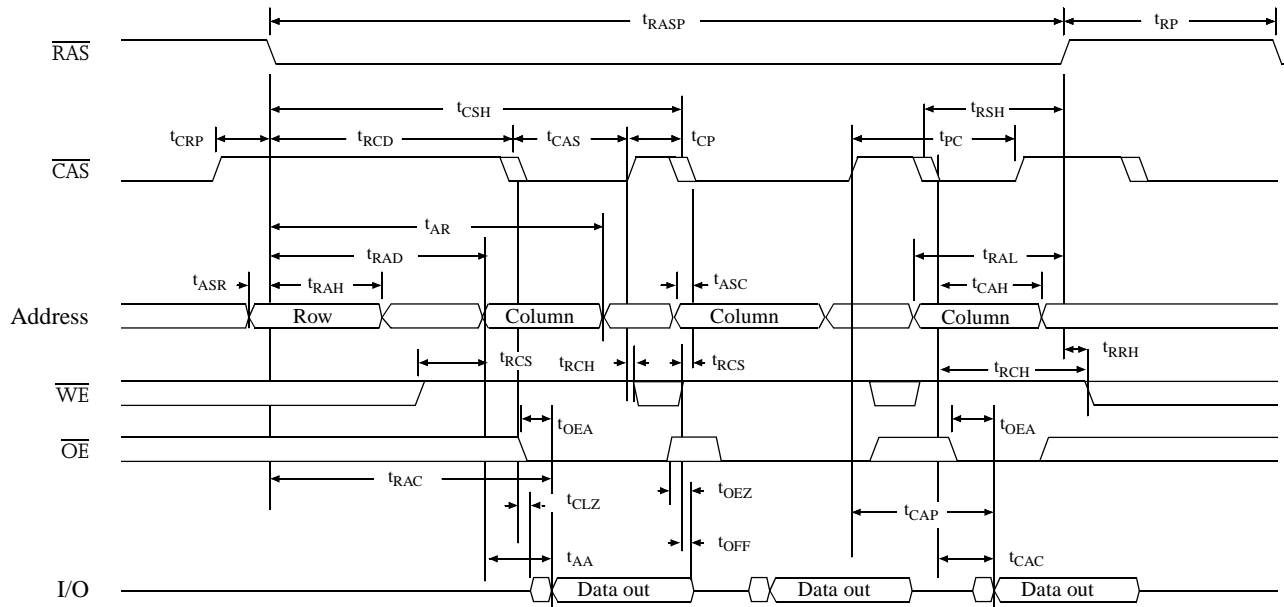


Read-modify-write waveform

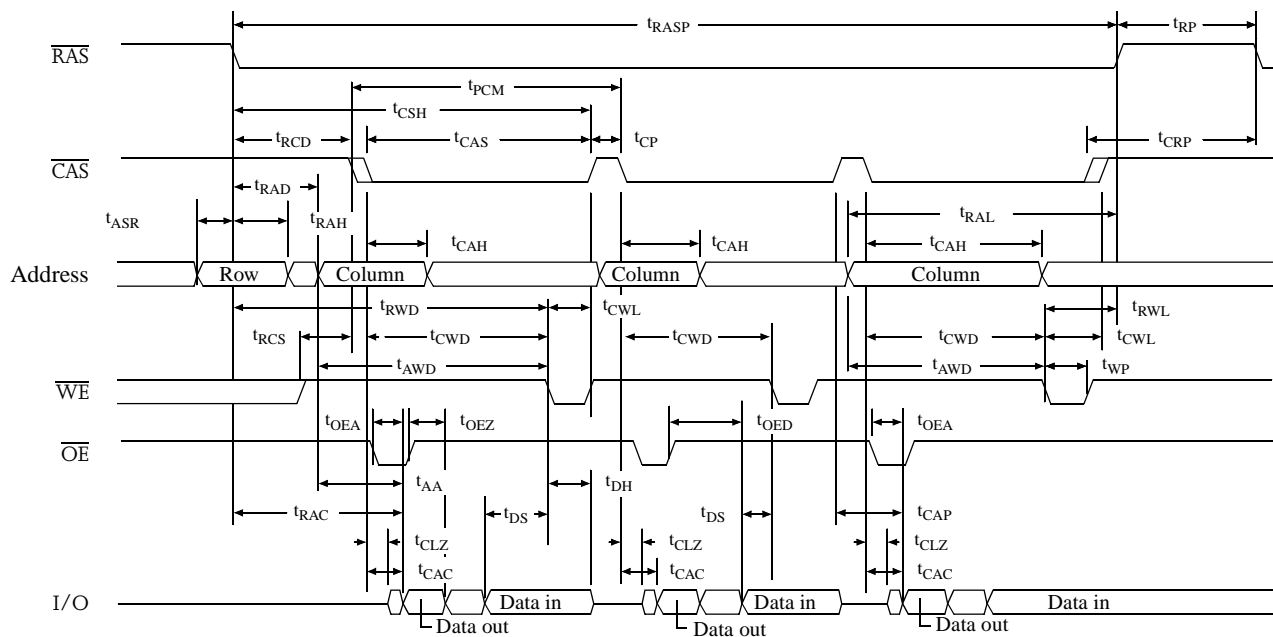




Fast page mode read waveform

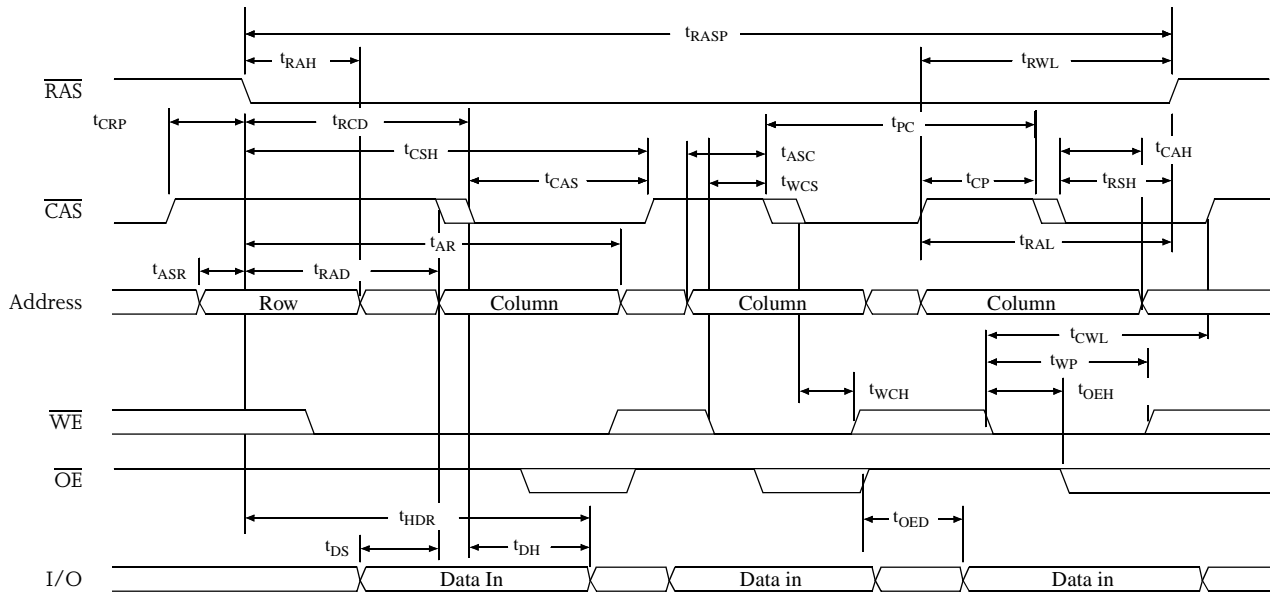


Fast page mode byte write waveform



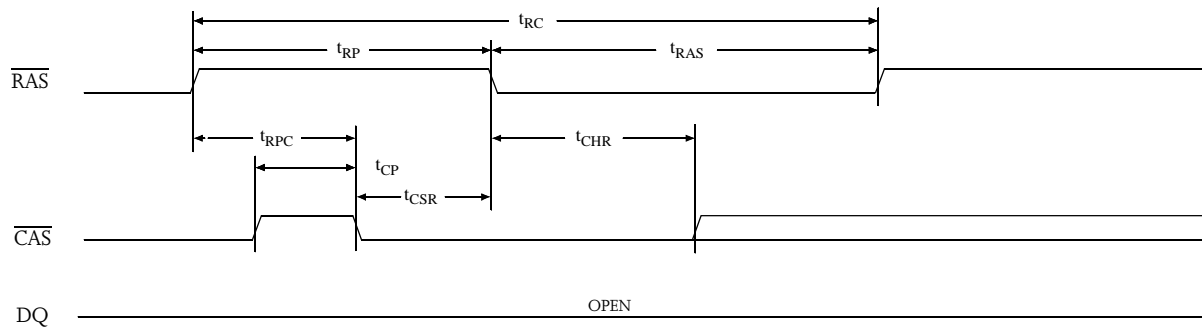


Fast page mode early write waveform



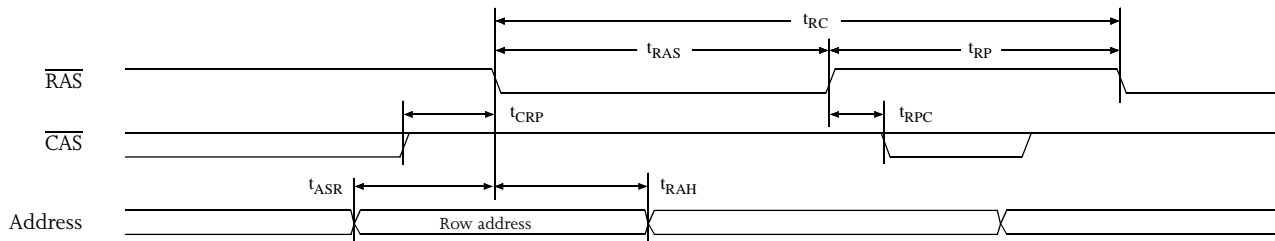
CAS before RAS refresh waveform

$\overline{WE} = V_{IH}$



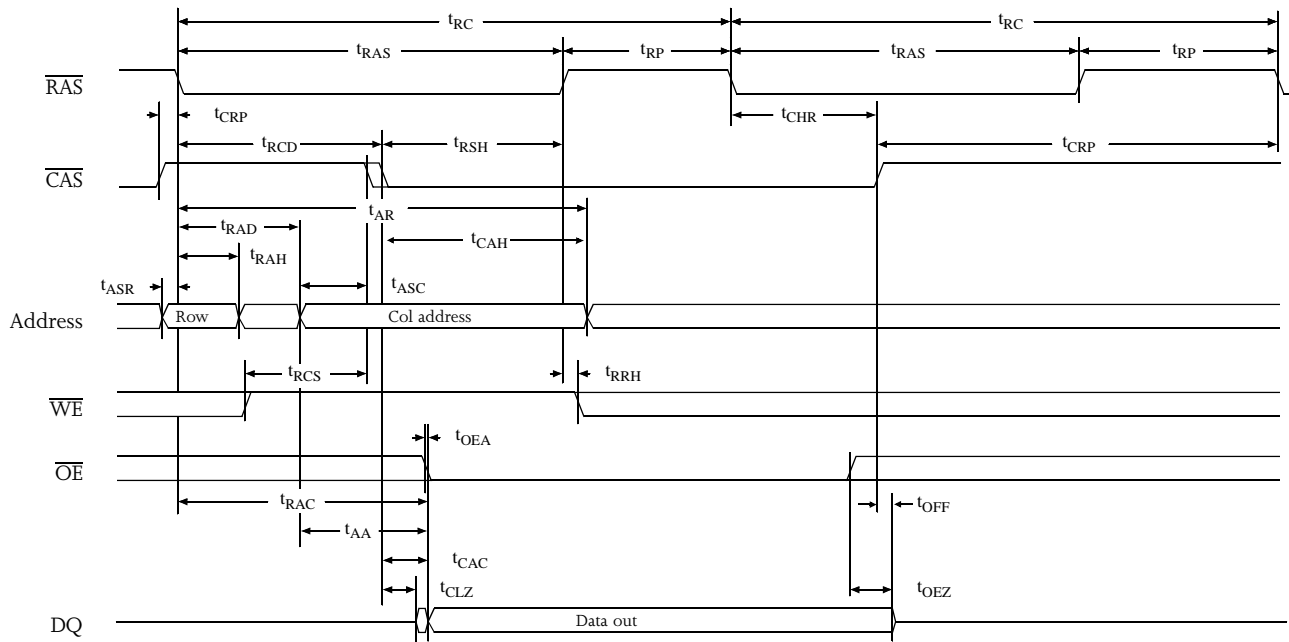
RAS only refresh waveform

$\overline{WE} = \overline{OE} = V_{IH}$  or  $V_{IL}$

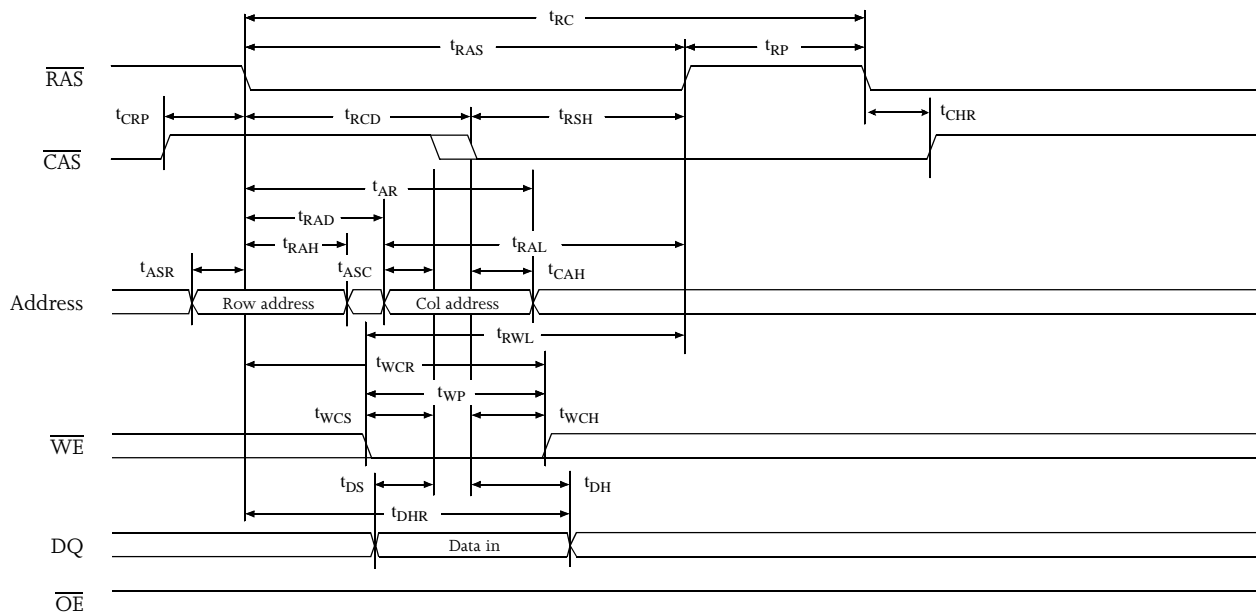




Hidden refresh waveform (read)

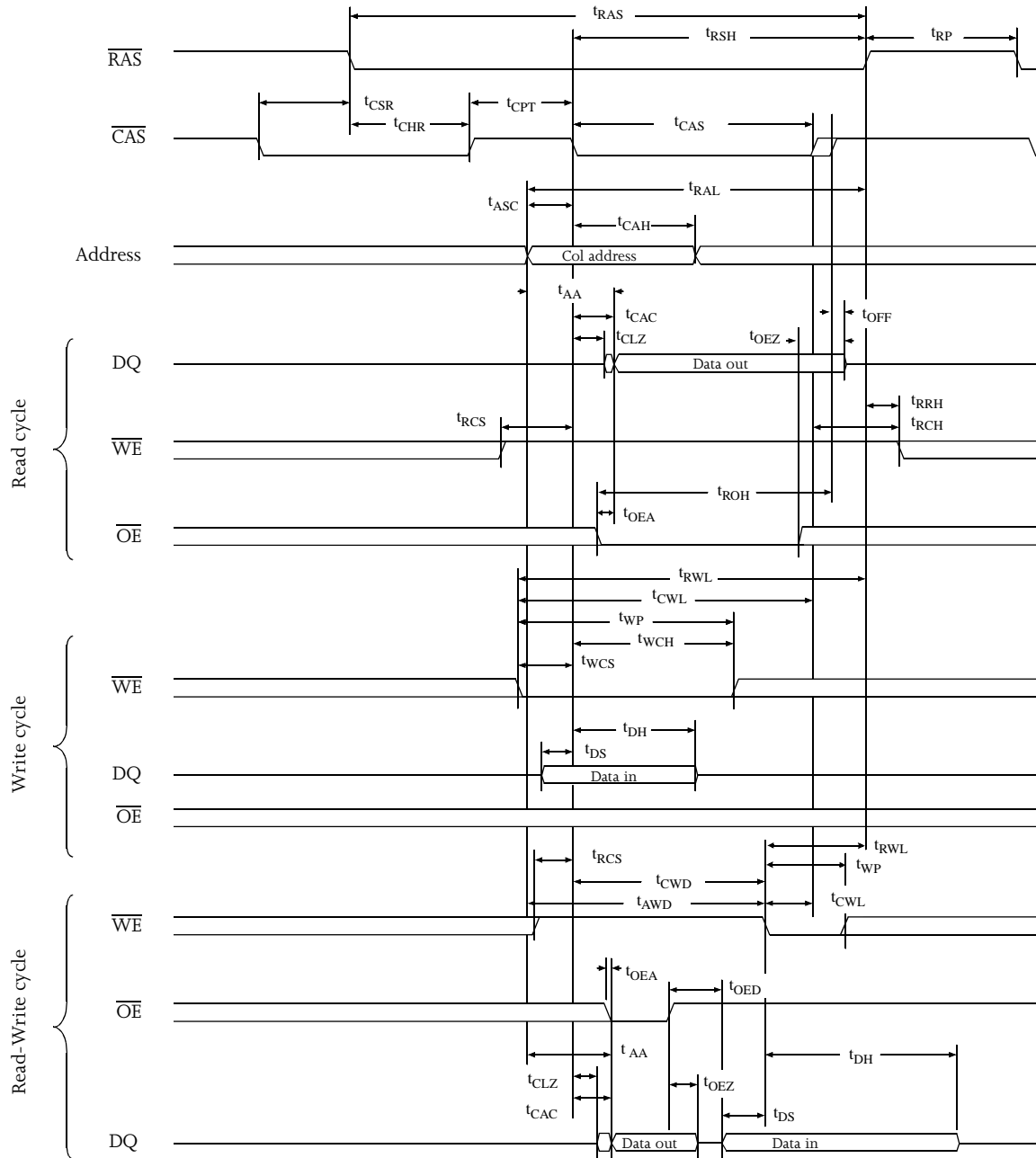


Hidden refresh waveform (write)



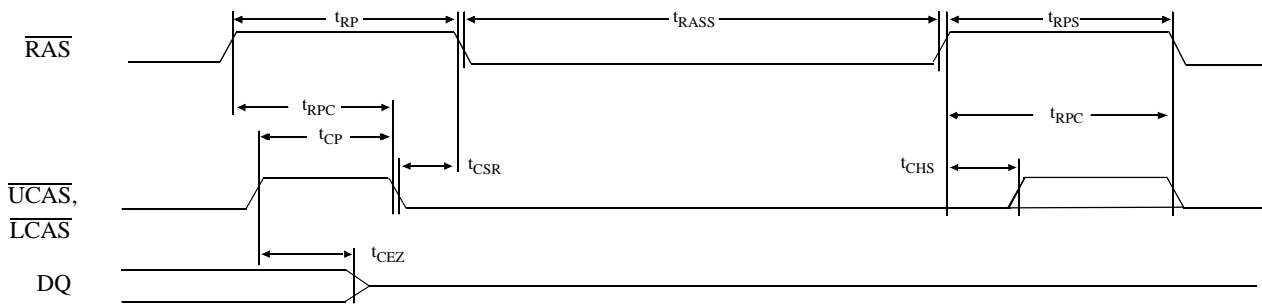


CAS before RAS refresh counter test waveform

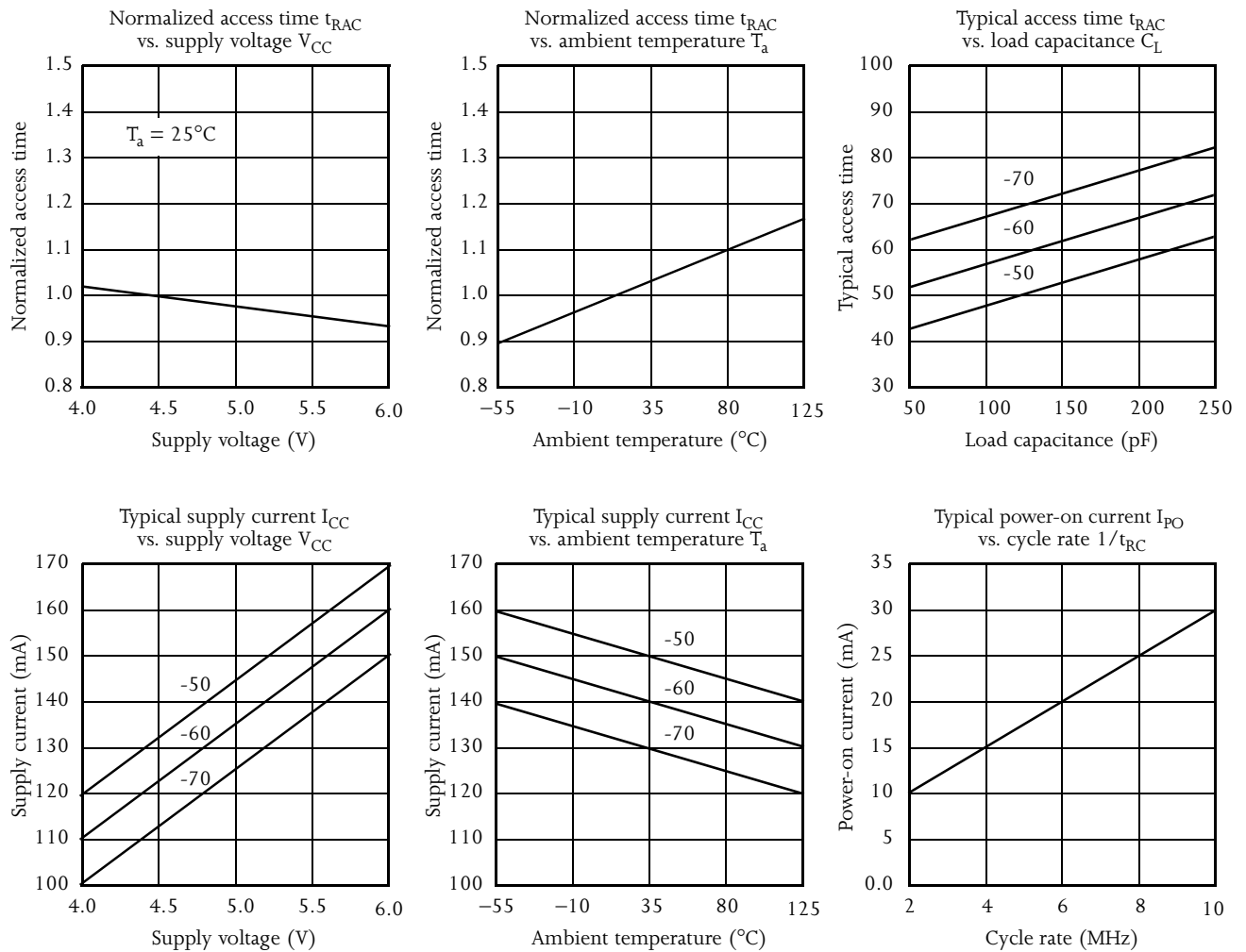


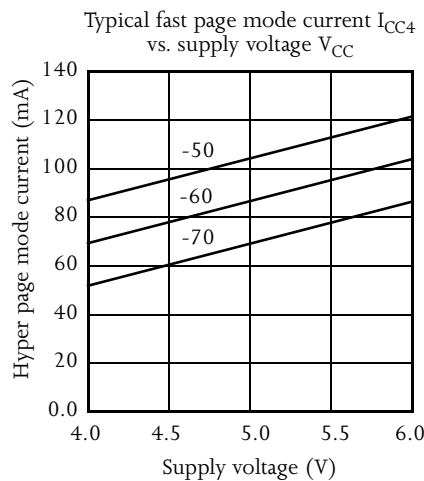
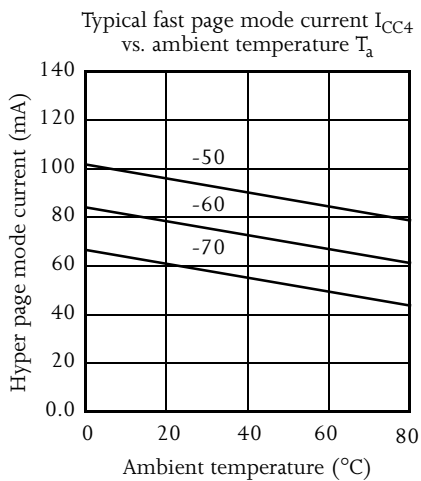
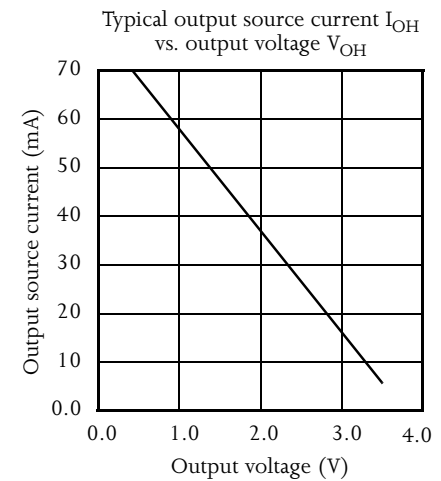
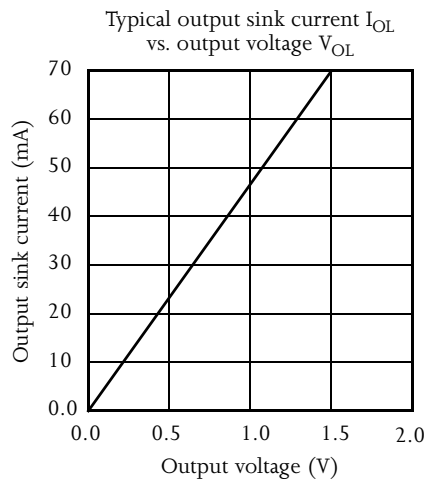
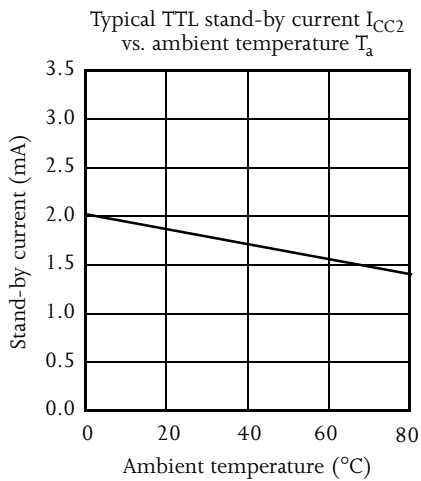
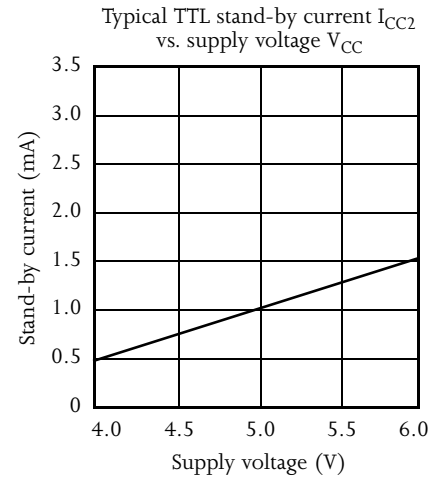
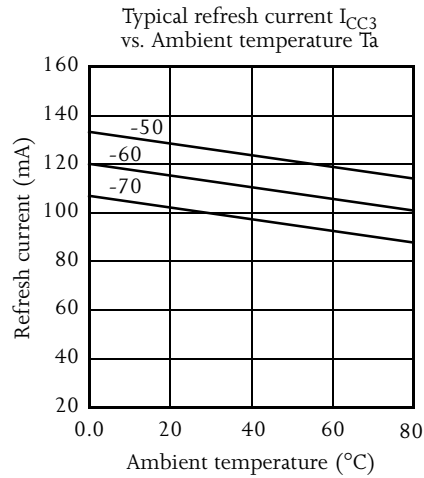
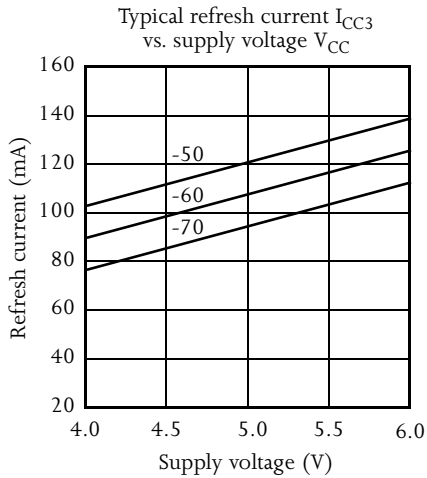


CAS-before-RAS self refresh cycle



Typical DC and AC characteristics









**Capacitance** <sup>15</sup>

$f = 1 \text{ MHz}$ ,  $T_a = \text{Room temperature}$

Parameter	Symbol	Signals	Test conditions	Max	Unit
Input capacitance	$C_{IN1}$	A0 to A9	$V_{in} = 0V$	5	pF
	$C_{IN2}$	$\overline{RAS}$ , $\overline{UCAS}$ , $\overline{LCAS}$ , $\overline{WE}$ , $\overline{OE}$	$V_{in} = 0V$	7	pF
DQ capacitance	$C_{DQ}$	DQ0 to DQ15	$V_{in} = V_{out} = 0V$	7	pF

**AS4C4M4F0 ordering information**

Package \ $\overline{RAS}$ access time		50 ns	60 ns
Plastic SOJ, 300 mil, 24/26-pin	5V	AS4C4M4F0-50JC AS4C4M4F0-50JI	AS4C4M4F0-60JC AS4C4M4F0-60JI
	5V	AS4C4M4F0-50TC AS4C4M4F0-50TI	AS4C4M4F0-60TC AS4C4M4F0-60TI

**AS4C4M4F1 ordering information**

Package \ $\overline{RAS}$ access time		50 ns	60 ns
Plastic SOJ, 300 mil, 24/26-pin	5V	AS4C4M4F1-50JC AS4C4M4F1-50JI	AS4C4M4F1-60JC AS4C4M4F1-60JI
	5V	AS4C4M4F1-50TC AS4C4M4F1-50TI	AS4C4M4F1-60TC AS4C4M4F1-60TI

**AS4C4M4F0/F1 family part numbering system**

AS4	C	4M4	F0/F1	-XX	X	X
DRAM prefix	C = 5V CMOS	4M×4	F0=4K refresh F1=2K refresh	$\overline{RAS}$ access time	Package: J = SOJ 300 mil, 24/26 T = TSOP 300 mil, 24/26	Temperature range C=Commercial, 0°C to 70 °C I=Industrial, -40°C to 85°C

© Copyright Alliance Semiconductor Corporation. All rights reserved. Our three-point logo, our name and Intelliwatt are trademarks or registered trademarks of Alliance. All other brand and product names may be the trademarks of their respective companies. Alliance reserves the right to make changes to this document and its products at any time without notice. Alliance assumes no responsibility for any errors that may appear in this document. The data contained herein represents Alliance's best data and/or estimates at the time of issuance. Alliance reserves the right to change or correct this data at any time, without notice. If the product described herein is under development, significant changes to these specifications are possible. The information in this product data sheet is intended to be general descriptive information for potential customers and users, and is not intended to operate as, or provide, any guarantee or warrantee to any user or customer. Alliance does not assume any responsibility or liability arising out of the application or use of any product described herein, and disclaims any express or implied warranties related to the sale and/or use of Alliance products including liability or warranties related to fitness for a particular purpose, merchantability, or infringement of any intellectual property rights, except as express agreed to in Alliance's Terms and Conditions of Sale (which are available from Alliance). All sales of Alliance products are made exclusively according to Alliance's Terms and Conditions of Sale. The purchase of products from Alliance does not convey a license under any patent rights, copyrights, mask works rights, trademarks, or any other intellectual property rights of Alliance or third parties. Alliance does not authorize its products for use as critical components in life-supporting systems where a malfunction or failure may reasonably be expected to result in significant injury to the user, and the inclusion of Alliance products in such life-supporting systems implies that the manufacturer assumes all risk of such use and agrees to indemnify Alliance against all claims arising from such use.

