

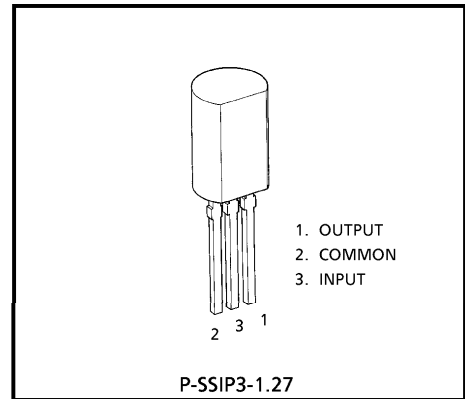
TOSHIBA BIPOLAR LINEAR INTEGRATED CIRCUIT SILICON MONOLITHIC

**TA79L005P, TA79L006P, TA79L008P, TA79L009P, TA79L010P
TA79L012P, TA79L015P, TA79L018P, TA79L020P, TA79L024P**

**- 5 V, - 6 V, - 8 V, - 9 V, - 10 V, - 12 V, - 15 V, - 18 V, - 20 V,
- 24 V 3-TERMINAL NEGATIVE VOLTAGE REGULATORS**

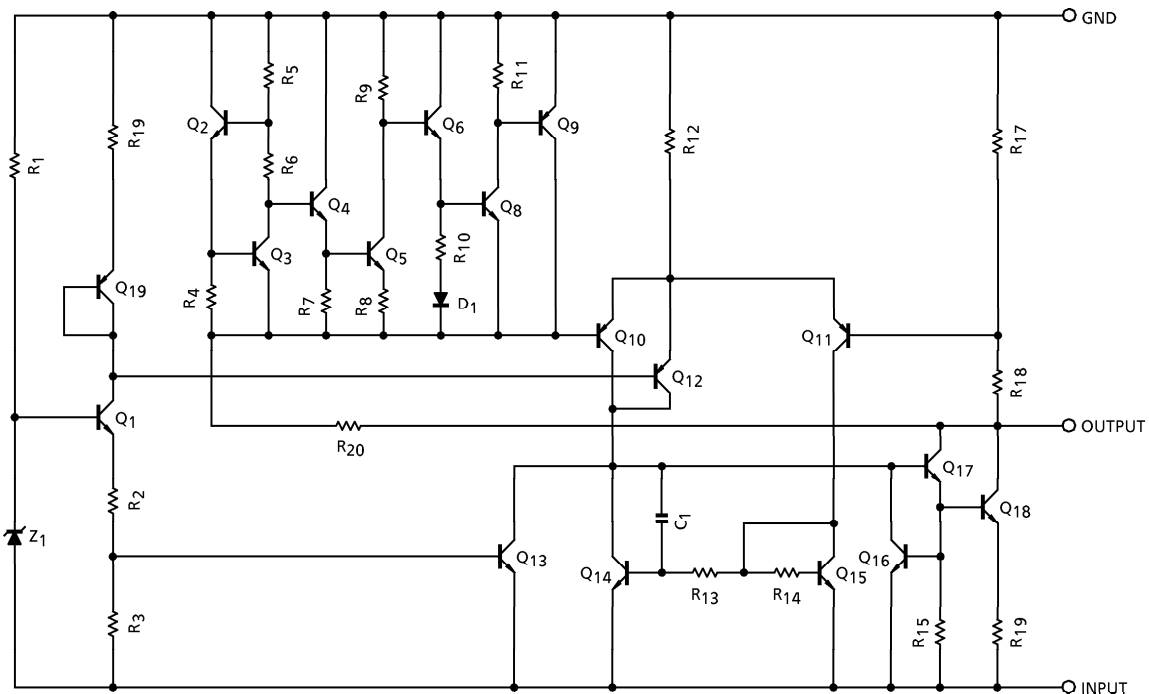
FEATURES

- Best suited to a power supply for TTL and C²MOS
- Built-in overcurrent protective circuit
- Built-in thermal protective circuit
- Max. output current 150 mA (T_j = 25°C)
- Packaged in TO-92MOD



Weight : 0.36 g (Typ.)

EQUIVALENT CIRCUIT



980910EBA2

● TOSHIBA is continually working to improve the quality and the reliability of its products. Nevertheless, semiconductor devices in general can malfunction or fail due to their inherent electrical sensitivity and vulnerability to physical stress. It is the responsibility of the buyer, when utilizing TOSHIBA products, to observe standards of safety, and to avoid situations in which a malfunction or failure of a TOSHIBA product could cause loss of human life, bodily injury or damage to property. In developing your designs, please ensure that TOSHIBA products are used within specified operating ranges as set forth in the most recent products specifications. Also, please keep in mind the precautions and conditions set forth in the TOSHIBA Semiconductor Reliability Handbook.

● The products described in this document are subject to the foreign exchange and foreign trade laws.

● The information contained herein is presented only as a guide for the applications of our products. No responsibility is assumed by TOSHIBA CORPORATION for any infringements of intellectual property or other rights of the third parties which may result from its use. No license is granted by implication or otherwise under any intellectual property or other rights of TOSHIBA CORPORATION or others.

● The information contained herein is subject to change without notice.

MAXIMUM RATINGS (Ta = 25°C)

CHARACTERISTIC		SYMBOL	RATING	UNIT
Input Voltage	TA79L005P	V _{IN}	- 35	V
	TA79L006P			
	TA79L008P			
	TA79L009P			
	TA79L010P			
	TA79L012P			
	TA79L015P			
	TA79L018P			
	TA79L020P		- 40	
	TA79L024P			
Power Dissipation	(Ta = 25°C)	P _D	800	mW
Operating Temperature		T _{opr}	- 30~85	°C
Storage Temperature		T _{stg}	- 55~150	°C
Junction Temperature		T _j	150	°C
Thermal Resistance		R _{th(j-a)}	156	°C/W

TA79L005P

ELECTRICAL CHARACTERISTICS (Unless otherwise specified, $V_{IN} = -10\text{ V}$, $I_{OUT} = 40\text{ mA}$, $C_{IN} = 0.33\ \mu\text{F}$,
 $C_{OUT} = 0.1\ \mu\text{F}$, $0^\circ\text{C} \leq T_j \leq 125^\circ\text{C}$)

CHARACTERISTIC	SYMBOL	TEST CIR-CUIT	TEST CONDITION	MIN.	TYP.	MAX.	UNIT	
Output Voltage	V_{OUT}	1	$T_j = 25^\circ\text{C}$	-5.2	-5.0	-4.8	V	
Line Regulation	Reg-Line	1	$T_j = 25^\circ\text{C}$	$-20\text{ V} \leq V_{IN} \leq -7.0\text{ V}$	—	55	150	mV
				$-20\text{ V} \leq V_{IN} \leq -8.0\text{ V}$	—	45	100	
Load Regulation	Reg-Load	1	$T_j = 25^\circ\text{C}$	$1.0\text{ mA} \leq I_{OUT} \leq 100\text{ mA}$	—	11	60	mV
				$1.0\text{ mA} \leq I_{OUT} \leq 40\text{ mA}$	—	5.0	30	
Output Voltage	V_{OUT}	1	$T_j = 25^\circ\text{C}$	$-20\text{ V} \leq V_{IN} \leq -7.0\text{ V}$	-5.25	—	-4.75	V
				$1.0\text{ mA} \leq I_{OUT} \leq 40\text{ mA}$	—	—	—	
				$1.0\text{ mA} \leq I_{OUT} \leq 70\text{ mA}$	-5.25	—	-4.75	
Quiescent Current	I_B	1	$T_j = 25^\circ\text{C}$	—	3.1	6.0	mA	
			$T_j = 125^\circ\text{C}$	—	—	5.5		
Quiescent Current Change	ΔI_B	1	$-20\text{ V} \leq V_{IN} \leq -8.0\text{ V}$, $T_j = 25^\circ\text{C}$	—	—	1.5	mA	
	ΔI_{BO}	1	$1.0\text{ mA} \leq I_{OUT} \leq 40\text{ mA}$, $T_j = 25^\circ\text{C}$	—	—	0.1		
Output Noise Voltage	V_{NO}	2	$T_a = 25^\circ\text{C}$ $10\text{ Hz} \leq f \leq 100\text{ kHz}$	—	40	—	μV_{rms}	
Long Term Stability	$\Delta V_{OUT} / \Delta t$	1	—	—	12	—	mV / kh	
Ripple Rejection Ratio	R.R.	3	$-18\text{ V} \leq V_{IN} \leq -8.0\text{ V}$ $T_j = 25^\circ\text{C}$, $f = 120\text{ Hz}$	41	49	—	dB	
Dropout Voltage	V_D	1	$T_j = 25^\circ\text{C}$	—	1.7	—	V	
Average Temperature Coefficient of Output Voltage	T_{CVO}	1	$I_{OUT} = 5\text{ mA}$	—	0.6	—	mV / °C	

TA79L006P

ELECTRICAL CHARACTERISTICS (Unless otherwise specified, $V_{IN} = -11\text{ V}$, $I_{OUT} = 40\text{ mA}$, $C_{IN} = 0.33\text{ }\mu\text{F}$,
 $C_{OUT} = 0.1\text{ }\mu\text{F}$, $0^\circ\text{C} \leq T_j \leq 125^\circ\text{C}$)

CHARACTERISTIC	SYMBOL	TEST CIR-CUIT	TEST CONDITION	MIN.	TYP.	MAX.	UNIT	
Output Voltage	V_{OUT}	1	$T_j = 25^\circ\text{C}$	-6.24	-6.0	-5.76	V	
Line Regulation	Reg-Line	1	$T_j = 25^\circ\text{C}$	$-21\text{ V} \leq V_{IN} \leq -8.1\text{ V}$	—	50	150	mV
				$-21\text{ V} \leq V_{IN} \leq -9.0\text{ V}$	—	45	110	
Load Regulation	Reg-Load	1	$T_j = 25^\circ\text{C}$	$1.0\text{ mA} \leq I_{OUT} \leq 100\text{ mA}$	—	12	70	mV
				$1.0\text{ mA} \leq I_{OUT} \leq 40\text{ mA}$	—	5.5	35	
Output Voltage	V_{OUT}	1	$T_j = 25^\circ\text{C}$	$-21\text{ V} \leq V_{IN} \leq -8.1\text{ V}$	-6.3	—	-5.7	V
				$1.0\text{ mA} \leq I_{OUT} \leq 40\text{ mA}$	—	—	—	
				$1.0\text{ mA} \leq I_{OUT} \leq 70\text{ mA}$	-6.3	—	-5.7	
Quiescent Current	I_B	1	$T_j = 25^\circ\text{C}$	—	3.1	6.0	mA	
			$T_j = 125^\circ\text{C}$	—	—	5.5		
Quiescent Current Change	ΔI_B	1	$-21\text{ V} \leq V_{IN} \leq -9.0\text{ V}$, $T_j = 25^\circ\text{C}$	—	—	1.5	mA	
	ΔI_{BO}	1	$1.0\text{ mA} \leq I_{OUT} \leq 40\text{ mA}$, $T_j = 25^\circ\text{C}$	—	—	0.1		
Output Noise Voltage	V_{NO}	2	$T_a = 25^\circ\text{C}$ $10\text{ Hz} \leq f \leq 100\text{ kHz}$	—	40	—	μV_{rms}	
Long Term Stability	$\Delta V_{OUT} / \Delta t$	1	—	—	14	—	mV / kh	
Ripple Rejection Ratio	R.R.	3	$-19\text{ V} \leq V_{IN} \leq -9.0\text{ V}$ $T_j = 25^\circ\text{C}$, $f = 120\text{ Hz}$	39	47	—	dB	
Dropout Voltage	V_D	1	$T_j = 25^\circ\text{C}$	—	1.7	—	V	
Average Temperature Coefficient of Output Voltage	T_{CVO}	1	$I_{OUT} = 5\text{ mA}$	—	0.7	—	mV / °C	

TA79L008P

ELECTRICAL CHARACTERISTICS (Unless otherwise specified, $V_{IN} = -14\text{ V}$, $I_{OUT} = 40\text{ mA}$, $C_{IN} = 0.33\text{ }\mu\text{F}$,
 $C_{OUT} = 0.1\text{ }\mu\text{F}$, $0^\circ\text{C} \leq T_j \leq 125^\circ\text{C}$)

CHARACTERISTIC	SYMBOL	TEST CIR-CUIT	TEST CONDITION	MIN.	TYP.	MAX.	UNIT	
Output Voltage	V_{OUT}	1	$T_j = 25^\circ\text{C}$	-8.3	-8.0	-7.7	V	
Line Regulation	Reg-Line	1	$T_j = 25^\circ\text{C}$	$-23\text{ V} \leq V_{IN} \leq -10.5\text{ V}$	—	20	175	mV
				$-23\text{ V} \leq V_{IN} \leq -11\text{ V}$	—	12	125	
Load Regulation	Reg-Load	1	$T_j = 25^\circ\text{C}$	$1.0\text{ mA} \leq I_{OUT} \leq 100\text{ mA}$	—	15	80	mV
				$1.0\text{ mA} \leq I_{OUT} \leq 40\text{ mA}$	—	7.0	40	
Output Voltage	V_{OUT}	1	$T_j = 25^\circ\text{C}$	$-23\text{ V} \leq V_{IN} \leq -10.5\text{ V}$	-8.4	—	-7.6	V
				$1.0\text{ mA} \leq I_{OUT} \leq 40\text{ mA}$	—	—	—	
				$1.0\text{ mA} \leq I_{OUT} \leq 70\text{ mA}$	-8.4	—	-7.6	
Quiescent Current	I_B	1	$T_j = 25^\circ\text{C}$	—	3.1	6.5	mA	
			$T_j = 125^\circ\text{C}$	—	—	6.0		
Quiescent Current Change	ΔI_B	1	$-23\text{ V} \leq V_{IN} \leq -11\text{ V}$, $T_j = 25^\circ\text{C}$	—	—	1.5	mA	
	ΔI_{BO}	1	$1.0\text{ mA} \leq I_{OUT} \leq 40\text{ mA}$, $T_j = 25^\circ\text{C}$	—	—	0.1		
Output Noise Voltage	V_{NO}	2	$T_a = 25^\circ\text{C}$ $10\text{ Hz} \leq f \leq 100\text{ kHz}$	—	60	—	μV_{rms}	
Long Term Stability	$\Delta V_{OUT} / \Delta t$	1	—	—	20	—	mV / kh	
Ripple Rejection Ratio	R.R.	3	$-23\text{ V} \leq V_{IN} \leq -12\text{ V}$ $T_j = 25^\circ\text{C}$, $f = 120\text{ Hz}$	37	45	—	dB	
Dropout Voltage	V_D	1	$T_j = 25^\circ\text{C}$	—	1.7	—	V	
Average Temperature Coefficient of Output Voltage	T_{CVO}	1	$I_{OUT} = 5\text{ mA}$	—	0.8	—	mV / °C	

TA79L009P

ELECTRICAL CHARACTERISTICS (Unless otherwise specified, $V_{IN} = -15\text{ V}$, $I_{OUT} = 40\text{ mA}$, $C_{IN} = 0.33\ \mu\text{F}$,
 $C_{OUT} = 0.1\ \mu\text{F}$, $0^\circ\text{C} \leq T_j \leq 125^\circ\text{C}$)

CHARACTERISTIC	SYMBOL	TEST CIRCUIT	TEST CONDITION	MIN.	TYP.	MAX.	UNIT	
Output Voltage	V_{OUT}	1	$T_j = 25^\circ\text{C}$	-9.36	-9.0	-8.64	V	
Line Regulation	Reg-Line	1	$T_j = 25^\circ\text{C}$	$-24\text{ V} \leq V_{IN} \leq -11.4\text{ V}$	—	80	200	mV
				$-24\text{ V} \leq V_{IN} \leq -12\text{ V}$	—	20	160	
Load Regulation	Reg-Load	1	$T_j = 25^\circ\text{C}$	$1.0\text{ mA} \leq I_{OUT} \leq 100\text{ mA}$	—	17	90	mV
				$1.0\text{ mA} \leq I_{OUT} \leq 40\text{ mA}$	—	8.0	45	
Output Voltage	V_{OUT}	1	$T_j = 25^\circ\text{C}$	$-24\text{ V} \leq V_{IN} \leq -11.4\text{ V}$	-9.45	—	-8.55	V
				$1.0\text{ mA} \leq I_{OUT} \leq 40\text{ mA}$	—	—	—	
				$1.0\text{ mA} \leq I_{OUT} \leq 70\text{ mA}$	-9.45	—	-8.55	
Quiescent Current	I_B	1	$T_j = 25^\circ\text{C}$	—	3.2	6.5	mA	
			$T_j = 125^\circ\text{C}$	—	—	6.0		
Quiescent Current Change	ΔI_B	1	$-24\text{ V} \leq V_{IN} \leq -12\text{ V}$, $T_j = 25^\circ\text{C}$	—	—	1.5	mA	
	ΔI_{BO}	1	$1.0\text{ mA} \leq I_{OUT} \leq 40\text{ mA}$, $T_j = 25^\circ\text{C}$	—	—	0.1		
Output Noise Voltage	V_{NO}	2	$T_a = 25^\circ\text{C}$ $10\text{ Hz} \leq f \leq 100\text{ kHz}$	—	65	—	μV_{rms}	
Long Term Stability	$\Delta V_{OUT} / \Delta t$	1	—	—	21	—	mV / kh	
Ripple Rejection Ratio	R.R.	3	$-24\text{ V} \leq V_{IN} \leq -12\text{ V}$ $T_j = 25^\circ\text{C}$, $f = 120\text{ Hz}$	36	44	—	dB	
Dropout Voltage	V_D	1	$T_j = 25^\circ\text{C}$	—	1.7	—	V	
Average Temperature Coefficient of Output Voltage	T_{CVO}	1	$I_{OUT} = 5\text{ mA}$	—	0.85	—	mV / °C	

TA79L010P

ELECTRICAL CHARACTERISTICS (Unless otherwise specified, $V_{IN} = -16V$, $I_{OUT} = 40\text{ mA}$, $C_{IN} = 0.33\ \mu\text{F}$,
 $C_{OUT} = 0.1\ \mu\text{F}$, $0^\circ\text{C} \leq T_j \leq 125^\circ\text{C}$)

CHARACTERISTIC	SYMBOL	TEST CIRCUIT	TEST CONDITION	MIN.	TYP.	MAX.	UNIT	
Output Voltage	V_{OUT}	1	$T_j = 25^\circ\text{C}$	-10.4	-10.0	-9.6	V	
Line Regulation	Reg-Line	1	$T_j = 25^\circ\text{C}$	$-25\text{ V} \leq V_{IN} \leq -12.5\text{ V}$	—	80	230	mV
				$-25\text{ V} \leq V_{IN} \leq -13\text{ V}$	—	30	170	
Load Regulation	Reg-Load	1	$T_j = 25^\circ\text{C}$	$1.0\text{ mA} \leq I_{OUT} \leq 100\text{ mA}$	—	18	90	mV
				$1.0\text{ mA} \leq I_{OUT} \leq 40\text{ mA}$	—	8.5	45	
Output Voltage	V_{OUT}	1	$T_j = 25^\circ\text{C}$	$-25\text{ V} \leq V_{IN} \leq -12.5\text{ V}$	-10.5	—	-9.5	V
				$1.0\text{ mA} \leq I_{OUT} \leq 40\text{ mA}$	—	—	—	
				$1.0\text{ mA} \leq I_{OUT} \leq 70\text{ mA}$	-10.5	—	-9.5	
Quiescent Current	I_B	1	$T_j = 25^\circ\text{C}$	—	3.2	6.5	mA	
			$T_j = 125^\circ\text{C}$	—	—	6.0		
Quiescent Current Change	ΔI_B	1	$-25\text{ V} \leq V_{IN} \leq -13\text{ V}$, $T_j = 25^\circ\text{C}$	—	—	1.5	mA	
	ΔI_{BO}	1	$1.0\text{ mA} \leq I_{OUT} \leq 40\text{ mA}$, $T_j = 25^\circ\text{C}$	—	—	0.1		
Output Noise Voltage	V_{NO}	2	$T_a = 25^\circ\text{C}$ $10\text{ Hz} \leq f \leq 100\text{ kHz}$	—	70	—	μV_{rms}	
Long Term Stability	$\Delta V_{OUT} / \Delta t$	1	—	—	22	—	mV / kh	
Ripple Rejection Ratio	R.R.	3	$-24\text{ V} \leq V_{IN} \leq -13\text{ V}$ $T_j = 25^\circ\text{C}$, $f = 120\text{ Hz}$	36	43	—	dB	
Dropout Voltage	V_D	1	$T_j = 25^\circ\text{C}$	—	1.7	—	V	
Average Temperature Coefficient of Output Voltage	T_{CVO}	1	$I_{OUT} = 5\text{ mA}$	—	0.9	—	mV / °C	

TA79L012P

ELECTRICAL CHARACTERISTICS (Unless otherwise specified, $V_{IN} = -19\text{ V}$, $I_{OUT} = 40\text{ mA}$, $C_{IN} = 0.33\text{ }\mu\text{F}$,
 $C_{OUT} = 0.1\text{ }\mu\text{F}$, $0^\circ\text{C} \leq T_j \leq 125^\circ\text{C}$)

CHARACTERISTIC	SYMBOL	TEST CIRCUIT	TEST CONDITION	MIN.	TYP.	MAX.	UNIT	
Output Voltage	V_{OUT}	1	$T_j = 25^\circ\text{C}$	-12.5	-12.0	-11.5	V	
Line Regulation	Reg·line	1	$T_j = 25^\circ\text{C}$	$-27\text{ V} \leq V_{IN} \leq -14.5\text{ V}$	—	120	250	mV
				$-27\text{ V} \leq V_{IN} \leq -16\text{ V}$	—	100	200	
Load Regulation	Reg·load	1	$T_j = 25^\circ\text{C}$	$1.0\text{ mA} \leq I_{OUT} \leq 100\text{ mA}$	—	20	100	mV
				$1.0\text{ mA} \leq I_{OUT} \leq 40\text{ mA}$	—	10	50	
Output Voltage	V_{OUT}	1	$T_j = 25^\circ\text{C}$	$-27\text{ V} \leq V_{IN} \leq -14.5\text{ V}$	-12.6	—	-11.4	V
				$1.0\text{ mA} \leq I_{OUT} \leq 40\text{ mA}$	—	—	—	
				$1.0\text{ mA} \leq I_{OUT} \leq 70\text{ mA}$	-12.6	—	-11.4	
Quiescent Current	I_B	1	$T_j = 25^\circ\text{C}$	—	3.2	6.5	mA	
			$T_j = 125^\circ\text{C}$	—	—	6.0		
Quiescent Current Change	ΔI_B	1	$-27\text{ V} \leq V_{IN} \leq -16\text{ V}$, $T_j = 25^\circ\text{C}$	—	—	1.5	mA	
	ΔI_{BO}	1	$1.0\text{ mA} \leq I_{OUT} \leq 40\text{ mA}$, $T_j = 25^\circ\text{C}$	—	—	0.1		
Output Noise Voltage	V_{NO}	2	$T_a = 25^\circ\text{C}$ $10\text{ Hz} \leq f \leq 100\text{ kHz}$	—	80	—	μV_{rms}	
Long Term Stability	$\Delta V_{OUT} / \Delta t$	1	—	—	24	—	mV / kh	
Ripple Rejection Ratio	R.R.	3	$-25\text{ V} \leq V_{IN} \leq -15\text{ V}$ $T_j = 25^\circ\text{C}$, $f = 120\text{ Hz}$	37	42	—	dB	
Dropout Voltage	V_D	1	$T_j = 25^\circ\text{C}$	—	1.7	—	V	
Average Temperature Coefficient of Output Voltage	T_{CVO}	1	$I_{OUT} = 5\text{ mA}$	—	1.0	—	mV / °C	

TA79L015P

ELECTRICAL CHARACTERISTICS (Unless otherwise specified, $V_{IN} = -23\text{ V}$, $I_{OUT} = 40\text{ mA}$, $C_{IN} = 0.33\text{ }\mu\text{F}$,
 $C_{OUT} = 0.1\text{ }\mu\text{F}$, $0^\circ\text{C} \leq T_j \leq 125^\circ\text{C}$)

CHARACTERISTIC	SYMBOL	TEST CIRCUIT	TEST CONDITION	MIN.	TYP.	MAX.	UNIT	
Output Voltage	V_{OUT}	1	$T_j = 25^\circ\text{C}$	-15.6	-15.0	-14.4	V	
Line Regulation	Reg-line	1	$T_j = 25^\circ\text{C}$	$-30\text{ V} \leq V_{IN} \leq -17.5\text{ V}$	—	130	300	mV
				$-30\text{ V} \leq V_{IN} \leq -20\text{ V}$	—	110	250	
Load Regulation	Reg-load	1	$T_j = 25^\circ\text{C}$	$1.0\text{ mA} \leq I_{OUT} \leq 100\text{ mA}$	—	25	150	mV
				$1.0\text{ mA} \leq I_{OUT} \leq 40\text{ mA}$	—	12	75	
Output Voltage	V_{OUT}	1	$T_j = 25^\circ\text{C}$	$-30\text{ V} \leq V_{IN} \leq -17.5\text{ V}$	-15.75	—	-14.25	V
				$1.0\text{ mA} \leq I_{OUT} \leq 40\text{ mA}$	—	—	—	
				$1.0\text{ mA} \leq I_{OUT} \leq 70\text{ mA}$	-15.75	—	-14.25	
Quiescent Current	I_B	1	$T_j = 25^\circ\text{C}$	—	3.3	6.5	mA	
			$T_j = 125^\circ\text{C}$	—	—	6.0		
Quiescent Current Change	ΔI_B	1	$-30\text{ V} \leq V_{IN} \leq -20\text{ V}$, $T_j = 25^\circ\text{C}$	—	—	1.5	mA	
	ΔI_{BO}	1	$1.0\text{ mA} \leq I_{OUT} \leq 40\text{ mA}$, $T_j = 25^\circ\text{C}$	—	—	0.1		
Output Noise Voltage	V_{NO}	2	$T_a = 25^\circ\text{C}$ $10\text{ Hz} \leq f \leq 100\text{ kHz}$	—	90	—	μV_{rms}	
Long Term Stability	$\Delta V_{OUT} / \Delta t$	1	—	—	30	—	mV / kh	
Ripple Rejection Ratio	R.R.	3	$-28.5\text{ V} \leq V_{IN} \leq -18.5\text{ V}$ $T_j = 25^\circ\text{C}$, $f = 120\text{ Hz}$	34	39	—	dB	
Dropout Voltage	V_D	1	$T_j = 25^\circ\text{C}$	—	1.7	—	V	
Average Temperature Coefficient of Output Voltage	T_{CVO}	1	$I_{OUT} = 5\text{ mA}$	—	1.3	—	mV / °C	

TA79L018P

ELECTRICAL CHARACTERISTICS (Unless otherwise specified, $V_{IN} = -27\text{ V}$, $I_{OUT} = 40\text{ mA}$, $C_{IN} = 0.33\text{ }\mu\text{F}$, $C_{OUT} = 0.1\text{ }\mu\text{F}$, $0^\circ\text{C} \leq T_j \leq 125^\circ\text{C}$)

CHARACTERISTIC	SYMBOL	TEST CIRCUIT	TEST CONDITION	MIN.	TYP.	MAX.	UNIT	
Output Voltage	V_{OUT}	1	$T_j = 25^\circ\text{C}$	-18.7	-18.0	-17.3	V	
Line Regulation	Reg·line	1	$T_j = 25^\circ\text{C}$	$-33\text{ V} \leq V_{IN} \leq 20.7\text{ V}$	—	32	325	mV
				$-33\text{ V} \leq V_{IN} \leq -21\text{ V}$	—	27	275	
Load Regulation	Reg·load	1	$T_j = 25^\circ\text{C}$	$1.0\text{ mA} \leq I_{OUT} \leq 100\text{ mA}$	—	30	170	mV
				$1.0\text{ mA} \leq I_{OUT} \leq 40\text{ mA}$	—	15	75	
Output Voltage	V_{OUT}	1	$T_j = 25^\circ\text{C}$	$-33\text{ V} \leq V_{IN} \leq -20.9\text{ V}$	-18.9	—	-17.1	V
				$1.0\text{ mA} \leq I_{OUT} \leq 40\text{ mA}$	—	—	—	
				$1.0\text{ mA} \leq I_{OUT} \leq 70\text{ mA}$	-18.9	—	-17.1	
Quiescent Current	I_B	1	$T_j = 25^\circ\text{C}$	—	3.3	6.5	mA	
			$T_j = 125^\circ\text{C}$	—	—	6.0		
Quiescent Current Change	ΔI_B	1	$-33\text{ V} \leq V_{IN} \leq -21\text{ V}$, $T_j = 25^\circ\text{C}$	—	—	1.5	mA	
	ΔI_{BO}	1	$1.0\text{ mA} \leq I_{OUT} \leq 40\text{ mA}$, $T_j = 25^\circ\text{C}$	—	—	0.1		
Output Noise Voltage	V_{NO}	2	$T_a = 25^\circ\text{C}$ $10\text{ Hz} \leq f \leq 100\text{ kHz}$	—	150	—	μV_{rms}	
Long Term Stability	$\Delta V_{OUT} / \Delta t$	1	—	—	45	—	mV / kh	
Ripple Rejection Ratio	R.R.	3	$-33\text{ V} \leq V_{IN} \leq -23\text{ V}$ $T_j = 25^\circ\text{C}$, $f = 120\text{ Hz}$	33	48	—	dB	
Dropout Voltage	V_D	1	$T_j = 25^\circ\text{C}$	—	1.7	—	V	
Average Temperature Coefficient of Output Voltage	T_{CVO}	1	$I_{OUT} = 5\text{ mA}$	—	1.5	—	mV / °C	

TA79L020P

ELECTRICAL CHARACTERISTICS (Unless otherwise specified, $V_{IN} = -29\text{ V}$, $I_{OUT} = 40\text{ mA}$, $C_{IN} = 0.33\text{ }\mu\text{F}$, $C_{OUT} = 0.1\text{ }\mu\text{F}$, $0^\circ\text{C} \leq T_j \leq 125^\circ\text{C}$)

CHARACTERISTIC	SYMBOL	TEST CIRCUIT	TEST CONDITION	MIN.	TYP.	MAX.	UNIT	
Output Voltage	V_{OUT}	1	$T_j = 25^\circ\text{C}$	-20.8	-20.0	-19.2	V	
Line Regulation	Reg·line	1	$T_j = 25^\circ\text{C}$	$-35\text{ V} \leq V_{IN} \leq -23.5\text{ V}$	—	33	330	mV
				$-35\text{ V} \leq V_{IN} \leq -24\text{ V}$	—	28	285	
Load Regulation	Reg·load	1	$T_j = 25^\circ\text{C}$	$1.0\text{ mA} \leq I_{OUT} \leq 100\text{ mA}$	—	33	180	mV
				$1.0\text{ mA} \leq I_{OUT} \leq 40\text{ mA}$	—	17	90	
Output Voltage	V_{OUT}	1	$T_j = 25^\circ\text{C}$	$-35\text{ V} \leq V_{IN} \leq -23.5\text{ V}$	-21.0	—	-19.0	V
				$1.0\text{ mA} \leq I_{OUT} \leq 40\text{ mA}$	—	—	—	
				$1.0\text{ mA} \leq I_{OUT} \leq 70\text{ mA}$	-21.0	—	-19.0	
Quiescent Current	I_B	1	$T_j = 25^\circ\text{C}$	—	3.3	6.5	mA	
			$T_j = 125^\circ\text{C}$	—	—	6.0		
Quiescent Current Change	ΔI_B	1	$-35\text{ V} \leq V_{IN} \leq -24\text{ V}$, $T_j = 25^\circ\text{C}$	—	—	1.5	mA	
	ΔI_{BO}	1	$10\text{ mA} \leq I_{OUT} \leq 40\text{ mA}$, $T_j = 25^\circ\text{C}$	—	—	0.1		
Output Noise Voltage	V_{NO}	2	$T_a = 25^\circ\text{C}$ $10\text{ Hz} \leq f \leq 100\text{ kHz}$	—	170	—	μV_{rms}	
Long Term Stability	$\Delta V_{OUT} / \Delta t$	1	—	—	49	—	mV / kh	
Ripple Rejection Ratio	R.R.	3	$-35\text{ V} \leq V_{IN} \leq -27\text{ V}$ $T_j = 25^\circ\text{C}$, $f = 120\text{ Hz}$	31	37	—	dB	
Dropout Voltage	V_D	1	$T_j = 25^\circ\text{C}$	—	1.7	—	V	
Average Temperature Coefficient of Output Voltage	T_{CVO}	1	$I_{OUT} = 5\text{ mA}$	—	1.7	—	mV / °C	

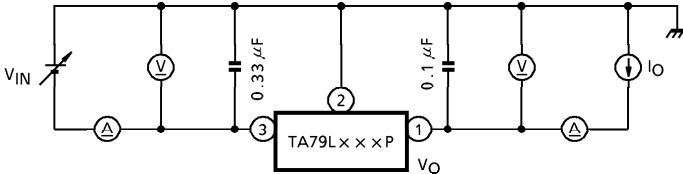
TA79L024P

ELECTRICAL CHARACTERISTICS (Unless otherwise specified, $V_{IN} = -33\text{ V}$, $I_{OUT} = 40\text{ mA}$, $C_{IN} = 0.33\text{ }\mu\text{F}$,
 $C_{OUT} = 0.1\text{ }\mu\text{F}$, $0^\circ\text{C} \leq T_j \leq 125^\circ\text{C}$)

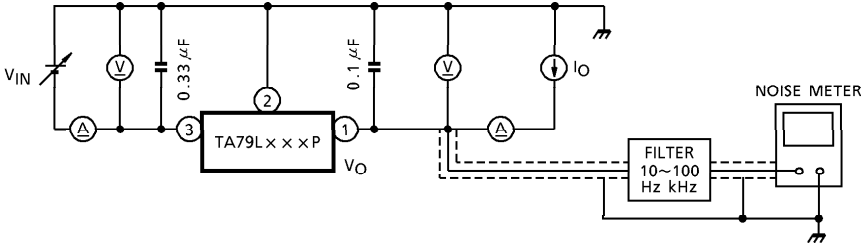
CHARACTERISTIC	SYMBOL	TEST CIR-CUIT	TEST CONDITION	MIN.	TYP.	MAX.	UNIT	
Output Voltage	V_{OUT}	1	$T_j = 25^\circ\text{C}$	-25.0	-24.0	-23.0	V	
Line Regulation	Reg·line	1	$T_j = 25^\circ\text{C}$	$-38\text{ V} \leq V_{IN} \leq -27\text{ V}$	—	35	350	mV
				$-38\text{ V} \leq V_{IN} \leq -28\text{ V}$	—	30	300	
Load Regulation	Reg·load	1	$T_j = 25^\circ\text{C}$	$1.0\text{ mA} \leq I_{OUT} \leq 100\text{ mA}$	—	40	200	mV
				$1.0\text{ mA} \leq I_{OUT} \leq 40\text{ mA}$	—	20	100	
Output Voltage	V_{OUT}	1	$T_j = 25^\circ\text{C}$	$-38\text{ V} \leq V_{IN} \leq -27\text{ V}$	-25.2	—	-22.8	V
				$1.0\text{ mA} \leq I_{OUT} \leq 40\text{ mA}$	—	—	—	
				$1.0\text{ mA} \leq I_{OUT} \leq 70\text{ mA}$	-25.2	—	-22.8	
Quiescent Current	I_B	1	$T_j = 25^\circ\text{C}$	—	3.5	6.5	mA	
			$T_j = 125^\circ\text{C}$	—	—	6.0		
Quiescent Current Change	ΔI_B	1	$-38\text{ V} \leq V_{IN} \leq -28\text{ V}$, $T_j = 25^\circ\text{C}$	—	—	1.5	mA	
	ΔI_{BO}	1	$1.0\text{ mA} \leq I_{OUT} \leq 40\text{ mA}$, $T_j = 25^\circ\text{C}$	—	—	0.1		
Output Noise Voltage	V_{NO}	2	$T_a = 25^\circ\text{C}$ $10\text{ Hz} \leq f \leq 100\text{ kHz}$	—	200	—	μV_{rms}	
Long Term Stability	$\Delta V_{OUT} / \Delta t$	1	—	—	56	—	mV / kh	
Ripple Rejection Ratio	R.R.	3	$-35\text{ V} \leq V_{IN} \leq -29\text{ V}$ $T_j = 25^\circ\text{C}$, $f = 120\text{ Hz}$	31	47	—	dB	
Dropout Voltage	V_D	1	$T_j = 25^\circ\text{C}$	—	1.7	—	V	
Average Temperature Coefficient of Output Voltage	T_{CVO}	1	$I_{OUT} = 5\text{ mA}$	—	2.0	—	mV / °C	

TEST CIRCUIT

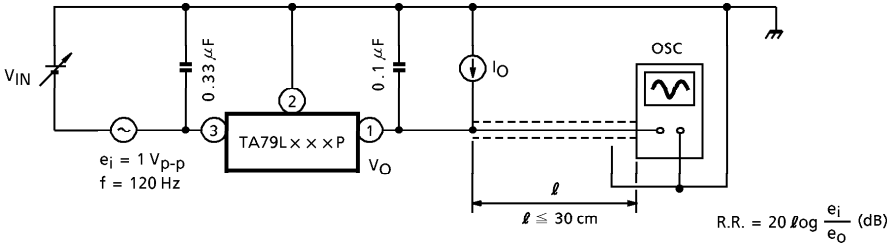
1. V_{OUT} , Reg.line, Reg.load, I_B , ΔI_B , $\Delta V_{OUT} / \Delta t$, V_D , T_{CVO}

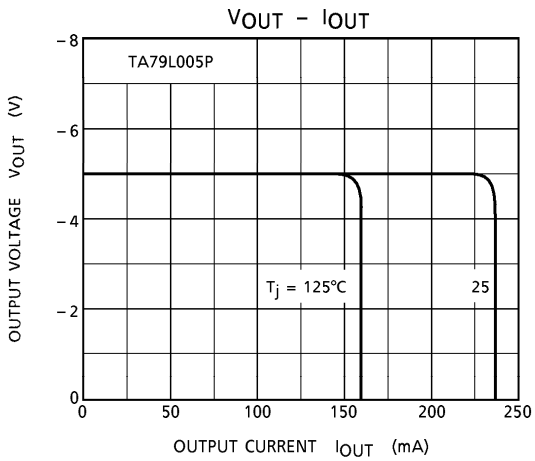
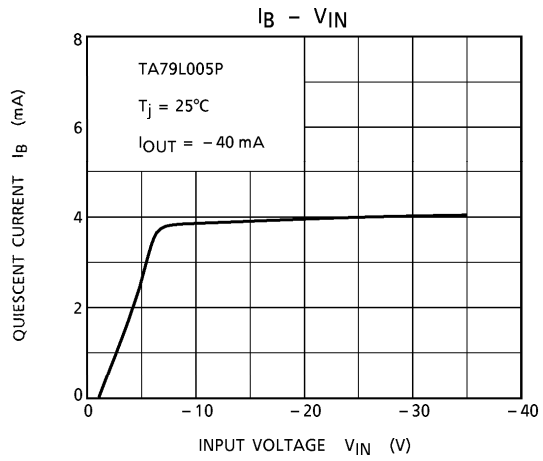
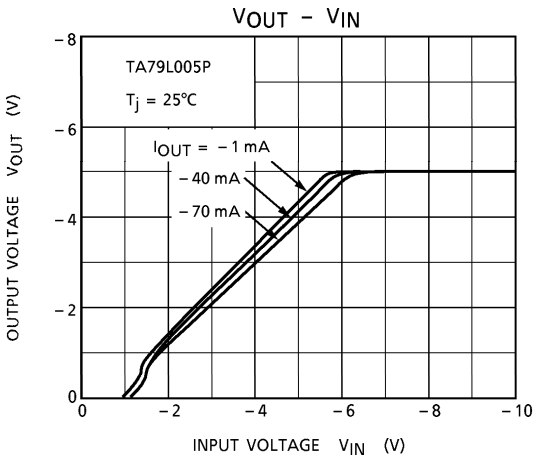
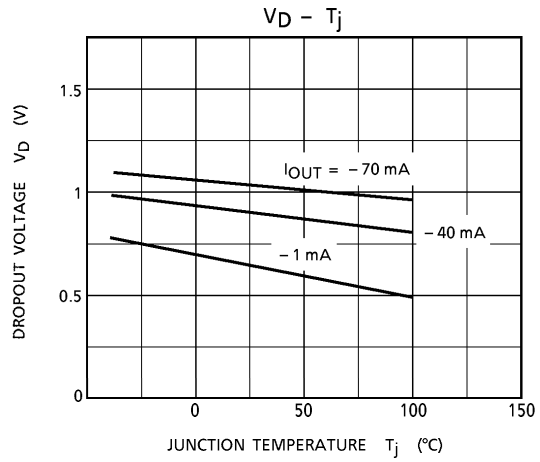
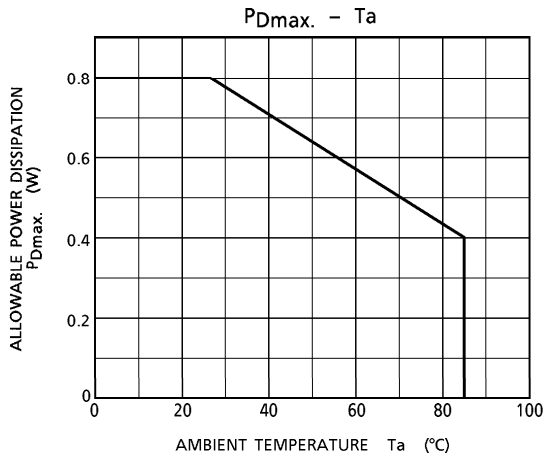


2. V_{NO}



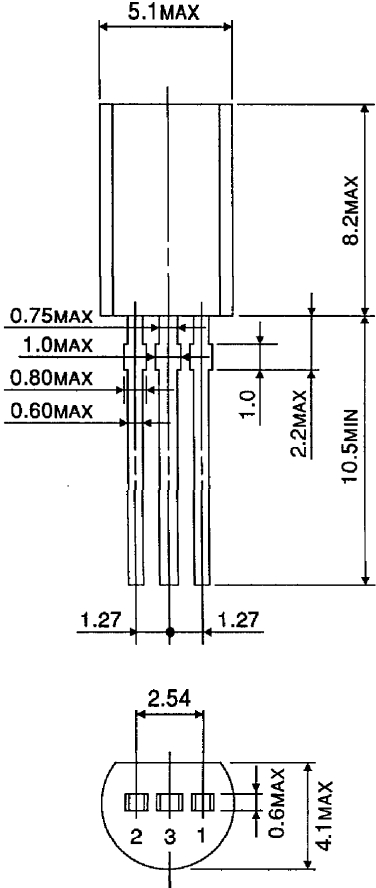
3. R.R.





PACKAGE DIMENSIONS
P-SSIP3-1.27

Unit : mm



Weight : 0.36 g (Typ.)