

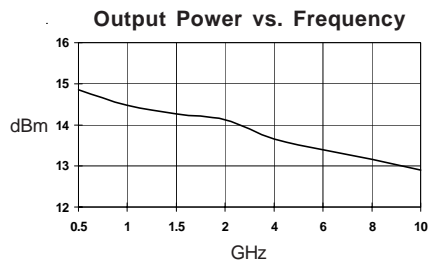


## Product Description

Sirenza Microdevices' SNA-276 is a GaAs monolithic broadband amplifier (MMIC) housed in a low-cost surface mountable stripline package. At 1950 MHz, this amplifier provides 16dB of gain when biased at 50mA.

External DC decoupling capacitors determine low frequency response. The use of an external resistor allows for bias flexibility and stability.

These unconditionally stable amplifiers are designed for use as general purpose 50 ohm gain blocks. Also available in chip form (SNA-200), its small size (0.33mm x 0.33mm) and gold metallization, make it an ideal choice for use in hybrid circuits.



## SNA-276

### DC-6.5 GHz, Cascadable GaAs MMIC Amplifier



# OBSOLETE

See Obsolescence Notice for Replacements

### Product Features

- Cascadable 50 Ohm Gain Block
- 16dB Gain, +14dBm P1dB
- 1.5:1 Input and Output VSWR
- Operates From Single Supply
- Low Cost Stripline Mount Ceramic Package
- Hermetically Sealed



### Applications

- PA Driver Amplifier
- Cellular, PCS, GSM, UMTS
- IF Amplifier

Symbol	Parameter	Units	Frequency	Min.	Typ.	Max.
$G_P$	Small Signal Power Gain	dB	850 MHz	15.0	16.0	17.6
		dB	1950 MHz			
		dB	2400 MHz			
$G_F$	Gain Flatness	dB	0.1-6 GHz		+/- 1.0	
BW3dB	3dB Bandwidth	GHz			6.5	
$P_{1dB}$	Output Power at 1dB Compression	dBm	1950 MHz		14.0	
$OIP_3$	Output Third Order Intercept Point	dBm	1950 MHz		28.0	
NF	Noise Figure	dB	1950 MHz		5.5	
VSWR	Input / Output	-	0.1-6 GHz		1.5:1	
ISOL	Reverse Isolation	dB	0.1-6 GHz		20	
$V_D$	Device Operating Voltage	V		3.3	3.8	4.3
$I_D$	Device Operating Current	mA		45	50	55
dG/dT	Device Gain Temperature Coefficient	dB/°C			-0.0018	
$R_{TH}$ , j-l	Thermal Resistance (junction to lead)	°C/W			410	

**Test Conditions:**  $V_S = 8\text{ V}$   $I_D = 50\text{ mA Typ.}$   $OIP_3$  Tone Spacing = 1 MHz,  $P_{out}$  per tone = 0 dBm  
 $R_{BIAS} = 82\text{ Ohms}$   $T_L = 25^\circ\text{C}$   $Z_S = Z_L = 50\text{ Ohms}$

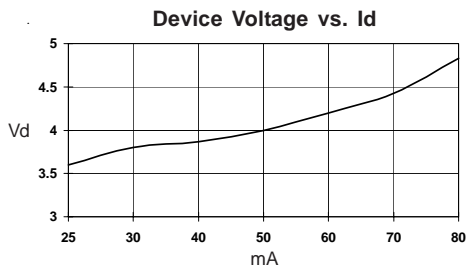
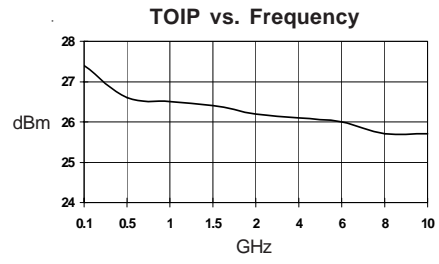
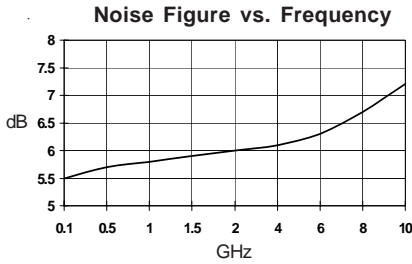
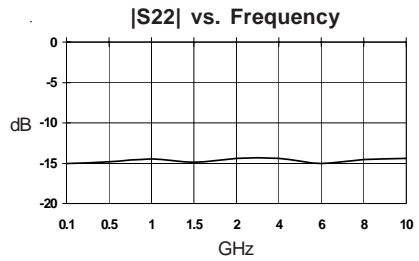
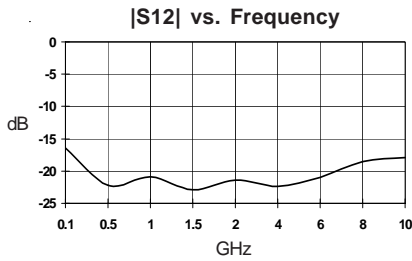
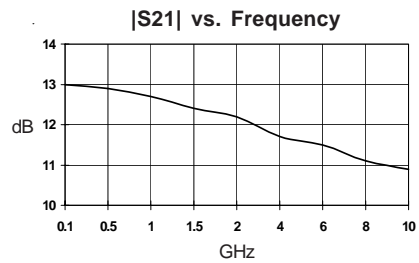
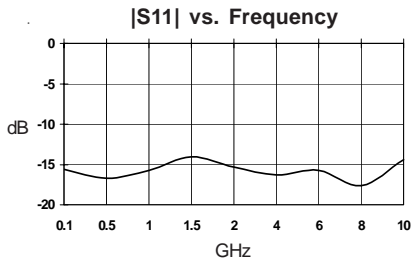
The information provided herein is believed to be reliable at press time. Sirenza Microdevices assumes no responsibility for inaccuracies or omissions. Sirenza Microdevices assumes no responsibility for the use of this information, and all such information shall be entirely at the user's own risk. Prices and specifications are subject to change without notice. No patent rights or licenses to any of the circuits described herein are implied or granted to any third party. Sirenza Microdevices does not authorize or warrant any Sirenza Microdevices product for use in life-support devices and/or systems. Copyright 2007 Sirenza Microdevices, Inc.. All worldwide rights reserved.

303 S. Technology Ct., Broomfield, CO 80021

Phone: (800) SMI-MMIC

<http://www.sirenza.com>

**Typical Performance at 25° C (V<sub>ds</sub> = 3.8V, I<sub>ds</sub> = 50mA)**



**Absolute Maximum Ratings**

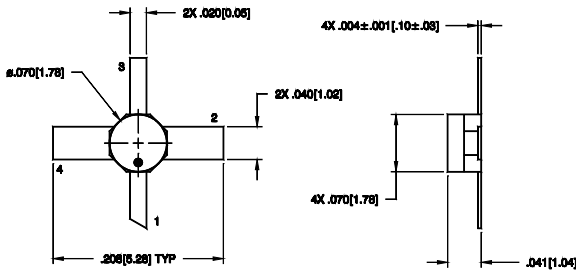
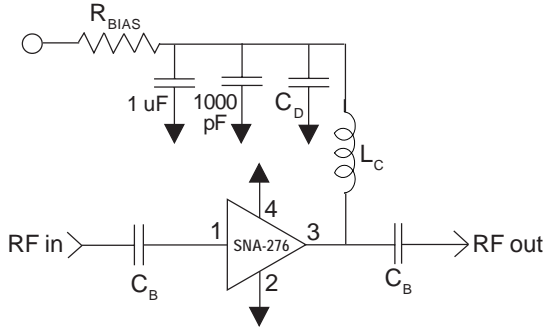
Parameter	Absolute Limit
Max. Device Current (I <sub>D</sub> )	75 mA
Max. Device Voltage (V <sub>D</sub> )	6 V
Max. RF Input Power	+10 dBm
Max. Junction Temp. (T <sub>J</sub> )	+150°C
Operating Temp. Range (T <sub>L</sub> )	-40°C to +85°C
Max. Storage Temp.	+150°C

Operation of this device beyond any one of these limits may cause permanent damage. For reliable continuous operation, the device voltage and current must not exceed the maximum operating values specified in the table on page one.

Bias Conditions should also satisfy the following expression:

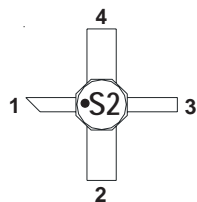
$$I_D V_D < (T_J - T_L) / R_{\theta J \theta L} \text{ j}^{-1}$$

**Typical Application Circuit**



**Part Identification Marking**

The part will be marked with an "S2" designator on the top surface of the package.



**Caution: ESD sensitive**  
 Appropriate precautions in handling, packaging and testing devices must be observed.

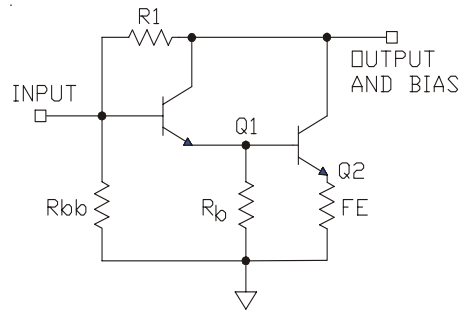
**Application Circuit Element Values**

Reference Designator	Frequency (Mhz)				
	500	850	1950	2400	3500
C <sub>B</sub>	220 pF	100 pF	68 pF	56 pF	39 pF
C <sub>D</sub>	100 pF	68 pF	22 pF	22 pF	15 pF
L <sub>C</sub>	68 nH	33 nH	22 nH	18 nH	15 nH

**Recommended Bias Resistor Values for I<sub>D</sub>=50mA**

Supply Voltage (V <sub>S</sub> )	6 V	8 V	10 V	12 V
R <sub>BIAS</sub>	43 Ω	82 Ω	120 Ω	160 Ω

Note: R<sub>BIAS</sub> provides DC bias stability over temperature.



**Simplified Schematic of MMIC**

Pin #	Function	Description
1	RF IN	RF input pin. This pin requires the use of an external DC blocking capacitor chosen for the frequency of operation.
2, 4	GND	Connection to ground. For optimum RF performance, use via holes as close to ground leads as possible to reduce lead inductance.
3	RF OUT/BIAS	RF output and bias pin. DC voltage is present on this pin, therefore a DC blocking capacitor is necessary for proper operation.

**Part Number Ordering Information**

Part Number	Reel Size	Devices/Reel
SNA-276-TR1	7"	1000
SNA-276-TR2	13"	3000
SNA-276-TR3	13"	5000