

Motorola Semiconductor Technical Data

Addendum to MC68HC908JL3 Technical Data

This addendum provides additional information to:

MC68HC908JL3 Technical Data (Motorola document number MC68HC908JL3/H Rev. 1.0)

The following provides information on the 48-pin LQFP package for the MC68HC908JL3 and MC68HRC908JL3 devices.

48-Pin LQFP Pin Assignment

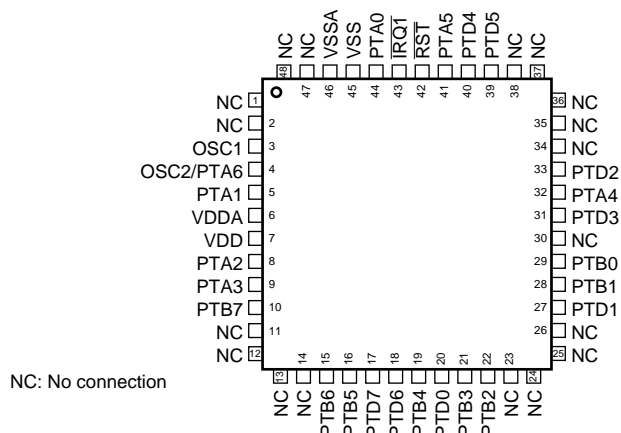


Figure 1. 48-Pin Pin Assignment

Analog Power Supply and Ground Pins (V_{DDA} and V_{SSA})

V_{DDA} is the power supply pin for the analog circuits of the MCU. It should be decoupled as per the V_{DD} digital supply pin.

V_{SSA} is the power supply ground pin for the analog circuits of the MCU. It should be decoupled as per the V_{SS} digital ground pin.

Order Numbers

MC order number	Oscillator type	FLASH memory	Package
MC68HC908JL3CFA	Crystal oscillator	4096 Bytes	48-pin package
MC68HRC908JL3CFA	RC oscillator		

Notes:
C = -40 °C to +85 °C
FA = Plastic Low Quad Flat Pack (LQFP)

Mechanical Specification

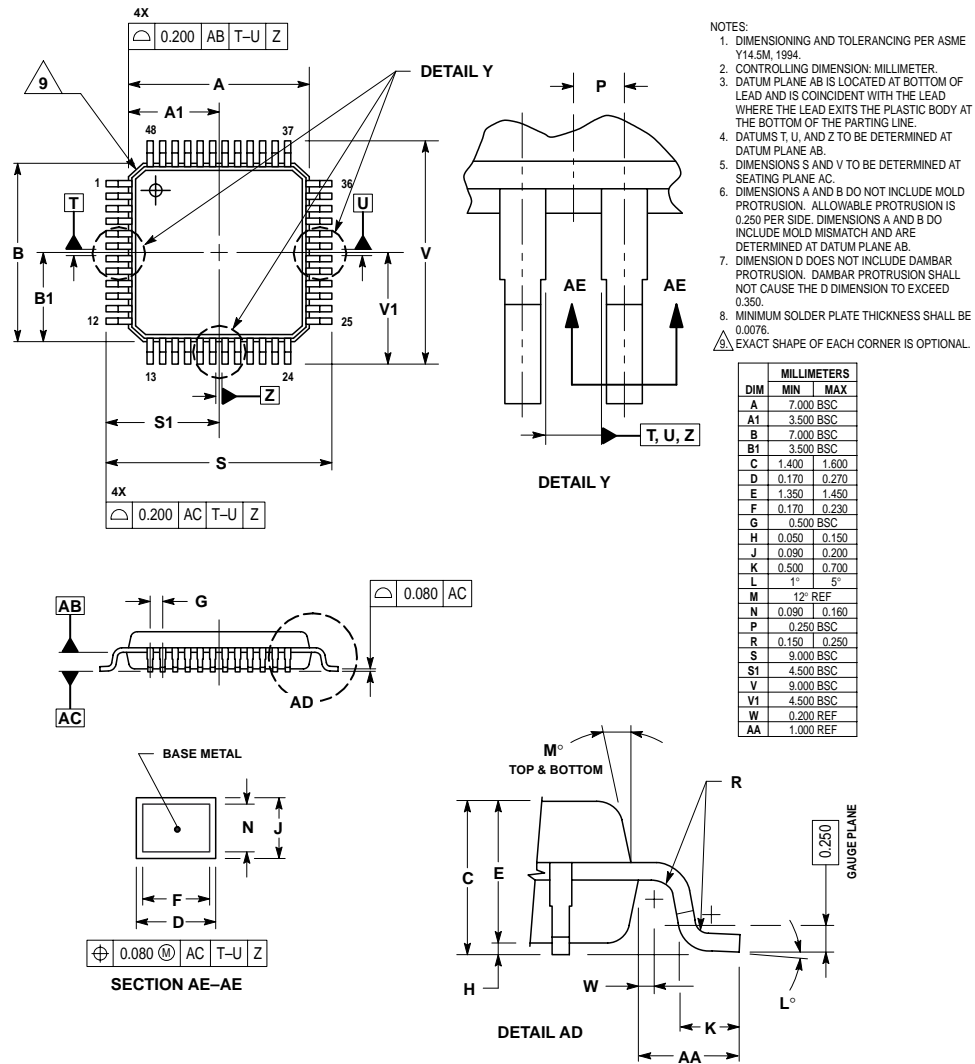


Figure 2. 48-Pin Plastic Low Quad Flat Pack (LQFP) (Case No. 932-02)

Motorola reserves the right to make changes without further notice to any products herein. Motorola makes no warranty, representation or guarantee regarding the suitability of its products for any particular purpose, nor does Motorola assume any liability arising out of the application or use of any product or circuit, and specifically disclaims any and all liability, including without limitation consequential or incidental damages. "Typical" parameters which may be provided in Motorola data sheets and/or specifications can and do vary in different applications and actual performance may vary over time. All operating parameters, including "Typicals" must be validated for each customer application by customer's technical experts. Motorola does not convey any license under its patent rights nor the rights of others. Motorola products are not designed, intended, or authorized for use as components in systems intended for surgical implant into the body, or other applications intended to support or sustain life, or for any other application in which the failure of the Motorola product could create a situation where personal injury or death may occur. Should Buyer purchase or use Motorola products for any such unintended or unauthorized application, Buyer shall indemnify and hold Motorola and its officers, employees, subsidiaries, affiliates, and distributors harmless against all claims, costs, damages, and expenses, and reasonable attorney fees arising out of, directly or indirectly, any claim of personal injury or death associated with such unintended or unauthorized use, even if such claim alleges that Motorola was negligent regarding the design or manufacture of the part. Motorola and $\text{\textcircled{M}}$ are registered trademarks of Motorola, Inc. Motorola, Inc. is an Equal Opportunity/Affirmative Action Employer.

How to reach us:

USA/EUROPE/Locations Not Listed: Motorola Literature Distribution; P.O. Box 5405, Denver, Colorado 80217. 1-303-675-2140 or 1-800-441-2447

JAPAN: Motorola Japan Ltd.; SPS, Technical Information Center, 3-20-1, Minami-Azabu, Minato-ku, Tokyo 106-8573 Japan. 81-3-3440-3569

ASIA/PACIFIC: Motorola Semiconductors H.K. Ltd.; Silicon Harbour Center, 2 Dai King Street, Tai Po Industrial Estate, Tai Po, N.T., Hong Kong. 852-26668334

Technical Information Center: 1-800-521-6274

HOME PAGE: <http://www.motorola.com/semiconductors/>