

## OVERVIEW

The SM9103M is a photodiode photoelectric current-to-voltage conversion head amplifier LSI for optical disk pickups in DVDRAM/DVDROM equipment. It sums the photodiode current data signals and then converts the signals to a differential signal for output. The output tracking servo and focusing servo signals are derived from built-in sum and difference circuits, and the gain for these servo signals can be adjusted using serial interface controls. Each of the signals from the photodiodes, used to generate DPD (Differential Phase Detection) tracking servo signal, is current-to-voltage converted and then also output. It operates from a single 5 V supply, and is available in 36-pin plastic SSOP packages.

## FEATURES

- RAM/ROM gain switching, low-noise RF signal generator (differential output)
- ROM tracking DPD signal output
- Variable-gain RAM tracking push-pull signal output
- Address signal, high-speed push-pull signal output
- Variable-gain focus error signal output
- Tracking PD sum signal output
- Focus PD sum signal output
- Offset correction timing output (logic)
- Temperature monitor function
- Serial interface to control internal parameter settings
- Sleep-mode function
- Single 5 V supply
- 36-pin plastic SSOP

## TYPICAL APPLICATIONS

- Double-speed DVDROM equipment
- Double-speed DVDRAM equipment

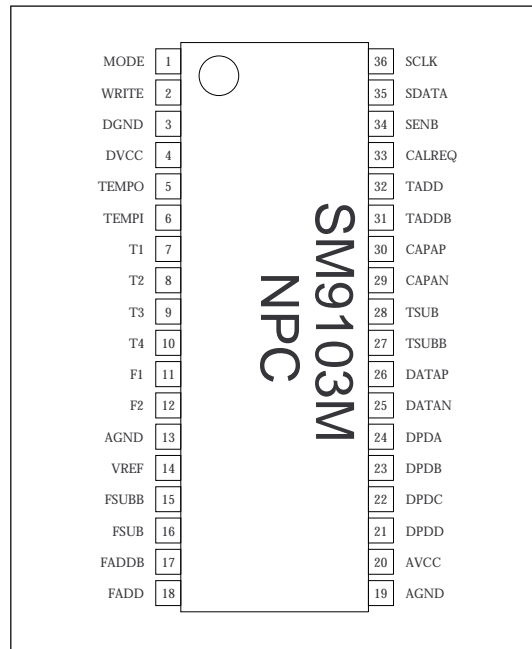
## ORDERING INFORMATION

Device	Package
SM9103M	36-pin SSOP

## PINOUT

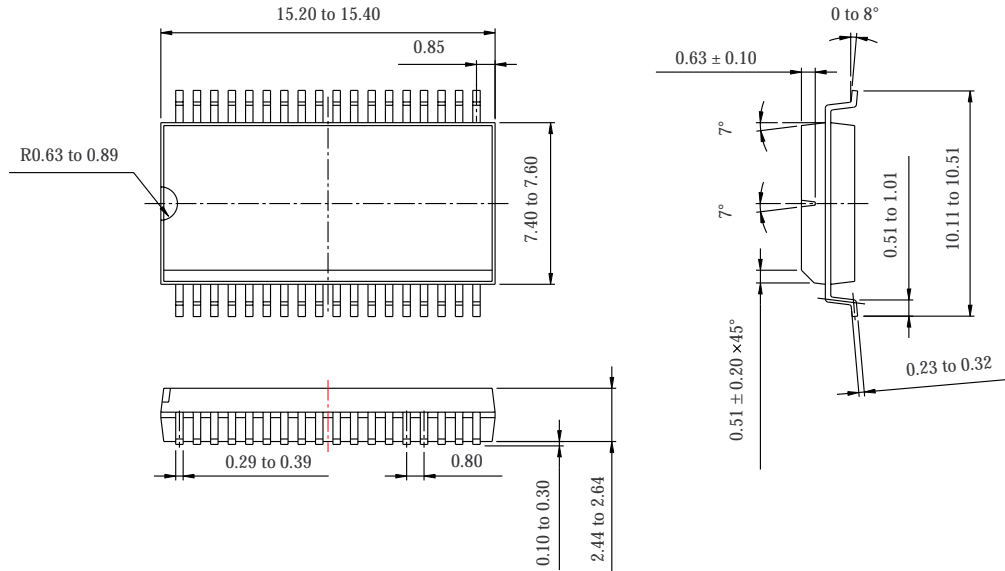
### 36-pin SSOP

(Top view)

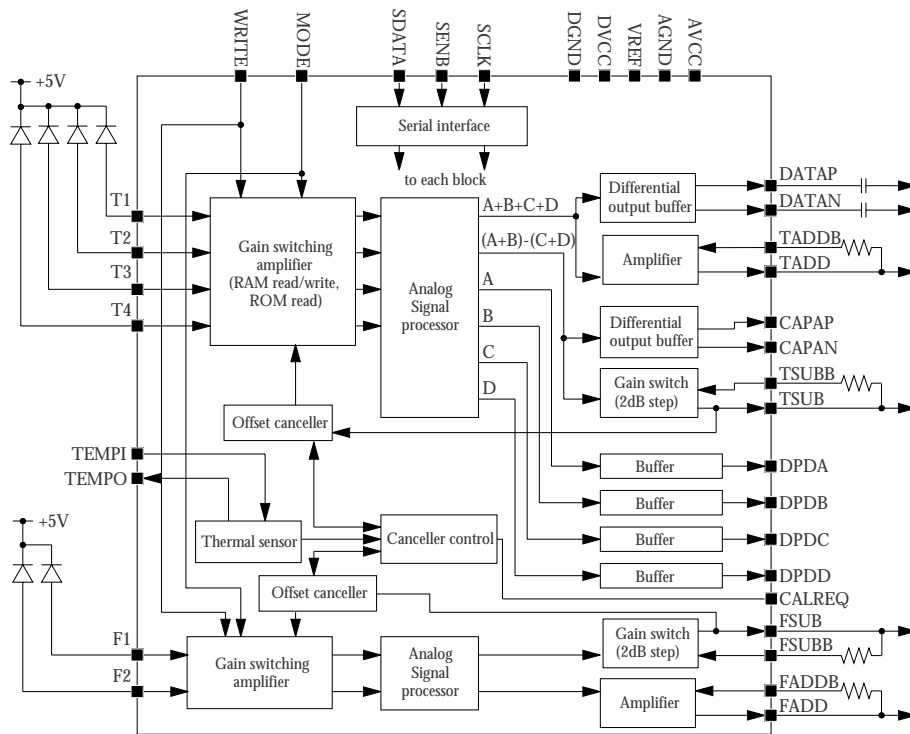


**PACKAGE DIMENSIONS**

(Unit: mm)



**BLOCK DIAGRAM**



## PIN DESCRIPTION

Number	Name	I/O <sup>1</sup>	Function
1	MODE	lpd	Mode switching/offset correction control input 1
2	WRITE	lpd	Mode switching/offset correction control input 2
3	DGND	–	Logic circuit ground. Connect to the analog ground if there is no dedicated pickup or logic ground.
4	DVCC	–	Logic circuit supply. Connect to the analog supply if there is no dedicated pickup or logic supply.
5	TEMPO	O	Thermal sensor test output. Leave open for normal operation
6	TEMPI	I	Thermal sensor test input. Leave open for normal operation
7	T1	I	Tracking PD input A
8	T2	I	Tracking PD input B
9	T3	I	Tracking PD input C
10	T4	I	Tracking PD input D
11	F1	I	Focus PD input E
12	F2	I	Focus PD input F
13	AGND	–	Analog circuit ground
14	VREF	I	2.0 V reference voltage input
15	FSUBB	I	Focus error signal feedback input
16	FSUB	O	Focus error signal output
17	FADDB	I	Focus sum signal feedback input
18	FADD	O	Focus sum signal output
19	AGND	–	Analog circuit ground
20	AVCC	–	Analog circuit supply
21	DPDD	O	Buffered tracking signal output D for DPD servo
22	DPDC	O	Buffered tracking signal output C for DPD servo
23	DPDB	O	Buffered tracking signal output B for DPD servo
24	DPDA	O	Buffered tracking signal output A for DPD servo
25	DATAN	O	Phase-modulated data signal differential inverting output
26	DATA P	O	Phase-modulated data signal differential non-inverting output
27	TSUBB	I	Tracking push-pull signal feedback input
28	TSUB	O	Tracking push-pull signal output
29	CAPAN	O	ID data signal differential inverting output
30	CAPAP	O	ID data signal differential non-inverting output
31	TADDB	I	Tracking PD sum signal feedback input
32	TADD	O	Tracking PD sum signal output
33	CALREQ	O	Offset correction status/request output
34	SENB	I	Serial interface enable input
35	SDATA	I/O	Serial interface data input/acknowledge output
36	SCLK	I	Serial interface clock input

1. I = input, lpd = Input with built-in pull-down resistor, I/O = input/output, O = output

## SPECIFICATIONS

### Absolute Maximum Ratings

GND = 0 V

Parameter	Symbol	Condition	Rating	Unit
Supply voltage range	$V_{CC}$		-0.5 to 7.0	V
Input voltage range	$V_{IN}$		-0.5 to $V_{CC} + 0.5$	V
Input current range	$I_{IN}$		-3.0 to +3.0	mA
Operating temperature range	$T_{opr}$		0 to 70	°C
Storage temperature range	$T_{stg}$		-40 to 125	°C
Power dissipation	$P_D$		250	mW
Soldering temperature	$T_{sld}$		260	°C
Soldering time	$t_{sld}$		10	s

### Recommended Operating Conditions

GND = 0 V

Parameter	Symbol	Condition	Rating	Unit
Specs-guaranteed supply voltage range	$V_{CC}$		4.75 to 5.25	V
Operating supply voltage range	$V_{CC}$		4.5 to 5.5	V
Reference voltage input	$V_{REF}$		1.89 to 2.11	V
Operating temperature range	$T_{opr}$		0 to 70	°C

## DC Electrical Characteristics

$V_{CC} = 5\text{ V} \pm 5\%$ ,  $GND = 0\text{ V}$ ,  $T_a = 0\text{ to }70\text{ }^\circ\text{C}$

Parameter	Symbol	Condition	Rating			Unit
			min	typ	max	
Current consumption <sup>1</sup>	$I_{CC1}$	Operating mode	–	24	30	mA
	$I_{CC2}$	Sleep mode	–	–	1	
MODE, WRITE, SENB, SDATA, SCLK HIGH-level input voltage	$V_{IH}$		$0.8V_{CC}$	–	–	V
MODE, WRITE, SENB, SDATA, SCLK LOW-level input voltage	$V_{IL}$		–	–	$0.2V_{CC}$	V
MODE, WRITE HIGH-level input current	$I_{IH1}$	$V_{IN} = V_{CC}$	50	100	200	$\mu\text{A}$
SENB, SDATA, SCLK HIGH-level input current	$I_{IH2}$	$V_{IN} = V_{CC}$	–	–	3	$\mu\text{A}$
MODE, WRITE, SENB, SDATA, SCLK LOW-level input current	$I_{IL}$	$V_{IN} = 0\text{ V}$	–3	–	–	$\mu\text{A}$
CALREQ HIGH-level output voltage	$V_{OH}$	$I_{OH} = -0.2\text{ mA}$	$V_{CC} - 0.2$	–	–	V
CALREQ LOW-level output voltage	$V_{OL1}$	$I_{OL} = 0.8\text{ mA}$	–	–	0.4	V
SDATA LOW-level output voltage	$V_{OL2}$	$I_{OL} = 7\text{ mA}$	–	–	1.0	V
VREF input current	$I_{REF}$	$V_{REF} = 2.0\text{ V}$	–	–	250	$\mu\text{A}$

1. 18 k $\Omega$  resistor connected between TSUB and TSUBB  
 47 k $\Omega$  resistor connected between TADD and TADDB  
 22 k $\Omega$  resistor connected between FSUB and FSUBB  
 27 k $\Omega$  resistor connected between FADD and FADDB  
 SENB, SDATA, SCLK connected to GND; All other pins (excluding supply and ground pins) open circuit.

## Tracking PD Input Characteristics (T1, T2, T3, T4)

$V_{CC} = 5\text{ V} \pm 5\%$ ,  $GND = 0\text{ V}$ ,  $T_a = 0\text{ to }70\text{ }^\circ\text{C}$

Parameter	Condition	Rating			Unit	
		min	typ	max		
Input impedance	No signal	–	–	250	$\Omega$	
Input conversion noise current	100 kHz to 10 MHz	RAM read <sup>1</sup>	–	0.035	–	$\mu\text{A}_{\text{rms}}$
		ROM read <sup>1</sup>	–	0.27	–	
Pin voltage	No signal	–	–	1.5	V	

1. DATAP – DATAN output difference operation when 10 pF capacitors are connected to T1, T2, T3, T4

## Data Signal Processor Characteristics

$V_{CC} = 5\text{ V} \pm 5\%$ ,  $GND = 0\text{ V}$ ,  $T_a = 0\text{ to }70\text{ }^\circ\text{C}$

Parameter	Condition	Rating			Unit
		min	typ	max	
DATAP–DATAN current-to-voltage converter coefficient <sup>1</sup>	RAM read	10.0	12.5	15.0	k $\Omega$
	ROM read	2.50	3.12	3.74	
CAPAP–CAPAN current-to-voltage converter coefficient <sup>2</sup>	RAM read	11.3	14.1	16.9	k $\Omega$
DATAP, DATAN, CAPAP, CAPAN output impedance		–	–	100	$\Omega$
DATAP, DATAN, CAPAP, CAPAN output center voltage <sup>3</sup>	No signal	$0.9V_{REF}$	–	$1.1V_{REF}$	V
CAPAP, CAPAN output center voltage difference <sup>3</sup>	No signal	–	–	$\pm 50$	mV
DATAP, DATAN, CAPAP, CAPAN output operating output voltage	10 k $\Omega$ load, output center voltage reference	–0.7	–	+0.7	V
Variable coefficient switching time	RAM $\leftrightarrow$ ROM read	–	–	10	ms
Saturation output reset time <sup>4</sup>	RAM write $\rightarrow$ RAM read	–	–	500	ns
DATAP, DATAN signal bandwidth <sup>5</sup>	f = 100 kHz –3 dB frequency	19	–	–	MHz
CAPAP, CAPAN signal bandwidth <sup>5</sup>	f = 100 kHz –3 dB frequency	20	–	–	MHz
DATAP–DATAN, CAPAP–CAPAN gain peaking <sup>5</sup>	f = 100 kHz –3 dB frequency	–3	–	+0.5	dB
DATAP–DATAN, CAPAP–CAPAN group delay time <sup>5</sup>	f = 1 to 10 MHz	–	–	$\pm 1.0$	ns

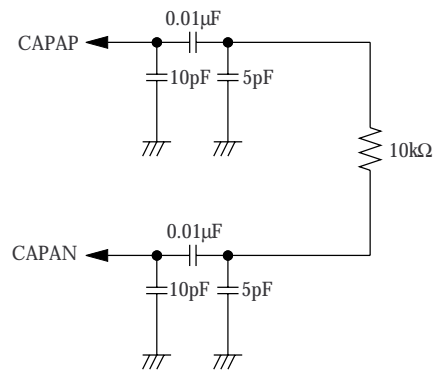
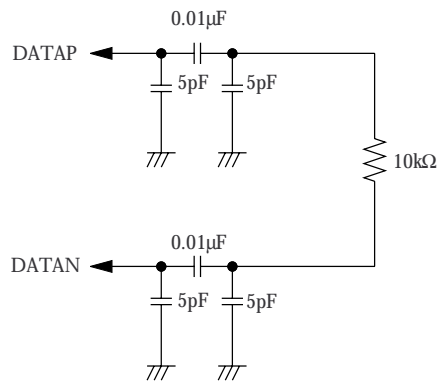
1.  $[DATAP - DATAN] = K \times [I_{T1} + I_{T2} + I_{T3} + I_{T4}]$

2.  $[CAPAP - CAPAN] = K \times [(I_{T1} + I_{T2}) - (I_{T3} + I_{T4})]$

3. 5 k $\Omega$  load connected to ground to prevent abnormal operation

4. Converging to within final value  $\pm 10\%$

5. 10 pF input load capacitors connected to T1, T2, T3, T4. DATAP, DATAN, CAPAP, CAPAN output load conditions shown below.



## Tracking Signal Processor Characteristics

 $V_{CC} = 5\text{ V} \pm 5\%$ ,  $GND = 0\text{ V}$ ,  $T_a = 0\text{ to }70\text{ }^\circ\text{C}$ 

Parameter	Condition		Rating			Unit
			min	typ	max	
TSUB current-to-voltage converter coefficient <sup>1</sup>	RAM read	$R_f = 18\text{ k}\Omega$ , $V_{OUT} = V_{REF} \pm 0.8\text{ V}$	10.64	11.95	13.26	k $\Omega$
	ROM read		2.67	2.99	9.92	
	RAM write		1.78	1.99	2.20	
TADD current-to-voltage converter coefficient <sup>2</sup>	RAM read	$R_f = 47\text{ k}\Omega$	27.82	31.25	34.68	k $\Omega$
	ROM read		6.95	7.80	8.65	
	RAM write		4.63	5.20	5.77	
DPDA, DPDB, DPDC, DPDD current-to-voltage converter coefficient <sup>3</sup>	RAM read		40.0	50.0	60.0	k $\Omega$
	ROM read		10.0	12.5	15.0	
T1, T2, T3, T4 converter coefficient relative error	TSUB output, RAM/ROM read		-	-	$\pm 2$	%
TSUB, TADD, DPDA, DPDB, DPDC, DPDD output impedance			-	-	100	$\Omega$
TSUB operating output voltage	10 k $\Omega$ load connected to VREF		1	-	3	V
TADD, DPDA, DPDB, DPDC, DPDD operating output voltage	10 k $\Omega$ load connected to VREF		$V_{REF}$	-	3	V
Converter coefficient switching time	RAM read $\leftrightarrow$ ROM read		-	-	10	ms
	RAM write $\leftrightarrow$ RAM read		-	-	3	$\mu\text{s}$
TSUB, TADD signal bandwidth <sup>4</sup>	DC to -3 dB frequency		1	-	-	MHz
DPDA, DPDB, DPDC, DPDD signal bandwidth <sup>4</sup>	$f = 100\text{ kHz}$ to -3 dB frequency		5	-	-	MHz
TSUB, TADD gain peaking <sup>4</sup>	$f = 10\text{ kHz}$ to -3 dB frequency		-3	-	+0.5	dB
DPDA, DPDB, DPDC, DPDD gain peaking <sup>4</sup>	$f = 100\text{ kHz}$ to -3 dB frequency		-3	-	+4.0	dB
TSUB phase response <sup>4</sup>	@ $f = 100\text{ kHz}$		-	-	10	$^\circ$
DPDA, DPDB, DPDC, DPDD group delay <sup>4</sup>	$f = 1$ to 5 MHz group delay differential absolute value		-	-	5	ns
	Relative error between 4 pins		-	-	1.0	
TSUB offset voltage	No input signal, $V_{REF}$ reference, post-correction, $T_a = 25\text{ }^\circ\text{C}$ , $R_f = 18\text{ k}\Omega$	RAM read/write max gain	-	-	$\pm 10.0$	mV
		RAM read, min to max gain	-	-	$\pm 26$	
		RAM read/write differential gain max.	-	-	$\pm 4$	
		ROM read, gain min/max	-	-	$\pm 100$	
TADD offset voltage	No input signal, $V_{REF}$ reference	RAM read	-	-	$\pm 30$	mV
		ROM read	-	-	$\pm 300$	
DPDA, DPDB, DPDC, DPDD offset voltage	No input signal, $V_{REF}$ reference	RAM/ROM read	-550	-	+50	mV
TSUB offset voltage temperature coefficient	$R_f = 18\text{ k}\Omega$		-	-	$\pm 0.4$	mV/ $^\circ\text{C}$
TSUB variable gain range			-16	-	+14	dB
TSUB variable gain step width			-	2	-	dB

SM9103M

Parameter	Condition	Rating			Unit	
		min	typ	max		
TSUB gain switching absolute accuracy	$V_{OUT} = V_{REF} \pm 0.8V$	-16 to +8 dB	-	-	$\pm 0.5$	dB
		+10 to +14 dB	-	-	$\pm 1.0$	

1.  $TSUB = K \times \{[I_{T1} + I_{T2}] - [I_{T3} + I_{T4}]\}$ , gain = 0 dB
2.  $TADD = K \times [I_{T1} + I_{T2} + I_{T3} + I_{T4}]$
3.  $DPDA = K \times I_{T1}$ ,  $DPDB = K \times I_{T2}$ ,  $DPDC = K \times I_{T3}$ ,  $DPDD = K \times I_{T4}$
4.  $T1, T2, T3, T4$ : 10 pF input load capacitance  
 $TSUB, TADD, DPDA, DPDB, DPDC, DPDD$ : 10 pF output load capacitance  
 $TSUB, TADD$ : 10 kΩ load resistance  
 $DPDA, DPDB, DPDC, DPDD$ : 100 kΩ load resistance

**Focus PD Input Characteristics (F1, F2)**

$V_{CC} = 5V \pm 5\%$ ,  $GND = 0V$ ,  $T_a = 0$  to  $70^\circ C$

Parameter	Condition	Rating			Unit	
		min	typ	max		
Input impedance	No signal	-	-	250	Ω	
Input conversion noise current	DC to 10 kHz	RAM read <sup>1</sup>	-	-	24	nA <sub>rms</sub>
		ROM read <sup>1</sup>	-	-	96	
		RAM write <sup>1</sup>	-	-	150	
Pin voltage	No signal, $V_{REF}$ reference	-	-	$\pm 50$	mV	

1. Conversion from FSUB output noise value when 14 pF capacitors connected to F1 and F2

**Focus Signal Processor Characteristics**

$V_{CC} = 5V \pm 5\%$ ,  $GND = 0V$ ,  $T_a = 0$  to  $70^\circ C$

Parameter	Condition	Rating			Unit	
		min	typ	max		
FSUB current-to-voltage converter coefficient <sup>1</sup>	RAM read	$R_f = 22 k\Omega$ , $V_{OUT} = V_{REF} \pm 0.35V$	370	415	460	kΩ
	ROM read		94	105	116	
	RAM write		58	65	72	
FADD current-to-voltage converter coefficient <sup>2</sup>	RAM read	$R_f = 27 k\Omega$	223	250	277	kΩ
	ROM read		56.1	63	69.9	
	RAM write		35.6	40	44.1	
F1, F2 converter coefficient relative error	FSUB output, RAM/ROM read	-	-	$\pm 2$	%	
FSUB, FADD output impedance		-	-	100	Ω	
FSUB operating output voltage	10 kΩ load connected to $V_{REF}$	1	-	3	V	
FADD operating output voltage	10 kΩ load connected to $V_{REF}$	$V_{REF}$	-	3	V	
Converter coefficient switching time	RAM read ↔ ROM read	-	-	10	ms	
	RAM write ↔ RAM read	-	-	3	μs	
FSUB, FADD signal bandwidth <sup>3</sup>	DC to -3 dB frequency	200	-	-	kHz	
FSUB, FADD gain peaking <sup>3</sup>	$f = 10$ kHz to -3 dB frequency	-3	-	+0.5	dB	
FSUB, FADD phase response <sup>3</sup>	@ $f = 10$ kHz	-	-	5	°	



## SM9103M

Parameter	Condition		Rating			Unit
			min	typ	max	
FSUB offset voltage	No input signal, $V_{REF}$ reference, post-correction, $T_a = 25^\circ\text{C}$	RAM read/write, ROM read max gain	-	-	$\pm 7.0$	mV
		RAM read, min to max gain	-	-	$\pm 21$	
		RAM read/write differential gain max.	-	-	$\pm 4$	
FADD offset voltage	No input signal, $V_{REF}$ reference		-	-	$\pm 50$	mV
FSUB offset voltage temperature coefficient			-	-	$\pm 0.22$	mV/°C
FSUB variable gain range			-16	-	+14	dB
FSUB variable gain step width			-	2	-	dB
FSUB gain switching absolute accuracy	$V_{OUT} = V_{REF} \pm 0.35\text{ V}$	-16 to +8 dB	-	-	$\pm 0.5$	dB
		+10 to +14 dB	-	-	$\pm 1.0$	

1.  $FSUB = K \times [I_{F1} - I_{F2}]$ , gain = 0 dB
2.  $FADD = K \times [I_{F1} + I_{F2}]$
3.  $F1, F2$ : 14 pF input load capacitance  
 FSUB, FADD: 10 pF output load capacitance, 10 k $\Omega$  load resistance

### Mode Control Logic

Control input		Operating mode	Offset correction
WRITE	MODE		
LOW or open	LOW or open	RAM read	Active
LOW or open	HIGH	ROM read	
HIGH	LOW or open	RAM write	
HIGH	HIGH		Inactive

### Offset Correction Characteristics

$V_{CC} = 5\text{ V} \pm 5\%$ ,  $GND = 0\text{ V}$ ,  $T_a = 0\text{ to }70^\circ\text{C}$

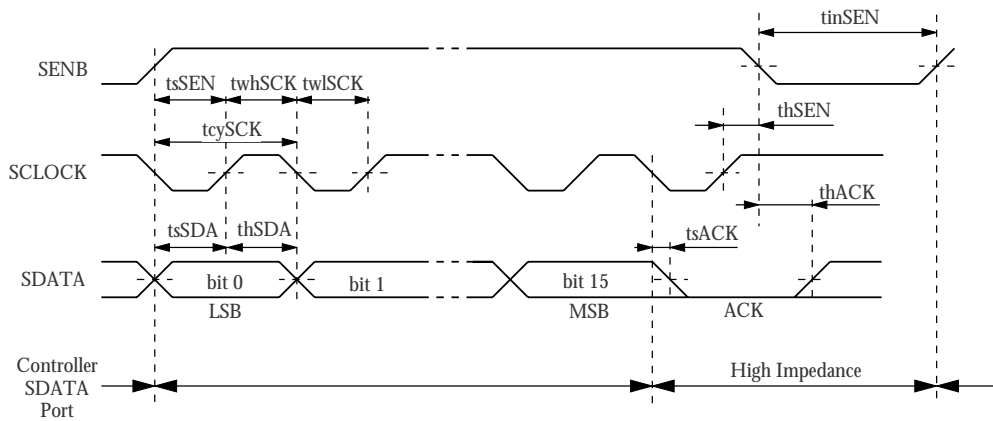
Parameter	Symbol	Condition	Rating			Unit
			min	typ	max	
TSUB offset residual		$V_{REF}$ reference, $T_a = 25^\circ\text{C}$	-	-	$\pm 8.5$	mV
FSUB offset residual		$V_{REF}$ reference, $T_a = 25^\circ\text{C}$	-	-	$\pm 5.5$	mV
Supply voltage droop detect level	$V_1$		1.9	2.8	3.7	V
Correction circuit startup supply voltage	$V_2$		3.2	3.8	4.4	V
$V_1$ and $V_2$ difference	$V_2 - V_1$		0.7	1.0	1.3	V
Correction thermal sensor detect temperature			15	20	25	°C
Offset correction time			-	-	150	ms

## Serial Interface Characteristics

$V_{CC} = 5\text{ V} \pm 5\%$ ,  $GND = 0\text{ V}$ ,  $T_a = 0\text{ to }70\text{ }^\circ\text{C}$

Parameter	Symbol	Condition	Rating			Unit
			min	typ	max	
SCLK pulse cycle	$t_{cySCK}$		100	-	-	ns
SCLK HIGH-level pulsewidth	$t_{whSCK}$		40	-	-	ns
SCLK LOW-level pulsewidth	$t_{wlSCK}$		40	-	-	ns
SENB setup time	$t_{sSEN}$		20	-	-	ns
SENB hold time	$t_{hSEN}$		40	-	-	ns
SDATA setup time	$t_{sSDA}$		15	-	-	ns
SDATA hold time	$t_{hSDA}$		15	-	-	ns
ACK setup time <sup>1</sup>	$t_{sACK}$		0	-	20	ns
ACK hold time <sup>1</sup>	$t_{hACK}$		-	-	50	ns
SENB interval	$t_{inSEN}$		100	-	-	ns

1. ACK is the acknowledge output (n-channel open-drain). LOW-level output when the data received is valid.  
SDATA load capacitance is 15 pF.



## FUNCTIONAL DESCRIPTION

### Serial Interface

The SM9103M uses a serial interface comprising 2 ports to control and set T<sub>SUB</sub>/F<sub>SUB</sub> output gain switching, sleep mode to reduce current consump-

tion, and T<sub>SUB</sub>/F<sub>SUB</sub> offset correction. The address and bit configuration of each port is shown in table 1.

Table 1. Port address and bit configuration<sup>1</sup>

Bit number															
15	14	13	12	11	10	9	8	7	6	5	4	3	2	1	0
Data								Address							
MSB								LSB							
TG3	TG2	TG1	TG0	FG3	FG2	FG1	FG0	×	LOW	LOW	LOW	LOW	LOW	×	×
SL1	CS1	-	-	-	-	-	-	×	LOW	LOW	LOW	LOW	HIGH	×	×

1. × = don't care, - = unassigned

TG3 to TG0: T<sub>SUB</sub> gain set bits. Default = 0111 (0 dB)

FG3 to FG0: F<sub>SUB</sub> gain set bits. Default = 0111 (0 dB)

SL1: sleep mode set bit. Sleep mode when 1, normal operation when 0. Default = 0.

CS1: offset correction control. Offset correction when 1, normal operation when 0. Default = 0.

Serial data is input on S<sub>DATA</sub> with the LSB first in sync with the falling edge of the S<sub>CLK</sub> clock. After the 16th S<sub>CLK</sub> falling edge and 16 bits of valid data has been input, the S<sub>DATA</sub> n-channel open-drain output goes LOW to perform the function of an acknowledge signal.

If the number of S<sub>CLK</sub> cycles which occur when S<sub>ENB</sub> (serial interface enable) is HIGH is less than

### Data Signal Processor

This stage creates the data signal and ID signal for output. The weak current from the tracking PD cells (T1, T2, T3, T4) are input to the front-end amplifier where the signals are current-to-voltage converted at fixed gain.

The gain setting is controlled by pins WRITE and MODE. WRITE switches between read/write, and MODE switches the gain between values corresponding to high-reflectivity and low-reflectivity discs. These signals control the settings for RAM (low-reflectivity disc) read/write and ROM (high-reflectivity disc) read.

16, the received data is ignored and the internal port is not updated. If the number of S<sub>CLK</sub> cycles is greater than 16, the data is still considered value up to the 16th S<sub>CLK</sub> falling edge, the data is latched into the internal port, and the acknowledge signal is output. The acknowledge signal is held until S<sub>ENB</sub> goes LOW again.

The front-end amplifier outputs are processed by the signal processor block to generate intermediate signals. The data signal, (A + B + C + D), is converted to a difference signal by a differential output buffer and output on DATAP and DATAN. The ID signal, generated from the difference between 2 signals, (A + B) and (C + D), is converted to a difference signal by a differential output buffer and output on CAPAP and CAPAN. The data signal (DATAP, DATAN) and ID signal (CAPAP, CAPAN) DC components are removed using output stage capacitive networks.

T1, T2, T3 and T4 have a hold function to provide the appropriate reverse bias required by the tracking PD to ensure the data read bandwidth.

## Tracking Signal Processor

The tracking stage generates the push-pull tracking error signal and output signal for DPD servo, as well as a push-pull sum signal used as an auxiliary signal.

The  $[(A + B) - (C + D)]$  signal from the common-data front-end amplifier and signal processor block is sent to the gain switching block. The gain switching block amplifies the difference signal using one of 16 preset gain settings in 2 dB steps to form a push-pull signal output on TSUB. A feedback resistor connected to TSUBB is used to ensure gain setting stability. The gain of the gain switching block is controlled by serial interface control bits as shown in table 2.

Each signal from T1, T2, T3, T4 is buffered and then output on DPDA, DPDB, DPDC, DPDD, respectively, for DPD servos.

The auxiliary signal is generated from the push-pull sum signal  $(A + B + C + D)$ . This signal is buffered (TAB) and output on TADD. A feedback resistor connected to TADDB is used to ensure gain setting stability.

Table 2. TSUB gain setting

TG3	TG2	TG1	TG0	Gain (dB) <sup>1</sup>
0	0	0	0	+14
0	0	0	1	+12
0	0	1	0	+10
0	0	1	1	+8
0	1	0	0	+6
0	1	0	1	+4
0	1	1	0	+2
0	1	1	1	0
1	0	0	0	-2
1	0	0	1	-4
1	0	1	0	-6
1	0	1	1	-8
1	1	0	0	-10
1	1	0	1	-12
1	1	1	0	-14
1	1	1	1	-16

1. Default is 0 dB

## Focus Signal Processor

The focus stage generates the focus error signal from the focus PD, and a sum signal. The weak focus PD current signals (F1, F2) are input to the front-end amplifier and then current-to-voltage converted at fixed gain.

The front-end amplifier output is sent to the signal processor block where the focus error signal  $(F1 - F2)$  and the sum signal  $(F1 + F2)$  are generated.

The focus error signal is sent to the gain switching block. The gain switching block amplifies the difference signal using one of 16 preset gain settings in 2 dB steps with output on FSUB. A feedback resistor connected to FSUBB is used to ensure gain setting stability. The gain of the gain switching block is controlled by serial interface control bits as shown in table 3.

The sum is buffered and output on FADD. A feedback resistor connected to FADDB is used to ensure gain setting stability.

Table 3. FSUB gain setting

FG3	FG2	FG1	FG0	Gain (dB) <sup>1</sup>
0	0	0	0	+14
0	0	0	1	+12
0	0	1	0	+10
0	0	1	1	+8
0	1	0	0	+6
0	1	0	1	+4
0	1	1	0	+2
0	1	1	1	0
1	0	0	0	-2
1	0	0	1	-4
1	0	1	0	-6
1	0	1	1	-8
1	1	0	0	-10
1	1	0	1	-12
1	1	1	0	-14
1	1	1	1	-16

1. Default is 0 dB

## Offset Correction

The SM9103M has built-in offset correction circuits for tracking and focus. During offset correction, the internal the device operates in RAM read mode, and FSUB and TSUB operate at maximum gain (+14 dB). The outputs on FSUB, FADD and TSUB are indeterminate. Also, inputs T1, T2, T3, T4 and F1, F2 may be ignored. After correction is complete, the FSUB and TSUB gain settings return to their default values (0 dB).

Offset correction is performed under the following conditions:

- When power is applied.
- When the supply drops below  $2.8 \pm 0.9$  V and then rises to above  $3.8 \pm 0.6$  V.
- When sleep mode operation is cancelled.
- When the serial interface bit CS1 is 1. Note that if SL1 is also 1, then SL1 has priority.

Table 4. Offset correction setting

CS1	Offset correction <sup>1</sup>
0	No correction
1	Correction

1. Default is No correction

## Sleep Mode

The SM9103M features a sleep mode which can be used when the device is not operating to significantly reduce current consumption. The sleep mode is controlled by serial interface bit SL1.

## Preset Function

When power is applied or after offset correction, all serial interface flags are reset to their default values.

If the voltage falls below  $2.8 \pm 0.9$  V during offset correction, then correction stops and does not restart until the supply recovers to above  $3.8 \pm 0.6$  V.

During offset correction, the CALREQ output is held HIGH. CALREQ goes LOW after correction stops.

The SM9103M also incorporates a temperature detect function which detects temperature changes of  $20 \pm 5$  °C from the time the initial correction is performed. If a temperature change is detected, CALREQ goes HIGH and the device waits for an offset correction instruction.

Note that when both WRITE and MODE are HIGH, offset correction is inactive and the output appears uncorrected. However, if a correction start condition occurs when correction is inactive, such as the correction flag CS1 set to 1, then correction operation is initiated internally but does not appear at the output unless correction is activated prior to correction operation finishing.

Once correction has been made inactive, the output remains uncorrected even if correction is subsequently reactivated. In this case, the output remains uncorrected until a valid correction start condition is detected.

Table 5. Sleep mode settings

SL1	Sleep mode <sup>1</sup>	Mode description
LOW	OFF	Normal operation
HIGH	ON	Sleep condition

1. Default is OFF

Flags TG3 to TG0 and FG3 to FG0 are also set to their default values in sleep mode.

NIPPON PRECISION CIRCUITS INC. reserves the right to make changes to the products described in this data sheet in order to improve the design or performance and to supply the best possible products. Nippon Precision Circuits Inc. assumes no responsibility for the use of any circuits shown in this data sheet, conveys no license under any patent or other rights, and makes no claim that the circuits are free from patent infringement. Applications for any devices shown in this data sheet are for illustration only and Nippon Precision Circuits Inc. makes no claim or warranty that such applications will be suitable for the use specified without further testing or modification. The products described in this data sheet are not intended to use for the apparatus which influence human lives due to the failure or malfunction of the products. Customers are requested to comply with applicable laws and regulations in effect now and hereinafter, including compliance with export controls on the distribution or dissemination of the products. Customers shall not export, directly or indirectly, any products without first obtaining required licenses and approvals from appropriate government agencies.



NIPPON PRECISION CIRCUITS INC.

4-3, Fukuzumi 2-chome  
Koto-ku, Tokyo 135-8430, Japan  
Telephone: 03-3642-6661  
Facsimile: 03-3642-6698

NC9806AE 1998.12