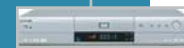




**TECHWELL
VIDEO
DECODERS**



NTSC/PAL/SECAM Video Decoder for Multimedia Applications

Features

Target Applications

- CRT, LCD, PDP and Projection TV
- Multifunction LCD Monitor (Monitor TV)
- DVD-Recorder
- PC TV Capture Card
- CCTV Digital Video Recorder

Analog Video Decoder

- NTSC (M, 4.43) and PAL (B, D, G, H, I, M, N, N combination), PAL (60), SECAM support with automatic format detection
- Advanced synchronization processing for VCR fast forward, backward, and pause mode
- Software selectable analog inputs
 - Up to five composite video inputs
 - Four composite, one S-video or one YCbCr input
 - Two composite, two S-Video or two YCbCr inputs
 - Three composite, one S-Video and one YCbCr inputs
- Three 10-bit ADCs with analog clamping circuit and anti-aliasing filter built in
- Fully programmable static gain or automatic gain control for the Y channel
- Programmable white peak control for the Y channel



TW9906

3x10-bit Multi-Standard Comb Filter Video Decoder
with YCbCr Component Input
* Pin to Pin with TW9909

Techwell's TW9906 is a high quality NTSC/PAL/SECAM video decoder that is designed for multimedia applications. It uses the mixed-signal 2.5V/3.3V CMOS technology to provide a low-power integrated solution.

The TW9906 analog front-end is equipped with three separate analog channels that enable it to accept all three possible analog video signal standards: composite, S-video or YCbCr component video. All channels include an analog multiplexer (MUX) for maximum flexibility in software controlled input selection. It is possible to connect up to five composite inputs at one time and allow the software to switch between them. Alternatively several combinations of composite inputs and S-Video component inputs may be switched under software control. (Four input channels of any format can be accommodated with but there is a maximum of 2 S-Video inputs or 2 component inputs.)

The front-end contains all the necessary circuits to simplify the system design. The built-in three high quality 10-bit analog-to-digital converters (ADCs) convert inputs into digital signals for processing.

The TW9906 uses proprietary adaptive 4H comb filter for chroma and luma separation to achieve high video quality. The image enhancement includes horizontal and vertical peaking, CTI and BCS control.

The advanced synchronization processing can produce stable pictures for non-standard signal such as those produced by VCR trick mode.

The high quality scaler uses multi-tap poly-phase decimation filter to accurately scale down the image with minimum phase error. It can be programmed to scale-down the output picture to an arbitrary ratio with cropping.

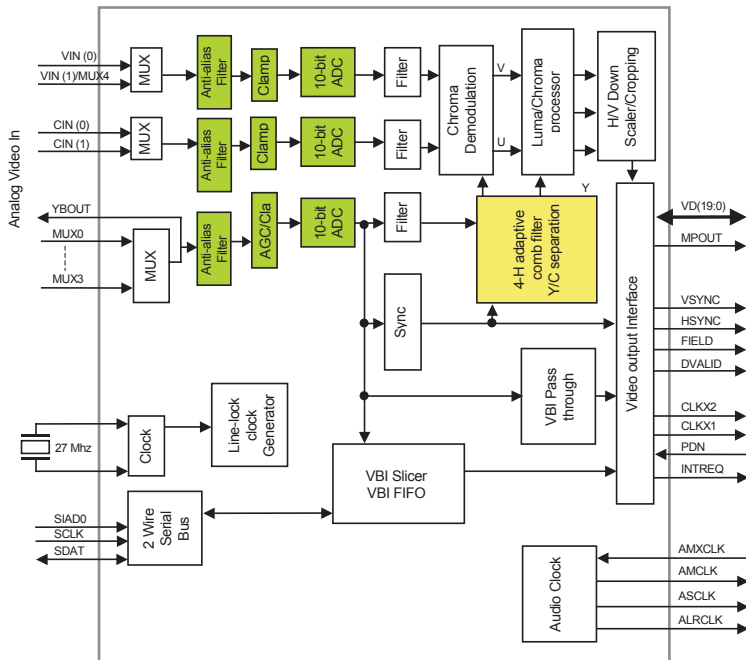
The TW9906 supports flexible pixel interface. It outputs YCbCr (4:2:2) data stream over 10-bit or 20-bit data path. It also supports both free-running clock and line-locked clock output.

A 2-wire serial MPU interface is used to simplify system integration. All the functions can be controlled through this interface.

TW9906

3x10-bit Multi-Standard Comb Filter Video Decoder
with YCbCr Component Input
* Pin to Pin with TW9909

TW9906 Block Diagram



Video Processing

- Adaptive 4H comb filter for the best image quality
- PAL delay line for color phase error correction
- Digital sub-carrier PLL for accurate color decoding
- Digital Horizontal PLL and advanced synchronization processing for non-standard video signals
- Programmable hue, brightness, saturation, contrast, and sharpness
- Blue stretch
- Image enhancement with 2D peaking and CTI.
- Automatic color control and color killer
- IF compensation filter
- Detection of level of copy protection according to Macrovision standard
- YCbCr input supports 480i/576i and sub-sampled 480p/576p with auto-detection.

Video Output

- Supports both free-running and line-locked clock outputs
- Programmable output cropping
- High quality horizontal filtered scaling with arbitrary scale down ratio
- VMI 1.4 compatible 10-bit or 20-bit pixel interface
- ITU-R 601 or ITU-R 656 compatible output YCbCr(4:2:2) output format
- VBI slicer supporting industrial standard data services with data packet filter capability
- Built-in VBI FIFO for convenient access through host interface
- VBI data pass through, raw ADC data for Intercast™
- Field locked audio clock generator

Miscellaneous

- Two wire MPU serial bus interface
- Power-down mode
- Typical power consumption 0.25W
- Single 27MHz crystal for all standards
- Supports 24.54MHz and 29.5MHz crystal for high quality square pixel format
- 3.3V / 5V tolerant I/O
- 2.5V / 3.3V Power Supply
- 80 pin TQFP package

About Techwell

Techwell is a fabless semiconductor company that designs, markets and sells mixed signal integrated circuits for multiple digital video applications in the consumer, security surveillance and automotive markets, including advanced TVs, multifunction LCD monitors, DVD Recorders, security surveillance systems and in-car LCD displays. Founded in 1997, we currently have over 80 employees and are headquartered in San Jose, California, with additional R&D and sales activities in South Korea, Japan, Taiwan and China. NASDAQ: TWLL

For more information on Techwell, please contact us at 1-408-435-3888

© 2006 Techwell Inc. All rights reserved.
All other trademarks are property of their respective owners