

# Single Chip 10BASE-FL Transceiver

## GENERAL DESCRIPTION

The ML4663 single-chip 10BASE-FL transceiver integrates both a ML4662 10BASE-FL transceiver with a ML4622 fiber optic data quantizer to implement a highly integrated solution for 10BASE-FL transceivers. The ML4663 offers a standard IEEE 802.3 AU interface that allows it to be directly connected to industry standard manchester encoder/decoder chips or an AUI connector.

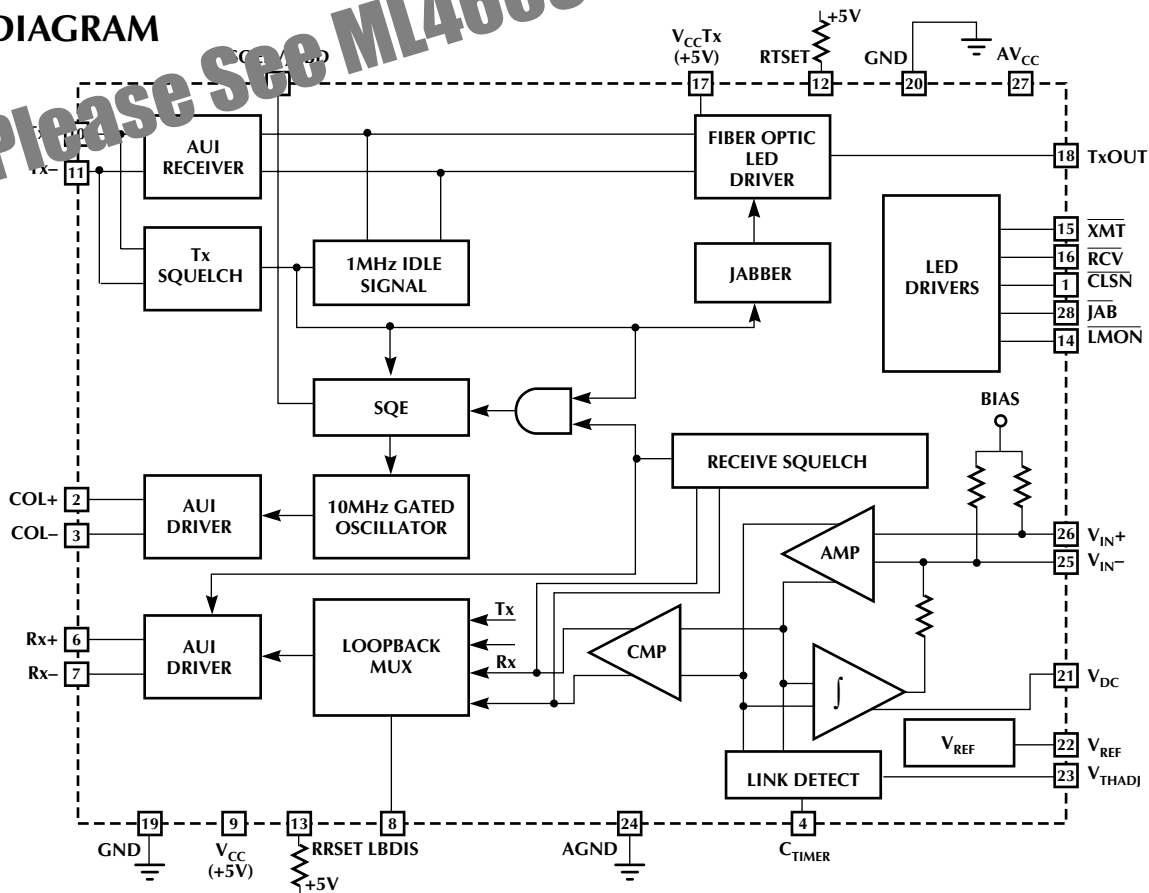
The ML4663 provides a highly integrated solution that requires a minimal number of external components, and is compliant to the IEEE 802.3 10BASE-FL standard. The transmitter offers a current drive output that directly drives a fiber optic LED transmitter. The receiver offers a highly stable fiber optic data quantizer capable of accepting input signals as low as  $2\text{mV}_{\text{P-P}}$  with a 55dB dynamic range.

The transmitter automatically inserts 1MHz signal during idle time and removes this signal on reception. Low Light is continuously monitored for both activity as well as power level. Five LED status indicators monitor error conditions as well as transmissions, receptions and collisions.

## FEATURES

- Single chip solution for 10BASE-FL internal or external Medium Attachment Units (MAUs)
- Incorporates an AU interface
- Highly stable data quantizer with 55dB input dynamic range
- Input sensitivity as low as  $2\text{mV}_{\text{P-P}}$
- Current driven fiber optic LED driver for accurate launch power
- Single +5 volt supply
- No crystal or clock required
- Five network status LED outputs

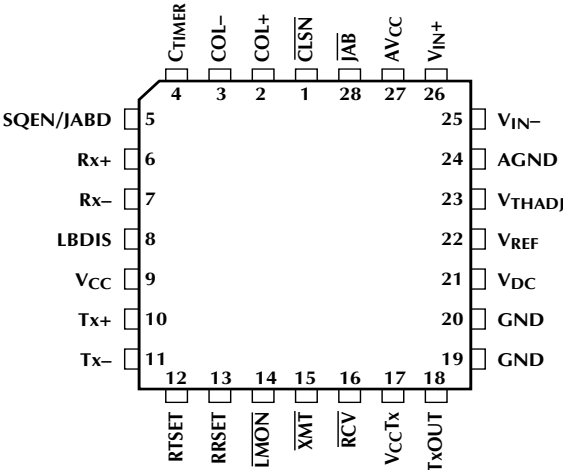
## BLOCK DIAGRAM



# ML4663

## PIN CONNECTION

ML4663  
28-Pin PLCC (Q28)



## PIN DESCRIPTION

| PIN | NAME                     | FUNCTION  | PIN | NAME                    | FUNCTION  |
|-----|--------------------------|---|-----|-------------------------|---|
| 1   | $\overline{\text{CLSN}}$ | Indicates that a collision is taking place. Active low LED driver, open collector. Event is extended with internal timer for visibility.  | 15  | $\overline{\text{XMT}}$ | Indicates that transmission is taking place. Active low LED driver, open collector. Event is extended with internal timer for visibility.   |
| 2   | COL+                     | Gated 10MHz oscillation used to indicate a collision, SQE test, or jabber. Balanced differential line driver outputs that meet AUI specifications.  | 16  | $\overline{\text{RCV}}$ | Indicates that the transceiver is receiving a frame from the optical input. Active low LED driver, open collector. Event is extended with internal timer for visibility.                                  |
| 3   | COL-                     |   |     |                         |   |
| 4   | C <sub>TIMER</sub>       | A capacitor from this pin to V <sub>CC</sub> determines the Link Monitor response time.   | 17  | V <sub>CC</sub> Tx      | +5 volt supply for fiber optic LED driver.  |
| 5   | SQEN/JABD                | SQE Test Enable, Jabber Disable. When tied low, SQE test is disabled, when tied high SQE test is enabled. When tied to 2.0V both SQE test and Jabber are disabled.  | 18  | TxOUT                   | Fiber optic LED driver output.  |
| 6   | Rx+                      | Manchester encoded receive data output to the local device. Balanced differential line driver outputs that meet AUI specifications.   | 19  | GND                     | Ground Reference.   |
| 7   | Rx-                      |   | 20  | GND                     | Ground Reference.   |
| 8   | LBDIS                    | Loopback Disable. When this pin is tied to V <sub>CC</sub> , the AUI transmit pair data is not looped back to the AUI receive pair, and collision is disabled. When this pin is tied to GND (normal operation) or left floating, the AUI transmit pair data is looped back to the AUI receiver pair, except during collision.   | 21  | V <sub>DC</sub>         | An external capacitor on this pin integrates an error signal which nulls the offset of the input amplifier. If the DC feedback loop is not being used, this pin should be connected to V <sub>REF</sub> . |
| 9   | V <sub>CC</sub>          | +5 volt power input.  | 22  | V <sub>REF</sub>        | A 2.5V reference with respect to GND.   |
| 10  | Tx+                      | Balanced differential line receiver inputs that meet AUI specifications. These inputs may be transformer or capacitively coupled. The Tx input pins are internally DC biased for AC coupling.   | 23  | V <sub>THADJ</sub>      | This input pin sets the link monitor threshold.   |
| 11  | Tx-                      |   | 24  | AGND                    | Analog Filtered Ground.   |
| 12  | RTSET                    | Sets the current driven output of the transmitter.  | 25  | V <sub>IN-</sub>        | This input pin should be capacitively coupled to the input source or to filtered AV <sub>CC</sub> . (The input resistance is approximately 1.3k $\Omega$ .)   |
| 13  | RRSET                    | A 1% 61.9k $\Omega$ resistor tied from this pin to V <sub>CC</sub> sets the biasing currents for internal nodes.  | 26  | V <sub>IN+</sub>        | This input pin should be capacitively coupled to the input source or to filtered AV <sub>CC</sub> . (The input resistance is approximately 1.3k $\Omega$ .)   |
| 14  | $\overline{\text{LMON}}$ | Link Monitor "Low Light" LED status output. This pin is pulled low when the voltage on the V <sub>IN+</sub> , V <sub>IN-</sub> inputs exceed the minimum threshold set by the V <sub>THADJ</sub> pin, and there are transitions on V <sub>IN+</sub> , V <sub>IN-</sub> indicating an idle signal or active data. If either the voltage on the V <sub>IN+</sub> , V <sub>IN-</sub> inputs fall below the minimum threshold or transitions cease on V <sub>IN+</sub> , V <sub>IN-</sub> , $\overline{\text{LMON}}$ will go high. Active low LED driver, open collector. | 27  | AV <sub>CC</sub>        | Analog Filtered +5 volts.   |
|     |                          |   | 28  | $\overline{\text{JAB}}$ | Jabber network status LED. When in the Jabber state, this pin will be low and the transmitter will be disabled. In the Jabber "OK" state this pin will be high. Active low LED, open collector.           |

## ABSOLUTE MAXIMUM RATINGS

Absolute maximum ratings are limits beyond which the life of the integrated circuit may be impaired. All voltages unless otherwise specified are measured with respect to ground.

|   |                               |
|---|-------------------------------|
| Power Supply Voltage Range  | $V_{CC}$ ..... GND -0.3 to 6V |
| Input Voltage Range   |                               |
| Digital Inputs  |                               |
| SQEN, LBDIS ..... GND -0.3 to $V_{CC}$ +0.3V  |                               |
| Tx+, Tx-, $V_{IN+}$ , $V_{IN-}$ ..... GND -0.3 to $V_{CC}$ +0.3V  |                               |
| Input Current   |                               |
| RRSET, RTSET, $\overline{JAB}$ , $\overline{CLSN}$ , $\overline{XMT}$ , $\overline{RCV}$ , $\overline{LMON}$ ..... 60mA |                               |
| Output Current  |                               |
| TxOUT ..... 70mA  |                               |

|   |
|---|
| Junction Temperature ..... 150°C                  |
| Storage Temperature Range ..... -65°C to 150°C    |
| Lead Temperature (Soldering) ..... 260°C          |
| Thermal Resistance ( $\theta_{JA}$ ) ..... 68°C/W |

## OPERATING CONDITIONS

|   |
|---|
| Supply Voltage ( $V_{CC}$ ) ..... 5V $\pm$ 5% |
| LED on Current ..... 10mA                     |
| RRSET ..... 61.9k $\Omega$ $\pm$ 1%           |
| RTSET ..... 115 $\Omega$ $\pm$ 1%             |

## ELECTRICAL CHARACTERISTICS

Unless otherwise specified,  $T_A$  = Operations Temperature Range,  $V_{CC} = V_{CCTx} = 5V \pm 5%$  (Note 1)

| SYMBOL     | PARAMETER  | CONDITIONS  | MIN                   | TYP  | MAX                 | UNITS             |
|------------|--|---|-----------------------|------|---------------------|-------------------|
| $I_{CC}$   | Power Supply Current $I_{CC}$ :<br>While Transmitting            | $V_{CC} = 5V$ , RTSET = 115 $\Omega$<br>(Note 2)  |                       |      | 220                 | mA                |
| $V_{OL}$   | LED Drivers: $V_{OL}$  | $I_{OL} = 10mA$ (Note 3)                          |                       |      | 0.8                 | V                 |
| $I_{OUT}$  | Transmit Peak Output Current                                     | RTSET = 115 $\Omega$ (Note 4)                     | 44                    | 52   | 57                  | mA                |
| $V_{SQ}$   | Transmit Squelch Voltage Level<br>(Tx+, Tx-)                     |   | -300                  | -250 | -200                | mV                |
| $V_{DO}$   | Differential Output Voltage<br>(Rx $\pm$ , COL $\pm$ )           |   | $\pm 550$             |      | $\pm 1200$          | mV                |
| $V_{CM}$   | Common Mode Output Voltage<br>(Rx $\pm$ , COL $\pm$ )            |   |                       | 4.0  |                     | V                 |
| $V_{DOO}$  | Differential Output Voltage<br>Imbalance (Rx $\pm$ , COL $\pm$ ) |   |                       |      | $\pm 40$            | mV                |
| $V_{SQE}$  | SQE/JABD   | SQE Test Disable<br>Both Disabled<br>Both Enabled | 1.5<br>$V_{CC} - 0.5$ |      | 0.3<br>$V_{CC} - 2$ | V<br>V<br>V       |
| $V_{LBTH}$ | LBDIS Threshold  | Disabled<br>Enabled                               | $V_{CC} - 0.1$        |      | 1                   | V<br>V            |
| $V_{TXCM}$ | Common Mode Voltage<br>(Tx+, Tx-)                                |   |                       | 3.5  |                     | V                 |
| $V_{INCM}$ | Common Mode Voltage<br>( $V_{IN+}$ , $V_{IN-}$ )                 |   |                       | 1.65 |                     | V                 |
| $V_{REF}$  | Reference Voltage  |   | 2.30                  | 2.45 | 2.60                | V                 |
| $I_{REF}$  | $V_{REF}$ Output Source Current                                  |   |                       |      | 5                   | mA                |
| $A_V$      | Amplifier Gain   |   |                       | 100  |                     | V/V               |
| $V_{ISR}$  | Input Signal Range   |   | 2                     |      | 1600                | mV <sub>P-P</sub> |

**ELECTRICAL CHARACTERISTICS**

Unless otherwise specified,  $T_A$  = Operations Temperature Range,  $V_{CC} = V_{CCTx} = 5V \pm 5\%$  (Note 1)

| SYMBOL      | PARAMETER                                       | CONDITIONS                            | MIN  | TYP | MAX  | UNITS             |
|-------------|---|---------------------------------------|------|-----|------|-------------------|
| $V_{THADJ}$ | External Voltage at $V_{THADJ}$ to Set $V_{TH}$ |                                       | 0.5  |     | 2.7  | V                 |
| $V_{OFF}$   | Input Offset                                    | $V_{DC} = V_{REF}$ (DC loop inactive) |      | 3   |      | mV                |
| $V_N$       | Input Referred Noise                            | 50MHz BW                              |      | 25  |      | $\mu$ V           |
| $R_{IN}$    | Input Resistance                                | $V_{IN+}, V_{IN-}$                    | 0.8  | 1.3 | 2.0  | k $\Omega$        |
| $I_{TH}$    | Input Bias Current of $V_{THADJ}$               |                                       | -200 | 10  | +200 | $\mu$ A           |
| $V_{TH}$    | Input Threshold Voltage                         | $V_{THADJ} = V_{REF}$ (Note 5)        | 5    | 6   | 7    | mV <sub>P-P</sub> |
| H           | Hysteresis                                      |                                       |      | 20  |      | %                 |

**AC ELECTRICAL CHARACTERISTICS**

| SYMBOL          | PARAMETER  | MIN  | TYP | MAX       | UNITS |
|-----------------|--|------|-----|-----------|-------|
| <b>Transmit</b> |  |      |     |           |       |
| $F_{TXIDF}$     | Transmit Idle Frequency  | 0.85 |     | 1.25      | MHz   |
| $P_{TXDC}$      | Transmit Idle Duty Cycle   | 45   |     | 55        | %     |
| $t_{TXNPW}$     | Transmit Turn-On Pulse Width                                       |      | 20  |           | ns    |
| $t_{TXODY}$     | Transmit Turn-On Delay   |      |     | 200       | ns    |
| $t_{TXLP}$      | Transmit Loopback Start-up Delay                                   |      |     | 500       | ns    |
| $t_{TXFPW}$     | Transmit Turn-Off Pulse Width                                      |      | 180 |           | ns    |
| $t_{TXSOI}$     | Transmit Turn-Off Start of Idle                                    | 400  |     | 2100      | ns    |
| $t_{TXSDY}$     | Transmit Steady State Propagation Delay                            |      | 15  | 50        | ns    |
| $t_{TXJ}$       | Transmit Jitter into 31 $\Omega$ Load                              |      |     | $\pm 1.5$ | ns    |
| <b>Receive</b>  |  |      |     |           |       |
| $F_{RXSFT}$     | Receive Squelch Frequency Threshold                                | 2.51 |     | 4.5       | MHz   |
| $t_{RXODY}$     | Receive Turn-On Delay  |      |     | 285       | ns    |
| $t_{RXFX}$      | Last Bit Received to Slow Decay Output                             | 230  | 300 |           | ns    |
| $t_{RXSDY}$     | Receive Steady State Propagation Delay                             |      | 15  | 50        | ns    |
| $t_{RXJ}$       | Receive Jitter   |      |     | $\pm 1.5$ | ns    |
| $t_{AR}$        | Differential Output Rise Time 20% to 80% ( $R_{x\pm}$ , $COL\pm$ ) |      | 4   |           | ns    |
| $t_{AF}$        | Differential Output Fall Time 20% to 80% ( $R_{x\pm}$ , $COL\pm$ ) |      | 4   |           | ns    |

## AC ELECTRICAL CHARACTERISTICS

| SYMBOL                       | PARAMETER  | MIN | TYP | MAX  | UNITS |
|------------------------------|--|-----|-----|------|-------|
| <b>Collision</b>             |  |     |     |      |       |
| t <sub>CPSQE</sub>           | Collision Present to SQE Assert                        | 0   |     | 350  | ns    |
| t <sub>SQEXR</sub>           | Time for SQE to Deactivate After Collision             | 0   |     | 700  | ns    |
| F <sub>CLF</sub>             | Collision Frequency                                    | 8.5 |     | 11.5 | MHz   |
| P <sub>CLPDC</sub>           | Collision Pulse Duty Cycle                             | 40  | 50  | 60   | %     |
| t <sub>SQEDY</sub>           | SQE Test Delay (Tx Inactive to SQE)                    | 0.6 |     | 1.6  | μs    |
| t <sub>SQETD</sub>           | SQE Test Duration                                      | 0.5 | 1.0 | 1.5  | μs    |
| <b>Jabber and LED Timing</b> |  |     |     |      |       |
| t <sub>JAD</sub>             | Jabber Activation Delay                                | 20  | 70  | 150  | ms    |
| t <sub>JRT</sub>             | Jabber Reset Unjab Time                                | 250 | 450 | 750  | ms    |
| t <sub>JSQE</sub>            | Delay from Outputs Disabled to Collision Oscillator On |     | 100 |      | ns    |
| t <sub>LED</sub>             | RCV, CLSN, XMT On Time                                 | 8   | 16  | 32   | ms    |
| t <sub>LLPH</sub>            | Low Light Present to $\overline{\text{LMON}}$ High     | 3   | 5   | 10   | μs    |
| t <sub>LLCL</sub>            | Low Light Present to $\overline{\text{LMON}}$ Low      | 250 |     | 750  | ms    |

**Note 1:** Limits are guaranteed by 100% testing, sampling, or correlation with worst-case test conditions.

**Note 2:** This does not include the current from the AUI pull-down resistors, or LED status outputs.

**Note 3:** LED drivers can sink up to 20mA, but V<sub>OL</sub> will be higher.

**Note 4:** Does not include pre-bias current for fiber optic LED which would typically be 3mA.

**Note 5:** Threshold for switching from Link Fail to Link Pass (Low Light).



## SYSTEM DESCRIPTION

Figure 1 shows a schematic diagram of the ML4663 in an internal or external 10BASE-FL MAU. On one side of the transceiver is the AU interface and the other is the fiber optic interface. The AU interface is AC coupled when used in an external transceiver or an internal transceiver. The AU interface for an external transceiver includes isolation transformers, some biasing resistors, and a voltage regulator for power.

The fiber optic side of the transceiver requires an external fiber optic transmitter and fiber optic receiver. The transmitter uses a current driven output that directly drives the fiber optic transmitter. The receive side of the transceiver accepts the data after passing through a fiber optic receiver, which consists of a module containing a pin diode and a transimpedance amplifier.

### AU INTERFACE

The AU interface consists of 3 pairs of signals: DO, CI and DI (Figure 1). The DO pair contains transmit data from the DTE which is received by the transceiver and sent out onto the fiber optic cable. The DI pair contains valid data that has been either received from the fiber optic cable or looped back from the DO, and output through the DI pair to the DTE. The CI pair indicates whether a collision has occurred. It is an output that oscillates at 10MHz if a collision, Jabber or SQE Test has taken place, otherwise it remains idle.

When the transceiver is external, these three pairs are AC coupled through isolation transformers, while an internal transceiver may be capacitively coupled. Tx+, Tx- is internally DC biased (shifted up in voltage) for the proper common mode input voltage.

The two 39Ω 1% resistors (or one 78Ω 1% resistor) tied to the Tx+ and Tx- pins will provide the proper termination. The CI and DI pair, which are output from the transceiver to the AUI cable, require 360Ω pull down resistors when terminated with a 78Ω load. However on a DTE card, CI and DI do not need 78Ω terminating resistors. This also means that the pull down resistors on CI and DI can be 1kΩ or greater depending upon the particular Manchester encoder/decoder chip used. Using higher value pull down resistors as in a DTE card will save power. Refer to Application Note 13 for a more detailed explanation of the AUI pull-down resistors.

The AUI drivers are capable of driving the full 50 meters of cable length and have a rise and fall time of typically 4ns. In the idle state, the outputs go to the same voltage to prevent DC standing current in the isolation transformers.

### TRANSMISSION

The transmit function consists of detecting the presence of data from the AUI DO input (Tx+, Tx-) and driving that data onto the fiber optic LED transmitter. A positive signal on the Tx+ lead relative to the Tx- lead of the DO circuit will result in no current, hence the fiber optic LED is in a low light condition. When Tx+ is more negative than Tx-, the ML4663 will sink current into the chip and the fiber optic LED will light up.

Before data will be transmitted onto the fiber optic cable from the AUI interface, it must exceed the squelch requirements for the DO pair. The Tx squelch circuit serves the function of preventing any noise from being transmitted onto the fiber. This circuit rejects signals with pulse widths less than typically 20ns (negative going), or with levels less than -250mV. Once Tx squelch circuit has unsquelched, it looks for the start of idle signal to turn on the squelch circuit again. The transmitter turns on the squelch again when it receives an input signal at Tx+, Tx- that is more positive than -250mV for more than approximately 180ns.

At the start of a packet transmission, no more than 2 bits are received from the DO circuit, and are not transmitted onto the fiber optic cable. The difference between start-up delays (bit loss plus steady-state propagation delay) for any two packets that are separated by 9.6μs or less will not exceed 200ns.

### FIBER OPTIC LED DRIVER

The output stage of the transmitter is a current mode switch which develops the output light by sinking current through the LED into the TxOUT pin. Once the current requirement for the LED is determined, the RTSET resistor is selected. The following equation is used to select the correct RTSET resistor:

$$RTSET = \left( \frac{52\text{mA}}{I_{OUT}} \right) 115\Omega$$

The transmitter enters the idle state when it detects start of idle on Tx+ and Tx- input pins. After detection, the transmitter switches to a 1MHz output idle signal.

The output current is switched through the TxOUT pin during the on cycle and the V<sub>CC</sub>Tx pin during the off cycle as shown in figure 2. Since the sum of the current in these two pins is constant, V<sub>CC</sub>Tx should be connected as close as possible to the V<sub>CC</sub> connection for the LED.

If not driving an optical LED directly, a differential output can be generated by tying resistors from V<sub>CC</sub>Tx and TxOUT to V<sub>CC</sub> as shown in figure 3. The minimum voltage on these two pins should not be less than V<sub>CC</sub> - 2V.

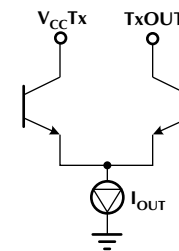
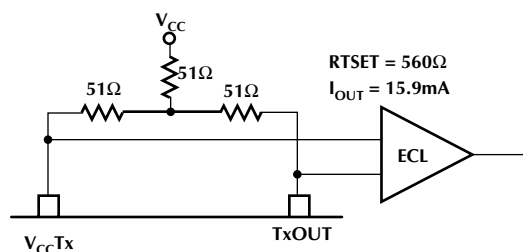


Figure 2. Fiber Optic LED Driver Structure.





**Figure 3. Converting Optical LED Driver Output to Differential ECL.**

## RECEPTION

The input to the transceiver comes from a fiber optic receiver (Figure 1). At the start of packet reception no more than 2.7 bits are received from the fiber cable, and are not transmitted onto the DI circuit. The receive squelch will reject frequencies lower than 2.51MHz.

While in the unsquelch state, the receive squelch circuit looks for the start of idle signal at the end of the packet. Start of idle occurs when the input signal remains idle for more than 160ns. When start of idle is detected, the receive squelch circuit returns to the squelch state and the start of idle signal is output on the DI circuit (Rx+, Rx-).

## COLLISION

Whenever the receiver and the transmitter are active at the same time the chip will activate the collision output, except when loopback is disabled (LBDIS = V<sub>CC</sub>). The collision output is a differential square wave matching the AUI specifications and capable of driving a 78Ω load. The frequency of the square wave is 10MHz ± 15% with a 60/40 to 40/60 duty cycle. The collision oscillator also is activated during SQE Test and Jabber.

## LOOPBACK

The loopback function emulates a 10BASE-T transceiver whereby the transmit data sent by the DTE is looped back over the AUI receive pair. Some LAN controllers use this loopback information to determine whether a MAU is connected by monitoring the carrier sense while transmitting. The software can use this loopback information to determine whether a MAU is connected to the DTE by checking the status of carrier sense after each packet transmission.

When data is received by the chip while transmitting, a collision condition exits. This will cause the collision oscillator to turn on and the data on the DI pair will follow V<sub>IN+</sub>, V<sub>IN-</sub>. After a collision is detected, the collision oscillator will remain on until either DO or V<sub>IN+</sub>, V<sub>IN-</sub> go idle.

Loopback can be disabled by strapping LBDIS to V<sub>CC</sub>. In this mode the chip operates as a full duplex transmitter and receiver, and collision detection is disabled. A loopback through the transceiver can be accomplished by tying the fiber transmitter to the receiver.

## SQE TEST FUNCTION (SIGNAL QUALITY ERROR)

The SQE test function allows the DTE to determine whether the collision detect circuitry is functional. After each transmission, during the inter packet gap time, the collision oscillator will be activated for typically 1μs. The SQE test will not be activated if the chip is in the low light state, or the jabber on state.

For SQE to operate, the SQEN pin must be tied to V<sub>CC</sub>. This allows the MAU to be interfaced to a DTE. The SQE test can be disabled by tying the SQEN pin to ground, for a repeater interface.

## JABBER FUNCTION REQUIREMENTS

The Jabber function prevents a babbling transmitter from bringing down the network. Within the transceiver is a Jabber timer that starts at the beginning of each transmission and resets at the end of each transmission. If the transmission last longer than 20ms the Jabber logic disables the transmitter and turns on the collision signal COL+, COL-. When Tx+ and Tx- finally go idle, a second timer measures 0.5 seconds of idle time before the transmitter is enabled and collision is turned off. Even though the transmitter is disabled during Jabber, the 1MHz idle signal is still transmitted.

## LED DRIVERS

The ML4663 has five LED drivers. The LED driver pins are active low, and the LEDs are normally off (except for LMON). The LEDs are tied to their respective pins through a 500Ω resistor to 5V.

The XMT, RCV and CLSN pins have pulse stretchers on them which enables the LEDs to be visible. When transmission or reception occurs, the LED XMT, RCV or CLSN status pins will activate low for several milliseconds. If another transmit, receive or collision conditions occurs before the timer expires, the LED timer will reset and restart the timing. Therefore rapid events will leave the LEDs continuously on. The JAB and LMON LEDs do not have pulse stretchers on them since their conditions occur long enough for the eye to see.

## LOW LIGHT CONDITION

The LMON LED output is used to indicate a low light condition. LMON is activated low when both the receive power exceeds the Link Monitor threshold and there are transitions on V<sub>IN+</sub>, V<sub>IN-</sub> less than 3μs apart. If either one of these conditions do not exist, LMON will go high.

## INPUT AMPLIFIER

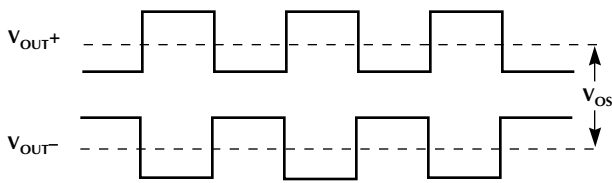
The V<sub>IN+</sub>, V<sub>IN-</sub> input signal is fed into a limiting amplifier with a gain of about 100 and input resistance of 1.3kΩ. Maximum sensitivity is achieved through the use of a DC restoration feedback loop and AC coupling the input. When AC coupled, the input DC bias voltage is set by an on-chip network at about 1.7V. These coupling capacitors, in conjunction with the input impedance of the amplifier, establish a high pass filter with 3dB corner frequency, f<sub>L</sub>, at

$$f_L = \frac{1}{2\pi 1300C} \quad (1)$$

Since the amplifier has a differential input, two capacitors of equal value are required. If the signal driving the input is single ended, one of the coupling capacitors can be tied to AVCC (Figure 1).

The internal amplifier has a lowpass filter built-in to band limit the input signal which in turn will improve the signal to noise ratio.

Although the input is AC coupled, the offset voltage *within* the amplifier will be present at the amplifier's output. This is represented by  $V_{OS}$  in Figure 4. In order to reduce this error a DC feedback loop is incorporated. This negative feedback loop nulls the offset voltage, forcing  $V_{OS}$  to be zero. Although the capacitor on  $V_{DC}$  is non-critical, the pole it creates can effect the stability of the feedback loop. To avoid stability problems, the value of this capacitor should be at least 10 times larger than the input coupling capacitors.



**Figure 4.**

The comparator is a high-speed, differential zero crossing detector that slices and accurately digitizes the receive signal. The output of the comparator is fed in parallel into both the receive squelch circuit and the loopback MUX.

### LINK DETECT CIRCUIT AND LOW LIGHT

The link detect circuit monitors the input signal and determines when the input falls below a preset voltage level. When the input falls below a preset voltage, the ML4663 goes into the Low Light state. In the Low Light state the transmitter is disabled, but continues sending the 1MHz idle signal, the loopback is disabled, the receiver is disabled, and the  $\overline{LMON}$  LED pin goes to high shutting off the  $\overline{LMON}$  LED. To return to the Link Pass state, the optical receiver power must be 20% higher than the shut-off state. This built-in hysteresis adds stability to the Link Monitor circuit. Once the receiver power threshold is exceeded, the ML4663 waits 250ms to 750ms, then checks to see that Tx+ Tx- is idle and no data is being received before re-enabling the transmitter, receiver, loopback circuit, and lighting up the  $\overline{LMON}$  LED.

The  $V_{THADJ}$  pin is used to adjust the sensitivity of the receiver. The ML4663 is capable of exceeding the 10BASE-FL specifications for sensitivity. The sensitivity is dependent on the layout of the PC board. A good low noise layout will exceed the 10BASE-FL specifications, while a poor layout will fail to meet the sensitivity and BER spec.

The threshold generator shifts the reference voltage at  $V_{THADJ}$  through a circuit which has a temperature coefficient matching that of the limiting amplifier. The relationship between the  $V_{THADJ}$  and the  $V_{TH}$  (the peak to peak input threshold) is:

$$V_{THADJ} = 408V_{TH} \quad (2)$$

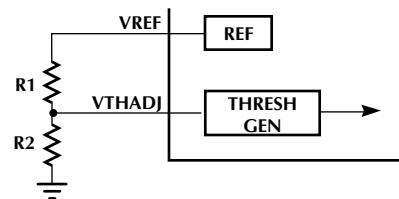
In a 10BASE-FL receiver there must be less than  $1 \times 10^{-10}$  bit errors at a receive power level of  $-32.5\text{dBm}$  average. One procedure to determine the sensitivity of a receiver is to start at the lowest optical power level and gradually increase the optical power until the BER is met. In this case the Link Detect circuit must not disable the receiver (i.e.  $V_{THADJ}$  should be tied to Ground). Once the sensitivity of the receiver is determined,  $V_{THADJ}$  can be set just above the power level that meets the BER specification. This way the receiver will shut-off before the BER is exceeded.

For 10BASE-FL  $V_{THADJ}$  can be tied directly to  $V_{REF}$ . However if greater sensitivity is required the circuit in figure 5 can be used to adjust the  $V_{THADJ}$  voltage. Even if  $V_{REF}$  is tied to  $V_{THADJ}$ , it is a good idea to layout a board with these two resistors available. This will allow potential future adjustments without board revisions.

The response time of the Link Detect circuit is set by the  $C_{TIMER}$  pin. Starting from the link off state the link can be switched on if the input exceeds the set threshold for a time given by:

$$T = \frac{C_{TIMER} \times 0.7V}{700\mu A} \quad (3)$$

To switch the link from on to off, the above time will be doubled. A value of  $0.05\mu F$  will meet to 10BASE-FL specifications.



**Figure 5.**

TIMING DIAGRAMS

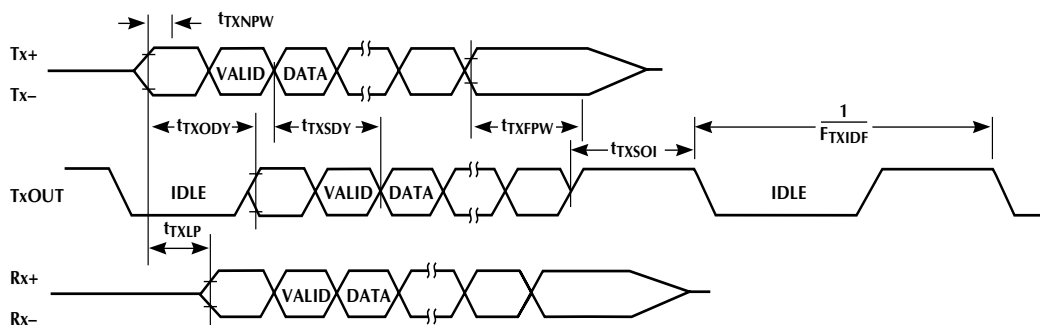


Figure 6. Transmit and Loopback Timing

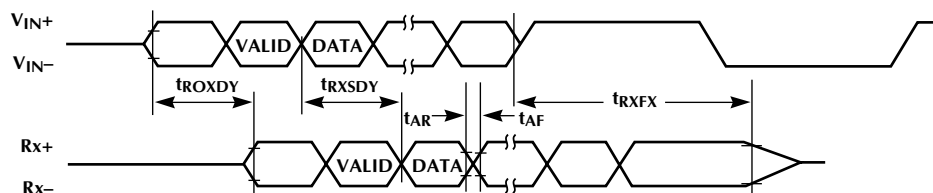


Figure 7. Receive Timing

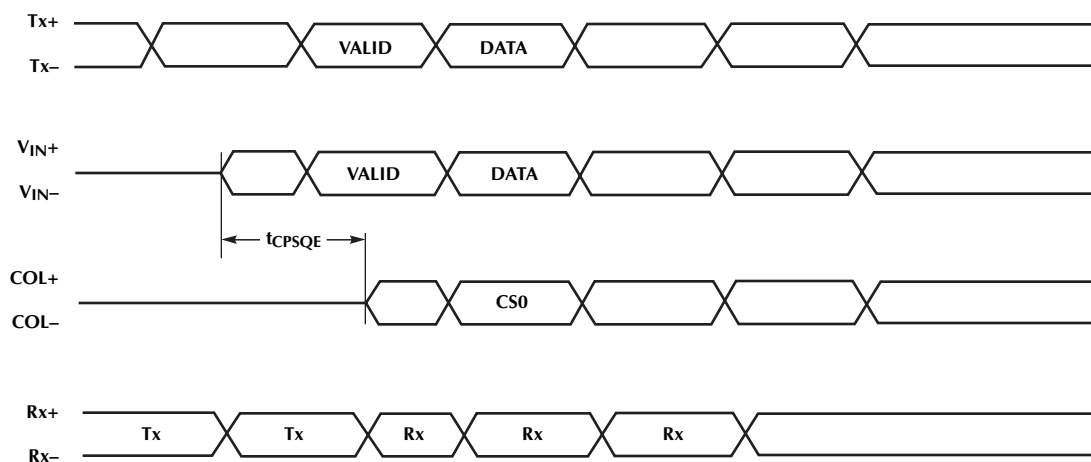


Figure 8. Collision Timing

TIMING DIAGRAMS

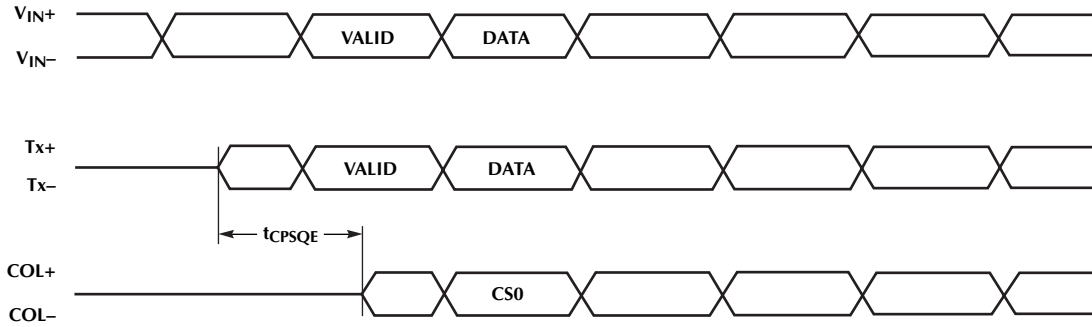


Figure 9. Collision Timing

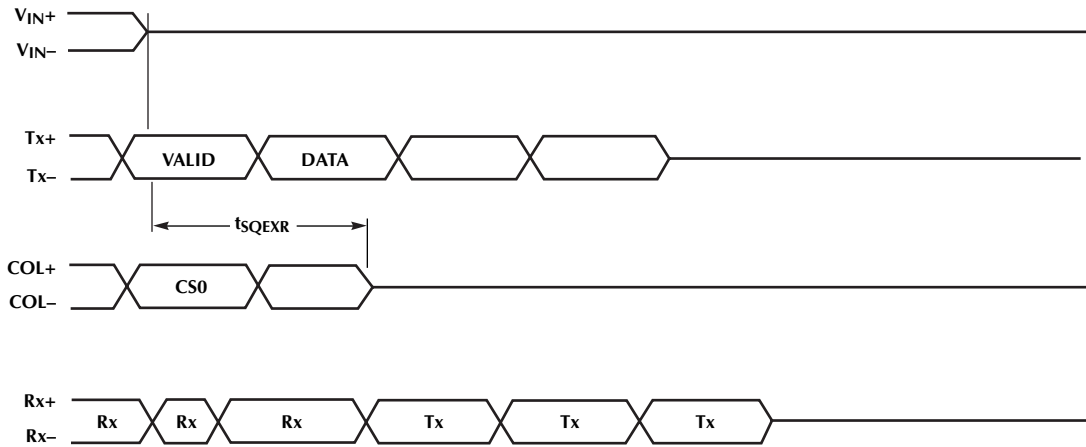


Figure 10. Collision Timing

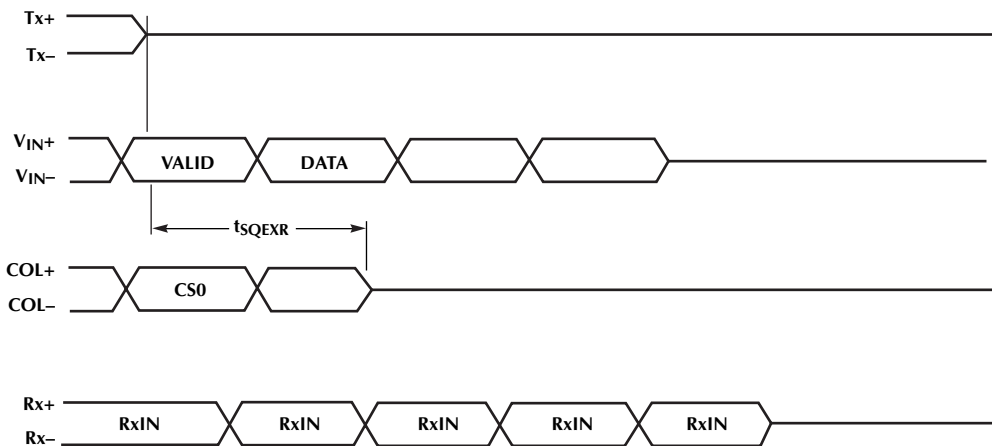


Figure 11. Collision Timing

## TIMING DIAGRAMS

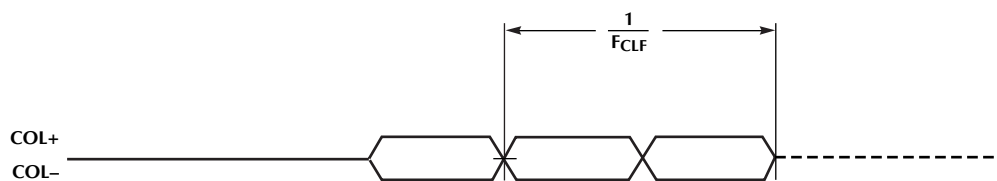


Figure 12. Collision Timing

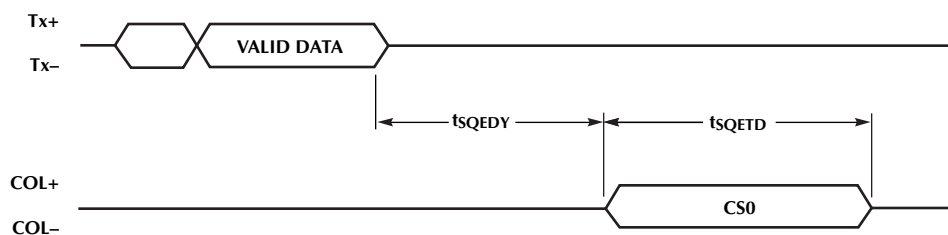


Figure 13. SQE Timing

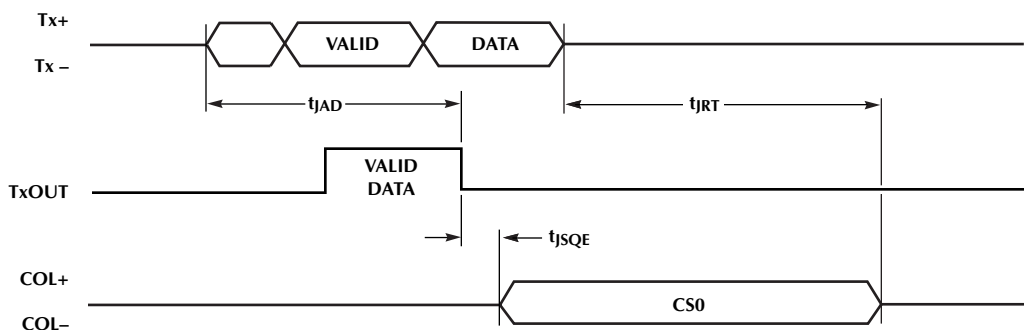


Figure 14. Jabber Timing

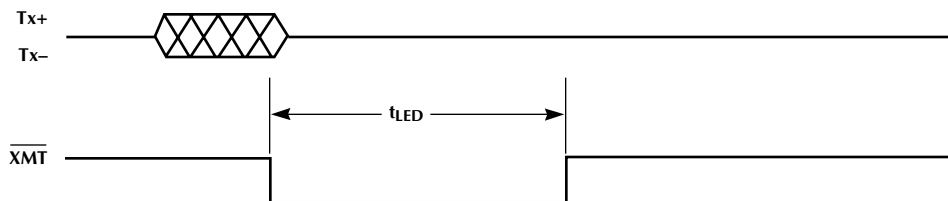


Figure 15. LED Timing

TIMING DIAGRAMS

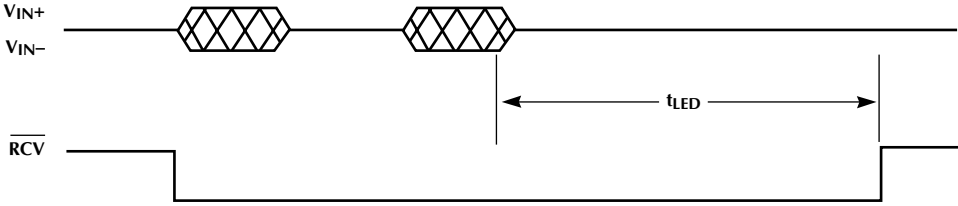


Figure 16. LED Timing

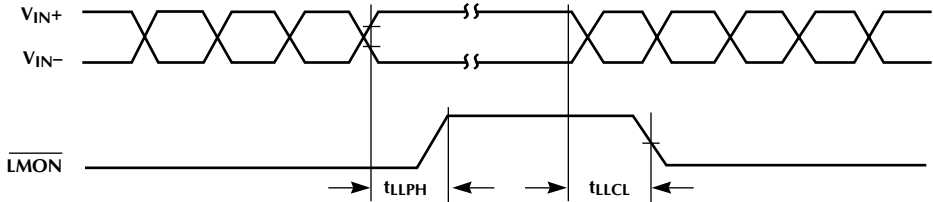
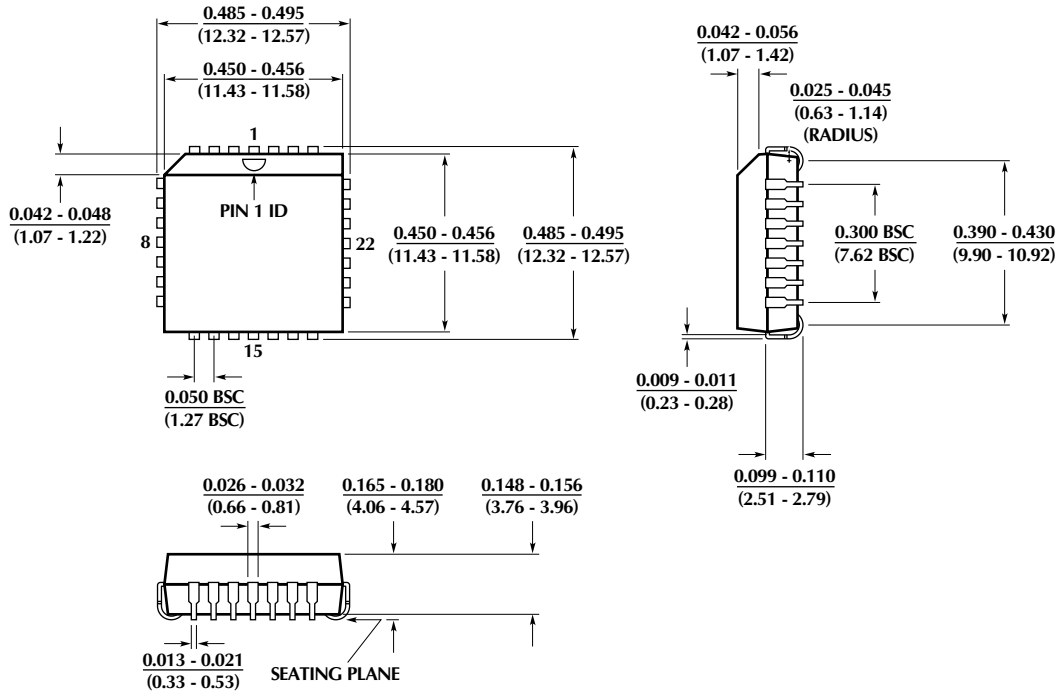


Figure 17. LED Timing

## PHYSICAL DIMENSIONS inches (millimeters)

Package: Q28  
28-Pin PLCC



## ORDERING INFORMATION

| PART NUMBER | TEMPERATURE | PACKAGE           |
|-------------|-------------|-------------------|
| ML4663CQ    | 0°C to 70°C | 28-Pin PLCC (Q28) |

© Micro Linear 1997. **Micro Linear** is a registered trademark of Micro Linear Corporation. Products described in this document may be covered by one or more of the following patents, U.S.: 4,897,611; 4,964,026; 5,027,116; 5,281,862; 5,283,483; 5,418,502; 5,508,570; 5,510,727; 5,523,940; 5,546,017; 5,559,470; 5,565,761; 5,592,128; 5,594,376; Japan: 2598946. Other patents are pending.

Micro Linear reserves the right to make changes to any product herein to improve reliability, function or design. Micro Linear does not assume any liability arising out of the application or use of any product described herein, neither does it convey any license under its patent right nor the rights of others. The circuits contained in this data sheet are offered as possible applications only. Micro Linear makes no warranties or representations as to whether the illustrated circuits infringe any intellectual property rights of others, and will accept no responsibility or liability for use of any application herein. The customer is urged to consult with appropriate legal counsel before deciding on a particular application.

2092 Concourse Drive  
San Jose, CA 95131  
Tel: 408/433-5200  
Fax: 408/432-0295