



REALTEK

ALC260/ALC260D Series

2 CHANNEL HIGH DEFINITION AUDIO CODEC

DATASHEET

Rev. 1.4
15 August 2005
Track ID: JATR-1076-21



Realtek Semiconductor Corp.

No. 2, Industry E. Rd. IX, Science-Based Industrial Park, Hsinchu 300, Taiwan

Tel: +886-3-5780211 Fax: +886-3-5776047

www.realtek.com.tw

COPYRIGHT

©2005 Realtek Semiconductor Corp. All rights reserved. No part of this document may be reproduced, transmitted, transcribed, stored in a retrieval system, or translated into any language in any form or by any means without the written permission of Realtek Semiconductor Corp.

DISCLAIMER

Realtek provides this document “as is”, without warranty of any kind, neither expressed nor implied, including, but not limited to, the particular purpose. Realtek may make improvements and/or changes in this document or in the product described in this document at any time. This document could include technical inaccuracies or typographical errors.

TRADEMARKS

Realtek is a trademark of Realtek Semiconductor Corporation. Other names mentioned in this document are trademarks/registered trademarks of their respective owners.

USING THIS DOCUMENT

This document is intended for the hardware and software engineer’s general information on the Realtek ALC260(D) audio codec chip.

Though every effort has been made to ensure that this document is current and accurate, more information may have become available subsequent to the production of this guide. In that event, please contact your Realtek representative for additional information that may help in the development process.

REVISION HISTORY

Revision	Release Date	Summary
1.0	2004/07/20	Preliminary release.
1.1	2004/09/29	First official release. Add HDA 1.0 compliant part number (Table 83, page 72).
1.2	2004/11/08	Updated to reflect modifications in ALC260, ALC260-VD, ALC260-VD-LF, ALC260-VE, ALC260-VE-LF. 1. Power-Off CD mode supported only in ALC260 & ALC260-LF. 2. Parameter ‘subsystem ID’ is read as 0s (Table 19, page 19). 3. Verb ‘subsystem verb’ is supported (Table 73, page 62, and Table 74, page 63).
1.3	2005/03/03	Add lead (Pb)-free and version package identification information on page 5 and in Table 83, on page 72. Add new versions with Dolby® Digital Live (see Table 83, page 72).
1.4	2005/08/15	Update section 9.1.1 Absolute Maximum Ratings, page 64 AVDD support range. Add a note to section 12 Ordering Information, page 72.

Table of Contents

1. GENERAL DESCRIPTION.....	1
2. FEATURES.....	2
2.1. HARDWARE FEATURES.....	2
2.2. SOFTWARE FEATURES.....	3
3. SYSTEM APPLICATIONS.....	3
4. BLOCK DIAGRAM.....	4
4.1. BLOCK DIAGRAM.....	4
4.2. ANALOG INPUT/OUTPUT UNIT.....	4
5. PIN ASSIGNMENTS.....	5
5.1. PACKAGE AND VERSION IDENTIFICATION.....	5
6. PIN DESCRIPTIONS.....	6
6.1. DIGITAL I/O PINS.....	6
6.2. ANALOG I/O PINS.....	6
6.3. FILTER/REFERENCE.....	7
6.4. POWER/GROUND.....	7
7. HIGH DEFINITION AUDIO LINK PROTOCOL.....	8
7.1. LINK SIGNALS.....	8
7.1.1. <i>Signal Definitions</i>	9
7.1.2. <i>Signaling Topology</i>	10
7.2. FRAME COMPOSITION.....	11
7.2.1. <i>Outbound Frame – Single SDO</i>	11
7.2.2. <i>Inbound Frame – Single SDI</i>	12
7.2.3. <i>Variable Sample Rates</i>	13
7.3. RESET AND INITIALIZATION.....	14
7.3.1. <i>Link Reset</i>	15
7.3.2. <i>Codec Reset</i>	16
7.3.3. <i>Codec Initialization Sequence</i>	16
7.4. VERB AND RESPONSE FORMAT.....	17
7.4.1. <i>Command Verb Format</i>	17
7.4.2. <i>Response Format</i>	17
7.5. POWER MANAGEMENT.....	18
8. SUPPORTED VERBS AND PARAMETERS.....	19
8.1. VERB – GET PARAMETERS (VERB ID=F00h).....	19
8.1.1. <i>Parameter – Vendor ID (Verb ID=F00h, Parameter ID=00h)</i>	19
8.1.2. <i>Parameter – Subsystem ID (Verb ID=F00h, Parameter ID=01h)</i>	19
8.1.3. <i>Parameter – Revision ID (Verb ID=F00h, Parameter ID=02h)</i>	20
8.1.4. <i>Parameter – Subordinate Node Count (Verb ID=F00h, Parameter ID=04h)</i>	20
8.1.5. <i>Parameter – Function Group Type (Verb ID=F00h, Parameter ID=05h)</i>	21
8.1.6. <i>Parameter – Audio Function Capabilities (Verb ID=F00h, Parameter ID=08h)</i>	21
8.1.7. <i>Parameter – Audio Widget Capabilities (Verb ID=F00h, Parameter ID=09h)</i>	22
8.1.8. <i>Parameter – Supported PCM Size, Rates (Verb ID=F00h, Parameter ID=0Ah)</i>	23
8.1.9. <i>Parameter – Supported Stream Formats (Verb ID=F00h, Parameter ID=0Bh)</i>	25
8.1.10. <i>Parameter – Pin Capabilities (Verb ID=F00h, Parameter ID=0Ch)</i>	25
8.1.11. <i>Parameter – Amplifier Capabilities (Verb ID=F00h, Input Amplifier Parameter ID=0Dh)</i>	26

8.1.12.	Parameter – Amplifier Capabilities (Verb ID=F00h, Output Amplifier Parameter ID=12h)	27
8.1.13.	Parameter – Connect List Length (Verb ID=F00h, Parameter ID=0Eh)	27
8.1.14.	Parameter – Supported Power States (Verb ID=F00h, Parameter ID=0Fh)	28
8.1.15.	Parameter – Processing Capabilities (Verb ID=F00h, Parameter ID=10h)	28
8.1.16.	Parameter – GPIO Capabilities (Verb ID=F00h, Parameter ID=11h)	29
8.1.17.	Parameter – Volume Knob Capabilities (Verb ID=F00h, Parameter ID=13h)	29
8.2.	VERB – GET CONNECTION SELECT CONTROL (VERB ID=F01H)	30
8.3.	VERB – SET CONNECTION SELECT (VERB ID=701H)	32
8.4.	VERB – GET CONNECTION LIST ENTRY (VERB ID=F02H)	32
8.5.	VERB – GET COEFFICIENT INDEX (VERB ID=DH)	38
8.6.	VERB – SET COEFFICIENT INDEX (VERB ID=5H)	38
8.7.	VERB – GET PROCESSING COEFFICIENT (VERB ID=CH)	39
8.8.	VERB – SET PROCESSING COEFFICIENT (VERB ID=4H)	39
8.9.	VERB – GET AMPLIFIER GAIN (VERB ID=BH)	40
8.10.	VERB – SET AMPLIFIER GAIN (VERB ID=3H)	42
8.11.	VERB – GET CONVERTER FORMAT (VERB ID=AH)	43
8.12.	VERB – SET CONVERTER FORMAT (VERB ID=2H)	44
8.13.	VERB – GET POWER STATE (VERB ID=F05H)	44
8.14.	VERB – SET POWER STATE (VERB ID=705H)	45
8.15.	VERB – GET CONVERTER STREAM, CHANNEL (VERB ID=F06H)	46
8.16.	VERB – SET CONVERTER STREAM, CHANNEL (VERB ID=706H)	46
8.17.	VERB – GET PIN WIDGET CONTROL (VERB ID=F07H)	47
8.18.	VERB – SET PIN WIDGET CONTROL (VERB ID=707H)	48
8.19.	VERB – GET UNSOLICITED RESPONSE CONTROL (VERB ID=F08H)	49
8.20.	VERB – SET UNSOLICITED RESPONSE CONTROL (VERB ID=708H)	50
8.21.	VERB – GET PIN SENSE (VERB ID=F09H)	50
8.22.	VERB – EXECUTE PIN SENSE (VERB ID=709H)	51
8.23.	VERB – GET CONFIGURATION DEFAULT (VERB ID=F1CH)	51
8.24.	VERB – SET CONFIGURATION DEFAULT BYTES 0 ~ 3 (VERB ID=71CH/71DH/71EH/71FH FOR BYTES 0 ~ 3)	52
8.25.	VERB – GET BEEP GENERATOR (VERB ID=F0AH)	52
8.26.	VERB – SET BEEP GENERATOR (VERB ID=70AH)	53
8.27.	VERB – GET GPIO DATA (VERB ID= F15H)	53
8.28.	VERB – SET GPIO DATA (VERB ID= 715H)	54
8.29.	VERB – GET GPIO ENABLE MASK (VERB ID= F16H)	54
8.30.	VERB – SET GPIO ENABLE MASK (VERB ID=716H)	55
8.31.	VERB – GET GPIO DIRECTION (VERB ID=F17H)	55
8.32.	VERB – SET GPIO DIRECTION (VERB ID=717H)	56
8.33.	VERB – GET GPIO UNSOLICITED RESPONSE ENABLE MASK (VERB ID=F19H)	56
8.34.	VERB – SET GPIO UNSOLICITED RESPONSE ENABLE MASK (VERB ID=719H)	57
8.35.	VERB – FUNCTION RESET (VERB ID=7FFH)	57
8.36.	VERB – GET DIGITAL CONVERTER CONTROL (VERB ID= F0DH)	58
8.37.	VERB – SET DIGITAL CONVERTER CONTROL 1 & CONTROL 2 (VERB ID=70DH, 70EH)	59
8.38.	VERB – GET/SET EAPD ENABLE (VERB ID= F0CH/70CH)	61
8.39.	GET/SET VOLUME KNOB WIDGET (NID=1BH) (VERB ID= F0FH/70FH)	62
8.40.	VERB – GET SUBSYSTEM ID [31:0] (VERB ID=F20H/F21H/F22H/F23H)	62
8.41.	VERB – SET SUBSYSTEM ID [31:0] (VERB ID=723H FOR [31:24], 722H FOR [23:16], 721H FOR [15:8], 720H FOR [7:0])	63
9.	CHARACTERISTICS	64
9.1.	DC CHARACTERISTICS	64
9.1.1.	Absolute Maximum Ratings	64
9.1.2.	Threshold Voltage	64
9.1.3.	Digital Filter Characteristics	65
9.1.4.	S/PDIF Input/Output Characteristics	65
9.2.	AC CHARACTERISTICS	66

9.2.1.	Link Reset and Initialization Timing	66
9.2.2.	Link Timing Parameters at the Codec	67
9.2.3.	S/PDIF Output and Input Timing	68
9.2.4.	Test Mode	68
9.3.	ANALOG PERFORMANCE	69
10.	APPLICATION CIRCUITS.....	70
11.	MECHANICAL DIMENSIONS	71
12.	ORDERING INFORMATION	72

List of Tables

TABLE 1.	DIGITAL I/O PINS	6
TABLE 2.	ANALOG I/O PINS.....	6
TABLE 3.	FILTER/REFERENCE.....	7
TABLE 4.	POWER/GROUND	7
TABLE 5.	LINK SIGNAL DEFINITIONS.....	9
TABLE 6.	HDA SIGNAL DEFINITIONS	9
TABLE 7.	DEFINED SAMPLE RATE AND TRANSMISSION RATE	13
TABLE 8.	48kHz VARIABLE RATE OF DELIVERY TIMING	13
TABLE 9.	44.1kHz VARIABLE RATE OF DELIVERY TIMING	14
TABLE 10.	40-BIT COMMANDS IN 4-BIT VERB FORMAT	17
TABLE 11.	40-BIT COMMANDS IN 12-BIT VERB FORMAT	17
TABLE 12.	SOLICITED RESPONSE FORMAT	17
TABLE 13.	UNSOLICITED RESPONSE FORMAT	17
TABLE 14.	SYSTEM POWER STATE DEFINITIONS.....	18
TABLE 15.	POWER CONTROLS IN NID IS 01H, 02H~05H, 07H~09H	18
TABLE 16.	POWERED DOWN CONDITIONS.....	18
TABLE 17.	VERB – GET PARAMETERS (VERB ID=F00H).....	19
TABLE 18.	PARAMETER – VENDOR ID (VERB ID=F00H, PARAMETER ID=00H)	19
TABLE 19.	PARAMETER – SUBSYSTEM ID (VERB ID=F00H, PARAMETER ID=01H).....	19
TABLE 20.	PARAMETER – REVISION ID (VERB ID=F00H, PARAMETER ID=02H).....	20
TABLE 21.	PARAMETER – SUBORDINATE NODE COUNT (VERB ID=F00H, PARAMETER ID=04H).....	20
TABLE 22.	PARAMETER – FUNCTION GROUP TYPE (VERB ID=F00H, PARAMETER ID=05H)	21
TABLE 23.	PARAMETER – AUDIO FUNCTION CAPABILITIES (VERB ID=F00H, PARAMETER ID=08H)	21
TABLE 24.	PARAMETER – AUDIO WIDGET CAPABILITIES (VERB ID=F00H, PARAMETER ID=09H).....	22
TABLE 25.	PARAMETER – SUPPORTED PCM SIZE, RATES (VERB ID=F00H, PARAMETER ID=0AH)	23
TABLE 26.	PARAMETER – SUPPORTED STREAM FORMATS (VERB ID=F00H, PARAMETER ID=0BH)	25
TABLE 27.	PARAMETER – PIN CAPABILITIES (VERB ID=F00H, PARAMETER ID=0CH)	25
TABLE 28.	PARAMETER – AMPLIFIER CAPABILITIES (VERB ID=F00H, INPUT AMP PARAMETER ID=0DH).....	26
TABLE 29.	PARAMETER – AMPLIFIER CAPABILITIES (VERB ID=F00H, OUTPUT AMP PARAMETER ID=12H).....	27
TABLE 30.	PARAMETER – CONNECT LIST LENGTH (VERB ID=F00H, PARAMETER ID=0EH)	27
TABLE 31.	PARAMETER – SUPPORTED POWER STATES (VERB ID=F00H, PARAMETER ID=0FH)	28
TABLE 32.	PARAMETER – PROCESSING CAPABILITIES (VERB ID=F00H, PARAMETER ID=10H).....	28
TABLE 33.	PARAMETER – GPIO CAPABILITIES (VERB ID=F00H, PARAMETER ID=11H)	29
TABLE 34.	PARAMETER – VOLUME KNOB CAPABILITIES (VERB ID=F00H, PARAMETER ID=13H).....	29
TABLE 35.	VERB – GET CONNECTION SELECT CONTROL (VERB ID=F01H).....	30

TABLE 36. VERB – SET CONNECTION SELECT (VERB ID=701H).....	32
TABLE 37. VERB – GET CONNECTION LIST ENTRY (VERB ID=F02H).....	32
TABLE 38. VERB – GET COEFFICIENT INDEX (VERB ID=DH).....	38
TABLE 39. VERB – SET COEFFICIENT INDEX (VERB ID=5H).....	38
TABLE 40. VERB – GET PROCESSING COEFFICIENT (VERB ID=CH).....	39
TABLE 41. VERB – SET PROCESSING COEFFICIENT (VERB ID=4H).....	39
TABLE 42. VERB – GET AMPLIFIER GAIN (VERB ID=BH).....	40
TABLE 43. VERB – SET AMPLIFIER GAIN (VERB ID=3H).....	42
TABLE 44. VERB – GET CONVERTER FORMAT (VERB ID=AH).....	43
TABLE 45. VERB – SET CONVERTER FORMAT (VERB ID=2H).....	44
TABLE 46. VERB – GET POWER STATE (VERB ID=F05H).....	44
TABLE 47. VERB – SET POWER STATE (VERB ID=705H).....	45
TABLE 48. VERB – GET CONVERTER STREAM, CHANNEL (VERB ID=F06H).....	46
TABLE 49. VERB – SET CONVERTER STREAM, CHANNEL (VERB ID=706H).....	46
TABLE 50. VERB – GET PIN WIDGET CONTROL (VERB ID=F07H).....	47
TABLE 51. VERB – SET PIN WIDGET CONTROL (VERB ID=707H).....	48
TABLE 52. VERB – GET UNSOLICITED RESPONSE CONTROL (VERB ID=F08H).....	49
TABLE 53. VERB – SET UNSOLICITED RESPONSE CONTROL (VERB ID=708H).....	50
TABLE 54. VERB – GET PIN SENSE (VERB ID=F09H).....	50
TABLE 55. VERB – EXECUTE PIN SENSE (VERB ID=709H).....	51
TABLE 56. VERB – GET CONFIGURATION DEFAULT (VERB ID=F1CH).....	51
TABLE 57. VERB – SET CONFIGURATION DEFAULT BYTES 0 ~ 3 (VERB ID=71CH/71DH/71EH/71FH FOR BYTES 0 ~ 3).....	52
TABLE 58. VERB – GET BEEP GENERATOR (VERB ID= F0AH).....	52
TABLE 59. VERB – SET BEEP GENERATOR (VERB ID= 70AH).....	53
TABLE 60. VERB – GET GPIO DATA (VERB ID= F15H).....	53
TABLE 61. VERB – SET GPIO DATA (VERB ID= 715H).....	54
TABLE 62. VERB – GET GPIO ENABLE MASK (VERB ID= F16H).....	54
TABLE 63. VERB – SET GPIO ENABLE MASK (VERB ID=716H).....	55
TABLE 64. VERB – GET GPIO DIRECTION (VERB ID=F17H).....	55
TABLE 65. VERB – SET GPIO DIRECTION (VERB ID=717H).....	56
TABLE 66. VERB – GET GPIO UNSOLICITED RESPONSE ENABLE MASK (VERB ID=F19H).....	56
TABLE 67. VERB – SET GPIO UNSOLICITED RESPONSE ENABLE MASK (VERB ID=719H).....	57
TABLE 68. VERB – FUNCTION RESET (VERB ID=7FFH).....	57
TABLE 69. VERB – GET DIGITAL CONVERTER CONTROL (VERB ID= F0DH).....	58
TABLE 70. VERB – SET DIGITAL CONVERTER CONTROL 1 & CONTROL 2 (VERB ID=70DH, 70EH).....	59
TABLE 71. VERB – GET/SET EAPD ENABLE (VERB ID= F0CH/70CH).....	61
TABLE 72. GET/SET VOLUME KNOB WIDGET (NID=21H) (VERB ID= F0FH/70FH).....	62
TABLE 73. VERB – GET SUBSYSTEM ID [31:0] (VERB ID=F20H/F21H/F22H/F23H).....	62
TABLE 74. VERB – SET SUBSYSTEM ID [31:0] (VERB ID=723H FOR [31:24], 722H FOR [23:16], 721H FOR [15:8], 720H FOR [7:0]).....	63
TABLE 75. ABSOLUTE MAXIMUM RATINGS.....	64
TABLE 76. THRESHOLD VOLTAGE.....	64
TABLE 77. DIGITAL FILTER CHARACTERISTICS.....	65
TABLE 78. S/PDIF INPUT/OUTPUT CHARACTERISTICS.....	65
TABLE 79. LINK RESET AND INITIALIZATION TIMING.....	66
TABLE 80. LINK TIMING PARAMETERS AT THE CODEC.....	67
TABLE 81. S/PDIF OUTPUT AND INPUT TIMING.....	68
TABLE 82. ANALOG PERFORMANCE.....	69
TABLE 83. ORDERING INFORMATION.....	72

List of Figures

FIGURE 1. BLOCK DIAGRAM.....	4
FIGURE 2. ANALOG INPUT/OUTPUT UNIT.....	4
FIGURE 3. PIN ASSIGNMENTS.....	5
FIGURE 4. HDA LINK PROTOCOL.....	8
FIGURE 5. BIT TIMING.....	9
FIGURE 6. SIGNALING TOPOLOGY.....	10
FIGURE 7. SDO OUTBOUND FRAME.....	11
FIGURE 8. SDO STREAM TAG IS INDICATED IN SYNC.....	11
FIGURE 9. SDI INBOUND STREAM.....	12
FIGURE 10. SDI STREAM TAG AND DATA.....	12
FIGURE 11. LINK RESET TIMING.....	15
FIGURE 12. CODEC INITIALIZATION SEQUENCE.....	16
FIGURE 13. LINK RESET AND INITIALIZATION TIMING.....	66
FIGURE 14. LINK SIGNALS TIMING.....	67
FIGURE 15. INPUT AND OUTPUT TIMING.....	68

1. General Description

The ALC260 and ALC260D* 2-Channel High Definition Audio (HDA) Codecs with UAA (Universal Audio Architecture), featuring a 24-bit two-channel DAC and two stereo 20-bit ADCs, are designed for commercial Desktop and Notebook PC systems. The codecs incorporate proprietary converter technology to achieve 95dB sound quality; easily meeting PC2001 requirements and also bringing PC sound quality closer to consumer electronic devices.

The ALC260(D) provides 2 output channels, along with flexible mixing, mute, and fine gain control functions to provide a complete integrated audio solution for PCs. The DAC (with a highest sampling frequency of 192kHz) was previously only implemented in high-end consumer electronics, but is now achieved by PCs equipped with the ALC260(D). The ALC260(D) provides high-quality audio using S/PDIF to output analog data, or for multiple-source recording applications.

Realtek's proprietary impedance sensing and jack detect techniques allow device loads on inputs and outputs to be auto-detected. All analog IO are input and output capable, headphone amplifiers are also integrated at each analog output. All analog IOs can be re-tasked according to user's definitions, or automatically switched depending on the connected device type (Universal Audio Jack[®]).

The ALC260(D) supports 32-bit S/PDIF input and output functions and a sampling rate of up to 96kHz, offering easy connection of PCs to high-quality consumer electronic products such as AC-3 decoders/speakers, and mini disk devices.

The ALC260(D) supports host/soft audio from the Intel ICH6 chipset, and also from any other HDA compatible audio controller. With power management setting, Realtek's unique microphone application (AEC/Beam Forming/Noise Suppression), optional Dolby[®] Digital Live, and reliable driver support, the ALC260(D) is the ideal choice for Commercial Desktop and Notebook PC users.

Note: 'D' directly after ALC260 indicates Dolby[®] Digital Live (software feature). See Table 83, page 72.

2. Features

2.1. *Hardware Features*

- Single-chip multi-bit Sigma-Delta converters with high S/N ratio
- 1 stereo DAC supports 16/20/24-bit PCM format with 44.1/48/96/192kHz sample rate
- 2 stereo ADCs support 16/20-bit PCM format with 44.1/48/96kHz sample rate
- Applicable for 2-Channel 192kHz DVD-Audio solutions
- LINE-OUT, HP-OUT, LINE1, LINE2, MIC1, and MIC2 are stereo input and output re-tasking
- MONO line level output to subwoofer speaker for 2.1 channel applications
- High-quality differential CD analog input
- External PCBEEP input is applicable, and internal BEEP generator is integrated
- Power-Off CD mode supported (Only in ALC260 & ALC260-LF)
- Power management and enhanced power saving features
- Power support: Digital: 3.3V; Analog: 3.8V/5.0V
- Selectable 2.5V/3.75V VREFOUT
- Two jack detection pins (each designed to detect 4 jacks)
- Supports 44.1/48/96/192kHz S/PDIF output
- Supports 44.1/48/96kHz S/PDIF input
- 48-pin LQFP packages (lead (Pb)-free packages also available)
- Supports external volume knob control
- External PCBEEP Pass-Through when link is in RESET state (Not supported in the ALC260(D)-VE and ALC260(D)-VE-LF)
- Reserve analog mixer architecture is backwards compatible with AC'97
- -64dB ~ +30dB with 1dB mixer gain resolution for finer volume control
- Impedance sensing capability for each re-tasking jack
- Built-in headphone amplifier for each re-tasking jack
- Supports external volume knob control
- Supports GPIO (General Purpose Input/Output) for customized applications

2.2. Software Features

- Meets Microsoft WHQL/WLP 2.0 audio requirements
- EAX™ 1.0 & 2.0 compatible
- Direct Sound 3D™ compatible
- A3D™ compatible
- I3DL2 compatible
- HRTF 3D Positional Audio
- Emulation of 26 sound environments to enhance gaming experience
- 10-band Software Equalizer
- Voice Cancellation and Key Shifting in Karaoke mode
- Realtek Media Player
- Enhanced Configuration Panel and device sensing wizard to improve user experience
- Content Copy Protection for S/PDIF interface
- Power Management setting
- Microphone Acoustic Echo Cancellation (AEC) and Beam Forming (BF) technology for voice application
- Mono/Stereo Microphone Noise Suppression
- ALC260D, ALC260D-LF, ALC260D-VE, and ALC260D-VE-LF feature Dolby® Digital Live

3. System Applications

- Multimedia PCs
- 3D PC Games
- Information Appliances (IA)
- Voice Recognition
- Audio Conferencing

4. Block Diagram

4.1. Block Diagram

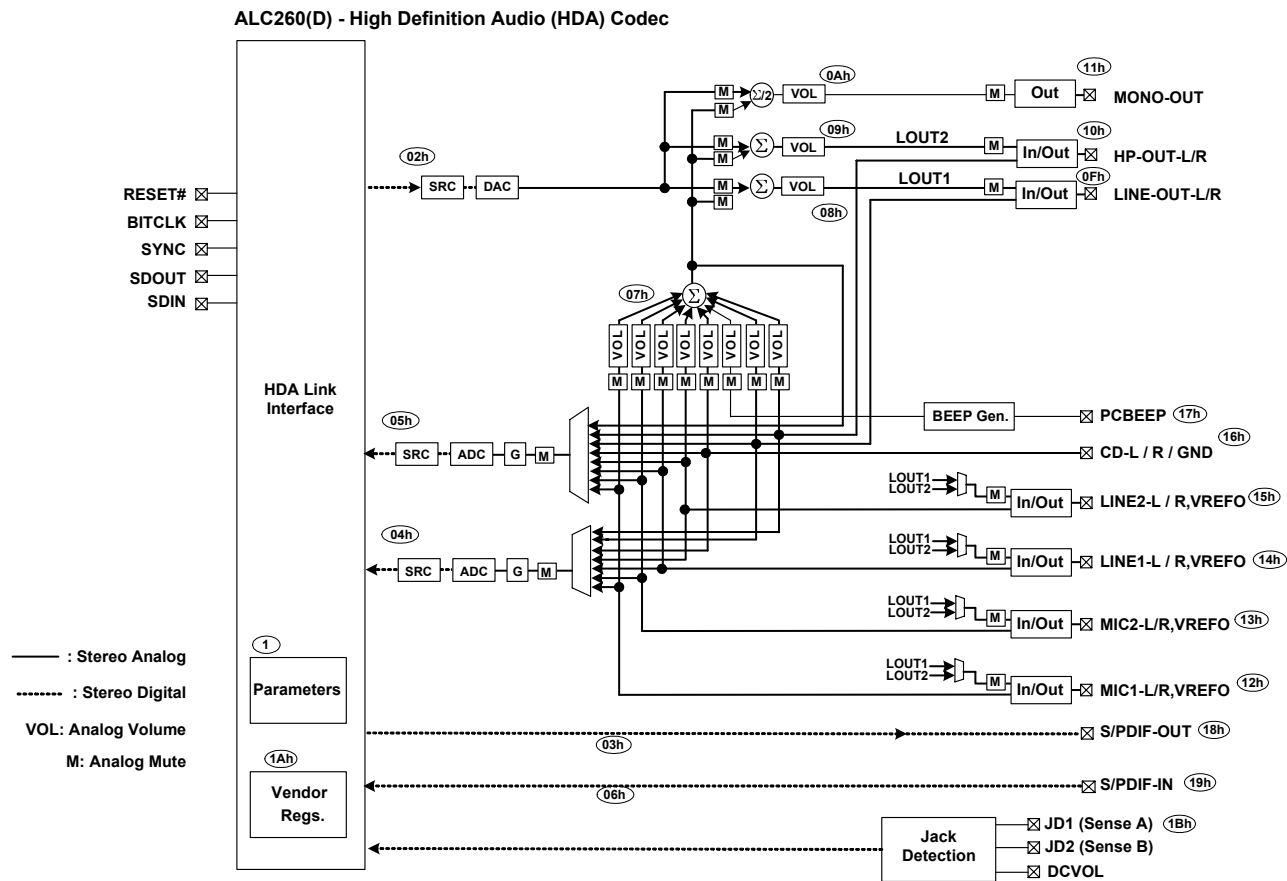


Figure 1. Block Diagram

4.2. Analog Input/Output Unit

Pin complex widgets NID=0Fh, 10h, 12h, 13h, 14h, and 15h are re-tasking IOs.

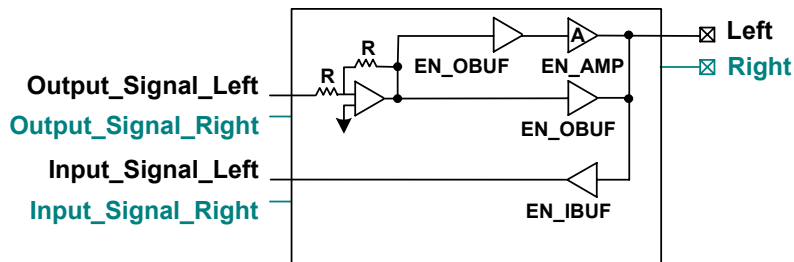


Figure 2. Analog Input/Output Unit

5. Pin Assignments

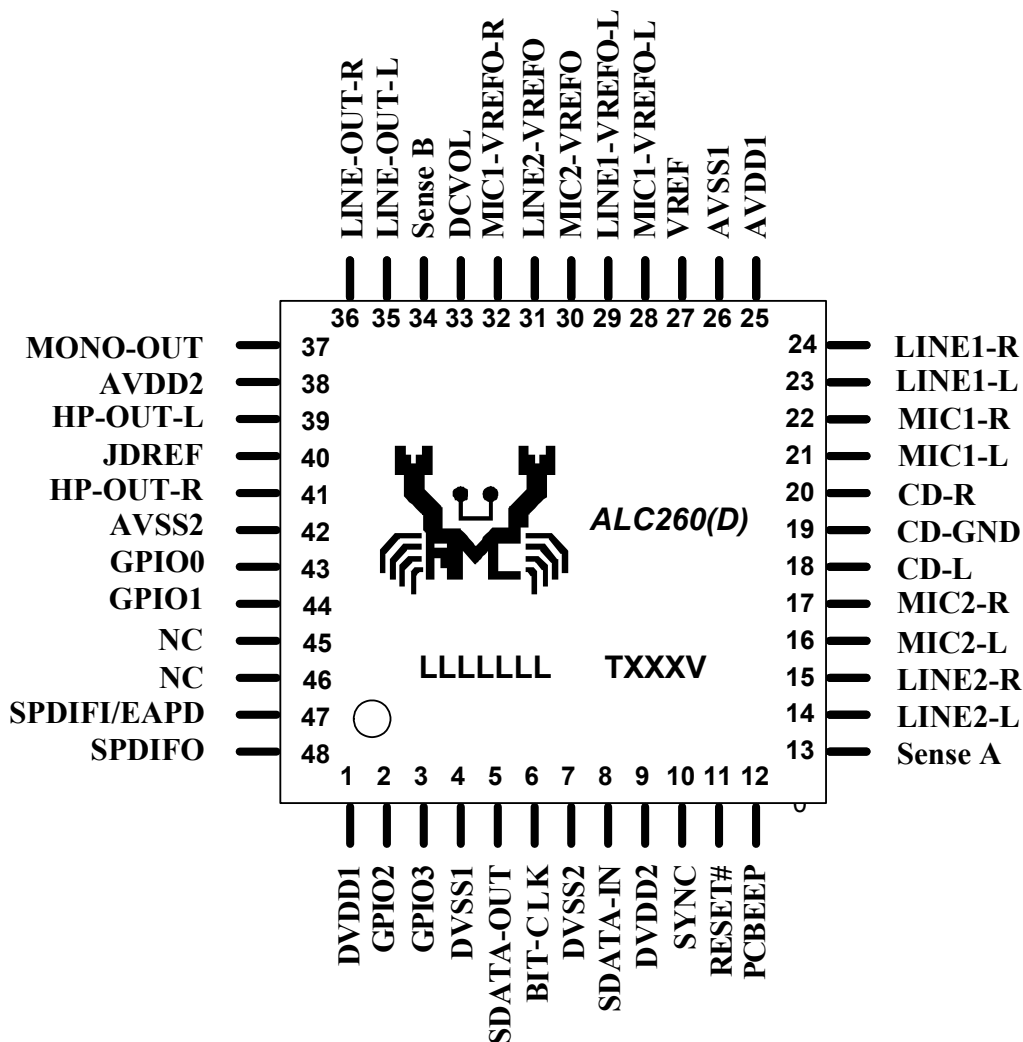


Figure 3. Pin Assignments

Note: JDREF is used to calibrate reference current for jack detection.

5.1. Package and Version Identification

Lead (Pb)-free package is indicated by an 'L' in the location marked 'T' in Figure 3. The version number is shown in the location marked 'V'.

6. Pin Descriptions

6.1. Digital I/O Pins

Table 1. Digital I/O Pins

Name	Type	Pin #	Description	Characteristic Definition
RESET#	I	11	H/W reset	Schmitt trigger input, $V_{IL}=1.0V$, $V_{IH}=2.0V$
SYNC	I	10	Sample Sync (48kHz)	Schmitt trigger input, $V_{IL}=1.0V$, $V_{IH}=2.0V$
BITCLK	I	6	24MHz Bit clock input	Schmitt trigger input, $V_{IL}=1.0V$, $V_{IH}=2.0V$
SDATA-OUT	I	5	Serial TDM data input	Schmitt trigger input, $V_{IL}=1.0V$, $V_{IH}=2.0V$
SDATA-IN	O	8	Serial TDM data output	Schmitt output, $V_{OH}=0.9*DVDD$, $V_{OL}=0.1*DVDD$
SPDIFI / EAPD	I/O	47	S/PDIF Input/Signal to power down external amp	Schmitt input ($V_{IL}=1.45V$, $V_{IH}=1.85V$)/TTL output
SPDIFO	O	48	S/PDIF Output	TTL output has 12 mA@75Ω driving capability.
GPIO0	I/O	43	General Purpose Input/Output 0	Schmitt input/output, $V_{IL}=1.45V$, $V_{IH}=1.85V$
GPIO1	I/O	44	General Purpose Input/Output 1	Schmitt input/output, $V_{IL}=1.45V$, $V_{IH}=1.85V$
GPIO2	I/O	2	General Purpose Input/Output 2	Schmitt input/output, $V_{IL}=1.45V$, $V_{IH}=1.85V$
GPIO3	I/O	3	General Purpose Input/Output 3	Schmitt input/output, $V_{IL}=1.45V$, $V_{IH}=1.85V$
				Total: 11 Pins

6.2. Analog I/O Pins

Table 2. Analog I/O Pins

Name	Type	Pin #	Description	Characteristic Definition
PCBEEP	I	12	External PCBEEP input	Analog input. 1.6Vrms of full scale input
LINE2-L	IO	14	2 nd line input left channel	Analog input/output. Default is input (JACK-E)
LINE2-R	IO	15	2 nd line input right channel	Analog input/output. Default is input (JACK -E)
MIC2-L	IO	16	2 nd stereo microphone input left channel	Analog input/output. Default is input (JACK -F)
MIC2-R	IO	17	2 nd stereo microphone input right channel	Analog input/output. Default is input (JACK -F)
CD-L	I	18	CD input left channel	Analog input. 1.6Vrms of full scale input
CD-G	I	19	CD input reference ground	Analog input. 1.6Vrms of full scale input
CD-R	I	20	CD input right channel	Analog input. 1.6Vrms of full scale input
MIC1-L	IO	21	1 st stereo microphone input left channel	Analog input/output. Default is input (JACK -B)
MIC1-R	IO	22	1 st stereo microphone input right channel	Analog input/output. Default is input (JACK -B)
LINE1-L	IO	23	1 st line input left channel	Analog input/output. Default is input (JACK -C)
LINE1-R	IO	24	1 st line input right channel	Analog input/output. Default is input (JACK -C)

Name	Type	Pin #	Description	Characteristic Definition
LINE-OUT-L	IO	35	Secondary out left channel	Analog output (JACK -D)
LINE-OUT-R	IO	36	Secondary out right channel	Analog output (JACK -D)
HP-OUT-L	IO	39	First out left channel	Analog output (JACK -A)
HP-OUT-R	IO	41	First out right channel	Analog output (JACK -A)
MONO-OUT	O	37	MONO output	Analog mono output is summation of (L+R)/2.
Sense A	I	13	Jack Detect pin 1	Analog DC input from 0V~5.0V
Sense B	I	34	Jack Detect pin 2	Analog DC input from 0V~5.0V
DCVOL	I	33	DC sense for volume control	Analog DC input from 0V~5.0V
				Total: 20 Pins

6.3. Filter/Reference

Table 3. Filter/Reference

Name	Type	Pin #	Description	Characteristic Definition
VREF	-	27	2.5V Reference voltage	1uf capacitor to analog ground
MIC1-VREFO-L	O	28	Bias voltage for MIC1 jack	2.5V/3.75Vreference voltage
LINE1-VREFO	O	29	Bias voltage for LINE1 jack	2.5V/3.75Vreference voltage
MIC2-VREFO	O	30	Bias voltage for MIC2 jack	2.5V/3.75Vreference voltage
LINE2-VREFO	O	31	Bias voltage for LINE2 jack	2.5V/3.75Vreference voltage
MIC1-VREFO-R	O	32	Bias voltage for MIC1 jack	2.5V/3.75Vreference voltage
JDREF	I	40	Jack detect reference resistor	20K, 1% ohm resistor to analog ground
				Total: 7 Pins

6.4. Power/Ground

Table 4. Power/Ground

Name	Type	Pin #	Description	Characteristic Definition
AVDD1	I	25	Analog power	Analog power for mixer and amplifier
AVSS1	I	26	Analog GND	Analog ground for mixer and amplifier
AVDD2	I	38	Analog power	Analog power for DACs and ADCs
AVSS2	I	42	Analog GND	Analog ground for DACs and ADCs
DVDD1	I	1	Digital VDD (3.3V)	Digital power
DVSS1	I	4	Digital GND	Digital ground
DVDD2	I	9	Digital VDD (3.3V)	Digital power
DVSS2	I	7	Digital GND	Digital ground
				Total: 8 Pins

7. High Definition Audio Link Protocol

7.1. Link Signals

The High Definition Audio (HDA) Link is the digital serial interface that connects the HDA codecs to the HDA Controller. The HDA link protocol is controller synchronous, based on a 24.0MHz BIT-CLK sent by the HDA controller. The input and output streams, including command and PCM data, are isochronous with a 48kHz frame rate. Figure 4 shows the basic concept of the HDA link protocol.

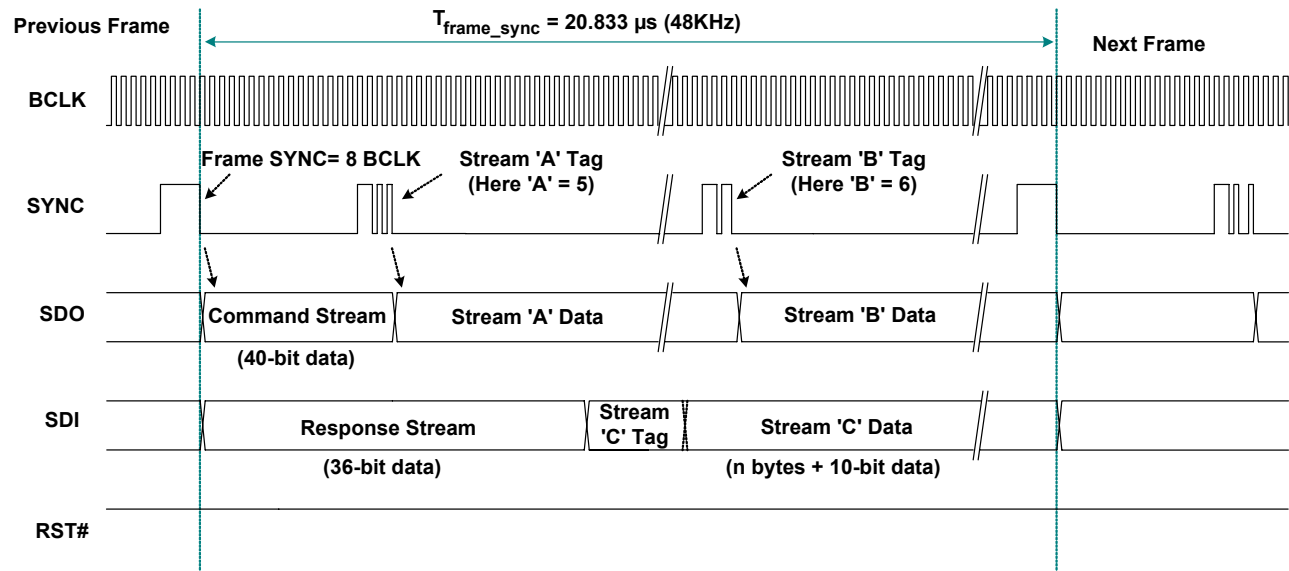


Figure 4. HDA Link Protocol

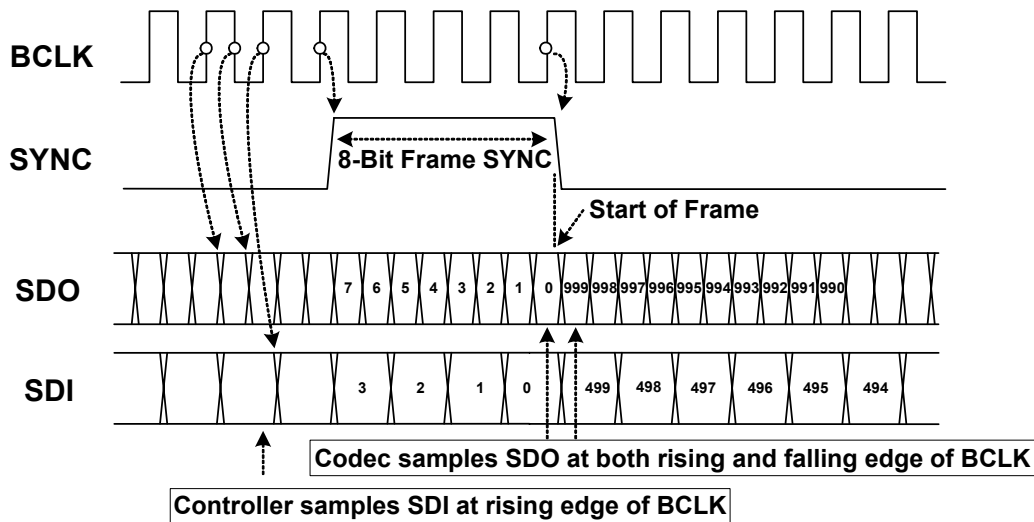
7.1.1. Signal Definitions

Table 5. Link Signal Definitions

Item	Description
BCLK	24.0MHz bit-clock sourced from the HDA controller and connecting to all codecs.
SYNC	48kHz signal is used to synchronize input and output streams on the link. It is sourced from the HDA controller and connects to all codecs.
SDO	Serial data output signal driven by the HDA controller to all codecs. Commands and data streams are carried on SDO. The data rate is double pumped; the controller drives data onto the SDO, the codec samples data present on SDO with respect to each edge of BCLK. The HDA controller must support at least one SDO. To extend outbound bandwidth, multiple SDOs may be supported.
SDI	Serial data input signal driven by the codec. This is point-to-point serial data from the codec to the HDA controller. The controller must support at least one SDI. Up to a maximum of 15 SDI's can be supported. SDI is driven by the codec at each rising edge of BCLK, and sampled by the controller at each rising edge of BCLK. SDI can be driven by the controller to initialize the codec's ID.
RST#	Active low reset signal. Asserted to reset the codec to default power on state. RST# is sourced from the HDA controller and connects to all codecs.

Table 6. HDA Signal Definitions

Signal Name	Source	Type for Controller	Description
BCLK	Controller	Output	Global 24.0MHz bit clock.
SYNC	Controller	Output	Global 48kHz Frame Sync and outbound tag signal.
SDO	Controller	Output	Serial data output from controller.
SDI	Codec/Controller	Input/Output	Serial data input from codec. Weakly pulled down by the controller.
RST#	Controller	Output	Global active low reset signal.


Figure 5. Bit Timing

7.1.2. Signaling Topology

The HDA controller supports two SDOs for the outbound stream, up to 15 SDIs for the inbound stream. RST#, BCLK, SYNC, SDO0 and SDO1 are driven by the controller to codecs. Each codec drives its own point-to-point SDI signal(s) to the controller.

Figure 6 shows the possible connections between the HDA controller and codecs:

1. Codec 0 is a basic connection. There is one single SDO and one single SDI for normal transmission
2. Codec 1 has two SDOs for doubled outbound rate, a single SDI for normal inbound rate
3. Codec 3 supports a single SDO for normal outbound rate, and two SDIs for doubled inbound rate
4. Codec N has two SDOs and multiple SDIs

The multiple SDOs and multiple SDIs are used to expand the transmission rate between controller and codecs. The following section 'Frame Composition', describes the detailed outbound and inbound stream compositions for single and multiple SDOs/SDIs.

The connections shown in Figure 6 can be implemented concurrently in an HDA system. The ALC260(D) is designed to receive a single SDO stream.

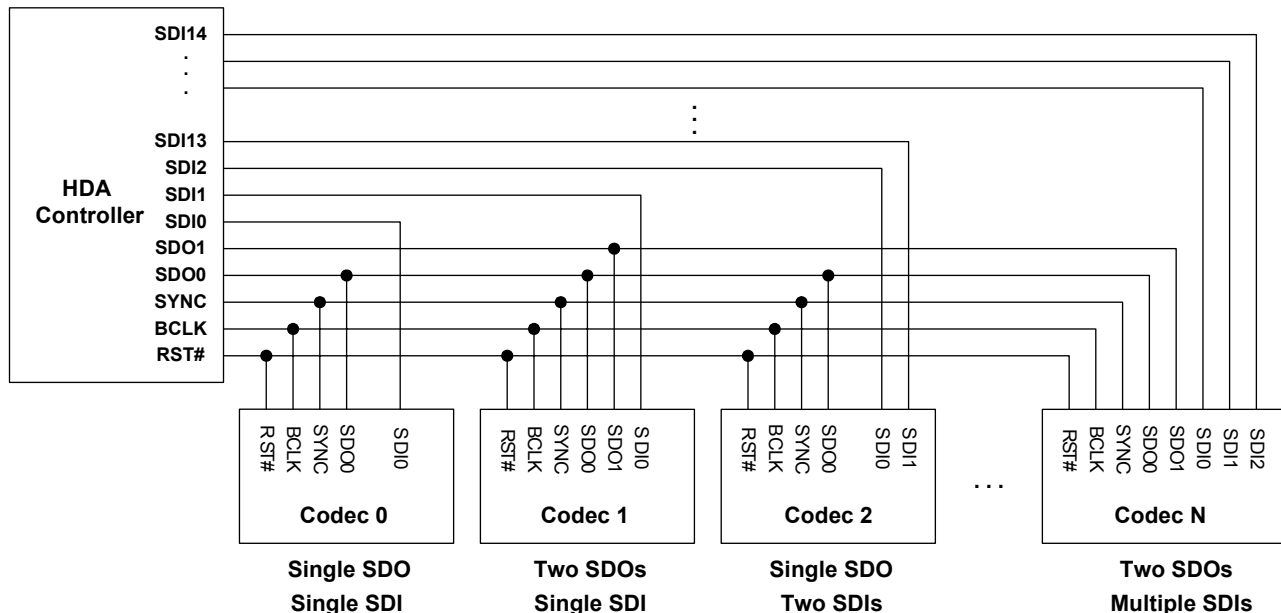


Figure 6. Signaling Topology

7.2. Frame Composition

7.2.1. Outbound Frame – Single SDO

An outbound frame is composed of one 32-bit command stream and multiple data streams. There are one or multiple sample blocks in a data stream. Only one sample block exists in a stream if the HDA controller delivers a 48kHz rate of samples to the codec. Multiple sample blocks in a stream means the sample rate is a multiple of 48kHz. This means there should be 2 blocks in the same stream to carry 96kHz samples (Figure 7).

For outbound frames, the stream tag is not in SDO, but in the SYNC signal. A new data stream is started at the end of the stream tag. The stream tag includes a 4-bit preamble and 4-bit stream ID (Figure 8).

To keep the cadence of converters bound to the same stream, samples for these converters must be placed in the same block.

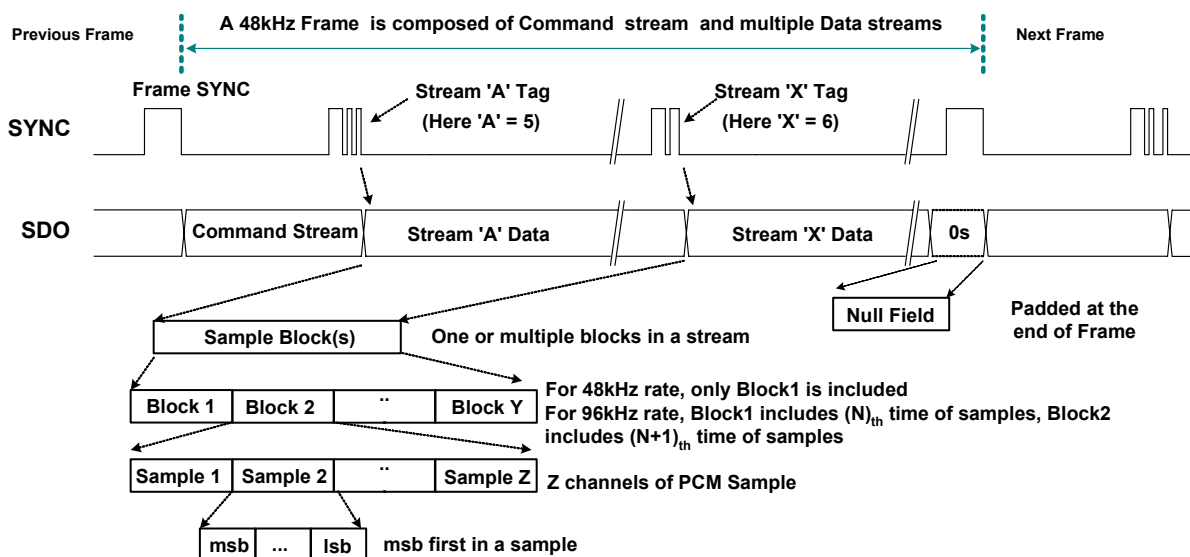


Figure 7. SDO Outbound Frame

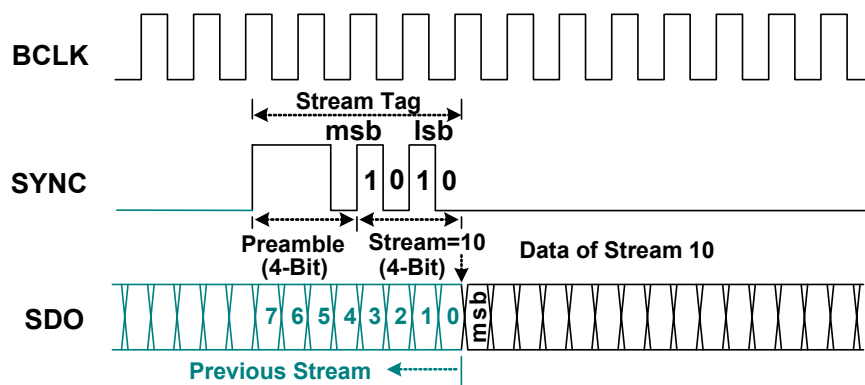


Figure 8. SDO Stream Tag is Indicated in SYNC

7.2.2. Inbound Frame – Single SDI

An Inbound Frame – Single SDI is composed of one 36-bit response stream and multiple data streams. Except for the initialization sequence (turnaround and address frame), SDI is driven by the codec at each rising edge of BCLK. The controller also samples data at the rising edge of BCLK (Figure 9).

The SDI stream tag is not carried by SYNC, but included in the SDI. A complete SDI data stream includes one 4-bit stream tag, one 6-bit data length, and n-bit sample blocks. Zeros will be padded if the total length of the contiguous sample blocks within a given stream is not of integral byte length (Figure 10).

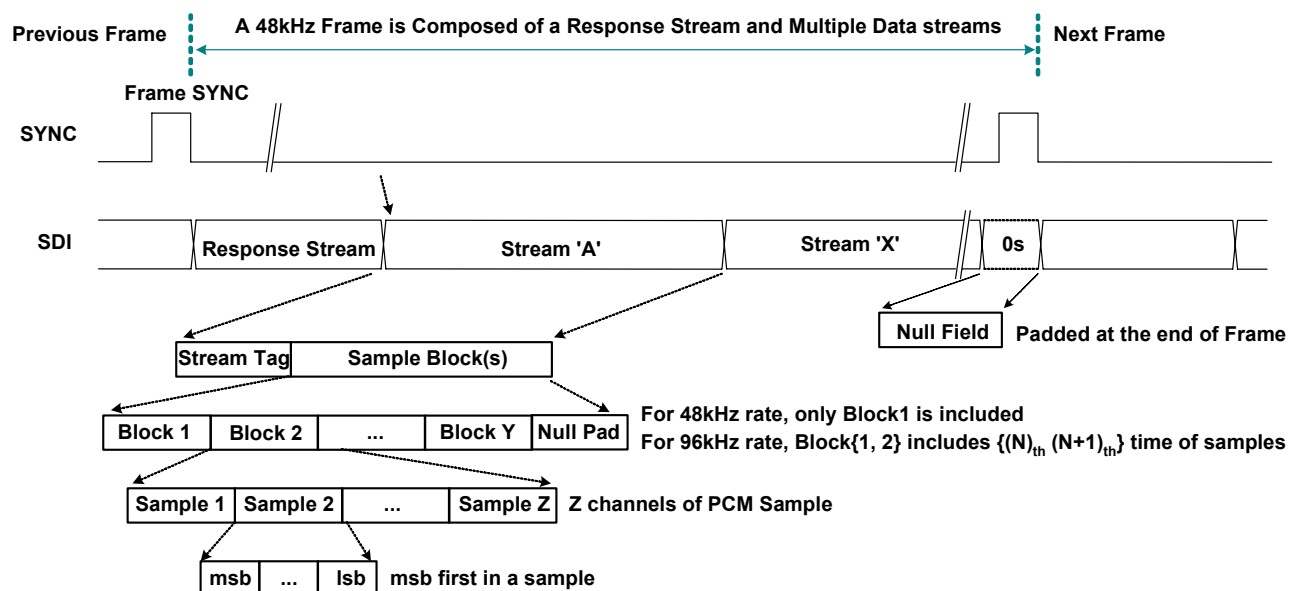


Figure 9. SDI Inbound Stream

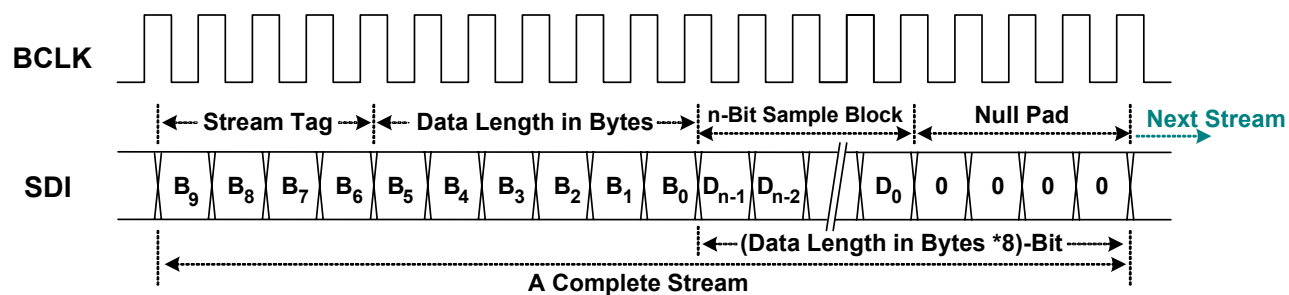


Figure 10. SDI Stream Tag and Data

7.2.3. Variable Sample Rates

The HDA link is designed for sample rates of 48kHz. Variable sample rates are delivered in multiple or sub-multiple rates of 48kHz. Two sample blocks per frame result in a 96kHz delivery rate. One sample block over two frames results in a 24kHz delivery rate. The HDA specification states that the sample rate of the outbound stream be synchronized by the controller, not by the codec. Each stream has its own sample rate, independent of any other stream.

The HDA controller supports 48kHz and 44.1kHz base rates. Table 7 shows the recommended sample rates based on multiples or sub-multiples of one of the two base rates.

Rates in sub-multiples (1/n) of 48kHz are interleaving n frames containing no sample blocks. Rates in multiples (n) of 48kHz contain n sample blocks in a frame. Table 8 shows the delivery cadence of variable rates based on 48kHz.

The HDA link is defined to operate at a fixed 48kHz frame rate. To deliver samples in (sub) multiple rates of 44.1kHz, an appropriate ratio between 44.1kHz and 48kHz must be maintained to avoid frequency drift. The appropriate ratio between 44.1kHz and 48kHz is 147/160. Meaning 147 sample blocks are transmitted every 160 frames.

The cadence ‘12-11-11-12-11-11-12-11-11-12-11-11-11- (repeat)’, interleaves 13 frames containing no sample blocks in every 160 frames. It provides a low long-term frequency drift for 44.1kHz of delivery rate. Rates in sub-multiples (1/n) of 44.1kHz also follow this cadence AND interleave n empty frames. Rates in multiples (n) of 44.1kHz applying this cadence contain n sample blocks in the non-empty frame AND interleave an empty frame between non-empty frames (Table 9, page 14).

Table 7. Defined Sample Rate and Transmission Rate

(Sub) Multiple	48kHz Base	44.1kHz Base
1/6	8kHz (1 sample block every 6 frames)	
1/4	12kHz (1 sample block every 4 frames)	11.025kHz (1 sample block every 4 frames)
1/3	16kHz (1 sample block every 3 frames)	
1/2	24kHz (1 sample block every 2 frames)	22.05kHz (1 sample block every 2 frames)
2/3	32kHz (2 sample blocks every 3 frames)	
1	48kHz (1 sample block per frame)	44.1kHz (1 sample block per frame)
2	96kHz (2 sample blocks per frame)	88.2kHz (2 sample blocks per frame)
4	192kHz (4 sample blocks per frame)	176.4kHz (4 sample blocks per frame)

Table 8. 48kHz Variable Rate of Delivery Timing

Rate	Delivery Cadence	Description
8kHz	YNNNNN (repeat)	One sample block is transmitted every 6 frames
12kHz	YNNN (repeat)	One sample block is transmitted every 4 frames
16kHz	YNN (repeat)	One sample block is transmitted every 3 frames
32kHz	Y ² NN (repeat)	One sample block is transmitted every 6 frames
48kHz	Y (repeat)	One sample block is transmitted every 6 frames
96kHz	Y ² (repeat)	Two sample blocks are transmitted in each frame
192kHz	Y ⁴ (repeat)	Four sample blocks are transmitted in each frame

N: No sample block in a frame

Y: One sample block in a frame

Y^x: X sample blocks in a frame

Table 9. 44.1kHz Variable Rate of Delivery Timing

Rate	Delivery Cadence
11.025kHz	{12}{-}{11}{-}{11}{-}{12}{-}{11}{-}{11}{-}{12}{-}{11}{-}{11}{-}{12}{-}{11}{-}{11}{-}{11}{-}{-} (repeat)
22.05kHz	{12}{-}{11}{-}{11}{-}{12}{-}{11}{-}{11}{-}{12}{-}{11}{-}{11}{-}{12}{-}{11}{-}{11}{-}{11}{-}{11}{-}{-} (repeat)
44.1kHz	12-11-11-12-11-11-12-11-11-12-11-11-11- (repeat)
88.2kHz	12 ² -11 ² -11 ² -12 ² -11 ² -11 ² -12 ² -11 ² -11 ² -12 ² -11 ² -11 ² - (repeat)
174.4kHz	12 ⁴ -11 ⁴ -11 ⁴ -12 ⁴ -11 ⁴ -11 ⁴ -12 ⁴ -11 ⁴ -11 ⁴ -12 ⁴ -11 ⁴ -11 ⁴ - (repeat)

11.025kHz: {12}=YNNNYNNNYNNNYNNNYNNNYNNNYNNNYNNNYNNNYNNNYNNNYNNNYNNNYNNNYNN

{11}=YNNNYNNNYNNNYNNNYNNNYNNNYNNNYNNNYNNNYNNNYNNNYNNNYNNNYNNNYNN

{-} =NNNN

22.05kHz: {12}=YNY

{11}=YNY

{-} =NN

44.1kHz: 12- =Contiguous 12 frames containing 1 sample blocks each, followed by one frame with no sample block.

88.2kHz: 12²- =Contiguous 12 frames containing 2 sample blocks each, followed by one frame with no sample block.

174.4kHz: 12⁴- =Contiguous 12 frames containing 4 sample blocks each, followed by one frame with no sample block.

7.3. Reset and Initialization

There are two types of reset within an HDA link:

- Link Reset: Generated by assertion of the RST# signal; all codecs return to their power-on state
- Codec Reset: Generated by software; directs a command to reset a specific codec back to its default state

An initialization sequence is requested after any of the following three events:

1. Link Reset
2. Codec Reset
3. Codec changes its power state (e.g., hot docking a codec to an HDA system)

7.3.1. Link Reset

A link reset may be caused by 3 events:

1. The HDA controller asserts RST# for any reason (power up, or PCI reset)
2. Software initiates a link reset via the ‘CRST’ bit in the Global Control Register (GCR) of the HDA controller
3. Software initiates power management sequences. Figure 11, page 15, shows the ‘Link Reset’ timing including the ‘Enter’ sequence (1~5) and ‘Exit’ sequence (6~9)

Enter ‘Link Reset’:

- 1 Software writes a 0 to the ‘CRST’ bit in the Global Control Register of the HDA controller to initiate a link reset
- 2 As the controller completes the current frame, it does not signal the normal 8-bit frame SYNC at the end of the frame
- 3 The controller drives SYNC and all SDOs to low. Codecs also drive SDIs to low
- 4 The controller asserts the RST# signal to low, and enters the ‘Link Reset’ state
- 5 All link signals driven by controller and codecs should be tri-state by internal pull low resistors

Exit from ‘Link Reset’:

- 6 BCLK is re-started for any reason (codec wake-up event, power management, etc.)
- 7 Software is responsible for de-asserting RST# after a minimum of 100µsec BCLK running time (the 100µsec provides time for the codec PLL to stabilize)
- 8 Minimum of 4 BCLK after RST# is de-asserted, the controller starts to signal normal frame SYNC
- 9 When the codec drives it’s SDI to request an initialization sequence (when the SDI is driven high at the last bit of frame SYNC), it means the codec requests an initialization sequence

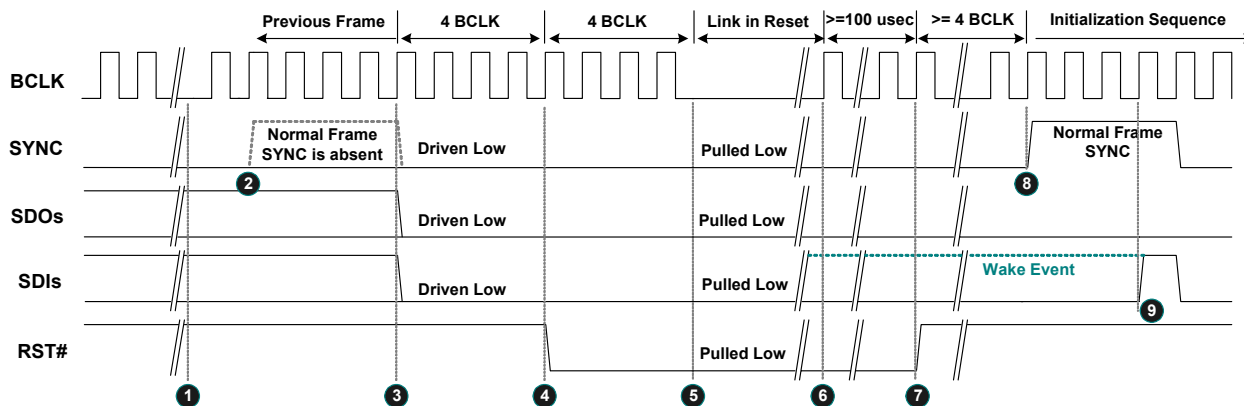


Figure 11. Link Reset Timing

7.3.2. Codec Reset

A 'Codec Reset' is initiated via the Codec RESET command verb. It results in the target codec being reset to the default state. After the target codec completes its reset operation, an initialization sequence is requested.

7.3.3. Codec Initialization Sequence

- ❶ The codec drives SDI high at the last bit of SYNC to request a Codec Address (CAD) from the controller
- ❷ The codec will stop driving the SDI in this turnaround period
- ❸❹❺❻ The controller drives the SDI to assign a CAD to the codec
- ❼ The controller releases SDI after the CAD has been assigned
- ❽ Normal operation state

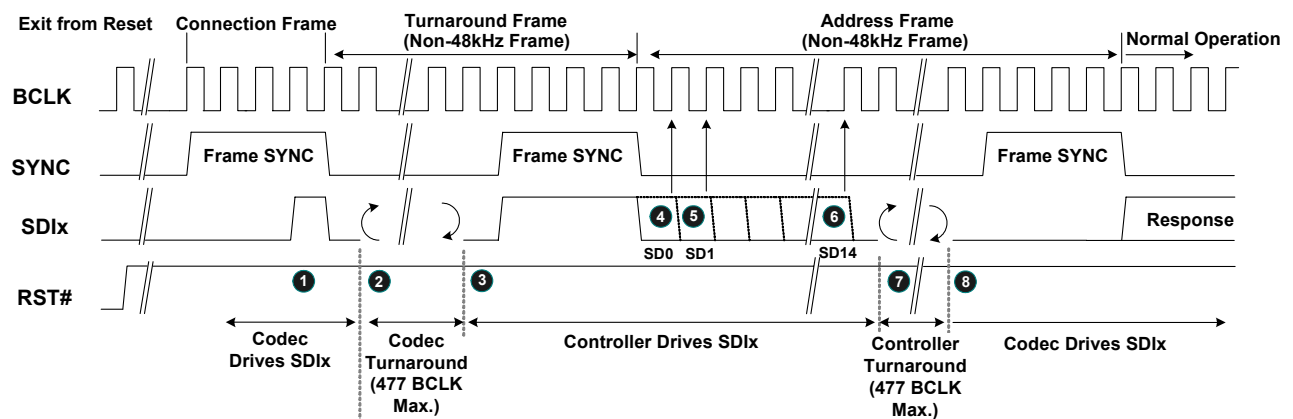


Figure 12. Codec Initialization Sequence

7.4. Verb and Response Format

7.4.1. Command Verb Format

There are two types of verbs: one with 4-bit identifiers (4-bit verbs) and 16-bits of data, the other with 12-bit identifiers (12-bit verbs) and 8-bits of data. Table 10 shows the 4-bit verb structure of a command stream sent from the controller to operate the codec.

Table 11 is the 12-bit verb structure that gets and controls parameters in the codec.

Table 10. 40-Bit Commands in 4-Bit Verb Format

Bit [39:32]	Bit [31:28]	Bit [27:20]	Bit [19:16]	Bit [15:0]
Reserved	Codec Address	Node ID	Verb ID	Payload

Table 11. 40-Bit Commands in 12-Bit Verb Format

Bit [39:32]	Bit [31:28]	Bit [27:20]	Bit [19:8]	Bit [7:0]
Reserved	Codec Address	Node ID	Verb ID	Payload

7.4.2. Response Format

There are two types of response from the codec to the controller. Solicited Responses are returned by the codec in response to a current command verb. The codec will send Solicited Response data in the next frame, without regard to the Set (Write) or Get (Read) command. The 32-bit Response is interpreted by software, opaque to the controller.

Unsolicited Responses are sent by the codec independently of software requests. Jack Detection or GPI status information can be actively delivered to the controller and interpreted by software. The 'Tag' in Bit [31:28] is used to identify unsolicited events. This tag is undefined in the HDA specifications.

Table 12. Solicited Response Format

Bit [35]	Bit [34]	Bit [33:32]	Bit [31:0]
Valid	Unsol=0	Reserved	Response

Table 13. Unsolicited Response Format

Bit [35]	Bit [34]	Bit [33:32]	Bit [31:26]	Bit [27:0]
Valid	Unsol=1	Reserved	Tag[5:0]	Response

Note: The response stream in the link protocol is 36-bits wide. The response is placed in the lower 32-bit field. Bit-35 is a 'Valid' bit to indicate the response is 'Ready'. Bit-34 is set to indicate that an unsolicited response was sent.

7.5. Power Management

The ALC260(D) does not support Wake-Up events when in low-power mode. All power management state changes in widgets are driven by software. Table 14 shows the System Power State Definitions.

In the ALC260(D), only the audio function (NID=01h) supports power control. Software may have various power states depending on system configuration. Table 15 indicates those nodes that support power management. To simplify power control, software can configure whole codec power states through the audio function (NID=01h). Output converters (DACs) and input converters (ADCs) have no individual power control.

Table 14. System Power State Definitions

Power States	Definitions
D0	All power on. Individual DACs and ADCs can be powered up or down as required.
D1	All amplifiers and converters (DACs and ADCs) are powered down. State maintained; analog reference stays up.
D2	All amplifiers and converters (DACs and ADCs) are powered down. State maintained, but analog reference off (D1 + analog reference off).
D3 (Hot)	Power still supplied. The codec stops the internal clock. State is maintained.
D3 (Cold)	All power removed. State lost.

Table 15. Power Controls in NID is 01h, 02h~05h, 07h~09h

Item	Description	D0	D1	D2	D3	Link Reset
Audio Function (NID=01h)	LINK Response	Normal	Normal	Normal	PD	PD
	DAC	Normal	PD	PD	PD	PD
	MIC ADC	Normal	PD	PD	PD	PD
	MIX ADC	Normal	PD	PD	PD	PD
	All Headphone Drivers	Normal	Normal	PD	PD	Normal
	All Mixers	Normal	Normal	PD	PD	Normal
	All Reference	Normal	Normal	PD	PD	Normal

Note: PD=Powered Down

Table 16. Powered Down Conditions

Condition	Description
LINK Response powered down	Internal clock is stopped. SDATA-IN and S/PDIF-OUT are floated with pulled low 47K resistors internally. S/PDIF-IN is also floated. Detection of 'Link Reset Entry' and 'Link Reset Exit' sequences are supported. All states are maintained if DVDD is supplied.
MIC ADC powered down	Analog block and digital filter are powered down. The data on SDATA-IN is quiet.
LINE ADC powered down	Analog block and digital filter are powered down.
MIX ADC powered down	Analog block and digital filter are powered down. The data on SDATA-IN is quiet.
Headphone Driver powered down	All headphone drivers are powered down.
Mixers powered down	All internal mixer widgets are powered down. The DC reference and VREFOUTx at individual pin complexes are still alive.
Reference power down	All internal references, DC reference, and VREFOUTx at individual pin complexes are off.

8. Supported Verbs and Parameters

This section describes the Verbs and Parameters supported by various widgets in the ALC260(D). If a verb is not supported by the addressed widget, it will respond with 32 bits of '0'.

Refer to Figure 1, page 4, to get the NID (Node ID) assigned for each widget.

8.1. Verb – Get Parameters (Verb ID=F00h)

The 'Get Parameters' verb is used to get system information and the function capabilities of the HDA codec. All the parameters are read-only. There are a total of 15 ID parameters defined for each widget; some parameters are supported only in a specific widget. Refer to section 7.4.1 Command Verb Format, page 17, to get detailed information about supported parameters.

Table 17. Verb – Get Parameters (Verb ID=F00h)

Get Parameter Command Format				Codec Response Format	
Bit [31:28]	Bit [27:20]	Bit [19:8]	Payload Bit [7:0]	Response [31:0]	
CAd=X	Node ID=00h	Verb ID=F00h	Parameter ID[7:0]	32-bit Response	

Note: If the parameter ID is not supported, the returned response is 32 bits of '0'.

8.1.1. Parameter – Vendor ID (Verb ID=F00h, Parameter ID=00h)

Table 18. Parameter – Vendor ID (Verb ID=F00h, Parameter ID=00h)

Codec Response Format	
Bit	Description
31:16	Vendor ID=10ECh (Realtek's PCI vendor ID).
15:0	Device ID=0260h.

8.1.2. Parameter – Subsystem ID (Verb ID=F00h, Parameter ID=01h)

Table 19. Parameter – Subsystem ID (Verb ID=F00h, Parameter ID=01h)

Codec Response Format	
Bit	Description
31:16	The SubSystem ID is used to identify the function group. SubSystem ID=0260h for the ALC260 and the ALC260-LF. SubSystem ID=0000h for other versions.
15:8	Reserved.
7:0	Assembly ID.

8.1.3. Parameter – Revision ID (Verb ID=F00h, Parameter ID=02h)

Table 20. Parameter – Revision ID (Verb ID=F00h, Parameter ID=02h)

Codec Response Format

Bit	Description
31:24	Reserved. Read as 0's.
23:20	MajRev. The major version number (in decimal) of the HDA Specification.
19:16	MinRev. The minor version number (in decimal) of the HDA Specification.
15:8	Revision ID. The vendor's revision number. 00h is for the first silicon version, 01h is for the second version, etc.
7:0	Stepping ID. The vendor's stepping number within the given Revision ID.

8.1.4. Parameter – Subordinate Node Count (Verb ID=F00h, Parameter ID=04h)

For the root node, the Subordinate Node Count provides information about audio function group nodes associated with the root node.

For function group nodes, it provides the total number of widgets associated with this function node.

Table 21. Parameter – Subordinate Node Count (Verb ID=F00h, Parameter ID=04h)

Codec Response Format

Bit	Description
31:24	Reserved. Read as 0's.
23:16	Starting Node Number. The starting node number in the sequential widgets.
15:8	Reserved. Read as 0's.
7:0	Total Number of Nodes. For a root node, the total number of function groups in the root node. For a function group, the total number of widget nodes in the function group.

8.1.5. Parameter – Function Group Type (Verb ID=F00h, Parameter ID=05h)

Table 22. Parameter – Function Group Type (Verb ID=F00h, Parameter ID=05h)

Codec Response Format

Bit	Description
31:9	Reserved. Read as 0's.
8	UnSol Capable. 0: Unsolicited response is not supported by this function group 1: Unsolicited response is supported by this function group
7:0	Function Group Type. 00h: Reserved 01h: Audio Function 02h: Modem Function 03h~7Fh: Reserved 80h~FFh: Vendor Defined Function

8.1.6. Parameter – Audio Function Capabilities (Verb ID=F00h, Parameter ID=08h)

Table 23. Parameter – Audio Function Capabilities (Verb ID=F00h, Parameter ID=08h)

Codec Response Format

Bit	Description
31:17	Reserved. Read as 0's.
16	Beep Generator. A '1' indicates the presence of an integrated Beep generator within the Audio Function Group.
15:12	Reserved. Read as 0's.
11:8	Input Delay.
7:4	Reserved. Read as 0's.
3:0	Output Delay.

8.1.7. Parameter – Audio Widget Capabilities (Verb ID=F00h, Parameter ID=09h)

Table 24. Parameter – Audio Widget Capabilities (Verb ID=F00h, Parameter ID=09h)

Codec Response Format

Bit	Description
31:24	Reserved. Read as 0's.
23:20	Widget Type. 0h: Audio Output 1h: Audio Input 2h: Mixer 3h: Selector 4h: Pin Complex 5h: Power Widget 6h: Volume Knob Widget 7h~Eh: Reserved Fh: Vendor defined audio widget
19:16	Delay. Samples delayed between the HDA link and widgets.
15:11	Reserved. Read as 0's.
10	Power Control. 0: Power state control is not supported on this widget 1: Power state is supported on this widget
9	Digital. 0: An analog input or output converter 1: A widget translating digital data between the HDA link and digital I/O (S/PDIF, I2S, etc.)
8	ConnList. Connection List. 0: Connected to HDA link. No Connection List Entry should be queried 1: Connection List Entry must be queried DACs are directly connected to the HDA link. No connection list entry need be queried for DACs.
7	UnsolCap. Unsolicited Capable. 0: Unsolicited response is not supported 1: Unsolicited response is supported The S/PDIF-IN converter, Pin Complexes, and DCVOL will generate unsolicited responses.
6	ProcWidget. Processing Widget. 0: No processing control 1: Processing control is supported Only a Realtek defined widget has processing control.
5	Reserved. Read as 0.
4	Format Override. Different rates are supported for output converters. The supported format (parameter ID=0Ah) must be queried.
3	AmpParOvr. AMP Param Override. Supports amplifiers (Gain Control) in individual output Pin Complexes, ADCs, and Mixer widgets
2	OutAmpPre. Out AMP Present. Supports amplifiers (Gain Control) in individual output pin complexes.
1	InAmpPre. In AMP Present. Supports amplifiers (Gain Control) in individual ADCs and Mixer widgets.
0	Stereo. 0: Mono Widget 1: Stereo Widget

8.1.8. Parameter – Supported PCM Size, Rates (Verb ID=F00h, Parameter ID=0Ah)

Provides default information about formats. Individual converters have their own parameters to provide supported formats if their 'Format Override' bit is set.

Table 25. Parameter – Supported PCM Size, Rates (Verb ID=F00h, Parameter ID=0Ah)

Codec Response Format

Bit	Description
31:21	Reserved. Read as 0's.
20	B32. 32-bit audio format support. 0: Not supported 1: Supported
19	B24. 24-bit audio format support. 0: Not supported 1: Supported All DACs and S/PDIF-IN/OUT support 24-bit format.
18	B20. 20-bit audio format support. 0: Not supported 1: Supported All DACs, ADCs, and S/PDIF-IN/OUT support 20-bit format.
17	B16. 16-bit audio format support. 0: Not supported 1: Supported All DACs, ADCs, and S/PDIF-IN/OUT support 16-bit format.
16	B8. 8-bit audio format support. 0: Not supported 1: Supported
15:12	Reserved. Read as 0's.
11	R12. 384kHz (=8*48kHz) rate support. 0: Not supported 1: Supported
10	R11. 192kHz (=4*48kHz) rate support. 0: Not supported 1: Supported DAC and S/PDIF-OUT converter supports 192kHz rate.
9	R10. 176.4Hz (=4*44.1kHz) rate support. 0: Not supported 1: Supported
8	R9. 96kHz (=2*48kHz) rate support. 0: Not supported 1: Supported All DACs except Surr-Back DAC, ADCs, and S/PDIF-IN/OUT support 96kHz rate.
7	R8. 88.2kHz (=2*44.1kHz) rate support. 0: Not supported 1: Supported

Codec Response Format

Bit	Description
6	R7. 48kHz rate support. 0: Not supported 1: Supported All DACs, ADCs, and S/PDIF-IN/OUT support 48kHz rate.
5	R6. 44.1kHz rate support. 0: Not supported 1: Supported All DACs, ADCs, and S/PDIF-IN/OUT support 48kHz rate.
4	R5. 32kHz ($=2/3*48\text{kHz}$) rate support. 0: Not supported 1: Supported
3	R4. 22.05kHz ($=1/2*44.1\text{kHz}$) rate support. 0: Not supported 1: Supported
2	R3. 16kHz ($=1/3*48\text{kHz}$) rate support. 0: Not supported 1: Supported
1	R2. 11.025kHz ($=1/4*44.1\text{kHz}$) rate support. 0: Not supported 1: Supported
0	R1. 8kHz ($=1/6*48\text{kHz}$) rate support. 0: Not supported 1: Supported

8.1.9. Parameter – Supported Stream Formats (Verb ID=F00h, Parameter ID=0Bh)

Parameters in this node only provide default information for audio function groups. Individual converters have their own parameters to provide supported formats if the ‘Format Override’ bit is set.

Table 26. Parameter – Supported Stream Formats (Verb ID=F00h, Parameter ID=0Bh)

Codec Response Format

Bit	Description
31:3	Reserved. Read as 0's.
2	AC3. 0: Not supported 1: Supported
1	Float32. 0: Not supported 1: Supported
0	PCM. 0: Not supported 1: Supported

8.1.10. Parameter – Pin Capabilities (Verb ID=F00h, Parameter ID=0Ch)

The Pin Capabilities parameter returns a bit field describing the capabilities of the Pin Complex widget.

Table 27. Parameter – Pin Capabilities (Verb ID=F00h, Parameter ID=0Ch)

Codec Response Format

Bit	Description														
31:16	Reserved. Read as 0's.														
15:8	VREF Control Capability. ‘1’ in corresponding bit field indicates signal levels of associated Vrefout are specified as a percentage of AVDD. <table border="1" data-bbox="396 1276 1398 1350"> <thead> <tr> <th>7:6</th> <th>5</th> <th>4</th> <th>3</th> <th>2</th> <th>1</th> <th>0</th> </tr> </thead> <tbody> <tr> <td>Reserved</td> <td>100%</td> <td>80%</td> <td>Reserved</td> <td>Ground</td> <td>50%</td> <td>Hi-Z</td> </tr> </tbody> </table>	7:6	5	4	3	2	1	0	Reserved	100%	80%	Reserved	Ground	50%	Hi-Z
7:6	5	4	3	2	1	0									
Reserved	100%	80%	Reserved	Ground	50%	Hi-Z									
7	L-R Swap. Indicates the capability of swapping the left and rights. Not supported. This bit is read as 0.														
6	Balanced I/O Pin. ‘1’ indicates this pin complex has balanced pins.														
5	Input Capable. ‘1’ indicates this pin complex supports input.														
4	Output Capable. ‘1’ indicates this pin complex supports output.														
3	Headphone Drive Capable. ‘1’ indicates this pin complex has an amplifier to drive a headphone.														

Codec Response Format

Bit	Description
2	Presence Detect Capable. '1' indicates this pin complex can detect whether there is anything plugged in. Uses dedicated Jack-Detect pins to detect when a jack is plugged in.
1	Trigger Required. '1' indicates whether a software trigger is required for an impedance measurement.
0	Impedance Sense Capable. '1' indicates this pin complex can perform analog sensing on the attached device to determine its type.

8.1.11. Parameter – Amplifier Capabilities (Verb ID=F00h, Input Amplifier Parameter ID=0Dh)

Parameters in this node provide audio function group default information. Individual converters have their own parameters to provide amplifier capabilities if the 'AMP Param Override' bit is set.

Table 28. Parameter – Amplifier Capabilities (Verb ID=F00h, Input Amp Parameter ID=0Dh)

Codec Response Format

Bit	Description
31	(Input) Mute Capable.
30:23	Reserved. Read as 0.
22:16	Step Size. Indicates the size of each step in the gain range. Permanently set to '3' (indicates a step of 1dB).
15	Reserved. Read as 0.
14:8	Number of Steps. Indicates the number of steps in the gain range. '0' means the gain is fixed.
7	Reserved. Read as 0.
6:0	Offset. Indicates which step is 0dB.

8.1.12. Parameter – Amplifier Capabilities (Verb ID=F00h, Output Amplifier Parameter ID=12h)

Parameters in this node provide audio function group default information. Individual converters have their own parameters to provide amplifier capabilities if the ‘AMP Param Override’ bit is set.

**Table 29. Parameter – Amplifier Capabilities
(Verb ID=F00h, Output Amp Parameter ID=12h)**

Codec Response Format

Bit	Description
31	(Output) Mute Capable.
30:23	Reserved. Read as 0.
22:16	Step Size. Indicates the size of each step in the gain range. Permanently set to ‘3’ (indicates a step of 1dB).
15	Reserved. Read as 0.
14:8	Number of Steps. Indicates the number of steps in the gain range. ‘0’ means the gain is fixed.
7	Reserved. Read as 0.
6:0	Offset. Indicates which step is 0dB.

8.1.13. Parameter – Connect List Length (Verb ID=F00h, Parameter ID=0Eh)

Parameters in this node provide audio function widget connection information.

Table 30. Parameter – Connect List Length (Verb ID=F00h, Parameter ID=0Eh)

Codec Response Format

Bit	Description
31:8	Reserved. Read as 0.
7	Short Form. 0: Short Form 1: Long Form
6:0	Connect List Length. Indicates the number of inputs connected to a widget. If the Connect List Length is 1, there is only one input, and there is no Connection Select Control (Not a MUX widget).

8.1.14. Parameter – Supported Power States (Verb ID=F00h, Parameter ID=0Fh)

Table 31. Parameter – Supported Power States (Verb ID=F00h, Parameter ID=0Fh)

Codec Response Format

Bit	Description
31:4	Reserved. Read as 0's.
3	D3Sup. 1: Power state D3 is supported.
2	D2Sup. 1: Power state D2 is supported.
1	D1Sup. 1: Power state D1 is supported.
0	D0Sup. 1: Power state D0 is supported.

8.1.15. Parameter – Processing Capabilities (Verb ID=F00h, Parameter ID=10h)

Table 32. Parameter – Processing Capabilities (Verb ID=F00h, Parameter ID=10h)

Codec Response Format

Bit	Description
31:16	Reserved. Read as 0's.
15:8	NumCoeff. Number of Coefficient.
7:1	Reserved. Read as 0's.
0	Benign. 0: Processing unit is not linear and not time invariant 1: Processing unit is linear and is time invariant

8.1.16. Parameter – GPIO Capabilities (Verb ID=F00h, Parameter ID=11h)

Table 33. Parameter – GPIO Capabilities (Verb ID=F00h, Parameter ID=11h)

Codec Response Format

Bit	Description
31	GPIWake=0. GPIO wake up function not supported.
30	GPIUnsol=1. GPIO unsolicited response not supported.
29:24	Reserved. Read as 0's.
23:16	NumGPIs=00h. No GPI pin is supported.
15:8	NumGPOs=00h. No GPO pin is supported.
7:0	NumGPIOs=04h for LQFP-48. A total of 4 GPIO pins are supported.

8.1.17. Parameter – Volume Knob Capabilities (Verb ID=F00h, Parameter ID=13h)

Table 34. Parameter – Volume Knob Capabilities (Verb ID=F00h, Parameter ID=13h)

Codec Response Format for NID=1Bh (Volume Control Knob)

Bit	Description
31:8	Reserved. Read as 0's.
7	Delta. 0: Software cannot modify the Volume Control Knob volume 1: Software can write a base volume to the Volume Control Knob
6:0	NumSteps. The number of steps in the range of the Volume Control Knob.

8.2. Verb – Get Connection Select Control (Verb ID=F01h)

Table 35. Verb – Get Connection Select Control (Verb ID=F01h)

Get Command Format

Bit [31:28]	Bit [27:20]	Bit [19:8]	Payload Bit [7:0]
CAd=X	Node ID=Xh	Verb ID=F01h	0's

Codec Response Format

Response [31:0]
Bit[7:0] are Connection Index

Codec Response for NID=04h (MIC ADC)

Bit	Description
31:8	0's.
7:0	Connection Index currently Set (Default value is 00h). 00h: Pin complex - MIC1 01h: Pin complex - MIC2 02h: Pin complex - LINE1 03h: Pin complex - LINE2 04h: Pin complex - Analog CD-IN 05h: Pin complex – LINE-OUT 06h: Pin complex – HP-OUT Other: Reserved

Codec Response for NID=05h (LINE ADC)

Bit	Description
31:8	0's.
7:0	Connection Index currently Set (Default value is 02h). 00h: Pin complex - MIC1 01h: Pin complex - MIC2 02h: Pin complex - LINE1 03h: Pin complex - LINE2 04h: Pin complex - Analog CD-IN 05h: Sum Widget – Mixer 06h: Pin complex – LINE-OUT 07h: Pin complex – HP-OUT Other: Reserved

Codec Response for NID=0Bh (MIC1 Selector)

Bit	Description
31:8	0's.
7:0	Connection Index currently Set (Default value is 00h). 00h: LOUT1 Sum Widget (NID=08h) 01h: LOUT2 Sum Widget (NID=09h) Other: Reserved

Codec Response for NID=0Ch (MIC2 Selector)

Bit	Description
31:8	0's.
7:0	Connection Index currently Set (Default value is 00h). 00h: LOUT1 Sum Widget (NID=08h) 01h: LOUT2 Sum Widget (NID=09h) Other: Reserved

Codec Response for NID=0Dh (LINE1 Selector)

Bit	Description
31:8	0's.
7:0	Connection Index currently Set (Default value is 00h). 00h: LOUT1 Sum Widget (NID=08h) 01h: LOUT2 Sum Widget (NID=09h) Other: Reserved

Codec Response for NID=0Eh (LINE2 Selector)

Bit	Description
31:8	0's.
7:0	Connection Index currently Set (Default value is 00h). 00h: LOUT1 Sum Widget (NID=08h) 01h: LOUT2 Sum Widget (NID=09h) Other: Reserved

Codec Response for other NID

Bit	Description
31:0	Not supported (returns 00000000h).

8.3. Verb – Set Connection Select (Verb ID=701h)

Table 36. Verb – Set Connection Select (Verb ID=701h)

Set Command Format

Bit [31:28]	Bit [27:20]	Bit [19:8]	Payload Bit [7:0]
CAd=X	Node ID=Xh	Verb ID=701h	Select Index [7:0]

Codec Response Format

Response [31:0]
0's for all nodes

Note: See section 8.2 Verb – Get Connection Select Control (Verb ID=F01h), page 30, for details on widgets that support connection selection.

8.4. Verb – Get Connection List Entry (Verb ID=F02h)

Table 37. Verb – Get Connection List Entry (Verb ID=F02h)

Get Command Format

Bit [31:28]	Bit [27:20]	Bit [19:8]	Payload Bit [7:0]
CAd=X	Node ID=Xh	Verb ID=F02h	Offset Index - N[7:0]

Codec Response Format

Response [31:0]
32-bit Response

Codec Response for NID=04h (MIC ADC)

Bit	Description
31:24	Connection List Entry (N+3). Return 15h (=27, Pin Complex - LINE2) for N=0~3. Return 00h for n>3.
23:16	Connection List Entry (N+2). Return 14h (Pin Complex - LINE1) for N=0~3. Return 10h (Pin Complex-HP-OUT) for N=4~7. Return 00h for N>7.
15:8	Connection List Entry (N+1). Return 13h (Pin Complex-MIC2) for N=0~3. Return 0Fh (Pin Complex-LINE-OUT) for N=4~7. Return 00h for N>7.
7:0	Connection List Entry (N). Return 12h (Pin Complex-MIC1) for N=0~3. Return 16h (Pin Complex-CD) for N=4~7. Return 00h for N>7.

Codec Response for NID=05h (MIX ADC)

Bit	Description
31:24	Connection List Entry (N+3). Return 15h (=27, Pin Complex - LINE2) for N=0~3. Return 10h (Pin Complex-HP-OUT) for N=4~7. Return 00h for n>7.
23:16	Connection List Entry (N+2). Return 14h (Pin Complex - LINE1) for N=0~3. Return 0Fh (Pin Complex-LINE-OUT) for N=4~7. Return 00h for N>7.
15:8	Connection List Entry (N+1). Return 13h (Pin Complex-MIC2) for N=0~3. Return 07h (Sum Widget-Mixer) for N=4~7. Return 00h for N>7.
7:0	Connection List Entry (N). Return 12h (Pin Complex-MIC1) for N=0~3. Return 16h (Pin Complex-CD) for N=4~7. Return 00h for N>7.

Codec Response for NID=07h (Mixer)

Bit	Description
31:24	Connection List Entry (N+3). Return 15h (Pin Complex - LINE2) for N=0~3. Return 10h (Pin Complex-HP-OUT) for N=4~7. Return 00h for N>7.
23:16	Connection List Entry (N+2). Return 14h (Pin Complex - LINE1) for N=0~3. Return 0Fh (Pin Complex - LINE-OUT) for N=4~7. Return 00h for N>7.
15:8	Connection List Entry (N+1). Return 13h (Pin Complex - MIC2) for N=0~3. Return 17h (Pin Complex - PCBEEP) for N=4~7. Return 00h for N>7.
7:0	Connection List Entry (N). Return 12h (Pin Complex - MIC1) for N=0~3. Return 16h (Pin Complex - CD) for N=4~7. Return 00h for N>7.

Codec Response for NID=08h (LOUT1 Sum)

Bit	Description
31:24	Connection List Entry (N). Return 00h.
23:16	Connection List Entry (N+2). Return 00h.
15:8	Connection List Entry (N+1). Return 07h (Mixer) for N=0~3. Return 00h for N>3.
7:0	Connection List Entry (N). Return 02h (DAC) for N=0~3. Return 00h for N>3.

Codec Response for NID=09h (LOUT2 Sum)

Bit	Description
31:24	Connection List Entry (N). Return 00h.
23:16	Connection List Entry (N+2). Return 00h.
15:8	Connection List Entry (N+1). Return 07h (Mixer) for N=0~3. Return 00h for N>3.
7:0	Connection List Entry (N). Return 02h (DAC) for N=0~3. Return 00h for N>3.

Codec Response for NID=0Ah (MONO Sum)

Bit	Description
31:24	Connection List Entry (N). Return 00h.
23:16	Connection List Entry (N+2). Return 00h.
15:8	Connection List Entry (N+1). Return 07h (Mixer) for N=0~3. Return 00h for N>3.
7:0	Connection List Entry (N). Return 02h (DAC) for N=0~3. Return 00h for N>3.

Codec Response for NID=0Bh (MIC1 Sel)

Bit	Description
31:24	Connection List Entry (N+3). Return 00h.
23:16	Connection List Entry (N+2). Return 00h.
15:8	Connection List Entry (N+1). Return 09h (LOUT2 Sum Widget) for N=0~3. Return 00h for N>3.
7:0	Connection List Entry (N). Return 08h (LOUT1 Sum Widget) for N=0~3. Return 00h for N>3.

Codec Response for NID=0Ch (MIC2 Sel)

Bit	Description
31:24	Connection List Entry (N+3). Return 00h.
23:16	Connection List Entry (N+2). Return 00h.
15:8	Connection List Entry (N+1). Return 09h (LOUT2 Sum Widget) for N=0~3. Return 00h for N>3.
7:0	Connection List Entry (N). Return 08h (LOUT1 Sum Widget) for N=0~3. Return 00h for N>3.

Codec Response for NID=0Dh (LINE1 Sel)

Bit	Description
31:24	Connection List Entry (N+3). Return 00h.
23:16	Connection List Entry (N+2). Return 00h.
15:8	Connection List Entry (N+1). Return 09h (LOUT2 Sum Widget) for N=0~3. Return 00h for N>3.
7:0	Connection List Entry (N). Return 08h (LOUT1 Sum Widget) for N=0~3. Return 00h for N>3.

Codec Response for NID=0Eh (LINE2 Sel)

Bit	Description
31:24	Connection List Entry (N+3). Return 00h.

Codec Response for NID=0Eh (LINE2 Sel)

Bit	Description
23:16	Connection List Entry (N+2). Return 00h.
15:8	Connection List Entry (N+1). Return 09h (LOUT2 Sum Widget) for N=0~3. Return 00h for N>3.
7:0	Connection List Entry (N). Return 08h (LOUT1 Sum Widget) for N=0~3. Return 00h for N>3.

Codec Response for NID=0Fh (Pin Widget: LINE-OUT)

Bit	Description
31:8	Connection List Entry (N+3), (N+2), and (N+1). Return 000000h.
7:0	Connection List Entry (N). Return 08h (LOUT1 Sum Widget) for N=0~3. Return 00h for N>3.

Codec Response for NID=10h (Pin Widget: HP-OUT)

Bit	Description
31:8	Connection List Entry (N+3), (N+2), and (N+1). Return 000000h.
7:0	Connection List Entry (N). Return 09h (LOUT2 Sum Widget) for N=0~3. Return 00h for N>3.

Codec Response for NID=11h (Pin Widget: MONO-OUT)

Bit	Description
31:8	Connection List Entry (N+3), (N+2), and (N+1). Return 000000h.
7:0	Connection List Entry (N). Return 0Ah (MONO Sum Widget) for N=0~3. Return 00h for N>3.

Codec Response for NID=12h (Pin Widget: MIC1)

Bit	Description
31:8	Connection List Entry (N+3), (N+2), and (N+1). Return 000000h.
7:0	Connection List Entry (N). Return 0Bh (MIC1 Select Widget) for N=0~3. Return 00h for N>3.

Codec Response for NID=13h (Pin Widget: MIC2)

Bit	Description
31:8	Connection List Entry (N+3), (N+2), and (N+1). Return 000000h.
7:0	Connection List Entry (N). Return 0Ch (MIC2 Select Widget) for N=0~3. Return 00h for N>3.

Codec Response for NID=14h (Pin Widget: LINE1)

Bit	Description
31:8	Connection List Entry (N+3), (N+2), and (N+1). Return 000000h.
7:0	Connection List Entry (N). Return 0Dh (LINE1 Select Widget) for N=0~3. Return 00h for N>3.

Codec Response for NID=15h (Pin Widget: LINE2)

Bit	Description
31:8	Connection List Entry (N+3), (N+2), and (N+1). Return 000000h.
7:0	Connection List Entry (N). Return 0Eh (LINE2 Select Widget) for N=0~3. Return 00h for N>3.

Codec Response for NID=18h (Pin Widget: S/PDIF-OUT)

Bit	Description
31:8	Connection List Entry (N+3), (N+2), and (N+1). Return 000000h.
7:0	Connection List Entry (N). Return 03h (NID=03h, S/PDIF-OUT converter) for N=0~3. Return 00h for N>3.

Codec Response for NID=18h (Pin Widget: S/PDIF-OUT)

Bit	Description
31:8	Connection List Entry (N+3), (N+2), and (N+1). Return 000000h.
7:0	Connection List Entry (N). Return 19h (NID=19h, S/PDIF-IN Pin Widget) for N=0~3. Return 00h for N>3.

Codec Response for Other NID

Bit	Description
31:0	Not supported (returns 00000000h).

Note: Long Form list entry not supported. The Short Form bit of the Connection List Length parameter is always '0'.

8.5. Verb – Get Coefficient Index (Verb ID=Dh)

Table 38. Verb – Get Coefficient Index (Verb ID=Dh)

Get Command Format

Bit [31:28]	Bit [27:20]	Bit [19:16]	Payload Bit [15:0]
CAd=X	Node ID=Xh	Verb ID=Dh	0's

Codec Response Format

Response [31:0]
Bit [15:0] are Coefficient Index

Codec Response for NID=20h (Realtek Defined Hidden Registers)

Bit	Description
31:16	Reserved. Read as 0's.
15:0	Coefficient Index.

Codec Response for Other NID

Bit	Description
31:0	Not supported (returns 00000000h).

8.6. Verb – Set Coefficient Index (Verb ID=5h)

Table 39. Verb – Set Coefficient Index (Verb ID=5h)

Set Command Format

Bit [31:28]	Bit [27:20]	Bit [19:16]	Payload Bit [15:0]
CAd=X	Node ID=Xh	Verb ID=5h	Coefficient Index [15:0]

Codec Response Format

Response [31:0]
0's for all nodes

Codec Response for All NID

Bit	Description
31:0	0's.

8.7. Verb – Get Processing Coefficient (Verb ID=Ch)

Table 40. Verb – Get Processing Coefficient (Verb ID=Ch)

Get Command Format

Bit [31:28]	Bit [27:20]	Bit [19:16]	Payload Bit [15:0]
CAd=X	Node ID=Xh	Verb ID=Ch	0's

Codec Response Format

Response [31:0]
Processing Coefficient [15:0]

Codec Response for NID=20h (Realtek Defined Hidden Registers)

Bit	Description
31:16	Reserved. Read as 0's.
15:0	Processing Coefficient.

Codec Response for Other NID

Bit	Description
31:0	Not supported (returns 00000000h).

8.8. Verb – Set Processing Coefficient (Verb ID=4h)

Table 41. Verb – Set Processing Coefficient (Verb ID=4h)

Set Command Format

Bit [31:28]	Bit [27:20]	Bit [19:16]	Payload Bit [15:0]
CAd=X	Node ID=Xh	Verb ID=4h	Coefficient [15:0]

Codec Response Format

Response [31:0]
0's for all nodes

Codec Response for All NID

Bit	Description
31:0	0's.

8.9. Verb – Get Amplifier Gain (Verb ID=Bh)

This verb is used to get gain/attenuation settings from each widget.

Table 42. Verb – Get Amplifier Gain (Verb ID=Bh)

Get Command Format

Bit [31:28]	Bit [27:20]	Bit [19:16]	Payload Bit [15:0]
CAd=X	Node ID=Xh	Verb ID=Bh	'Get' payload [15:0]

Codec Response Format

Response [31:0]
Bit[7:0] are responsible for 'Get'

'Get' Payload in Command Bit[15:0]

Bit	Description
15	Get Input/Output. 0: Input amplifier gain is requested 1: Output amplifier gain is requested
14	Reserved. Read as 0.
13	Get Left/Right. 0: Right amplifier gain is requested 1: Left amplifier gain is requested This bit should be ignored for output amplifier and MONO widget.
12:4	Reserved. Read as 0's.
3:0	Index[3:0] for Input Source. Select amplifier for this converter. If a widget has no multiple input sources, the index will be ignored.

Codec Response for NID=04h (MIC ADC) and 05h(MIX ADC)

Bit	Description
31:8	0's.
7	Bit-15 is 0 in 'Get Amplifier Gain': Input Amplifier Mute, 0: Unmute, 1: Mute Bit-15 is 1 in 'Get Amplifier Gain': Read as 0 (No Output Amplifier Mute). The Index bits in 'Get/Set Amplifier gain' verb for MIC ADC and MIX ADC should be ignored.
6:0	Bit-15 is 0 in 'Get Amplifier Gain': Input Amplifier Gain [6:0]. 7-bit step value (0~35) specifying the volume from 0B~+35dB in 1dB steps. Bit-15 is 1 in 'Get Amplifier Gain': Read as 0's (No Output Amplifier Mute).

Codec Response for NID=07h (MIXER Sum Widget)

Bit	Description
31:8	0's.
7	Bit-15 is 0 in 'Get Amplifier Gain': Input Amplifier Mute, 0: Unmute 1: Mute (Default for all Index). Bit-15 is 1 in 'Get Amplifier Gain': Read as 0 (No Output Amplifier Mute).
6:0	Bit-15 is 0 in 'Get Amplifier Gain': Input Amplifier Gain [6:0]. 7-bit step value (0~65) specifying the volume from -35dB~+30dB in 1dB steps. Bit-15 is 1 in 'Get Amplifier Gain': Read as 0's (No Output Amplifier Mute).

Codec Response for NID=08h~0Ah (Sum Widget: LOUT1, LOUT2, MONO Sum)

Bit	Description
31:8	0's.
7	Bit-15 is 0 in 'Get Amplifier Gain': Input Amplifier Mute, 0: Unmute, 1: Mute Bit-15 is 1 in 'Get Amplifier Gain': Read as 0 (No Output Amplifier Mute).
6:0	Bit-15 is 0 in 'Get Amplifier Gain': Read as 0 (No Input Amplifier Gain) Bit-15 is 1 in 'Get Amplifier Gain': Output Amplifier Gain [6:0]. 7-bit step value (0~64) specifying the volume from -64dB~0dB in 1dB steps. The Index bits in 'Get/Set Amplifier gain' for output amplifiers of LOUT1, LOUT2, and MONO Sum should be ignored.

Codec Response for NID=0Fh, 10h, 12h~15h (Pin Complex: LINE-OUT/HP-OUT/MIC1/MIC2/LINE1/LINE2)

Bit	Description
31:8	0's.
7	Bit-15 is 0 in 'Get Amplifier Gain': Read as 0. Bit-15 is 1 in 'Get Amplifier Gain': Output Amplifier Mute, 0: Unmute, 1: Mute (NID=0Fh~15h,Default=1)
6:0	Bit-15 is 0 in 'Get Amplifier Gain': Read as 0s. Bit-15 is 1 in 'Get Amplifier Gain': Read as 0 (No Output Amplifier Gain).

Codec Response for NID =11h (Pin Complex: MONO-OUT)

Bit	Description
31:8	0's.
7	'Get Amplifier Gain'. [15]=0: Read as 0. 'Get Amplifier Gain'. [15]=1 & 'Get Amplifier Gain'. [13]=0: Read as 0. 'Get Amplifier Gain'. [15]=1 & 'Get Amplifier Gain'. [13]=1: Output Amplifier Mute: 0: Unmute 1: Mute The Index bits in 'Get/Set Amplifier gain' verb should be ignored.
6:0	Bit-15 is 0 in 'Get Amplifier Gain': Read as 0s. Bit-15 is 1 in 'Get Amplifier Gain': Read as 0 (No Output Amplifier Gain).

Codec Response to Other NID

Bit	Description
31:0	Not supported (returns 00000000h).

8.10. Verb – Set Amplifier Gain (Verb ID=3h)

This verb is used to set amplifier gain/attenuation in each widget.

Table 43. Verb – Set Amplifier Gain (Verb ID=3h)

Set Command Format

Bit [31:28]	Bit [27:20]	Bit [19:8]	Payload Bit [7:0]
CAd=X	Node ID=Xh	Verb ID=3h	'Set' payload [7:0]

Codec Response Format

Response [31:0]
0's for all nodes

'Set' Payload in Command Bit[15:0]

Bit	Description
15	Set Output Amp. '1' indicates output amplifier gain will be set.
14	Set Input Amp. '1' indicates input amplifier gain will be set.
13	Set Left Amp. '1' indicates left amplifier gain will be set.
12	Set Right Amp '1' indicates right amplifier gain will be set.
11:8	Index Offset (for input amplifiers on Sum widgets and Selector Widgets). 5 bits index offset in connection list is used to select which input gain will be set on a Sum or a Selector widget. The index is ignored if the node is not a Sum or a Selector widget, or the 'Set Input Amp' bit is not set.
7	Mute. 0: Unmute 1: Mute ($-\infty$ gain)
6:0	Gain [6:0]. A 7-bit step value specifying the amplifier gain.

8.11. Verb – Get Converter Format (Verb ID=Ah)

Table 44. Verb – Get Converter Format (Verb ID=Ah)

Get Command Format

Bit [31:28]	Bit [27:20]	Bit [19:16]	Payload Bit [15:0]
CAd=X	Node ID=Xh	Verb ID=Ah	0's

Codec Response Format

Response [31:0]
Bit[15:0] are converter format

Codec Response for NID=02h, 03h (Output Converters: DAC and S/PDIF-OUT)

Codec Response for NID=04h~06h (Input Converters: MIC, MIX DAC and S/PDIF-IN)

Bit	Description
31:16	Reserved. Read as 0.
15	Stream Type (TYPE). 0: PCM 1: Non-PCM
14	Sample Base Rate (BASE). 0: 48kHz 1: 44.1kHz
13:11	Sample Base Rate Multiple (MULT). 000b: *1 001b: *2 010b: *3 011b: *4 100b~111b: Reserved.
10:8	Sample Base Rate Divisor (DIV). Not supported. Always read as 000b.
7	Reserved. Read as 0.
6:4	Bits per Sample (BITS). 000b: 8 bits 001b: 16 bits 010b: 20 bits 011b: 24 bits 100b: 32 bits 101b~111b: reserved
3:0	Reserved. Read as 0s.

Codec Response for other NID

Bit	Description
31:0	Not supported (returns 00000000h).

8.12. Verb – Set Converter Format (Verb ID=2h)

Table 45. Verb – Set Converter Format (Verb ID=2h)

Set Command Format

Bit [31:28]	Bit [27:20]	Bit [19:16]	Payload Bit [15:0]
CAd=X	Node ID=Xh	Verb ID=2h	Set format [15:0]

Codec Response Format

Response [31:0]
0's for all nodes

'Set' payload in command Bit [15:0]

Bit	Description
31:16	Reserved. Read as 0.
15	Stream Type (TYPE). 0: PCM 1: Non-PCM
14	Sample Base Rate (BASE). 0: 48kHz 1: 44.1kHz
13:11	Sample Base Rate Multiple (MULT). 000b: *1 001b: *2 010b: *3 011b: *4 100b~111b: Reserved.
10:8	Sample Base Rate Divisor (DIV). 000b: /1 001b: /2 010b: /3 011b: /4 100b: /5 101b: /6 110b: /7 111b: /8
7	Reserved. Read as 0.
6:4	Bits per Sample (BITS). 000b: 8 bits 001b: 16 bits 010b: 20 bits 011b: 24 bits 100b: 32 bits 101b~111b: Reserved
3:0	Number of Channels. Reserved. Read as 0.

8.13. Verb – Get Power State (Verb ID=F05h)

Table 46. Verb – Get Power State (Verb ID=F05h)

Get Command Format

Bit [31:28]	Bit [27:20]	Bit [19:8]	Payload Bit [7:0]
CAd=X	Node ID=Xh	Verb ID=F05h	0's

Codec Response Format

Response [31:0]
Power State [7:0]

Codec Response for NID=01h (Audio Function Group)

Bit	Description
31:6	Reserved. Read as 0's.
5:4	PS-Act. Actual Power State [1:0]. 00: Power state is D0 01: Power state is D1 10: Power state is D2 11: Power state is D3 PS-Act indicates the actual power state of the referenced node. For Audio Function Group nodes (NID=01h), PS-Act is always equal to PS-Set.

Codec Response for NID=01h (Audio Function Group)

Bit	Description
3:2	Reserved. Read as 0's.
1:0	PS-Set, Set Power State [1:0]. 00: Power state is D0 01: Power state is D1 10: Power state is D2 11: Power state is D3 PS-Set controls the current power setting of the referenced node.

Codec Response for other NID

Bit	Description
31:0	Not supported (returns 00000000h).

8.14. Verb – Set Power State (Verb ID=705h)

Table 47. Verb – Set Power State (Verb ID=705h)

Set Command Format

Bit [31:28]	Bit [27:20]	Bit [19:8]	Payload Bit [7:0]
CAd=X	Node ID=Xh	Verb ID=705h	Power State [7:0]

Codec Response Format

Response [31:0]
0's for all nodes

'Power State' in Command Bit [7:0]

Bit	Description
7:6	Reserved. Read as 0's.
5:4	PS-Act. Actual Power State [1:0]. 00: Power state is D0 01: Power state is D1 10: Power state is D2 11: Power state is D3 PS-Act indicates the actual power state of the referenced node.
3:2	Reserved. Read as 0's.
1:0	PS-Set, Set Power State [1:0]. 00: Power state is D0 01: Power state is D1 10: Power state is D2 11: Power state is D3

8.15. Verb – Get Converter Stream, Channel (Verb ID=F06h)

Table 48. Verb – Get Converter Stream, Channel (Verb ID=F06h)

Get Command Format

Bit [31:28]	Bit [27:20]	Bit [19:8]	Payload Bit [7:0]
CAd=X	Node ID=Xh	Verb ID=F06h	0's

Codec Response Format

Response [31:0]
Stream & Channel [7:0]

Codec Response for NID=02h, 03h (Output Converters: DAC and S/PDIF-OUT)

Codec Response for NID=04h~06h (Input Converters: MIC ADC, MIX DAC and S/PDIF-IN)

Bit	Description
31:8	Reserved. Read as 0's.
7:4	Stream [3:0]. The link stream used by the converter. 0000b is stream 0, 0001b is stream 1, etc.
3:0	Channel [3:0]. The lowest channel used by the converter. A stereo converter will use the set channel n as well as n+1 for its left and right channel.

Codec Response for other NID

Bit	Description
31:0	Not supported (returns 00000000h).

8.16. Verb – Set Converter Stream, Channel (Verb ID=706h)

Table 49. Verb – Set Converter Stream, Channel (Verb ID=706h)

Set Command Format

Bit [31:28]	Bit [27:20]	Bit [19:8]	Payload Bit [7:0]
CAd=X	Node ID=Xh	Verb ID=706h	Stream & Channel [7:0]

Codec Response Format

Response [31:0]
0's for all nodes

'Stream and Channel' in Command Bit [7:0]

Bit	Description
31:8	Reserved. Read as 0's.
7:4	Set Stream [3:0]. The link stream used by the converter. 0000b is stream 0, 0001b is stream 1, etc.
3:0	Set Channel [3:0]. The lowest channel used by the converter. A stereo converter will use the set channel n as well as n+1 for its left and right channel.

8.17. Verb – Get Pin Widget Control (Verb ID=F07h)

Table 50. Verb – Get Pin Widget Control (Verb ID=F07h)

Get Command Format

Bit [31:28]	Bit [27:20]	Bit [19:8]	Payload Bit [7:0]
CAd=X	Node ID=Xh	Verb ID=F07h	0's

Codec Response Format

Response [31:0]
Pin Control [7:0]

Codec Response for NID=0Fh, 10h, 11h, 12h, 13h, 14h, 15h

(Pin Complex: LINE-OUT, HP-OUT, MONO-OUT, MIC1, MIC2, LINE1, LINE2)

Bit	Description
31:1	Reserved. Read as 0's.
7	H-Phn Enable (Headphone Amplifier Enable, EN_AMP for a I/O unit). 0: Disabled 1: Enabled
6	Out Enable (Output Buffet Enable, EN_OBUF for a I/O unit). 0: Disabled 1: Enabled
5	In Enable (Input Buffer Enable, EN_IBUF for a I/O unit). 0: Disabled 1: Enabled
4:	Reserved.
2:0	VrefEn (Vrefout Enable Control). 000b: Hi-Z 001b: 50% of AVDD 010b: Ground 0V (Not supported) 011b: Reserved 100b: 80% of AVDD 101b: 100% of AVDD (Not supported) 110b~111b: Reserved Not supported

Codec Response for other NID

Bit	Description
31:0	Not supported (returns 00000000h).

8.18. Verb – Set Pin Widget Control (Verb ID=707h)

Table 51. Verb – Set Pin Widget Control (Verb ID=707h)

Set Command Format

Bit [31:28]	Bit [27:20]	Bit [19:8]	Payload Bit [7:0]
CAd=X	Node ID=Xh	Verb ID=707h	Pin Control [7:0]

Codec Response Format

Response [31:0]
0's for all nodes

'Pin Control' in command [7:0]: (Pin: LINE-OUT, HP-OUT, MONO-OUT, MIC1, MIC2, LINE1, LINE2)

Bit	Description
31:1	Reserved. Read as 0's.
7	H-Phn Enable (Headphone Amplifier Enable, EN_AMP for an I/O unit). 0: Disabled 1: Enabled
6	Out Enable (Output Buffet Enable, EN_OBUF for an I/O unit). 0: Disabled 1: Enabled
5	In Enable (Input Buffer Enable, EN_IBUF for a I/O unit). 0: Disabled 1: Enabled
4:	Reserved.
2:0	VrefEn (Vrefout Enable Control). 000b: Hi-Z 001b: 50% of AVDD 010b: Ground 0V (Not supported) 011b: Reserved (Not supported) 100b: 80% of AVDD 101b: 100% of AVDD (Not supported) 110b~111b: Reserved (Not supported)

8.19. Verb – Get Unsolicited Response Control (Verb ID=F08h)

Determines whether a widget is enabled to send an unsolicited response. An HDA codec can use an unsolicited response to inform software of a real-time event.

Table 52. Verb – Get Unsolicited Response Control (Verb ID=F08h)

Get Command Format

Bit [31:28]	Bit [27:20]	Bit [19:8]	Payload Bit [7:0]
CAd=X	Node ID=Xh	Verb ID= F08h	0's

Codec Response Format

Response [31:0]
32-bit Response

Codec Response for NID=06h (S/PDIF-IN), 0Fh, 10h, 12h~15h (Pin Complex), 1Bh (Volume Knob), NID=01h for GPIO

Bit	Description
31:8	Reserved. Read as 0's.
7	Unsolicited Response is Enabled. 0: Disabled 1: Enabled
6	Reserved. Read as 0's.
5:0	Assigned Tag for Unsolicited Response. The tag [5:0] is assigned by software to determine which widget generates unsolicited responses.

Codec Response for other NID

Bit	Description
31:0	Not supported (returns 00000000h).

8.20. Verb – Set Unsolicited Response Control (Verb ID=708h)

Enables a widget to generate an unsolicited response.

Table 53. Verb – Set Unsolicited Response Control (Verb ID=708h)

Set Command Format				Codec Response Format
Bit [31:28]	Bit [27:20]	Bit [19:8]	Payload Bit [7:0]	Response [31:0]
CAd=X	Node ID=Xh	Verb ID=708h	EnableUnsol [7:0]	0's for all nodes

'EnableUnsol' in Command Bit[7:0] for NID=01h (GPIO), 06h (S/PDIF-IN), 0Fh, 10h, 12h~15h (Pin), 1Bh (Vol Knob)

Bit	Description
31:8	Reserved. Read as 0's.
7	Enable Unsolicited Response. 0: Disable 1: Enable
6	Reserved. Read as 0's.
5:0	Tag for Unsolicited Response. Tag [5:0] is defined by software to assign a 6-bit tag for nodes that are enabled to generate unsolicited responses. A node enabled to generate unsolicited responses must return the assigned tag in the top six bits of every unsolicited response. According to the returned tag, software can identify which node generated the unsolicited response.

8.21. Verb – Get Pin Sense (Verb ID=F09h)

Returns the Presence Detect status and the impedance of a device attached to the pin.

Table 54. Verb – Get Pin Sense (Verb ID=F09h)

Get Command Format				Codec Response Format
Bit [31:28]	Bit [27:20]	Bit [19:8]	Payload Bit [7:0]	Response [31:0]
CAd=X	Node ID=Xh	Verb ID= F09h	0's	32-bit Response

Codec Response for NID=0F, 10h, 12h~15h (Pin Complex), 18h (Pin S/PDIF-OUT) and 19h (Pin S/PDIF-IN)

Bit	Description
31	Presence Detect Status. 0: No device is attached to the pin 1: Device is attached to the pin
30:0	Measured Impedance. 0x7FFFFFFF or 0xFFFFFFFF: Valid sense is not available or busy.

Codec Response for other NID

Bit	Description
31:0	Not supported (returns 00000000h).

8.22. Verb – Execute Pin Sense (Verb ID=709h)

Table 55. Verb – Execute Pin Sense (Verb ID=709h)

Command Format

Bit [31:28]	Bit [27:20]	Bit [19:8]	Payload Bit [7:0]
CAd=X	Node ID=Xh	Verb ID= 709h	Right Channel [0]

Codec Response Format

Response [31:0]
0's for all nodes

'Payload' in Command Bit [7:0] for NID=0Fh, 10h, 12h~15h

Bit	Description
7:1	Reserved. Read as 0's.
0	Right (Ring) Channel Select. 0: Sense Left channel (Tip) 1: Sense Right channel (Ring)

8.23. Verb – Get Configuration Default (Verb ID=F1Ch)

Reads the 32-bit sticky register for each Pin Widget configured by software.

Table 56. Verb – Get Configuration Default (Verb ID=F1Ch)

Get Command Format

Bit [31:28]	Bit [27:20]	Bit [19:8]	Payload Bit [7:0]
CAd=X	Node ID=Xh	Verb ID=F1Ch	0's

Codec Response Format

Response [31:0]
32-bit Response

Codec Response for NID=0Fh, 10h, 11h, 12h, 13h, 14h, 15h, 18h and 19h

Bit	Description
31:0	32-bit configuration information for each pin widget.

8.24. Verb – Set Configuration Default Bytes 0 ~ 3 (Verb ID=71Ch/71Dh/71Eh/71Fh for Bytes 0 ~ 3)

The BIOS can use this verb to figure out the default conditions for the Pin Widgets 14h~1Bh and 1Eh~1Fh such as placement and expected default device.

**Table 57. Verb – Set Configuration Default Bytes 0 ~ 3
(Verb ID=71Ch/71Dh/71Eh/71Fh for Bytes 0 ~ 3)**

Set Command Format				Codec Response Format	
Bit [31:28]	Bit [27:20]	Bit [19:8]	Payload Bit [7:0]	Response [31:0]	
CAd=X	Node ID=Xh	Verb ID=71Ch, 71Dh, 71Eh, 71Fh	Label [7:0]	0's for all nodes	

Note: Supported by Pin Widget NID=14h~1Bh, 1Eh and 1Fh. Other widgets will ignore this verb.

Codec Response for All NID

Bit	Description
31:0	0's.

8.25. Verb – Get BEEP Generator (Verb ID=F0Ah)

Table 58. Verb – Get BEEP Generator (Verb ID= F0Ah)

Get Command Format				Codec Response Format	
Bit [31:28]	Bit [27:20]	Bit [19:8]	Payload Bit [7:0]	Response [31:0]	
CAd=X	Node ID=Xh	Verb ID=F1Bh	0's	Divider [7:0]	

'Response' for NID=01h (Audio Function Group)

Bit	Description
31:8	Reserved.
7:0	Frequency Divider, F[7:0]. The internal BEEP frequency is the result of dividing the 48kHz clock by 4 times the number specified in F[7:0]. The lowest tone is 48kHz/(255*4)=47Hz. The highest tone is 48kHz/(1*4)=12kHz. A value of 00h in F[7:0] disables the internal BEEP generator and allows external PCBEEP input.

Codec Response for Other NID

Bit	Description
31:0	0's.

8.26. Verb – Set BEEP Generator (Verb ID=70Ah)

Table 59. Verb – Set BEEP Generator (Verb ID= 70Ah)

Set Command Format

Bit [31:28]	Bit [27:20]	Bit [19:8]	Payload Bit [7:0]
CAd=X	Node ID=Xh	Verb ID=71Bh	Divider [7:0]

Codec Response Format

Response [31:0]
0's for all nodes

'Divider' in Set Command

Bit	Description
31:8	Reserved.
7:0	Frequency Divider, F[7:0]. The internal BEEP frequency is the result of dividing the 48kHz clock by 4 times the number specified in F[7:0]. The lowest tone is $48\text{kHz}/(255*4)=47\text{Hz}$. The highest tone is $48\text{kHz}/(1*4)=12\text{kHz}$. A value of 00h in F[7:0] disables the internal BEEP generator and allows external PCBEEP input.

Note: All nodes except Audio Function Group (NID=01h) will ignore this verb.

Codec Response for All NID

Bit	Description
31:0	0's.

8.27. Verb – Get GPIO Data (Verb ID= F15h)

Table 60. Verb – Get GPIO Data (Verb ID= F15h)

Get Command Format

Bit [31:28]	Bit [27:20]	Bit [19:8]	Payload Bit [7:0]
CAd=X	Node ID=Xh	Verb ID=F15h	0's

Codec Response Format

Response [31:0]
32-bit Response

Codec Response for NID=01h (Audio Function Group)

Bit	Description
31:8	Reserved.
7:4	GPIO [7:4] (not supported).
3:0	GPIO [3:0] Data. The value written (output) or sensed (input) on the corresponding pin if it is enabled.

Codec Response for Other NID

Bit	Description
31:0	0's.

8.28. Verb – Set GPIO Data (Verb ID= 715h)

Table 61. Verb – Set GPIO Data (Verb ID= 715h)

Set Command Format

Bit [31:28]	Bit [27:20]	Bit [19:8]	Payload Bit [7:0]
CAd=X	Node ID=Xh	Verb ID=715h	Data [7:0]

Codec Response Format

Response [31:0]
0's for all nodes

'Data' in Set command for NID=01h (Audio Function Group)

Bit	Description
31:8	Reserved.
7:4	GPIO [7:4] (not supported).
3:0	GPIO [3:0] Output Data. The value written determines the value driven on a pin that is configured as an output pin.

Codec Response for All NID

Bit	Description
31:0	0's.

8.29. Verb – Get GPIO Enable Mask (Verb ID= F16h)

Table 62. Verb – Get GPIO Enable Mask (Verb ID= F16h)

Get Command Format

Bit [31:28]	Bit [27:20]	Bit [19:8]	Payload Bit [7:0]
CAd=X	Node ID=Xh	Verb ID=F16h	0's

Codec Response Format

Response [31:0]
EnableMask [7:0]

Codec Response for NID=01h (Audio Function Group)

Bit	Description
31:8	Reserved.
7:4	Reserved.
3:0	GPIO [3:0] Enable mask. 0: The corresponding GPIO pin is disabled and is in Hi-Z state 1: The corresponding GPIO pin is enabled. Its behavior is determined by the GPIO direction control

Codec Response for Other NID

Bit	Description
31:0	0's.

8.30. Verb – Set GPIO Enable Mask (Verb ID=716h)

Table 63. Verb – Set GPIO Enable Mask (Verb ID=716h)

Set Command Format

Bit [31:28]	Bit [27:20]	Bit [19:8]	Payload Bit [7:0]
CAd=X	Node ID=Xh	Verb ID=716h	Enable Mask [7:0]

Codec Response Format

Response [31:0]
0's for all nodes

Codec Response for NID=01h (Audio Function Group)

Bit	Description
31:8	Reserved.
7:4	GPIO [7:4] Enable Mask (not supported).
3:0	GPIO [3:0] Enable mask. 0: The corresponding GPIO pin is disabled and is in Hi-Z state 1: The corresponding GPIO pin is enabled. It's behavior is determined by the GPIO direction control

Codec Response for All NID

Bit	Description
31:0	0's.

8.31. Verb – Get GPIO Direction (Verb ID=F17h)

Table 64. Verb – Get GPIO Direction (Verb ID=F17h)

Get Command Format

Bit [31:28]	Bit [27:20]	Bit [19:8]	Payload Bit [7:0]
CAd=X	Node ID=Xh	Verb ID=F17h	0's

Codec Response Format

Response [31:0]
Direction [7:0]

Codec Response for NID=01h (Audio Function Group)

Bit	Description
31:8	Reserved.
7:4	GPIO [7:4] Direction Control (not supported).
3:0	GPIO [3:0] Direction Control. 0: The corresponding GPIO pin is configured as an input 1: The corresponding GPIO pin is configured as an output

Note: All nodes except Audio Function Group (NID=01h) will ignore this verb.

Codec Response for Other NID

Bit	Description
31:0	0's.

8.32. Verb – Set GPIO Direction (Verb ID=717h)

Table 65. Verb – Set GPIO Direction (Verb ID=717h)

Set Command Format

Bit [31:28]	Bit [27:20]	Bit [19:8]	Payload Bit [7:0]
CAd=X	Node ID=Xh	Verb ID=717h	Direction [7:0]

Codec Response Format

Response [31:0]
0's for all nodes

Codec Response for NID=01h (Audio Function Group)

Bit	Description
31:8	Reserved.
7:4	GPIO [7:4] Direction Control (not supported).
3:0	GPIO [3:0] Direction Control. 0: The corresponding GPIO pin is configured as an input 1: The corresponding GPIO pin is configured as an output

Codec Response for Other NID

Bit	Description
31:0	0's.

8.33. Verb – Get GPIO Unsolicited Response Enable Mask (Verb ID=F19h)

Table 66. Verb – Get GPIO Unsolicited Response Enable Mask (Verb ID=F19h)

Get Command Format

Bit [31:28]	Bit [27:20]	Bit [19:8]	Payload Bit [7:0]
CAd=X	Node ID=Xh	Verb ID=F19h	0's

Codec Response Format

Response [31:0]
UnsolEnable [7:0]

Codec Response for NID=01h (Audio Function Group)

Bit	Description
31:8	Reserved.
7:4	GPIO [7:4] Unsolicited Enable Mask (not supported).
3:0	GPIO [3:0] Unsolicited Enable mask. 0: Unsolicited response will not be sent on link 1: Unsolicited response will be sent on link when state of corresponding GPIO has been changed

Codec Response for Other NID

Bit	Description
31:0	0's.

8.34. Verb – Set GPIO Unsolicited Response Enable Mask (Verb ID=719h)

Table 67. Verb – Set GPIO Unsolicited Response Enable Mask (Verb ID=719h)

Set Command Format

Bit [31:28]	Bit [27:20]	Bit [19:8]	Payload Bit [7:0]
CAd=X	Node ID=Xh	Verb ID=719h	UnsolEnable [7:0]

Codec Response Format

Response [31:0]
0's for all nodes

Codec Response for NID=01h (Audio Function Group)

Bit	Description
31:8	Reserved.
7:4	GPIO [7:4] Unsolicited Enable Mask (not supported).
3:0	GPIO [3:0] Unsolicited Enable Mask. 0: Unsolicited response will not be sent on link 1: Unsolicited response will be sent on link when state of corresponding GPIO has been changed

Codec Response for Other NID

Bit	Description
31:0	0's.

8.35. Verb – Function Reset (Verb ID=7FFh)

Table 68. Verb – Function Reset (Verb ID=7FFh)

Command Format (NID=01H)

Bit [31:28]	Bit [27:20]	Bit [19:8]	Payload Bit [7:0]
CAd=X	Node ID=01h	Verb ID=7FFh	0's

Codec Response Format

Response [31:0]
0's

Codec Response

Bit	Description
31:0	Reserved. Read as 0's.

Note: The Function Reset command causes all widgets to return to their power-on default state.

8.36. Verb – Get Digital Converter Control (Verb ID= F0Dh)

Table 69. Verb – Get Digital Converter Control (Verb ID= F0Dh)

Get Command Format

Bit [31:28]	Bit [27:20]	Bit [19:8]	Payload Bit [7:0]
CAd=X	Node ID=Xh	Verb ID=F0Dh	0's

Codec Response Format

Response [31:0]
Bit[31:16]=0's, Bit[15:0] are SIC bits

NID=03h (S/PDIF-OUT) Response to 'Get verb' – F0Dh (Control for SIC bit[15:0])

Bit	Description – SIC (S/PDIF IEC Control) Bit[7:0]
31:16	Read as 0's.
15	Reserved. Read as 0's.
14:8	CC[6:0] (Category Code).
7	LEVEL (Generation Level).
6	PRO (Professional or Consumer format). 0: Consumer format 1: Professional format Only consumer channel status format is supported. This bit is always 0.
5	/AUDIO (Non-Audio Data type). 0: PCM data 1: AC3 or other digital non-audio data
4	COPY (Copyright). 0: Asserted 1: Not asserted
3	PRE (Pre-emphasis). 0: None 1: Filter pre-emphasis is 50/15 microseconds
2	VCFG for Validity Control (control V bit and data in Sub-Frame).
1	V for Validity Control (control V bit and data in Sub-Frame).
0	Digital Enable. DigEn. 0: OFF (S/PDIF-OUT is in Hi-Z) 1: ON

NID=06h (S/PDIF-IN) Response to 'Get verb (F0Dh)'

Bit	Description – S/PDIF-IN Channel Status
31:16	Reserved. Read as 0's.
15	Reserved. Read as 0's.
14:8	CC[6:0] (Category Code).
7	LEVEL (Generation Level).
6	PRO (Professional or Consumer format). 0: Consumer format 1: Professional format Only consumer channel status format is supported. This bit is always 0.
5	/AUDIO (Non-Audio Data type). 0: PCM data 1: AC3 or other digital non-audio data

NID=06h (S/PDIF-IN) Response to 'Get verb (F0Dh)'

Bit	Description – S/PDIF-IN Channel Status
4	COPY (Copyright). 0: Asserted 1: Not asserted
3	PRE (Pre-emphasis). 0: None 1: Filter pre-emphasis is 50/15 microseconds
2	Reserved.
1	In'V'valid. V bit in sub-frame of S/PDIF-IN. 0: Data X and Y are valid, or S/PDIF-IN is not locked 1: At least one of data X and Y is invalid
0	DigEn (Digital Enable). 0: OFF 1: ON (S/PDIF-IN is enabled)

Codec Response for Other NID

Bit	Description
31:0	0's.

8.37. Verb – Set Digital Converter Control 1 & Control 2 (Verb ID=70Dh, 70Eh)

Table 70. Verb – Set Digital Converter Control 1 & Control 2 (Verb ID=70Dh, 70Eh)

Set Command Format (Verb ID=70Xh, Set Control 1)

Bit [31:28]	Bit [27:20]	Bit [19:8]	Payload Bit [7:0]
CAd=X	Node ID=Xh	Verb ID=70Dh	SIC [7:0]

Codec Response Format

Response [31:0]
0's

Set Command Format (Verb ID=70Yh, Set Control 2)

Bit [31:28]	Bit [27:20]	Bit [19:8]	Payload Bit [7:0]
CAd=X	Node ID=Xh	Verb ID=70Eh	SIC [15:8]

Codec Response Format

Response [31:0]
0's

'Payload' in Set Control 1 for NID=06h (S/PDIF-OUT)

Bit	Description – SIC (S/PDIF IEC Control) Bit [7:0]
7	LEVEL (Generation Level).
6	PRO (Professional or Consumer format). 0: Consumer format 1: Professional format
5	/AUDIO (Non-Audio Data type). 0: PCM data 1: AC3 or other digital non-audio data

‘Payload’ in Set Control 1 for NID=06h (S/PDIF-OUT)

Bit	Description – SIC (S/PDIF IEC Control) Bit [7:0]
4	COPY (Copyright). 0: Asserted 1: Not asserted
3	PRE (Pre-emphasis). 0: None 1: Filter pre-emphasis is 50/15 microseconds
2	VCFG for Validity Control (control V bit and data in Sub-Frame).
1	V for Validity Control (control V bit and data in Sub-Frame).
0	DigEn (Digital Enable). 0: OFF (S/PDIF-OUT is in Hi-Z) 1: ON

‘Payload’ in Set Control 2 for NID=06h (S/PDIF-OUT)

Bit	Description – SIC (S/PDIF IEC Control) Bit[7:0]
7	Reserved. Read as 0’s.
6:0	CC[6:0] (Category Code).

‘Payload’ in Set Control 1 for NID=0Ah (S/PDIF-IN)

Bit	Description – SIC (S/PDIF IEC Control) Bit[7:0]
7:1	Reserved.
0	DigEn (Digital Enable). 0: OFF 1: ON (S/PDIF-IN is enabled)

‘Payload’ in Set Control 2 for NID=0Ah (S/PDIF-IN)

Bit	Description – SIC (S/PDIF IEC Control) Bit[7:0]
7:0	Reserved. Read as 0’s.

Note: Other widgets will ignore this verb.

8.38. Verb – Get/Set EAPD Enable (Verb ID= F0Ch/70Ch)

Table 71. Verb – Get/Set EAPD Enable (Verb ID= F0Ch/70Ch)

Get Command Format

Bit [31:28]	Bit [27:20]	Bit [19:8]	Payload Bit [7:0]
CAd=X	Node ID=Xh	Verb ID= F0Ch	0's

Codec Response Format

Response [31:0]
Bit[1] is EAPD Control

Codec response in Get Command for NID=0Fh (LINE-OUT Pin Widget), 10h (HP-OUT Pin Widget)

Bit	Description
31:4	Reserved.
2	L-R Swap. Not supported. Read as 0.
1	EAPD Enable. 0: EAPD pin state is not controlled by the power state of the corresponding pin widget 1: EAPD pin state is controlled by the power state of the corresponding pin widget
0	BTL Enable. Not supported. Read as 0.

Codec Response in Get Command for other NID

Bit	Description
31:0	0's.

Set Command Format

Bit [31:28]	Bit [27:20]	Bit [19:8]	Payload Bit [7:0]
CAd=X	Node ID=Xh	Verb ID=70Ch	Bit [1] is EAPD Control

Codec Response Format

Response [31:0]
0's

Payload in Set Command for NID=0Fh (LINE-OUT Pin Widget), 10h (HP-OUT Pin Widget)

Bit	Description
7:3	Reserved.
2	L-R Swap. Not supported. Read as 0.
1	EAPD Enable. 0: EAPD pin state is not controlled by the power state of the corresponding pin widget 1: EAPD pin state is controlled by the power state of the corresponding pin widget
0	BTL Enable. Not supported. Read as 0.

Note: All nodes except NID=0Fh and NID=10h will ignore this verb.

Codec Response in Set Command for all NID

Bit	Description
31:0	0's.

8.39. Get/Set Volume Knob Widget (NID=1Bh) (Verb ID=F0Fh/70Fh)

Table 72. Get/Set Volume Knob Widget (NID=21h) (Verb ID= F0Fh/70Fh)

Get Command Format

Bit [31:28]	Bit [27:20]	Bit [19:8]	Payload Bit [7:0]
CAd=X	Node ID=Xh	Verb ID=F0Fh	0's

Codec Response Format

Response [31:0]
Bit [31:8]=0's, Bit [7:0] is volume

Codec Response for NID=1Bh (Volume Knob Widget)

Bit	Description
31:8	Reserved.
7	Direct. Not supported. Response will be 0 for this bit.
6:0	Volume in steps. Volume in steps is a sensed DC Voltage Code at the DCVOL pin. An integrated 6-bit ADC supports a maximum of 64 volume steps.

Set Command Format

Bit [31:28]	Bit [27:20]	Bit [19:8]	Payload Bit [7:0]
CAd=X	Node ID=Xh	Verb ID=70Fh	Bit [7] is 'Direct' control

Codec Response Format

Response [31:0]
0's

'Payload' in Set Command for NID=1Bh (Volume Knob Widget)

Bit	Description
31:8	Reserved.
7	Direct. Not supported. This bit will be ignored.
6:0	Reserved.

8.40. Verb – Get Subsystem ID [31:0] (Verb ID=F20h/F21h/F22h/F23h)

Table 73. Verb – Get Subsystem ID [31:0] (Verb ID=F20h/F21h/F22h/F23h)

Get Command Format

Bit [31:28]	Bit [27:20]	Bit [19:8]	Payload Bit [7:0]
CAd = X	Node ID=01h	Verb ID=F20h	0s

Codec Response Format

Response [31:0]
32-bit Response

Codec Response for NID=01h

Bit	Description
31:16	Subsystem ID (Default=0260h).
15:8	Reserved. Read as 0's.
7:0	Assembly ID. Read as 0.

Note: Not supported in the ALC260 and ALC260-LF.

8.41. Verb – Set Subsystem ID [31:0] (Verb ID=723h for [31:24], 722h for [23:16], 721h for [15:8], 720h for [7:0])

**Table 74. Verb – Set Subsystem ID [31:0]
(Verb ID=723h for [31:24], 722h for [23:16], 721h for [15:8], 720h for [7:0])**

Set Command Format				Codec Response Format
Bit [31:28]	Bit [27:20]	Bit [19:8]	Payload Bit [7:0]	Response [31:0]
CAd = X	Node ID=01h	Verb ID=723h, 722h, 721h, 720h	Label [7:0]	0s for all nodes

Note1: Supported by Audio Function Group NID=01h, other widgets will ignore this verb.

Note2: The BIOS can use these verbs to set the customized sub-system ID for Audio Function Group (NID=01h).

Note3: Not supported in the ALC260 and ALC260-LF.

Codec Response for all NID

Bit	Description
31:0	0s.

9. Characteristics

9.1. DC Characteristics

9.1.1. Absolute Maximum Ratings

Table 75. Absolute Maximum Ratings

Parameter	Symbol	Minimum	Typical	Maximum	Units
Power Supplies:					
Digital	DVDD	3.0	3.3	3.6	V
Analog	AVDD	3.8	5.0	5.25	V
Ambient Operating Temperature	Ta	0	-	+70	°C
Storage Temperature	Ts			+125	°C
ESD (Electrostatic Discharge)					
Susceptibility Voltage					
All Pins				4500V	

9.1.2. Threshold Voltage

DVDD = 3.3V±5%, T_{ambient} = 25°C, with 50pF external load.

Table 76. Threshold Voltage

Parameter	Symbol	Minimum	Typical	Maximum	Units
Input Voltage Range	V _{in}	-0.30	-	DVDD +0.30	V
Low Level Input Voltage (BCLK, RST#, SDO, SYNC, SDI)	V _{IL}	-	-	0.30*DVDD (1.00)	V
High Level Input Voltage (BCLK, RST#, SDO, SYNC, SDI)	V _{IH}	0.65* DVDD (2.00)	-	-	V
Low Level Input Voltage (S/PDIF-IN/OUT, GPIOs)	V _{IL}	-	-	0.44*DVDD (1.45)	V
High Level Input Voltage (S/PDIF-IN/OUT, GPIOs)	V _{IH}	0.56* DVDD (1.85)	-	-	V
High Level Output Voltage	V _{OH}	0.9*DVDD		-	V
Low Level Output Voltage	V _{OL}	-	-	0.1*DVDD	V
Input Leakage Current	-	-10	-	10	μA
Output Leakage Current (Hi-Z)	-	-10	-	10	μA
Output Buffer Drive Current	-	-	5	-	mA
Internal Pull Up Resistance	-	-	50k	100k	Ω

9.1.3. Digital Filter Characteristics

Table 77. Digital Filter Characteristics

Filter	Symbol	Minimum	Typical	Maximum	Units
ADC Lowpass Filter	Passband	0	-	19.2	kHz
	Stopband	28.8			kHz
	Stopband Rejection		-76.0		dB
	Passband Frequency Response		±0.20		dB
DAC Lowpass Filter	Passband	0	-	19.2	kHz
	Stopband	28.8			kHz
	Stopband Rejection		-78.5		dB
	Passband Frequency Response		±0.20		dB

9.1.4. S/PDIF Input/Output Characteristics

DVDD= 3.3V, T_{ambient}=25°C, with 75Ω external load.

Table 78. S/PDIF Input/Output Characteristics

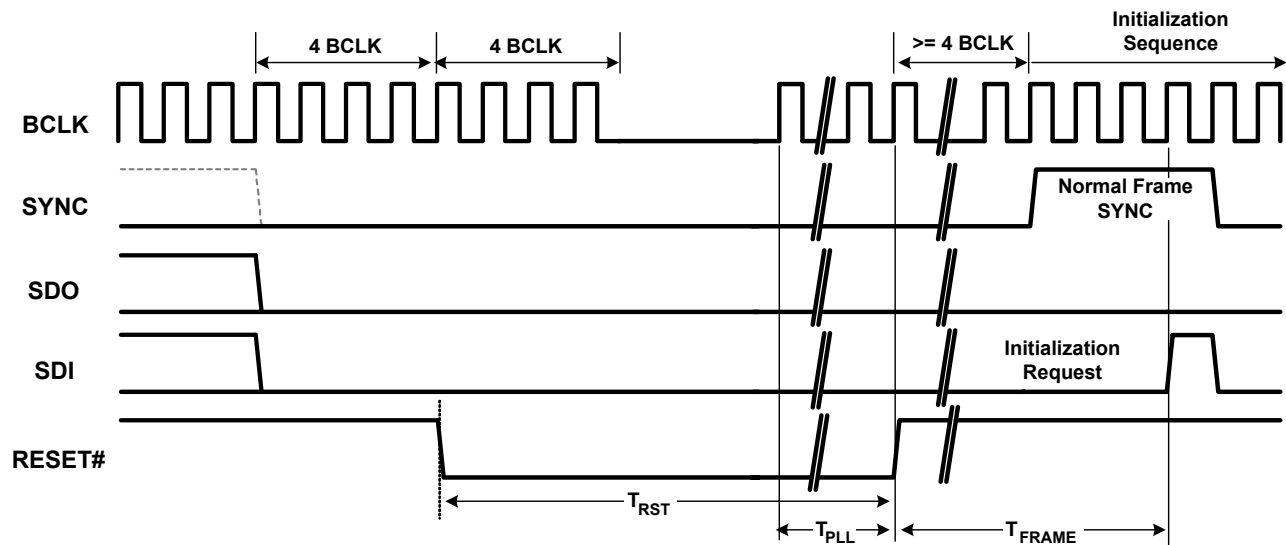
Parameter	Symbol	Minimum	Typical	Maximum	Units
S/PDIF-OUT High Level Output	V _{OH}	3.0	3.3	-	V
S/PDIF-OUT Low Level Output	V _{OL}	-	0	0.3	V
S/PDIF-IN High Level Input	V _{IH}	1.85	-	-	V
S/PDIF-IN Low Level Input	V _{IL}	-	-	1.45	V
S/PDIF-IN Bias Level	V _t	-	1.65	-	V

9.2. AC Characteristics

9.2.1. Link Reset and Initialization Timing

Table 79. Link Reset and Initialization Timing

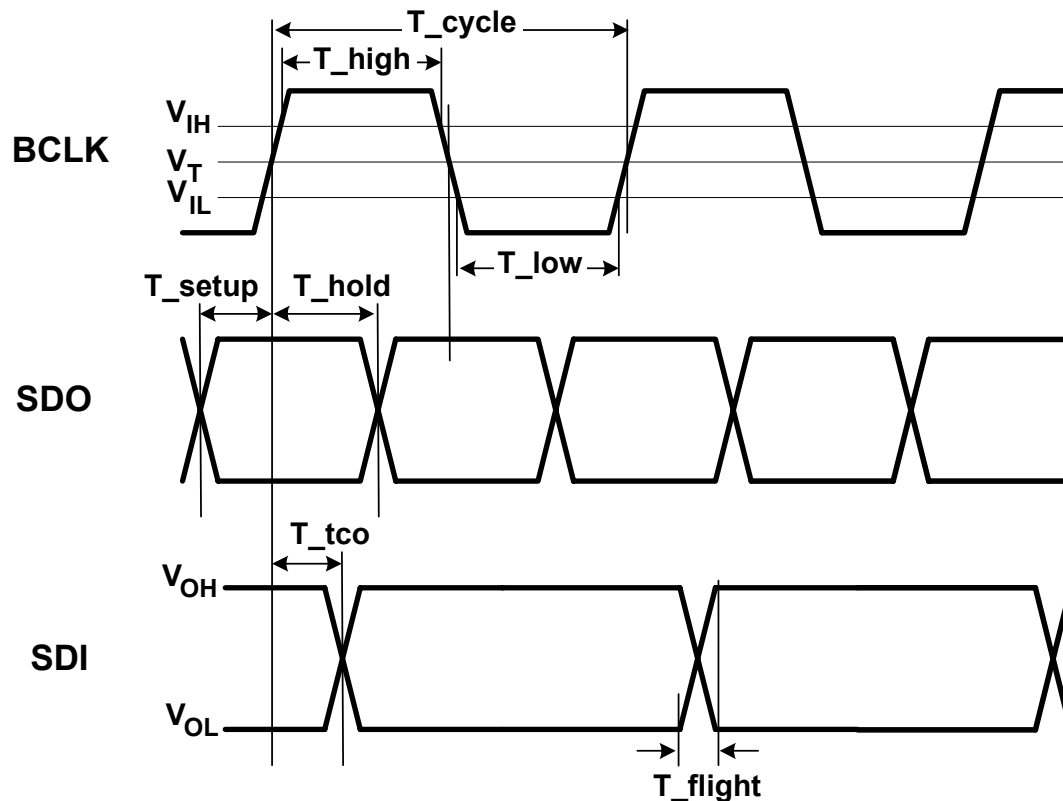
Parameter	Symbol	Minimum	Typical	Maximum	Units
RESET# Active Low Pulse Width	T_{RST}	1.0	-	-	μs
RESET# Inactive to BCLK Startup delay for PLL ready time	T_{PLL}	20	-	-	μs
SDI Initialization Request	T_{FRAME}	-	-	1	Frame Time


Figure 13. Link Reset and Initialization Timing

9.2.2. Link Timing Parameters at the Codec

Table 80. Link Timing Parameters at the Codec

Parameter	Symbol	Minimum	Typical	Maximum	Units
BCLK Frequency		-	24.0	-	MHz
BCLK Period	T_{cycle}	-	41.67	-	ns
BCLK Jitter	T_{jitter}	-	-	2.0	ns
BCLK High Pulse Width	T_{high}	18.75 (45%)	-	22.91 (55%)	ns (%)
BCLK Low Pulse Width	T_{low}	18.75 (45%)	-	22.91 (55%)	ns (%)
SDO Setup Time at Both Rising and Falling Edge of BCLK	T_{setup}	2.1	-	-	ns
SDO Hold Time at Both Rising and Falling Edge of BCLK	T_{hold}	2.1	-	-	ns
SDI Valid Time After Rising Edge of BCLK (1: 50pF external load)	T_{tco}	-	7.5	8.0	ns
SDI Flight Time	T_{flight}	-	2.0	-	ns


Figure 14. Link Signals Timing

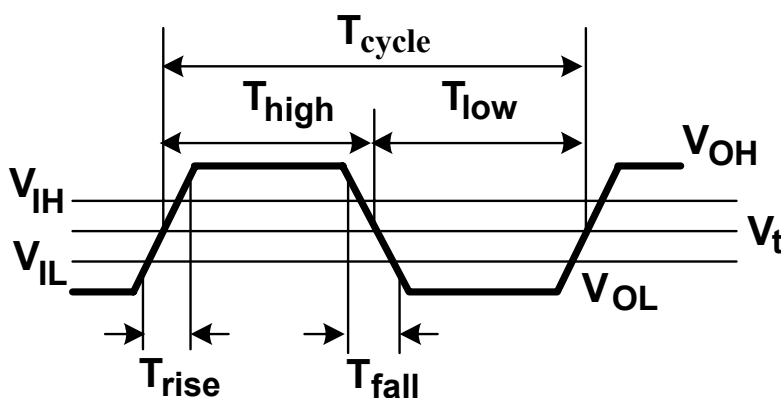
9.2.3. S/PDIF Output and Input Timing

Table 81. S/PDIF Output and Input Timing

Parameter	Symbol	Minimum	Typical	Maximum	Units
S/PDIF-OUT Frequency ^{*1}	-	-	6.144	-	MHz
S/PDIF-OUT Period ^{*1}	T_{cycle}	-	162.8	-	ns
S/PDIF-OUT Jitter	T_{jitter}	-	-	4	ns
S/PDIF-OUT High Level Width ^{*1}	T_{High}	78.1 (48%)	81.4 (50%)	84.6 (52%)	ns (%)
S/PDIF-OUT Low Level Width ^{*1}	T_{Low}	78.1 (48%)	81.4 (50%)	84.6 (52%)	ns (%)
S/PDIF-OUT Rising Time	T_{rise}	-	2.0	-	ns
S/PDIF-OUT Falling Time	T_{fall}	-	2.0	-	ns
S/PDIF-IN Period ^{*2}	T_{cycle}	-	162.8	-	ns
S/PDIF-IN Jitter	T_{jitter}	-	-	10	ns
S/PDIF-IN High Level Width ^{*2}	T_{High}	73.2 (45%)	81.4 (50%)	89.5 (55%)	ns (%)
S/PDIF-IN Low Level Width ^{*2}	T_{Low}	73.2 (45%)	81.4 (50%)	89.5 (55%)	ns (%)

^{*1}: Bit parameters for 48kHz sample rate of S/PDIF-OUT

^{*2}: Bit parameters for 48kHz sample rate of S/PDIF-IN


Figure 15. Input and Output Timing

9.2.4. Test Mode

Codec test mode and Automatic Test Equipment (ATE) mode are not supported.

9.3. Analog Performance

Standard Test Conditions

$T_{\text{ambient}}=25^{\circ}\text{C}$, $DVDD=3.3\text{V} \pm 5\%$, $AVDD=5.0\text{V} \pm 5\%$

1kHz input sine wave; Sampling frequency=48kHz; 0dB=1Vrms

10K Ω /50pF load; Test bench Characterization BW: 10Hz~22kHz, 0dB attenuation

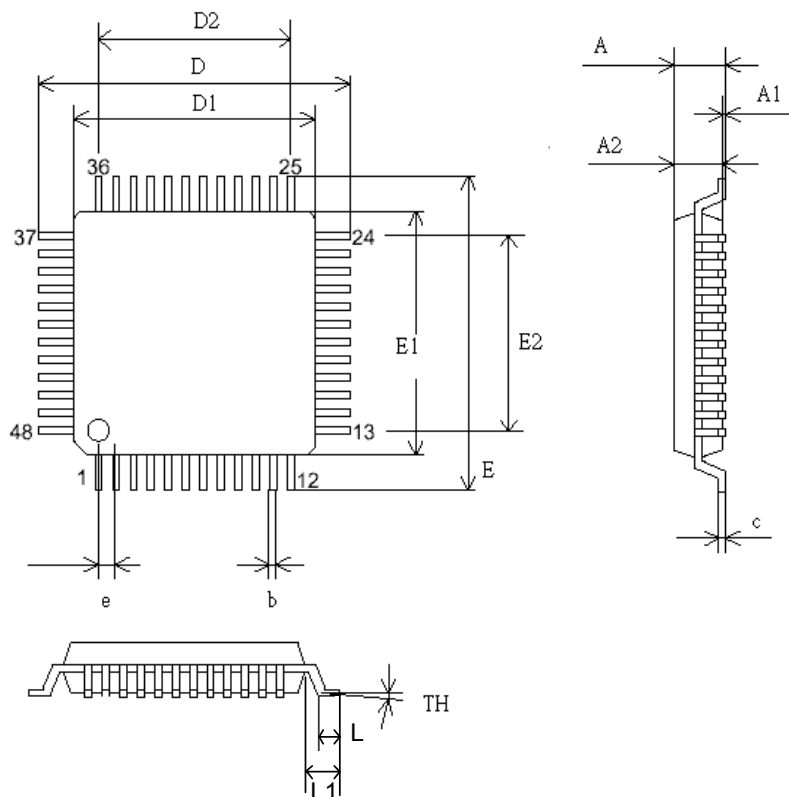
Table 82. Analog Performance

Parameter	Min	Typ	Max	Units
Full Scale Input Voltage				
All Inputs (gain=0dB)	-	1.6	-	Vrms
All ADC	-	1.1	-	Vrms
Full Scale Output Voltage				
All DAC	-	1.1	--	Vrms
S/N (A Weighted)				
Analog Inputs to Outputs	-	95	-	dB FSA
ADC	-	90	-	dB FSA
DAC	-	95	-	dB FSA
THD+N				
Analog Inputs to Outputs	-	-90	-	dB FS
ADC	-	-85	-	dB FS
DAC	-	-90	-	dB FS
Frequency Response				
Mixers	10	-	22,000	Hz
ADC, DAC	16	-	19,200	Hz
Power Supply Rejection	-	-40	-	dB
Total Out-of-Band Noise (28.8kHz~100kHz)	-	-60	-	dB
Amplifier Gain Step	-	1	-	dB
Crosstalk Between Input Channels	-	-80	-	dB
Input Impedance (gain=0dB)		64		K Ω
Output Impedance				
Amplified Output		1		Ω
Non-amplified Output		200	47,000	Ω
Digital Power Supply Current (normal operation)				
DVDD=3.3V	-	35	-	mA
Digital Power Supply Current (power down mode)				
DVDD=3.3V	-	-	600	μA
Analog Power Supply Current (normal operation)				
AVDD=5.0V/3.8V	-	68/57	-	mA
Analog Power Supply Current (power down mode)				
AVDD=5.0V/3.8V	-	-	600/460	μA
VREFOUTx Output Voltage	2.25	2.50	3.75	V
VREFOUTx Output Current		5		mA

10. Application Circuits

Please contact Realtek for the latest application circuits. To get the best compatibility in hardware design and software driver, Realtek should confirm any modification of application circuits. Realtek may upload the latest application circuits onto our web site (www.realtek.com.tw) without modifying this datasheet.

11. Mechanical Dimensions



SYMBOL	MILLIMETER			INCH		
	MIN.	TYP	MAX.	MIN.	TYP	MAX.
A			1.60			0.063
A1	0.05		0.15	0.002		0.006
A2	1.35	1.40	1.45	0.053	0.055	0.057
c	0.09		0.20	0.004		0.008
D	9.00 BSC			0.354 BSC		
D1	7.00 BSC			0.276 BSC		
D2	5.50			0.217		
E	9.00 BSC			0.354 BSC		
E1	7.00BSC			0.276 BSC		
E2	5.50			0.217		
b	0.17	0.20	0.27	0.007	0.008	0.011
e	0.50 BSC			0.0196 BSC		
TH	0°	3.5°	7°	0°	3.5°	7°
L	0.45	0.60	0.75	0.018	0.0236	0.030
L1		1.00			0.0393	

TITLE: LQFP-48 (7.0x7.0x1.6mm)		
PACKAGE OUTLINE DRAWING, FOOTPRINT		
2.0mm		
LEADFRAME MATERIAL		
APPROVE	DOC. NO.	
	VERSION	02
CHECK	DWG NO.	PKGC-065
	DATE	
REALTEK SEMICONDUCTOR CORP.		

12. Ordering Information

Table 83. Ordering Information

Part Number	Package	Status
ALC260	LQFP-48. HDA ver. 0.9 compliant	
ALC260-LF	ALC260 with Lead (Pb)-Free LQFP-48 package	
ALC260-VD	LQFP-48. HDA ver. 1.0 compliant	
ALC260-VD-LF	ALC260-VD with Lead (Pb)-Free LQFP-48 package	
ALC260D	ALC260-VD + Dolby® Digital Live (software feature)	
ALC260D-LF	ALC260D + Lead (Pb)-Free LQFP-48 package	
ALC260-VE	LQFP-48, HDA ver. 1.0 compliant (no PCBeep Pass-Through)	
ALC260-VE-LF	ALC260-VE with Lead (Pb)-Free LQFP-48 package	
ALC260D-VE	ALC260-VE + Dolby® Digital Live (software feature)	
ALC260D-VE-LF	ALC260D-VE + Lead (Pb)-Free LQFP-48 package	

Note 1: See page 5 for lead (Pb)-free package and version identification.

Note 2: Above parts are tested under AVDD = 5.0V. If customers have lower AVDD request, please contact Realtek sales representatives or agents.

Realtek Semiconductor Corp.

Headquarters

No. 2, Innovation Road II, Science Park

Hsinchu, 300, Taiwan, R.O.C.

Tel: 886-3-5780211 Fax: 886-3-5780213

www.realtek.com.tw