

# ASSP For Power Management Applications (DC/DC Converter for DSC/Camcorder)

## 4-ch DC/DC Converter IC

# MB39A102

### ■ DESCRIPTION

The MB39A102 is a 4-channel DC/DC converter IC using pulse width modulation (PWM). This IC is ideal for up conversion, down conversion, and up/down conversion.

4ch is built in TSSOP-30P/BCC-32P package. Each channel can be controlled, and soft-start.

This is an ideal power supply for high-performance portable devices such as digital still cameras.

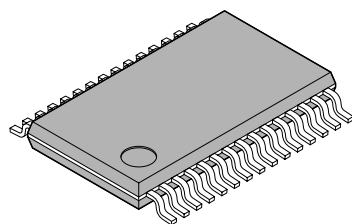
This product is covered by US Patent Number 6,147,477.

### ■ FEATURES

- Supports for down-conversion and up/down Zeta conversion (CH1 to CH3)
- Supports for up-conversion and up/down Sepic conversion (CH4)
- Power supply voltage range : 2.5 V to 11 V
- Reference voltage : 2.0 V  $\pm$  1 %
- Error amplifier threshold voltage : 1.24 V  $\pm$  1.5 %
- Built-in totem-pole type output for MOS FET
- Built-in soft-start circuit without load dependence
- High-frequency operation capability : 1.5 MHz (Max)
- External short-circuit detection capability by -INS terminal

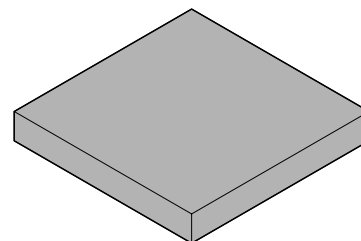
### ■ PACKAGES

30-pin plastic TSSOP



(FPT-30P-M04)

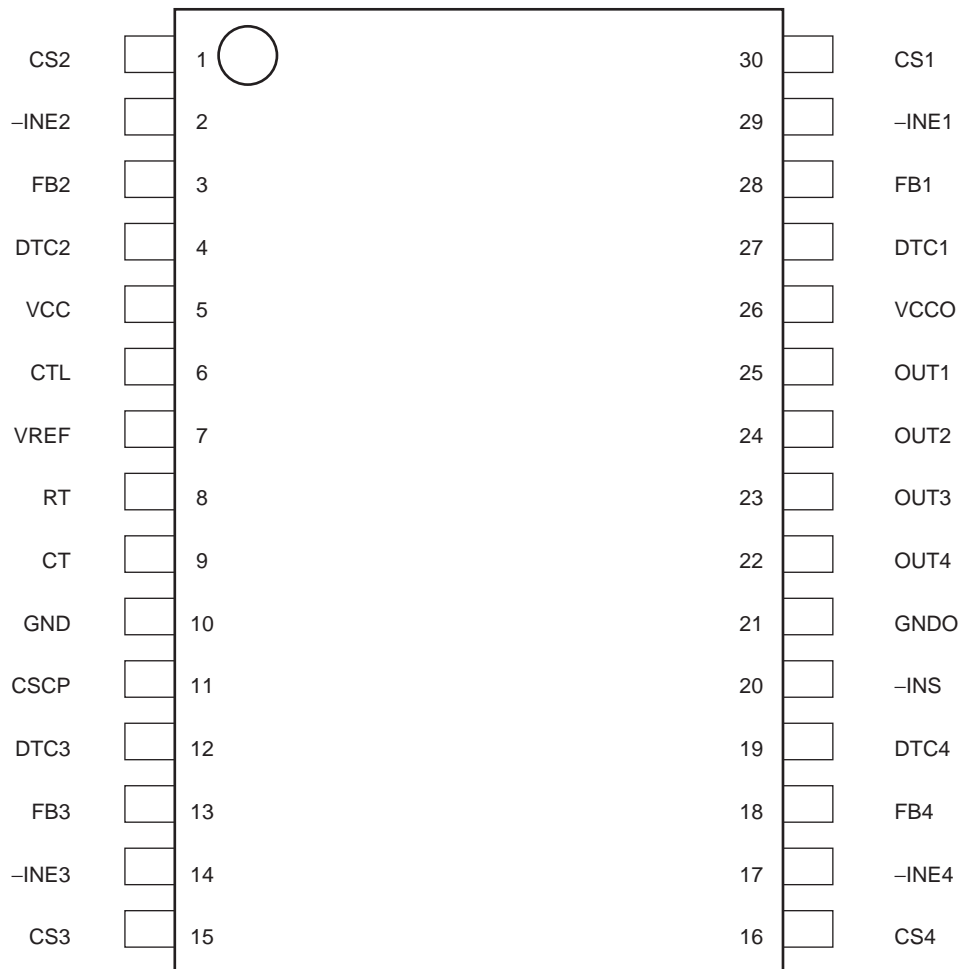
32-pad plastic BCC



(LCC-32P-M08)

## ■ PIN ASSIGNMENTS

(TOP VIEW)

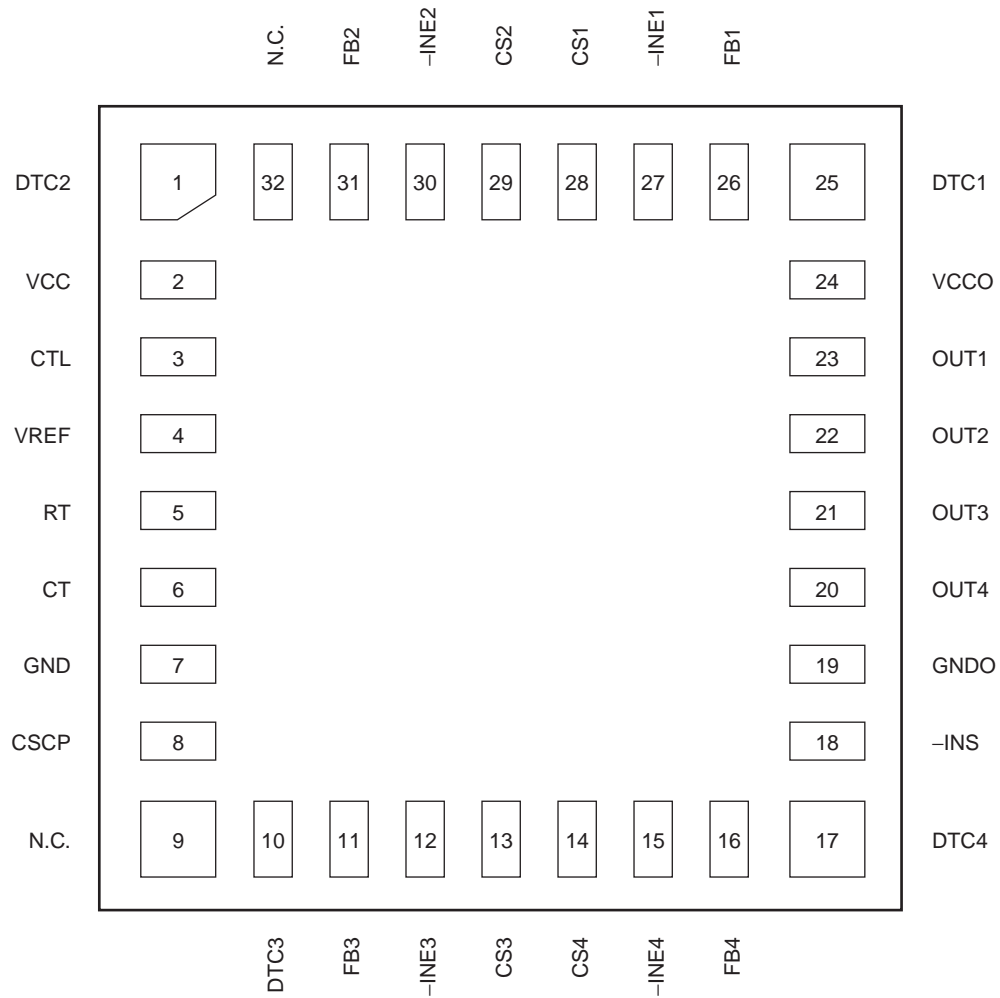


(FPT-30P-M04)

(Continued)

(Continued)

(TOP VIEW)  
(Penetration fig from surface)



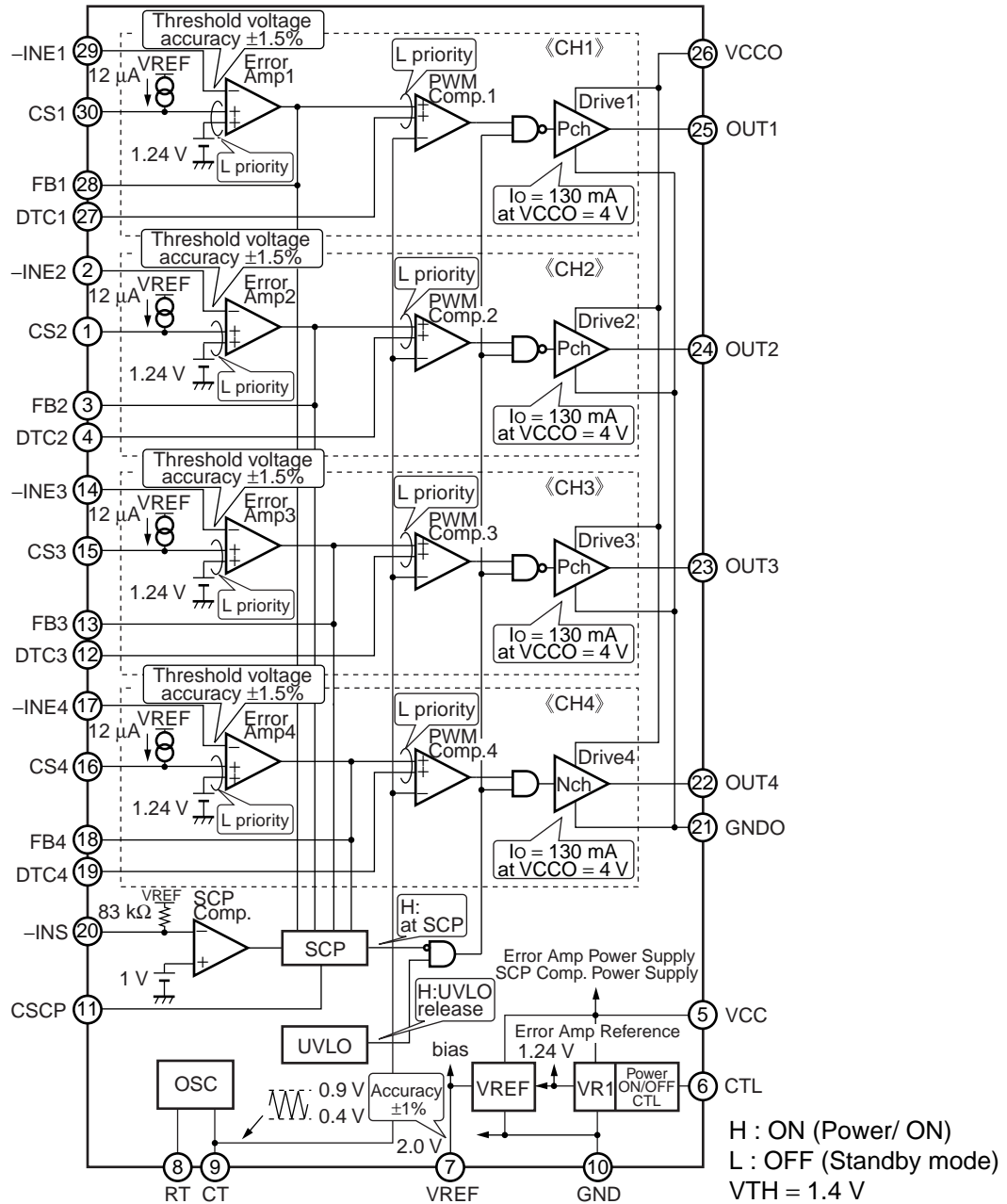
(LCC-32P-M08)

# MB39A102

## ■ PIN DESCRIPTION

Pin No.			Symbol	I/O	Descriptions
PKG	TSSOP	BCC			
CH1	27	25	DTC1	I	Dead time control terminal
	28	26	FB1	O	Error amplifier output terminal
	29	27	-INE1	I	Error amplifier inverted input terminal
	30	28	CS1	—	Soft-start capacitor connection terminal
	25	23	OUT1	O	Output terminal
CH2	4	1	DTC2	I	Dead time control terminal
	3	31	FB2	O	Error amplifier output terminal
	2	30	-INE2	I	Error amplifier inverted input terminal
	1	29	CS2	—	Soft-start capacitor connection terminal
	24	22	OUT2	O	Output terminal
CH3	12	10	DTC3	I	Dead time control terminal
	13	11	FB3	O	Error amplifier output terminal
	14	12	-INE3	I	Error amplifier inverted input terminal
	15	13	CS3	—	Soft-start capacitor connection terminal
	23	21	OUT3	O	Output terminal
CH4	19	17	DTC4	I	Dead time control terminal
	18	16	FB4	O	Error amplifier output terminal
	17	15	-INE4	I	Error amplifier inverted input terminal
	16	14	CS4	—	Soft-start capacitor connection terminal
	22	20	OUT4	O	Output terminal
OSC	9	6	CT	—	Triangular wave frequency setting capacitor connection terminal
	8	5	RT	—	Triangular wave frequency setting resistor connection terminal
Control	6	3	CTL	I	Power supply and control terminal
	11	8	CSCP	—	Short-circuit detection circuit capacitor connection terminal
	20	18	-INS	I	Short-circuit detection comparator inverted input terminal
Power	26	24	VCCO	—	Output block power supply terminal
	5	2	VCC	—	Power supply terminal
	7	4	VREF	O	Reference voltage output terminal
	21	19	GNDO	—	Output block ground terminal
	10	7	GND	—	Ground terminal

## ■ BLOCK DIAGRAM



# MB39A102

## ■ ABSOLUTE MAXIMUM RATINGS

Parameter	Symbol	Condition	Rating		Unit
			Min	Max	
Power supply voltage	V <sub>CC</sub>	VCC, VCCO terminal	—	12	V
Output current	I <sub>o</sub>	OUT1 to OUT4 terminal	—	20	mA
Output peak current	I <sub>oP</sub>	OUT1 to OUT4 terminal Duty ≤ 5% (t = 1/f <sub>osc</sub> × Duty)	—	400	mA
Power dissipation	P <sub>D</sub>	T <sub>a</sub> ≤ +25 °C (TSSOP-30P)	—	1390*	mW
		T <sub>a</sub> ≤ +25 °C (BCC-32P)	—	980*	mW
Storage temperature	T <sub>STG</sub>	—	-55	+125	°C

\* : The packages are mounted on the epoxy board (10 cm × 10 cm).

WARNING: Semiconductor devices can be permanently damaged by application of stress (voltage, current, temperature, etc.) in excess of absolute maximum ratings. Do not exceed these ratings.

## ■ RECOMMENDED OPERATING CONDITIONS

Parameter	Symbol	Condition	Value			Unit
			Min	Typ	Max	
Power supply voltage	V <sub>CC</sub>	VCC, VCCO terminal	2.5	4	11	V
Reference voltage output current	I <sub>REF</sub>	VREF terminal	-1	—	0	mA
Input voltage	V <sub>INE</sub>	-INE1 to -INE4 terminal	0	—	V <sub>CC</sub> - 0.9	V
		-INS terminal	0	—	V <sub>REF</sub>	V
	V <sub>DTC</sub>	DTC1 to DTC4 terminal	0	—	V <sub>REF</sub>	V
Control input voltage	V <sub>CTL</sub>	CTL terminal	0	—	11	V
Output current	I <sub>o</sub>	OUT1 to OUT4 terminal	-15	—	+15	mA
Oscillation frequency	f <sub>osc</sub>	*	100	500	1500	kHz
Timing capacitor	C <sub>T</sub>	—	39	100	560	pF
Timing resistor	R <sub>T</sub>	—	11	24	130	kΩ
Soft-start capacitor	C <sub>S</sub>	CS1 to CS4	—	0.1	1.0	μF
Short detection capacitor	C <sub>SCP</sub>	—	—	0.1	1.0	μF
Reference voltage output capacitor	C <sub>REF</sub>	—	—	0.1	1.0	μF
Operating ambient temperature	T <sub>a</sub>	—	-30	+25	+85	°C

\* : See “■ SETTING THE TRIANGULAR OSCILLATION FREQUENCY”.

Note : Pin numbers referred after this part are present on TSSOP-30P PKG.

WARNING: The recommended operating conditions are required in order to ensure the normal operation of the semiconductor device. All of the device's electrical characteristics are warranted when the device is operated within these ranges.

Always use semiconductor devices within their recommended operating condition ranges. Operation outside these ranges may adversely affect reliability and could result in device failure.

No warranty is made with respect to uses, operating conditions, or combinations not represented on the data sheet. Users considering application outside the listed conditions are advised to contact their FUJITSU representatives beforehand.

## ■ ELECTRICAL CHARACTERISTICS

(VCC = VCCO = 4 V, Ta = +25 °C)

Parameter		Symbol	Pin No	Conditions	Value			Unit
					Min	Typ	Max	
Reference voltage block [Ref]	Output voltage	V <sub>REF</sub>	7	—	1.98	2.00	2.02	V
	Output voltage temperature variation	$\Delta V_{REF}/V_{REF}$	7	Ta = -30 °C to +85 °C	—	0.5*	—	%
	Input stability	Line	7	VCC = 2.5 V to 11 V	-10	—	+10	mV
	Load stability	Load	7	VREF = 0 mA to -1 mA	-10	—	+10	mV
Under voltage lockout protection circuit block [UVLO]	Threshold voltage	V <sub>TH</sub>	25	VCC = $\underline{\text{U}}$	1.7	1.8	1.9	V
	Hysteresis width	V <sub>H</sub>	25	—	0.05	0.1	0.2	V
Short-circuit detection block [SCP]	Threshold voltage	V <sub>TH</sub>	11	—	0.65	0.70	0.75	V
	Input source current	I <sub>CSCP</sub>	11	—	-1.4	-1.0	-0.6	μA
	Reset voltage	V <sub>RST</sub>	25	VREF = $\underline{\text{L}}$	1.5	1.7	1.85	V
Triangular wave oscillator block [OSC]	Oscillation frequency	f <sub>OSC</sub>	22, 23, 24, 25	CT = 100 pF, RT = 24 kΩ	450	500	550	kHz
	Frequency temperature variation	$\Delta f_{OSC}/f_{OSC}$	22, 23, 24, 25	Ta = -30 °C to +85 °C	—	1*	—	%
Soft-start block [CS]	Charge current	I <sub>CS</sub>	1, 15, 16, 30	CS1 to CS4 = 0 V	-16	-12	-8	μA
Error amplifier block [Error Amp1 to Error Amp4]	Threshold voltage	V <sub>TH</sub>	3, 13, 18, 28	FB1 to FB4 = 0.65 V	1.222	1.240	1.258	V
	Input bias current	I <sub>B</sub>	2, 14, 17, 29	-INE1 to -INE4 = 0 V	-120	-30	—	nA
	Voltage gain	A <sub>V</sub>	3, 13, 18, 28	DC	—	100*	—	dB
	Frequency bandwidth	BW	3, 13, 18, 28	A <sub>V</sub> = 0 dB	—	1.6*	—	MHz
	Output voltage	V <sub>OH</sub>	3, 13, 18, 28	—	1.7	1.9	—	V
		V <sub>OL</sub>	3, 13, 18, 28	—	—	40	200	mV
	Output source current	I <sub>SOURCE</sub>	3, 13, 18, 28	FB1 to FB4 = 0.65 V	—	-2	-1	mA
Output sink current	I <sub>SINK</sub>	3, 13, 18, 28	FB1 to FB4 = 0.65 V	150	200	—	μA	

(Continued)

# MB39A102

(Continued)

(VCC = VCCO = 4 V, Ta = +25 °C)

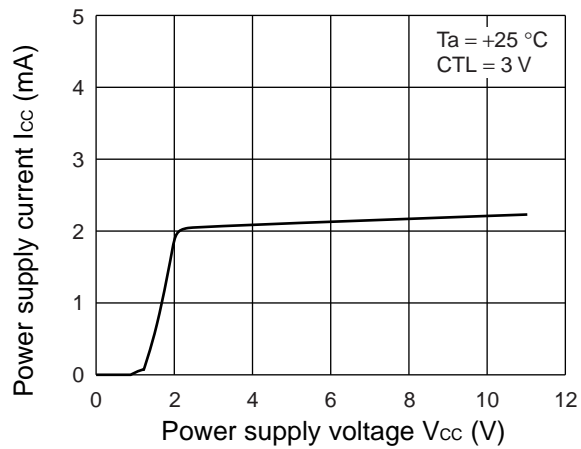
Parameter	Symbol	Pin No.	Conditions	Value			Unit	
				Min	Typ	Max		
PWM comparator block [PWM Comp.1 to PWM Comp.4]	Threshold voltage	V <sub>T0</sub>	22, 23, 24, 25	Duty cycle = 0 %	0.3	0.4	—	V
		V <sub>T100</sub>	22, 23, 24, 25	Duty cycle = 100 %	—	0.9	1.0	V
	Input current	I <sub>DTC</sub>	4, 12, 19, 27	DTC = 0.4 V	-2.0	-0.6	—	μA
Output block [Drive1 to Drive4]	Output source current	I <sub>SOURCE</sub>	22, 23, 24, 25	Duty ≤ 5 % (t = 1/f <sub>osc</sub> × Duty) OUT1 to OUT4 = 0 V	—	-130	-75	mA
	Output sink current	I <sub>SINK</sub>	22, 23, 24, 25	Duty ≤ 5 % (t = 1/f <sub>osc</sub> × Duty) OUT1 to OUT4 = 4 V	75	120	—	mA
	Output ON resistance	R <sub>OH</sub>	22, 23, 24, 25	OUT1 to OUT4 = -15 mA	—	18	27	Ω
		R <sub>OL</sub>	22, 23, 24, 25	OUT1 to OUT4 = 15 mA	—	18	27	Ω
Short detection comparator block [SCP Comp.]	Threshold voltage	V <sub>TH</sub>	25	—	0.97	1.00	1.03	V
	Input bias current	I <sub>B</sub>	20	-INS = 0 V	-29	-24	-21	μA
Control block [CTL]	CTL input voltage	V <sub>IH</sub>	6	IC Active mode	2	—	11	V
		V <sub>IL</sub>	6	IC Standby mode	0	—	0.8	V
	Input current	I <sub>CTLH</sub>	6	CTL = 3 V	—	30	60	μA
		I <sub>CTLL</sub>	6	CTL = 0 V	—	—	1	μA
General	Standby current	I <sub>CCS</sub>	5	CTL = 0 V	—	0	2	μA
		I <sub>CCSO</sub>	26	CTL = 0 V	—	0	2	μA
	Power supply current	I <sub>CC</sub>	5	CTL = 3 V	—	2.1	4.5	mA

\*: Standard design value.

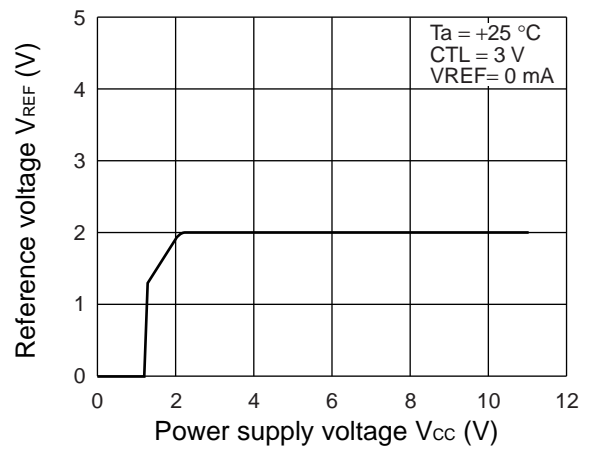


## TYPICAL CHARACTERISTICS

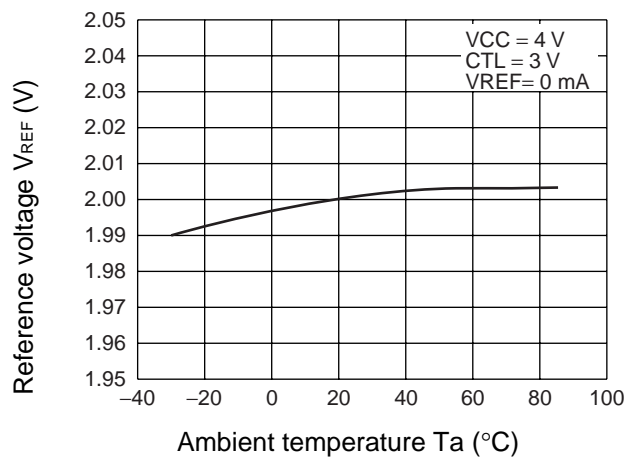
Power Supply Current vs. Power Supply Voltage



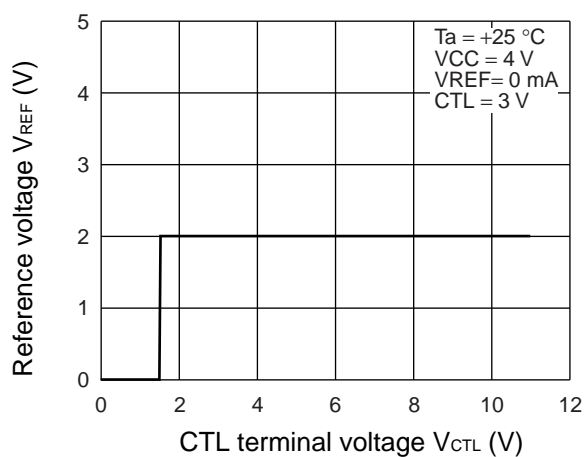
Reference Voltage vs. Power Supply Voltage



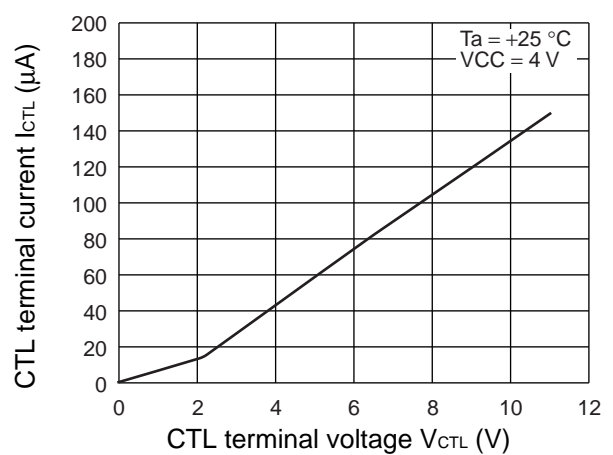
Reference Voltage vs. Ambient Temperature



Reference Voltage vs. CTL terminal Voltage

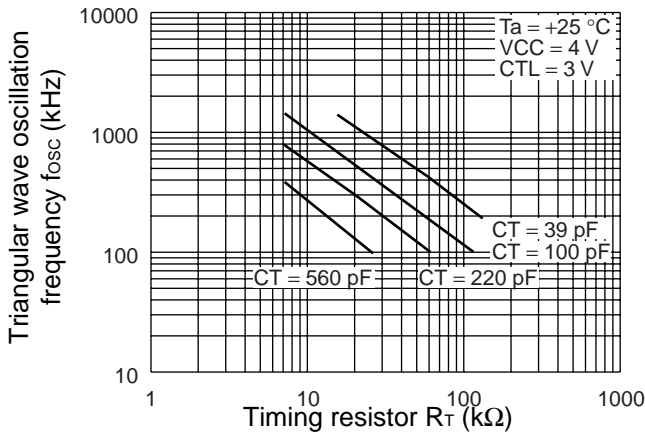


CTL terminal Current vs. CTL terminal Voltage

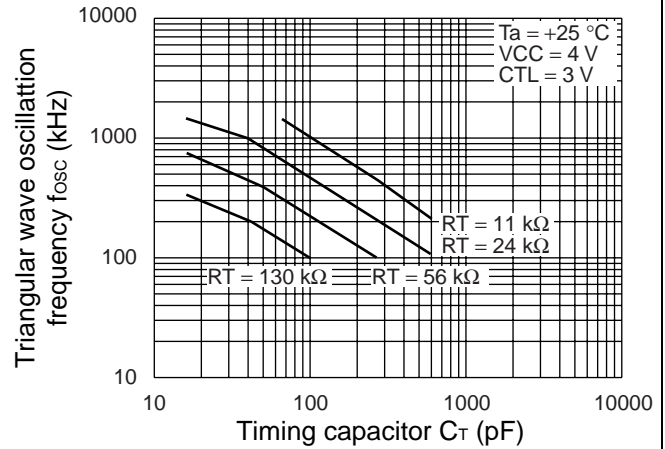


(Continued)

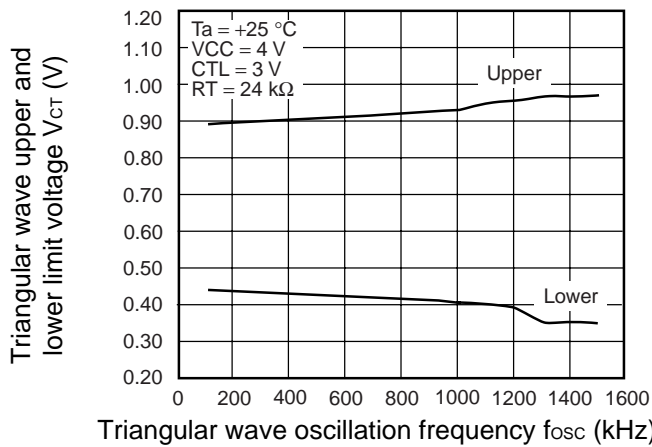
Triangular Wave Oscillation Frequency vs. Timing Resistor



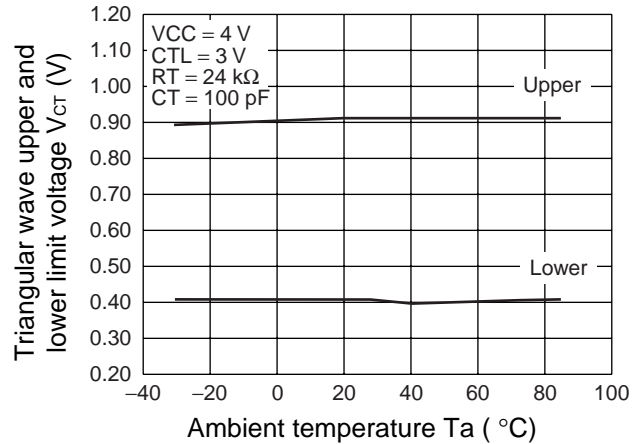
Triangular Wave Oscillation Frequency vs. Timing Capacitor



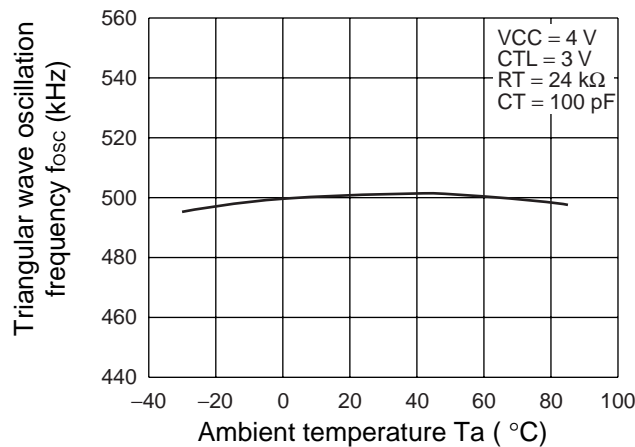
Triangular Wave Upper and Lower Limit Voltage vs. Triangular Wave Oscillation Frequency



Triangular Wave Upper and Lower Limit Voltage vs. Ambient Temperature



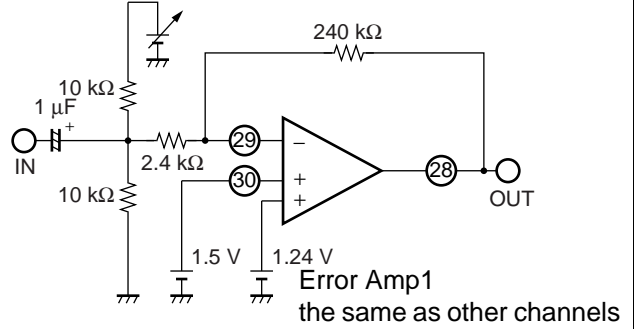
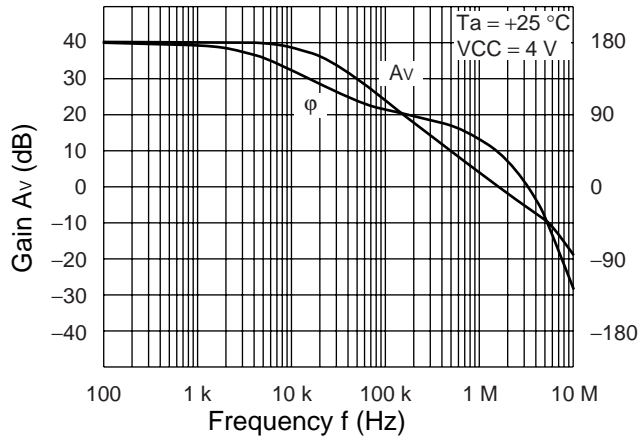
Triangular Wave Oscillation Frequency vs. Ambient Temperature



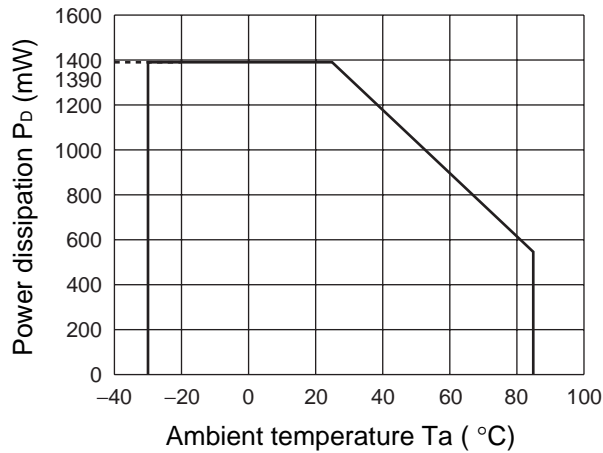
(Continued)

(Continued)

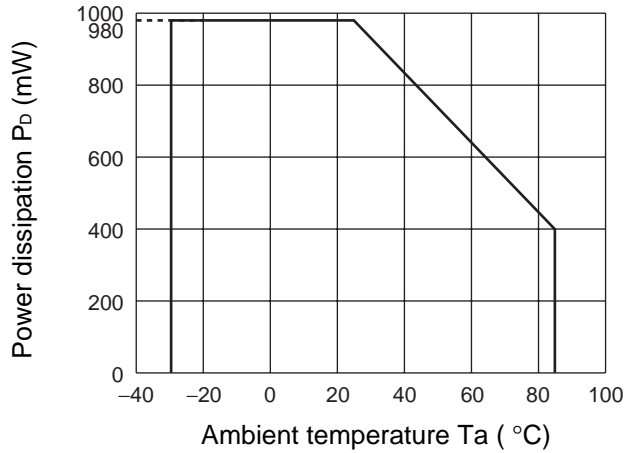
Error Amplifier, Gain, Phase vs. Frequency



Power Dissipation vs. Ambient Temperature (TSSOP-30P)



Power Dissipation vs. Ambient Temperature (BCC-32P)



## ■ FUNCTIONS

### 1. DC/DC Converter Functions

#### (1) Reference voltage block (Ref)

The reference voltage circuit generates a temperature-compensated reference voltage (2.0 V Typ) from the voltage supplied from the power supply terminal (pin 5). The voltage is used as the reference voltage for the IC's internal circuitry.

The reference voltage can supply a load current of up to 1 mA to an external device through the VREF terminal (pin 7).

#### (2) Triangular-wave oscillator block (OSC)

The triangular wave oscillator incorporates a timing capacitor and a timing resistor connected respectively to the CT terminal (pin 9) and RT terminal (pin 8) to generate triangular oscillation waveform amplitude of 0.4 V to 0.9 V.

The triangular waveforms are input to the PWM comparator in the IC.

#### (3) Error amplifier block (Error Amp1 to Error Amp4)

The error amplifier detects the DC/DC converter output voltage and outputs PWM control signals. In addition, an arbitrary loop gain can be set by connecting a feedback resistor and capacitor from the output terminal to inverted input terminal of the error amplifier, enabling stable phase compensation to the system.

Also, it is possible to prevent rush current at power supply start-up by connecting a soft-start capacitor with the CS1 terminal (pin 30) to CS4 terminal (pin 16) while are the non-inverted input terminal for Error Amp. The use of Error Amp for soft-start detection makes it possible for a system to operate on a fixed soft-start time that is independent of the output load on the DC/DC converter.

#### (4) PWM comparator block (PWM Comp.1 to PWM Comp.4)

The PWM comparator is a voltage-to-pulse width modulator that controls the output duty depending on the input/output voltage.

The output transistor turns on while the error amplifier output voltage and DTC voltage remain higher than the triangular wave voltage.

#### (5) Output block (Drive1 to Drive4)

The output block is in the totem pole configuration, capable of driving an external P-channel MOS FET (channels 1 to 3), and N-channel MOS FET (channel 4).

## 2. Channel Control Function

The main or each channel is turned on and off depending on the voltage levels at the CTL terminal (pin 6), CS1 terminal (pin 30), CS2 terminal (pin 1), CS3 terminal (pin 15), and CS4 terminal (pin 16).

Channel On/Off Setting Conditions

CTL	CS1	CS2	CS3	CS4	Power	CH1	CH2	CH3	CH4
L	—*	—*	—*	—*	OFF	OFF	OFF	OFF	OFF
H	GND	GND	GND	GND	ON	OFF	OFF	OFF	OFF
H	High-Z	GND	GND	GND	ON	ON	OFF	OFF	OFF
H	GND	High-Z	GND	GND	ON	OFF	ON	OFF	OFF
H	GND	GND	High-Z	GND	ON	OFF	OFF	ON	OFF
H	GND	GND	GND	High-Z	ON	OFF	OFF	OFF	ON
H	High-Z	High-Z	High-Z	High-Z	ON	ON	ON	ON	ON

\*: Undefined

## 3. Protective Functions

### (1) Timer-latch short-circuit protection circuit (SCP, SCP Comp.)

The short-circuit detection comparator in each channel detects the output voltage level of Error Amp, and if any channel output voltage of Error Amp reaches the short-circuit detection voltage, the timer circuits are actuated to start charging the external capacitor  $C_{SCP}$  connected to the CSCP terminal (pin 11).

When the capacitor ( $C_{SCP}$ ) voltage reaches about 0.7 V, the circuit is turned off the output transistor and sets the dead time to 100 %.

In addition, the short-circuit detection from external input is capable by using  $-INS$  terminal (pin 20) on short-circuit detection comparator (SCP Comp.) .

To release the actuated protection circuit, either the power supply turn off and on again or set the CTL terminal (pin 6) to the "L" level to lower the VREF terminal (pin 7) voltage to 1.5 V (Min) or less. (See "■SETTING TIME CONSTANT FOR TIMER-LATCH SHORT-CIRCUIT PROTECTION CIRCUIT".)

### (2) Under voltage lockout protection circuit (UVLO)

The transient state or a momentary decrease in supply voltage, which occurs when the power supply is turned on, may cause the IC to malfunction, resulting in breakdown or degradation of the system. To prevent such malfunctions, under voltage lockout protection circuit detects a decrease in internal reference voltage with respect to the power supply voltage, turns off the output transistor, and sets the dead time to 100% while holding the CSCP terminal (pin 11) at the "L" level.

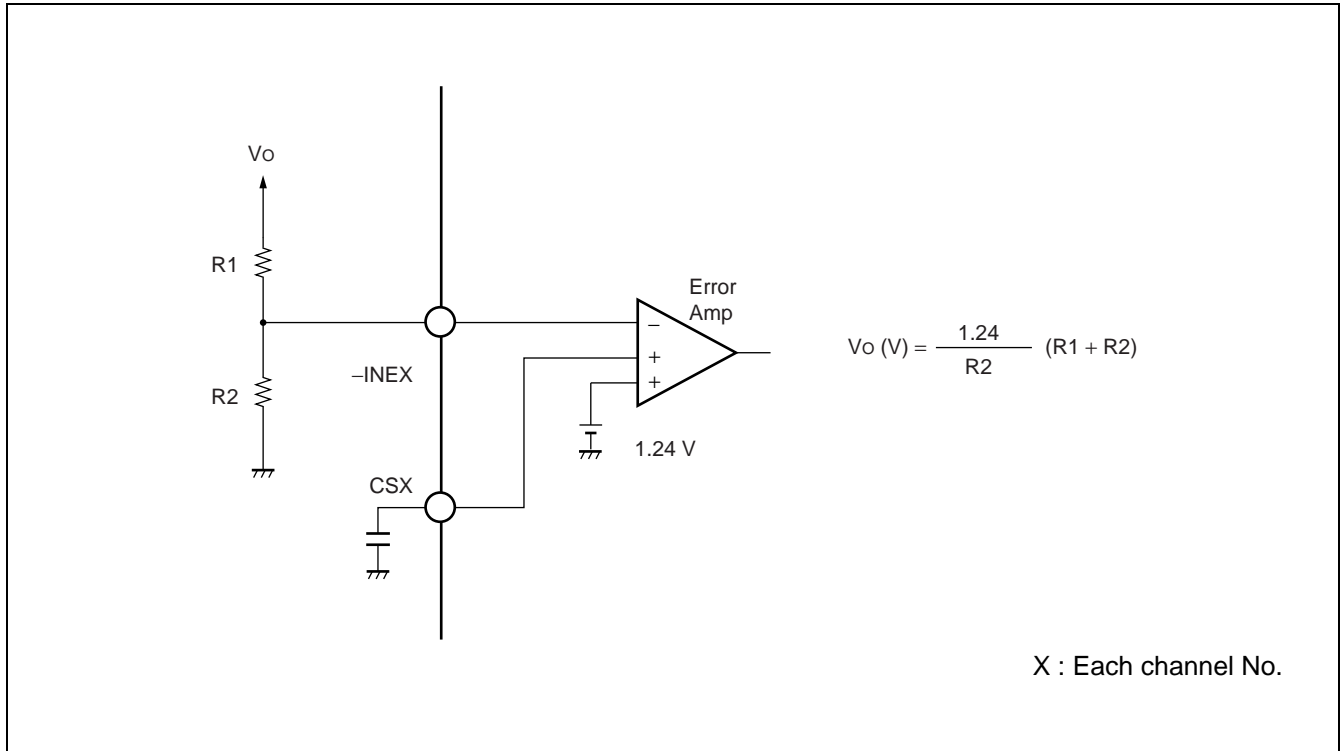
The circuit restores the output transistor to normal when the supply voltage reaches the threshold voltage of the undervoltage lockout protection circuit.

## ■ PROTECTION CIRCUIT OPERATING FUNCTION TABLE

This table refers to output condition when protection circuit is operating.

Operating circuit	OUT1	OUT2	OUT3	OUT4
Short-circuit protection circuit	H	H	H	L
Under voltage lockout protection circuit	H	H	H	L

## ■ SETTING THE OUTPUT VOLTAGE



(CH1 to CH4)

## ■ SETTING THE TRIANGULAR OSCILLATION FREQUENCY

The triangular oscillation frequency is determined by the timing capacitor ( $C_T$ ) connected to the CT terminal (pin 9), and the timing resistor ( $R_T$ ) connected to the RT terminal (pin 8).

Moreover, it shifts more greatly than the calculated values according to the constant of timing resistor ( $R_T$ ) when the triangular wave oscillation frequency exceeds 1 MHz. Therefore, set it referring to "Triangular Wave Oscillation Frequency vs. Timing Resistor" and "Triangular Wave Oscillation Frequency vs. Timing Capacitor" in "■ Typical characteristics".

Triangular oscillation frequency :  $f_{osc}$

$$f_{osc} \text{ (kHz)} \doteq \frac{1200000}{C_T \text{ (pF)} \bullet R_T \text{ (k}\Omega\text{)}}$$

## ■ SETTING THE SOFT-START TIME

To prevent rush currents when the IC is turned on, you can set a soft-start by connecting soft-start capacitors ( $C_{S1}$  to  $C_{S4}$ ) to the CS1 terminal (pin 30) to the CS4 terminal (pin 16), respectively.

Setting each  $\overline{CTLX}$  from "H" to "L" switches to charge the external soft-start capacitors ( $C_{S1}$  to  $C_{S4}$ ) connected to the CS1 to CS4 terminals at  $12\ \mu\text{A}$ .

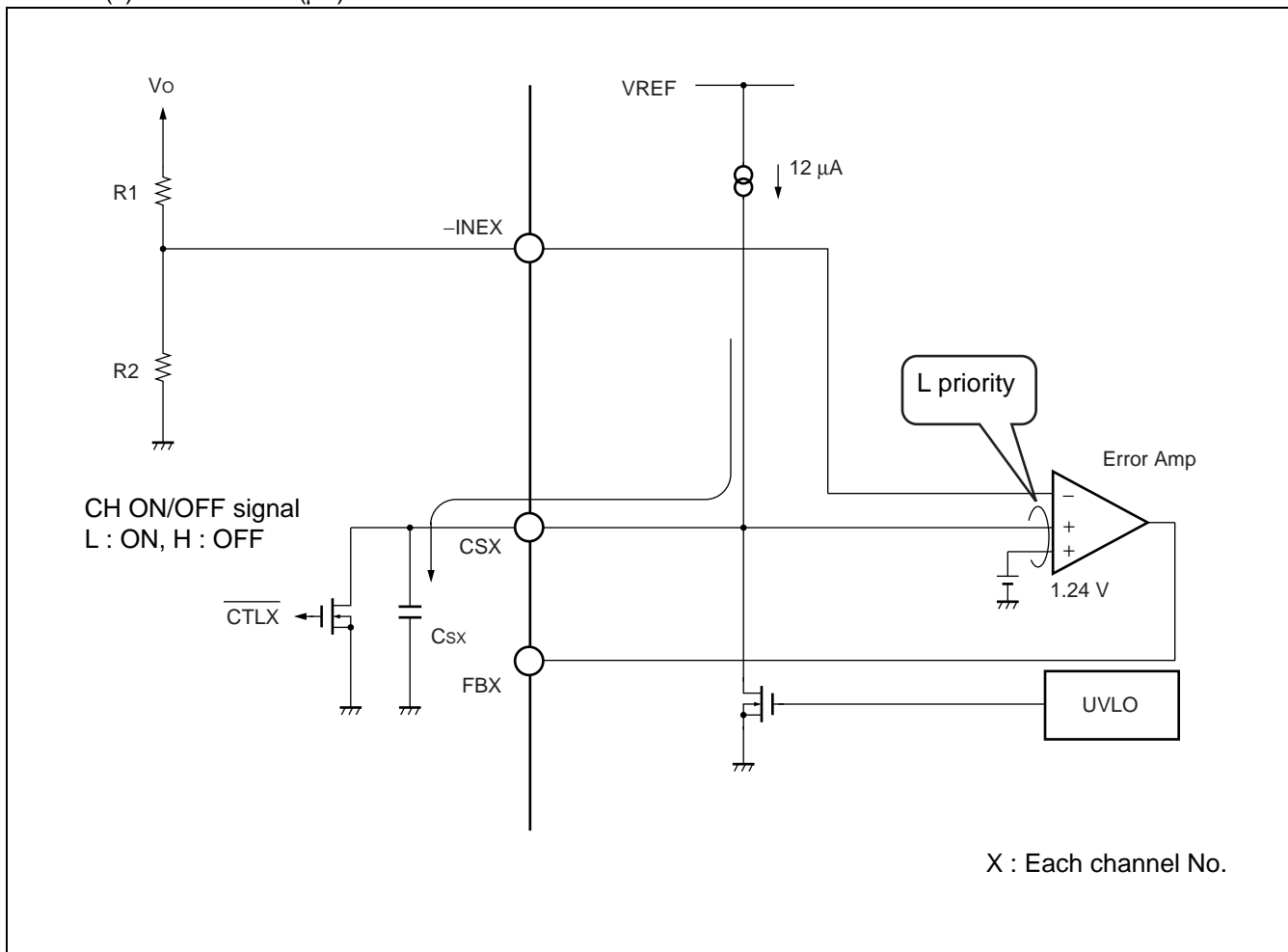
The error amplifier output (FB1 to FB4) is determined by comparison between the lower one of the potentials at two non-inverted input terminals ( $1.24\ \text{V}$ , CS terminal voltages) and the inverted input terminal voltage ( $-\text{INE1}$  to  $-\text{INE4}$ ).

The FB terminal voltage during the soft-start period (CS terminal voltage  $< 1.24\ \text{V}$ ) is therefore determined by comparison between the  $-\text{INE}$  terminal and CS terminal voltages. The DC/DC converter output voltage rises in proportion to the CS terminal voltage as the soft-start capacitor connected to the CS terminal is charged.

The soft-start time is obtained from the following formula:

Soft-start time:  $t_s$  (time to output 100%)

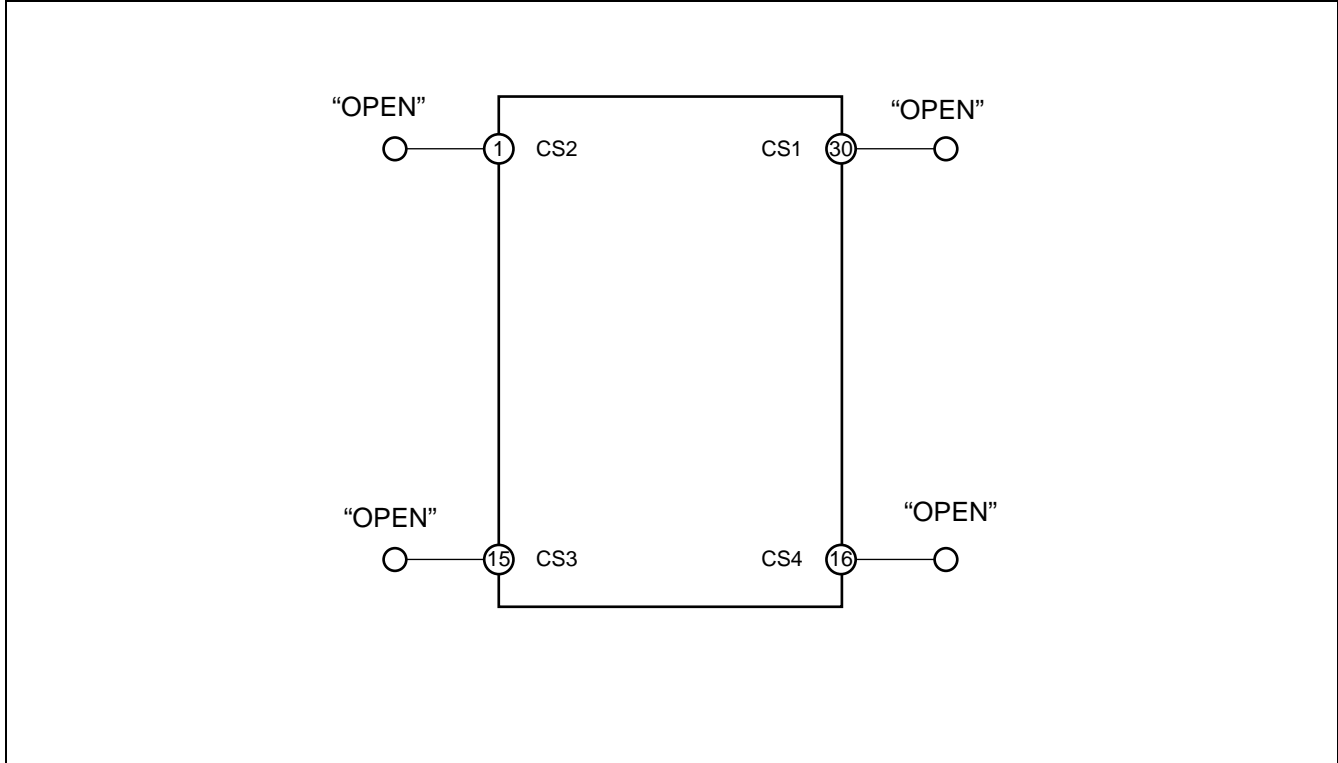
$$t_s (\text{s}) \approx 0.103 \times C_{Sx} (\mu\text{F})$$



(Soft-Start Circuit)

## ■ TREATMENT WITHOUT USING CS TERMINAL

When not using the soft-start function, open the CS1 terminal (pin 30) , the CS2 terminal (pin 1) , the CS3 terminal (pin 15) , the CS4 terminal (pin 16) .



**<Without Setting Soft-Start Time>**



## SETTING TIME CONSTANT FOR TIMER-LATCH SHORT-CIRCUIT PROTECTION CIRCUIT

Each channel uses the short-circuit detection comparator (SCP) to always compare the error amplifier's output level to the reference voltage.

While DC/DC converter load conditions are stable on all channels, the short-circuit detection comparator output remains at "L" level, and the CSCP terminal (pin 11) is held at "L" level.

If the load condition on a channel changes rapidly due to a short-circuit of the load, causing the output voltage to drop, the output of the short-circuit detection comparator on that channel goes to "H" level. This causes the external short-circuit protection capacitor  $C_{SCP}$  connected to the CSCP terminal to be charged at  $1 \mu\text{A}$ .

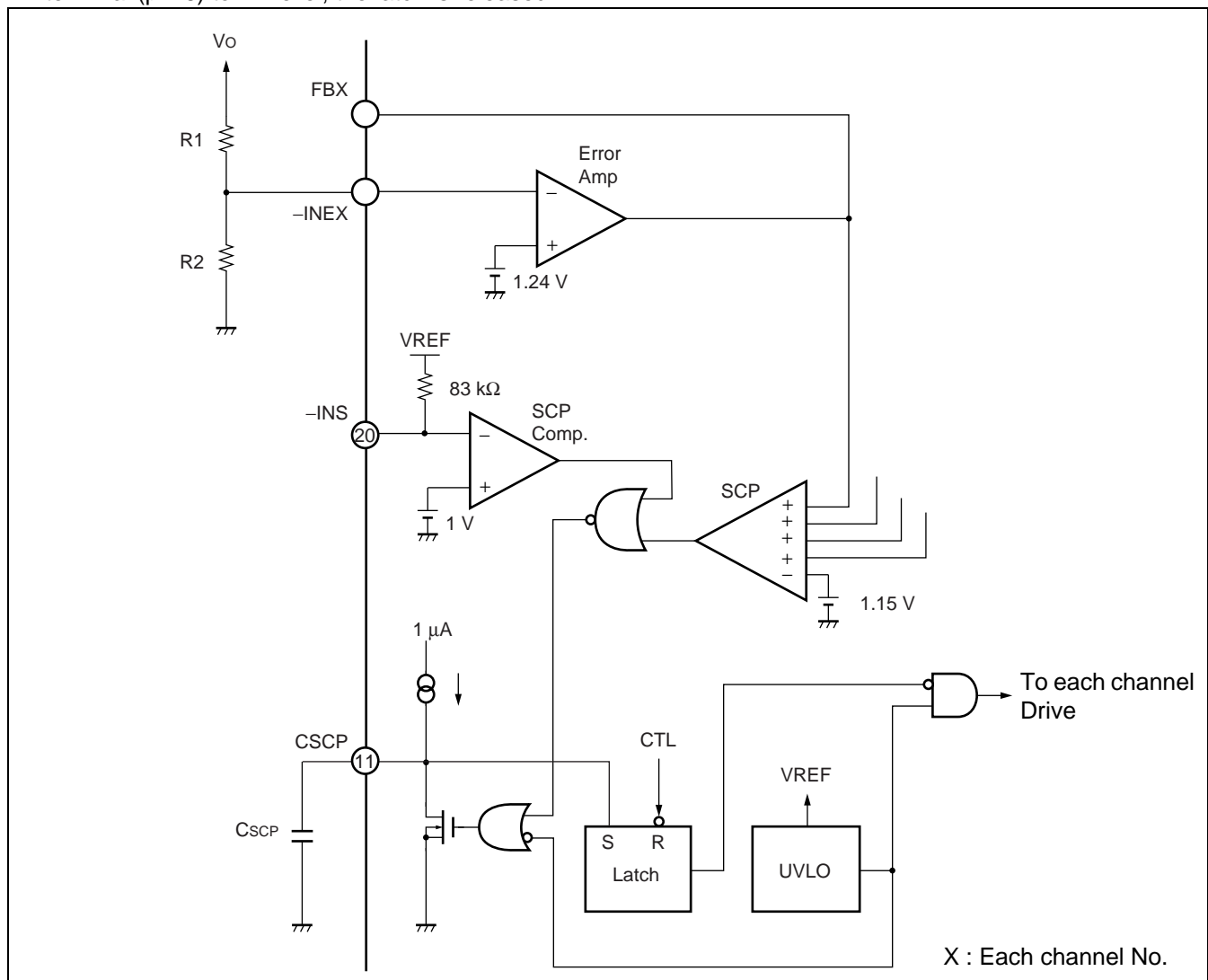
Short-circuit detection time ( $t_{CSCP}$ )

$$t_{CSCP} \text{ (s)} \approx 0.70 \times C_{SCP} \text{ (\mu F)}$$

When the capacitor  $C_{SCP}$  is charged to the threshold voltage ( $V_{TH} \approx 0.70 \text{ V}$ ), the latch is set and the external FET is turned off (dead time is set to 100%). At this point, the latch input is closed and the CSCP terminal (pin 11) is held at "L" level.

In addition, the short-circuit detection from external input is capable by using  $-\text{INS}$  terminal (pin 20) on the short-circuit detection comparator (SCP Comp.). The short-circuit detection operation starts when  $-\text{INS}$  terminal voltage is less than threshold voltage ( $V_{TH} \approx 1 \text{ V}$ ).

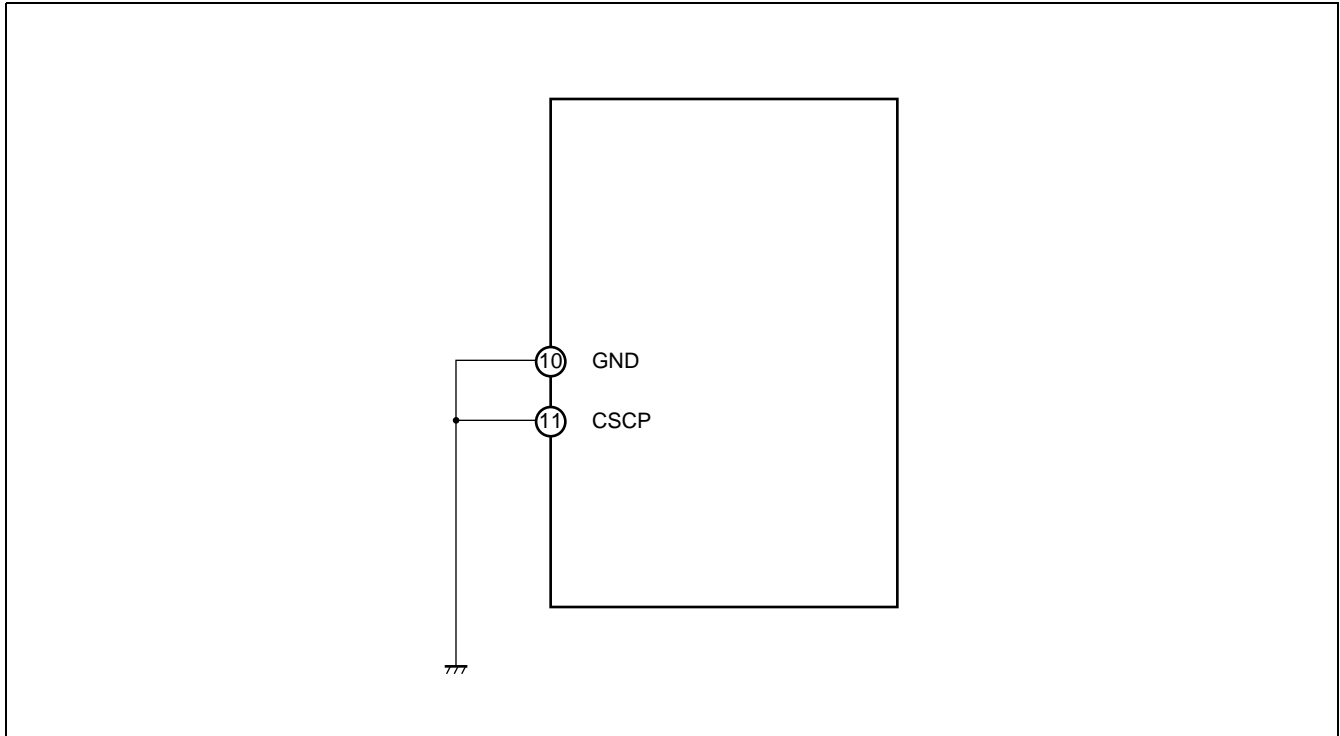
When the power supply is turn on back or  $V_{REF}$  terminal (pin 7) voltage is less than  $1.5 \text{ V}$  (Min) by setting CTL terminal (pin 6) to "L" level, the latch is released.



<Timer-latch short-circuit protection circuit>

## ■ TREATMENT WITHOUT USING CSCP TERMINAL

When not using the timer-latch short-circuit protection circuit, connect the CSCP terminal (pin 11) to GND with the shortest distance.



〈Treatment without using CSCP〉

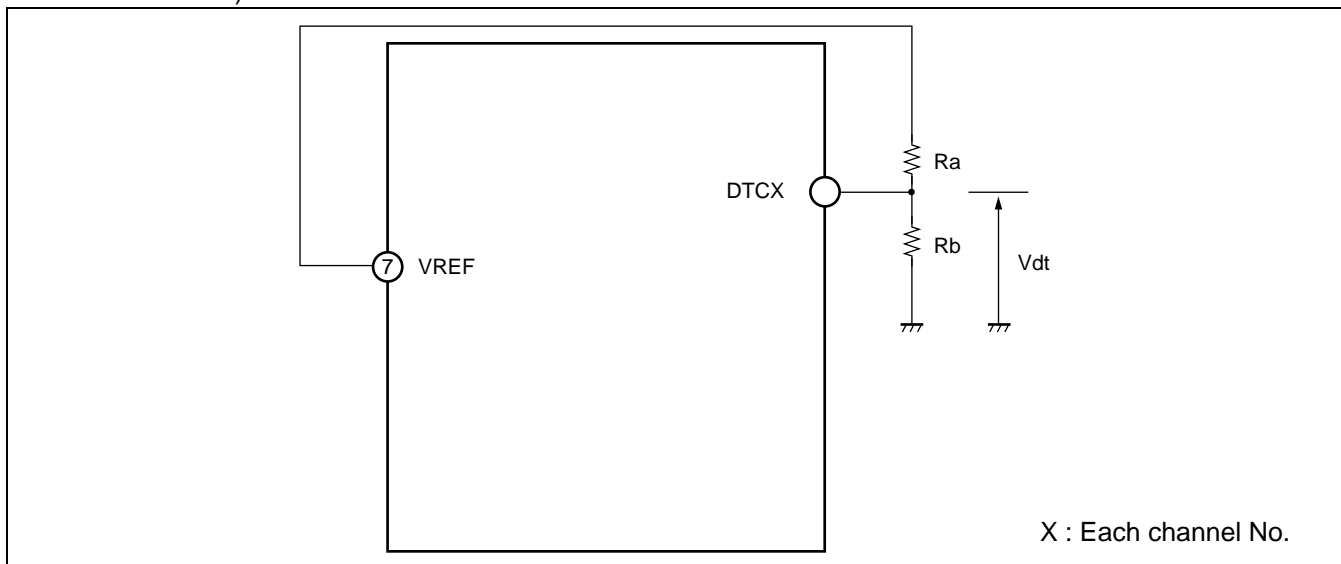
## ■ SETTING THE DEAD TIME

When the device is set for step-up inverted output based on the step-up or step-up/down Zeta conversion, step-up/down Sepic conversion or flyback conversion, the FB terminal voltage may reach and exceed the triangular wave voltage due to load fluctuation. If this is the case, the output transistor is fixed to a full-ON state (ON duty = 100%). To prevent this, set the maximum duty of the output transistor. To set it, set the voltage at the DTC terminal by applying a resistive voltage divider to the VREF voltage as shown below.

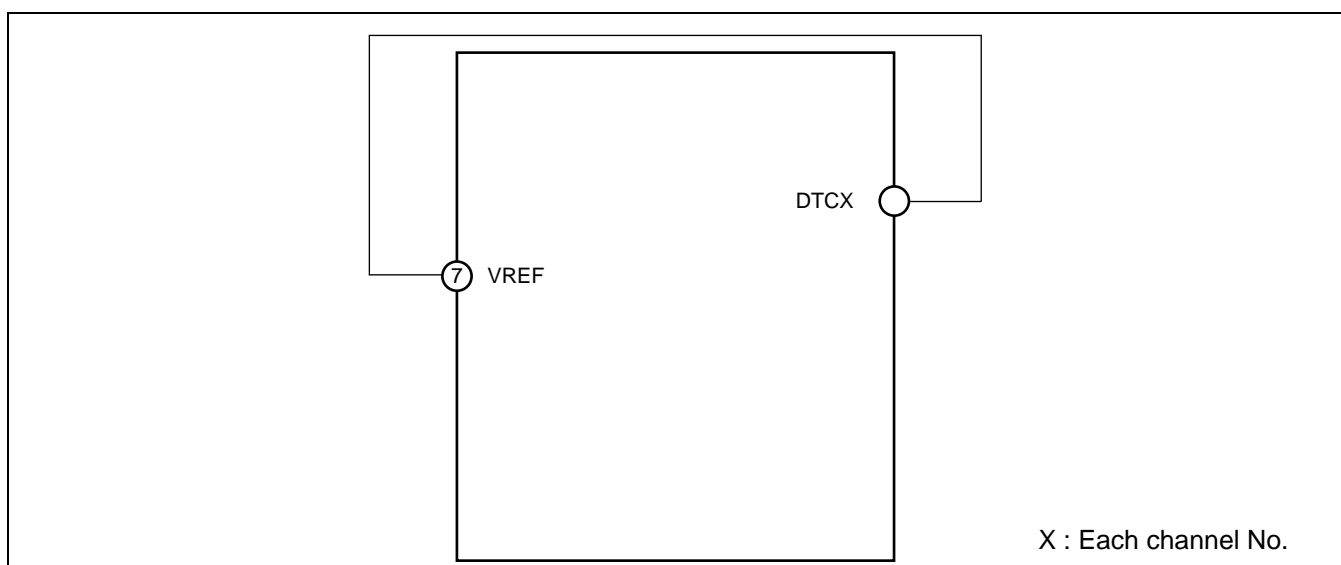
When the DTC terminal voltage is higher than the triangular wave voltage, the output transistor is turned on. The maximum duty calculation formula assuming that triangular wave amplitude = 0.5 V and triangular wave lower voltage = 0.4 V is given below.

$$\text{DUTY (ON) Max} = \frac{V_{dt} - 0.4 \text{ V}}{0.5 \text{ V}} \times 100 (\%), \quad V_{dt} = \frac{R_b}{R_a + R_b} \times V_{REF}$$

When the DTC terminal is not used, connect it directly to the VREF terminal (pin 7) as shown below (when no dead time is set).



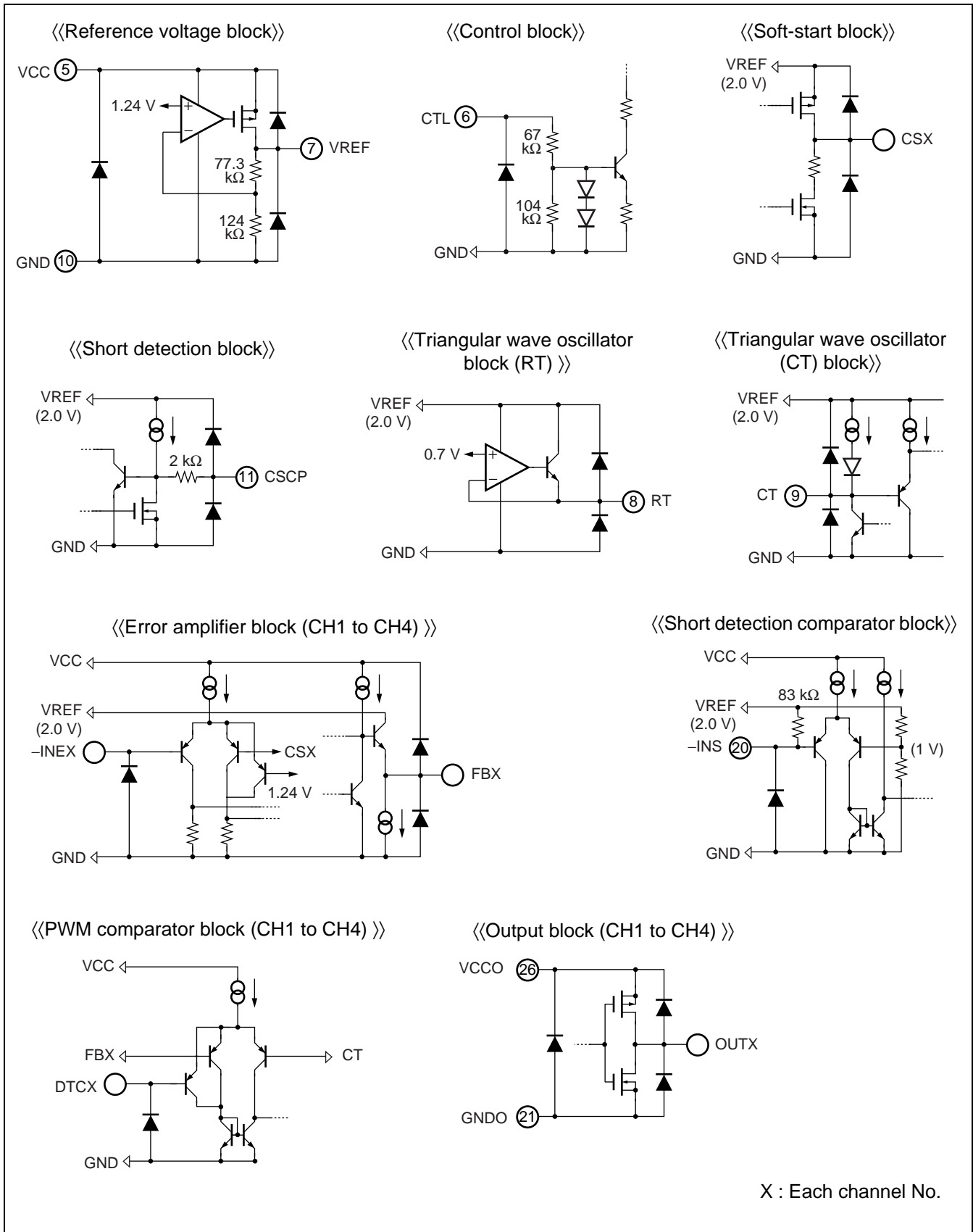
〈When using DTC to set dead time〉



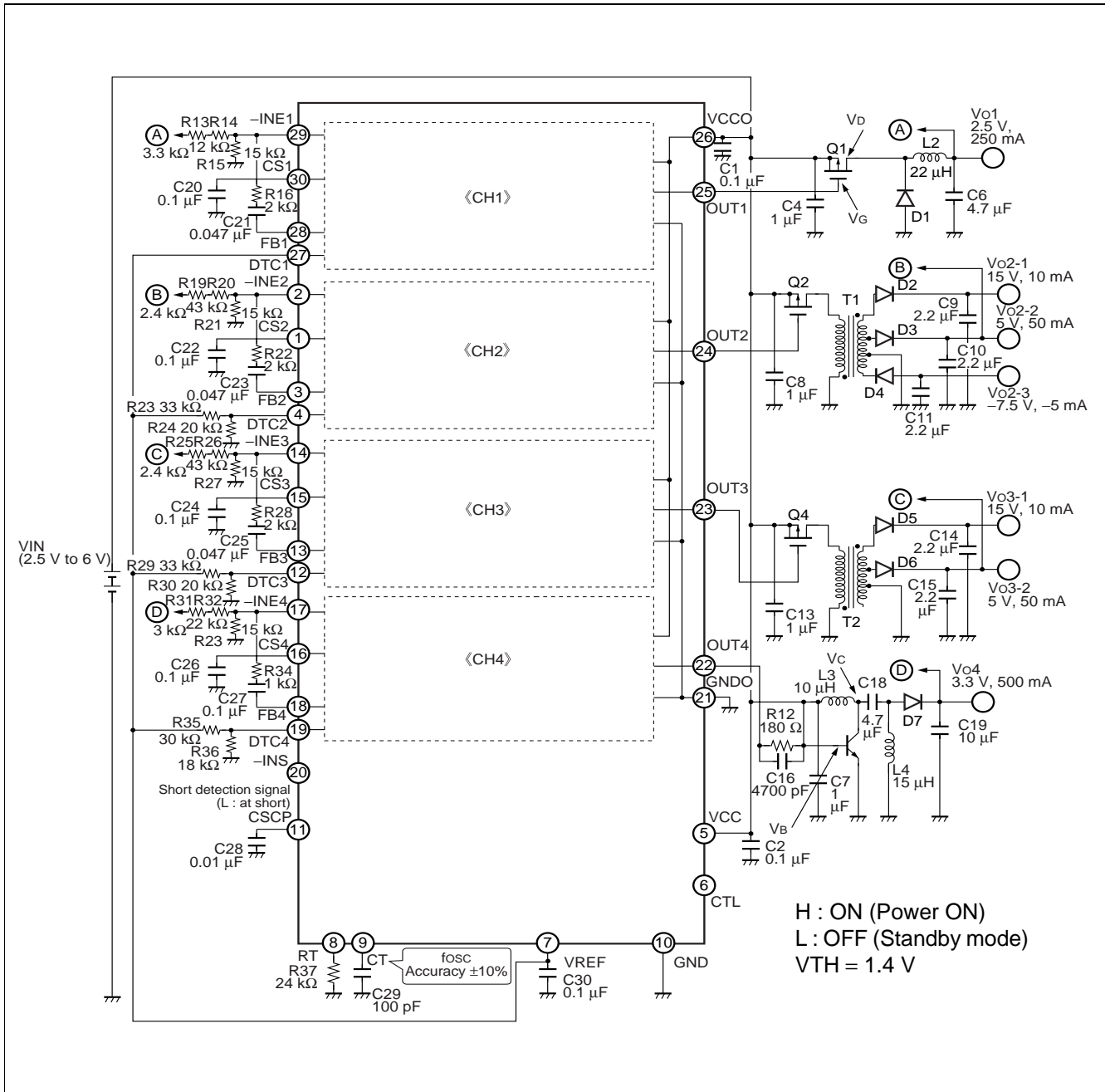
〈When no dead time is set〉

# MB39A102

## I/O EQUIVALENT CIRCUIT



## APPLICATION EXAMPLE



# MB39A102

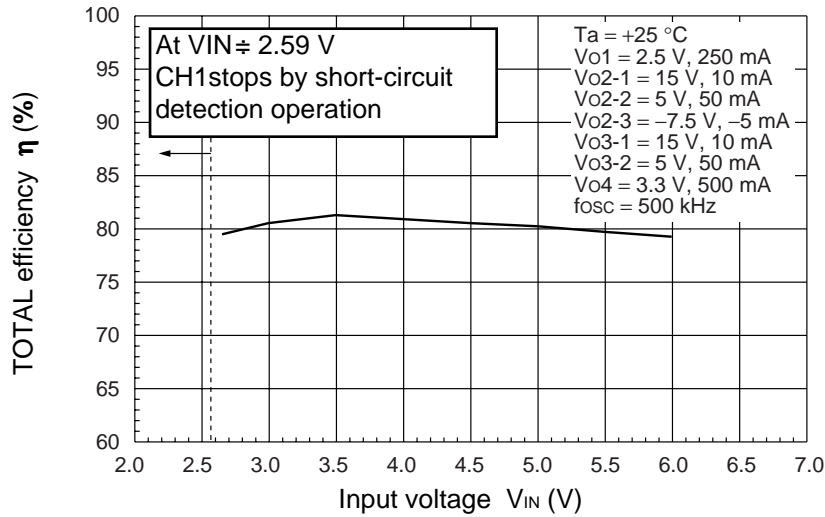
## ■ PARTS LIST

COMPONENT	ITEM	SPECIFICATION		VENDOR	PARTS NO.
Q1, Q2, Q4 Q5	Pch FET NPN Tr	VDS = -20 V, ID = -1.5 A VCEO = 15 V, IC = 3 A		SANYO SANYO	MCH3309 CPH3206
D1, D7 D2 to D6	Diode Diode	VF = 0.4 V (Max) , at IF = 1 A VF = 0.55 V (Max) , at IF = 0.5 A		SANYO SANYO	SBS004 SB05-05CP
L2 L3 L4	Inductor Inductor Inductor	22 $\mu$ H 10 $\mu$ H 15 $\mu$ H	0.63 A, 160 m $\Omega$ 0.94 A, 67 m $\Omega$ 0.76 A, 120 m $\Omega$	TDK TDK TDK	RLF5018T-220MR63 RLF5018T-100MR94 RLF5018T-150MR76
T1, T2	Transformer	—	—	SUMIDA	CLQ52 5388-T095
C1, C2 C4, C8, C13 C6 C9 to C11 C14, C15 C16 C17 C18 C19 C20, C22, C24 C21, C23, C25 C26, C27, C30 C28 C29	Ceramics Condenser Ceramics Condenser Ceramics Condenser Ceramics Condenser Ceramics Condenser Ceramics Condenser Ceramics Condenser Ceramics Condenser Ceramics Condenser Ceramics Condenser Ceramics Condenser Ceramics Condenser Ceramics Condenser Ceramics Condenser Ceramics Condenser Ceramics Condenser Ceramics Condenser Ceramics Condenser Ceramics Condenser Ceramics Condenser	0.1 $\mu$ F 1 $\mu$ F 4.7 $\mu$ F 2.2 $\mu$ F 2.2 $\mu$ F 4700 pF 1 $\mu$ F 4.7 $\mu$ F 10 $\mu$ F 0.1 $\mu$ F 0.047 $\mu$ F 0.1 $\mu$ F 0.01 $\mu$ F 100 pF	50 V 25 V 10 V 16 V 16 V 50 V 25 V 10 V 6.3 V 50 V 50 V 50 V 50 V 50 V	TDK TDK TDK TDK TDK TDK TDK TDK TDK TDK TDK TDK TDK TDK TDK TDK TDK TDK TDK TDK	C1608JB1H104K C3216JB1E105K C3216JB1A475M C3216JB1C225K C3216JB1C225K C1608JB1H472K C3216JB1E105K 3216JB1A475M C3216JB0J106M C1608JB1H104K C1608JB1H473K C1608JB1H104K C1608JB1H103K C1608CH1H101J
R12 R13 R14 R15, R21, R27 R16, R22, R28 R19, R25 R20, R26 R23, R29 R24, R30 R31 R32 R33 R34 R35 R36 R37	Resistor Resistor Resistor Resistor Resistor Resistor Resistor Resistor Resistor Resistor Resistor Resistor Resistor Resistor Resistor Resistor Resistor Resistor Resistor Resistor	180 $\Omega$ 3.3 k $\Omega$ 12 k $\Omega$ 15 k $\Omega$ 2 k $\Omega$ 2.4 k $\Omega$ 43 k $\Omega$ 33 k $\Omega$ 20 k $\Omega$ 3 k $\Omega$ 22 k $\Omega$ 15 k $\Omega$ 1 k $\Omega$ 30 k $\Omega$ 18 k $\Omega$ 24 k $\Omega$	0.5 % 0.5 % 0.5 % 0.5 % 0.5 % 0.5 % 0.5 % 0.5 % 0.5 % 0.5 % 0.5 % 0.5 % 0.5 % 0.5 % 0.5 % 0.5 % 0.5 % 0.5 % 0.5 % 0.5 %	ssm ssm ssm ssm ssm ssm ssm ssm ssm ssm ssm ssm ssm ssm ssm ssm ssm ssm ssm ssm	RR0816P-181-D RR0816P-332-D RR0816P-123-D RR0816P-153-D RR0816P-202-D RR0816P-242-D RR0816P-433-D RR0816P-333-D RR0816P-203-D RR0816P-302-D RR0816P-223-D RR0816P-153-D RR0816P-102-D RR0816P-303-D RR0816P-183-D RR0816P-243-D

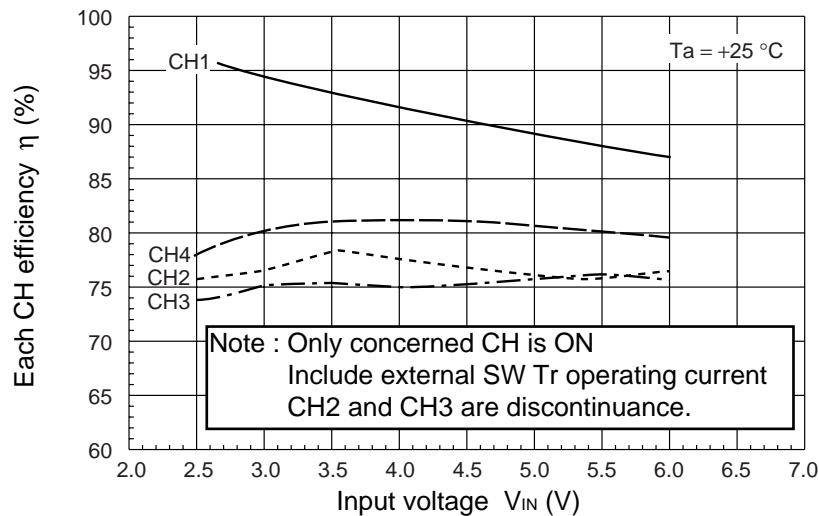
Note : SANYO : SANYO Electric Co., Ltd.  
 TDK : TDK Corporation  
 SUMIDA : SUMIDA Electric Co., Ltd.  
 ssm : SUSUMU Co., Ltd.

## REFERENCE DATA

TOTAL Efficiency vs. Input Voltage

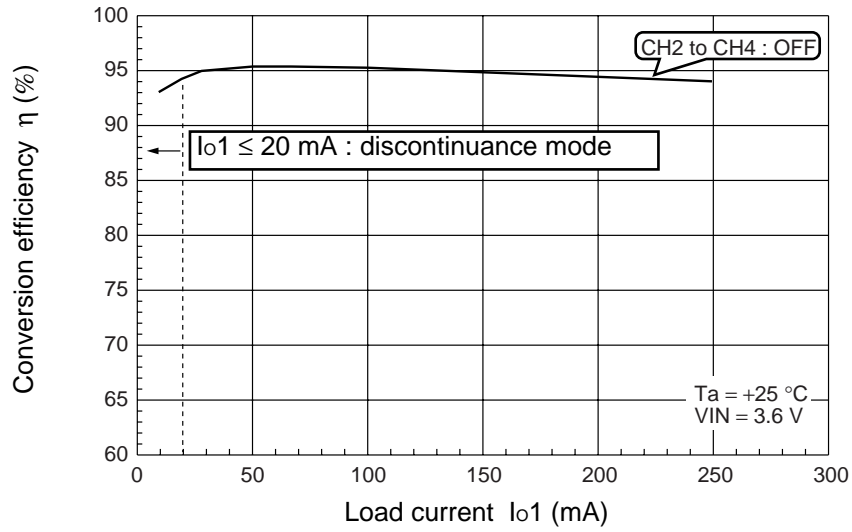


Each CH Efficiency vs. Input Voltage

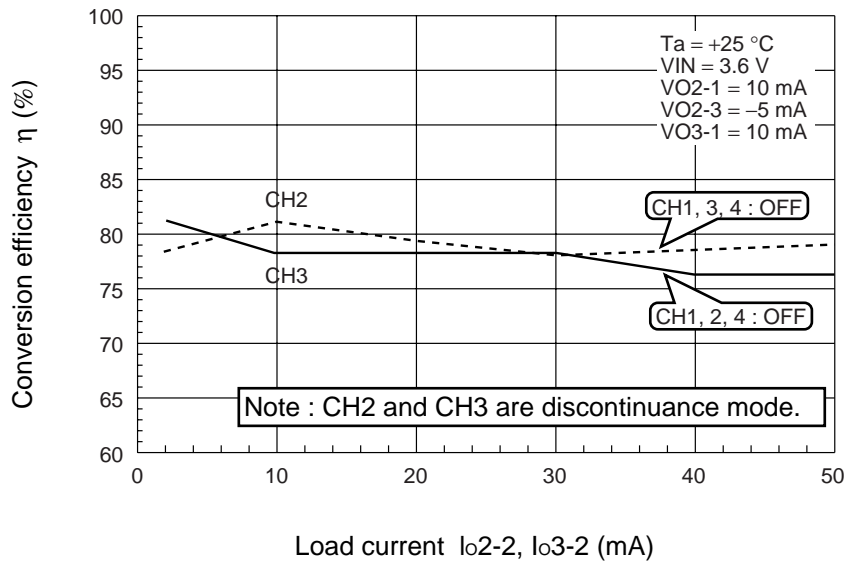


(Continued)

Conversion Efficiency vs. Load Current (CH1)



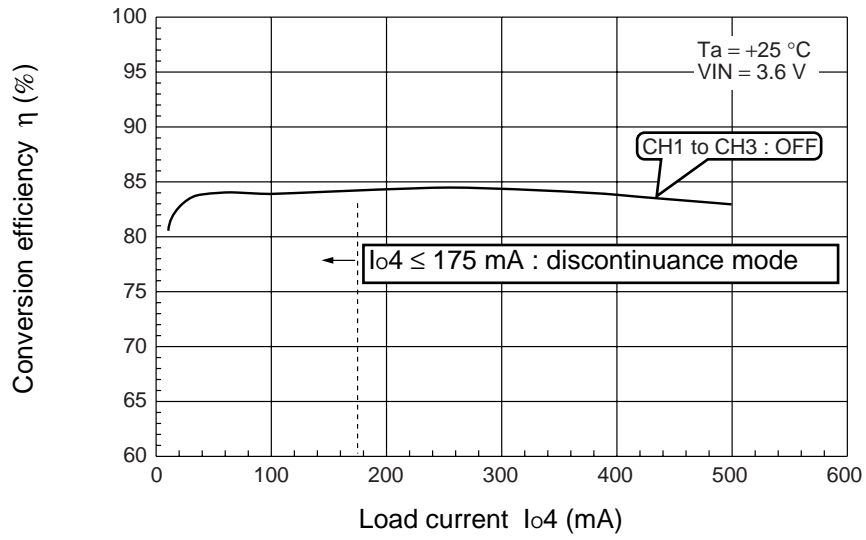
Conversion Efficiency vs. Load Current (CH2, CH3)



(Continued)



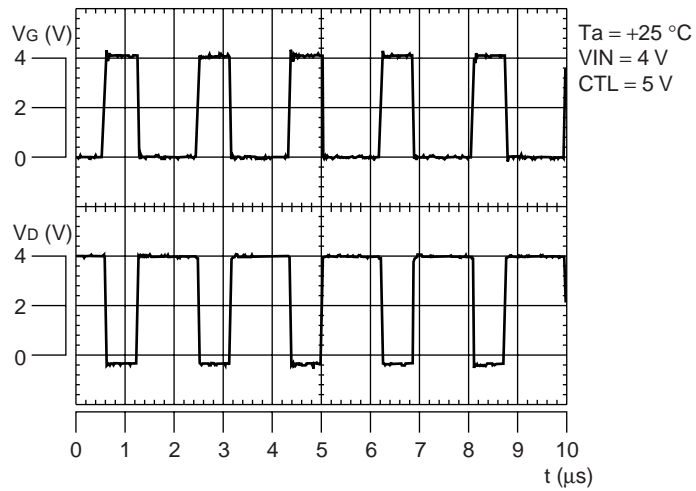
Conversion Efficiency vs. Load Current (CH4)



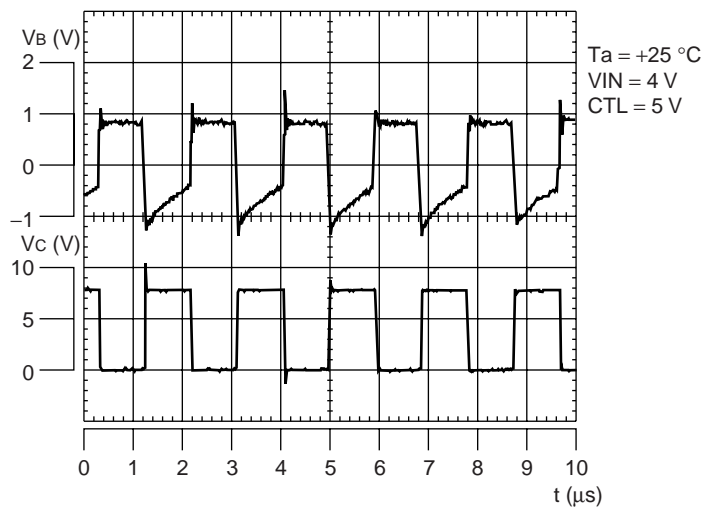
(Continued)

(Continued)

### Switching Wave Form (CH1)



### Switching Wave Form (CH4)



## ■ USAGE PRECAUTION

- Printed circuit board ground lines should be set up with consideration for common impedance.
- Take appropriate static electricity measures.
  - Containers for semiconductor materials should have anti-static protection or be made of conductive material.
  - After mounting, printed circuit boards should be stored and shipped in conductive bags or containers.
  - Work platforms, tools, and instruments should be properly grounded.
  - Working personnel should be grounded with resistance of 250 k $\Omega$  to 1 M $\Omega$  between body and ground.
- Do not apply negative voltages.

The use of negative voltages below  $-0.3$  V may create parasitic transistors on LSI lines, which can cause abnormal operation.

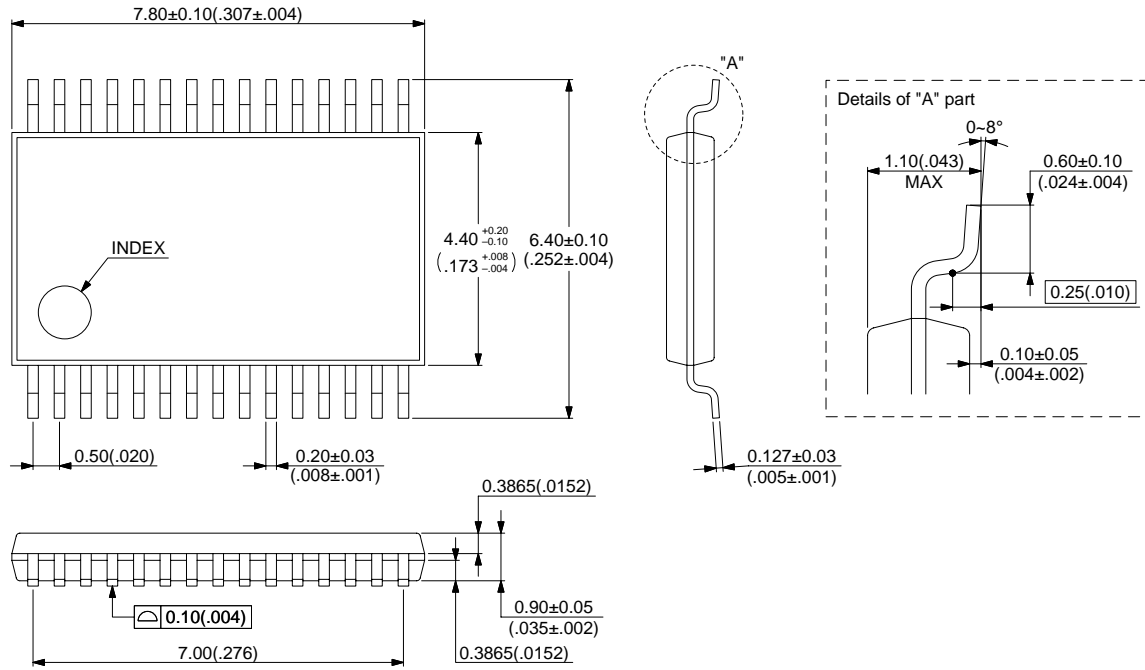
## ■ ORDERING INFORMATION

Part number	Package	Remarks
MB39A102PFT	30-pin plastic TSSOP (FPT-30P-M04)	
MB39A102PV	32-pad plastic BCC (LCC-32P-M08)	

# MB39A102

## ■ PACKAGE DIMENSIONS

30-pin plastic TSSOP  
(FPT-30P-M04)



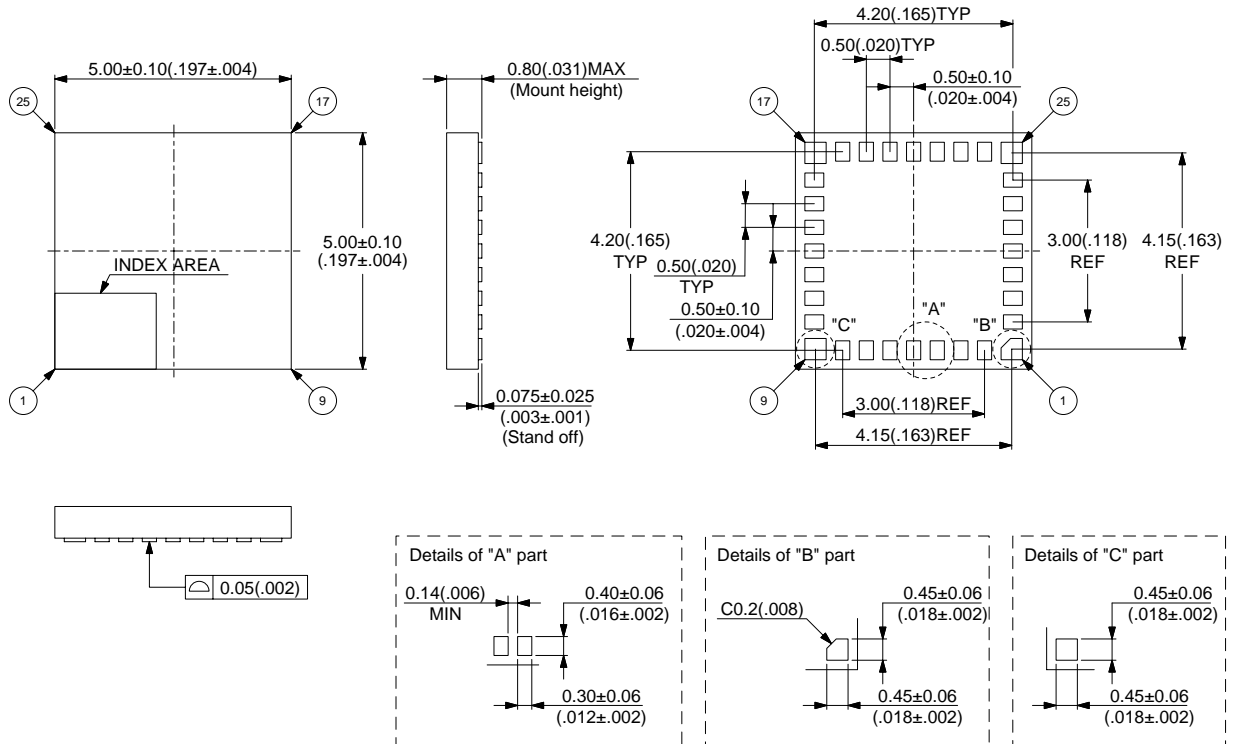
© 2001 FUJITSU LIMITED F30007SC-1-1

Dimensions in mm (inches)

(Continued)

(Continued)

## 32-pad plastic BCC (LCC-32P-M08)



© 2001 FUJITSU LIMITED C32060S-c-3-2

Dimensions in mm (inches)

## FUJITSU LIMITED

All Rights Reserved.

The contents of this document are subject to change without notice. Customers are advised to consult with FUJITSU sales representatives before ordering.

The information and circuit diagrams in this document are presented as examples of semiconductor device applications, and are not intended to be incorporated in devices for actual use. Also, FUJITSU is unable to assume responsibility for infringement of any patent rights or other rights of third parties arising from the use of this information or circuit diagrams.

The products described in this document are designed, developed and manufactured as contemplated for general use, including without limitation, ordinary industrial use, general office use, personal use, and household use, but are not designed, developed and manufactured as contemplated (1) for use accompanying fatal risks or dangers that, unless extremely high safety is secured, could have a serious effect to the public, and could lead directly to death, personal injury, severe physical damage or other loss (i.e., nuclear reaction control in nuclear facility, aircraft flight control, air traffic control, mass transport control, medical life support system, missile launch control in weapon system), or (2) for use requiring extremely high reliability (i.e., submersible repeater and artificial satellite).

Please note that Fujitsu will not be liable against you and/or any third party for any claims or damages arising in connection with above-mentioned uses of the products.

Any semiconductor devices have an inherent chance of failure. You must protect against injury, damage or loss from such failures by incorporating safety design measures into your facility and equipment such as redundancy, fire protection, and prevention of over-current levels and other abnormal operating conditions.

If any products described in this document represent goods or technologies subject to certain restrictions on export under the Foreign Exchange and Foreign Trade Law of Japan, the prior authorization by Japanese government will be required for export of those products from Japan.

F0209  
© FUJITSU LIMITED Printed in Japan