



460kbps, 1µA Supply Current, RS-232-Compatible Transceivers in µMAX

MAX3311/MAX3313

General Description

The MAX3311/MAX3313 are low-power, +5V EIA/TIA-232-compatible transceivers. Both devices have one transmitter and one receiver. The transceivers have a proprietary low-dropout transmitter output stage enabling RS-232-compatible operation from a +5V supply with a single inverting charge pump. These devices require only three 0.1µF capacitors and will run at data rates up to 460kbps while maintaining RS-232-compatible output levels.

The MAX3311 features a 1µA shutdown mode. In shutdown the device turns off the charge pump, pulls V- to ground, and the transmitter output is disabled. The MAX3313 features an **INVALID** output that asserts high when an active RS-232 cable signal is connected, signaling to the host that a peripheral is connected to the communication port.

Features

- ◆ 1µA Low-Power Shutdown (MAX3311)
- ◆ **INVALID** Output (MAX3313)
- ◆ Receiver Active in Shutdown (MAX3311)
- ◆ Single Transceiver (1Tx/1Rx) in 10-Pin µMAX
- ◆ RS-232-Compatible Operation

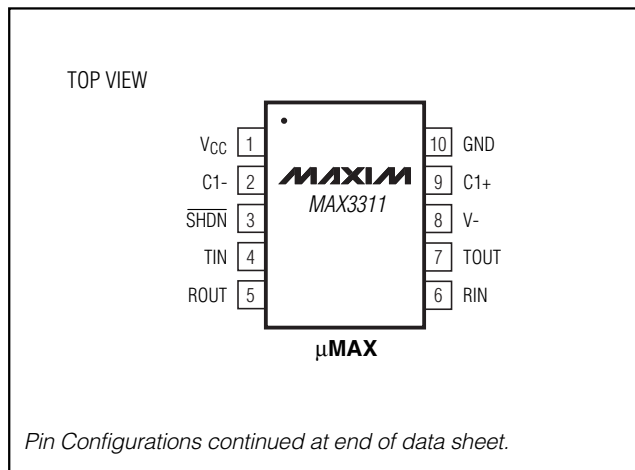
Ordering Information

PART	TEMP. RANGE	PIN-PACKAGE
MAX3311CUB	0°C to +70°C	10 µMAX
MAX3311EUB	-40°C to +85°C	10 µMAX
MAX3313CUB	0°C to +70°C	10 µMAX
MAX3313EUB	-40°C to +85°C	10 µMAX

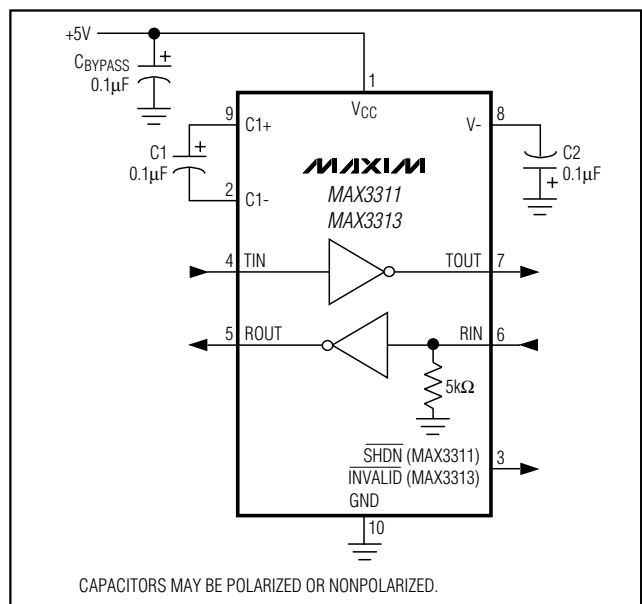
Applications

- Digital Cameras
- PDA's
- GPS
- POS
- Telecommunications
- Handy Terminals
- Set-Top Boxes

Pin Configurations



Typical Operating Circuit



For price, delivery, and to place orders, please contact Maxim Distribution at 1-888-629-4642, or visit Maxim's website at www.maxim-ic.com.

460kbps, 1 μ A Supply Current, RS-232-Compatible Transceivers in μ MAX

ABSOLUTE MAXIMUM RATINGS

V _{CC} to GND	-0.3V to +6V	Continuous Power Dissipation	
V ₋ to GND	+0.3V to -7V	10-Pin μ MAX (derate 5.6mW/°C above +70°C)	444mW
V _{CC} + V ₋ 	+13V	Operating Temperature Ranges	
Input Voltages		MAX331_CUB	0°C to +70°C
TIN, SHDN to GND	-0.3V to +6V	MAX331_EUB	-40°C to +85°C
RIN to GND	\pm 25V	Junction Temperature	+150°C
Output Voltages		Storage Temperature Range	-65°C to +150°C
TOUT to GND	\pm 13.2V	Lead Temperature (soldering, 10s)	+300°C
ROUT, INVALID to GND	-0.3V to (V _{CC} + 0.3V)		
Short-Circuit Duration			
TOUT to GND	Continuous		

Stresses beyond those listed under "Absolute Maximum Ratings" may cause permanent damage to the device. These are stress ratings only, and functional operation of the device at these or any other conditions beyond those indicated in the operational sections of the specifications is not implied. Exposure to absolute maximum rating conditions for extended periods may affect device reliability.

ELECTRICAL CHARACTERISTICS

(V_{CC} = +5V, C1 and C2 = 0.1 μ F, T_A = T_{MIN} to T_{MAX}. Typical values are at T_A = +25°C.)

PARAMETER	SYMBOL	CONDITIONS	MIN	TYP	MAX	UNITS
DC CHARACTERISTICS						
Supply Operation Range	V _{CC}		4.5	5	5.5	V
Supply Current		SHDN = V _{CC} , no load		100	250	μ A
Shutdown Supply Current		SHDN = GND (MAX3311 only)		1	10	μ A
LOGIC INPUTS (TIN, SHDN)						
Input Logic Threshold Low	V _{IL}		0.8			V
Input Logic Threshold High	V _{IH}				2.4	V
Transmitter Input Hysteresis				0.5		V
Input Leakage Current				\pm 0.01	\pm 1	μ A
RECEIVER OUTPUT						
Output Voltage Low	V _{OL}	I _{OUT} = 1.6mA			0.4	V
Output Voltage High	V _{OH}	I _{OUT} = -1.0mA	V _{CC} - 0.6	V _{CC} - 0.1		V
INVALID OUTPUT (MAX3313 ONLY)						
Receiver Input Threshold to INVALID Output High		Figure 5, positive threshold			2.7	V
		Figure 5, negative threshold	-2.7			
Receiver Input Threshold to INVALID Output Low		Figure 5	-0.3		0.3	V
INVALID Output Low	V _{OL}	I _{OUT} = 1.6mA			0.4	V
INVALID Output High	V _{OH}	I _{OUT} = -1.0mA	V _{CC} - 0.6			V
Receiver Positive or Negative Threshold to INVALID High		Figure 5		0.1		μ s
Receiver Positive or Negative Threshold to INVALID Low		Figure 5		30		μ s

460kbps, 1 μ A Supply Current, RS-232-Compatible Transceivers in μ MAX

MAX3311/MAX3313

ELECTRICAL CHARACTERISTICS (continued)

($V_{CC} = +5V$, C_1 and $C_2 = 0.1\mu F$, $T_A = T_{MIN}$ to T_{MAX} . Typical values are at $T_A = +25^\circ C$.)

PARAMETER	SYMBOL	CONDITIONS	MIN	TYP	MAX	UNITS
RECEIVER INPUT						
Input Threshold Low	V_{IL}		0.8			V
Input Threshold High	V_{IH}				2.4	V
Input Hysteresis				0.5		V
Input Resistance				5		k Ω
TRANSMITTER OUTPUT						
Output Voltage Swing		Transmitter output loaded with 3k Ω to ground	± 3.7			V
Output Resistance (Note 1)		$V_{CC} = 0$, transmitter output = $\pm 2V$	300			Ω
Output Short-Circuit Current					± 60	mA
Output Leakage Current		$V_{OUT} = \pm 12V$, transmitter disabled			± 25	μA

Note 1: Not tested—guaranteed by design.

TIMING CHARACTERISTICS

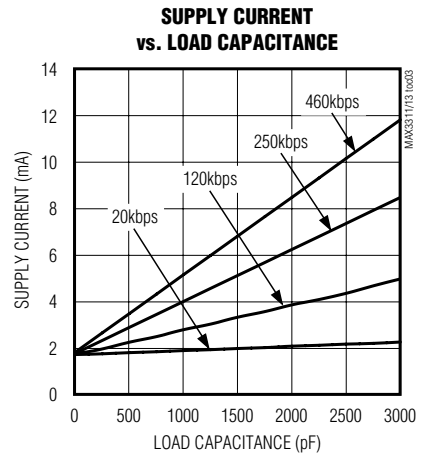
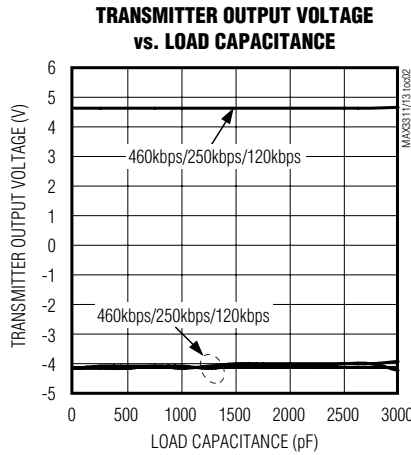
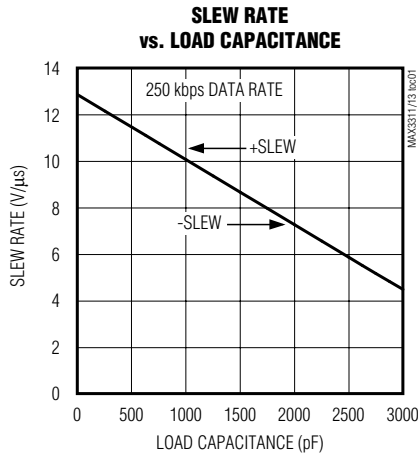
($V_{CC} = +5V$, C_1 and $C_2 = 0.1\mu F$, $T_A = T_{MIN}$ to T_{MAX} . Typical values are at $T_A = +25^\circ C$.)

PARAMETER	SYMBOL	CONDITIONS	MIN	TYP	MAX	UNITS
Maximum Data Rate		$R_L = 3k\Omega$, $C_L = 1000pF$	460			kbps
Receiver Propagation Delay	t_{PLH} , t_{PHL}	Receiver input to receiver output $C_L = 150pF$		0.15		μs
Transmitter Skew				100		ns
Receiver Skew				50		ns
Transition Region Slew Rate		$R_L = 3k\Omega$ to $7k\Omega$, $C_L = 150pF$ to $1000pF$, measured from $+3V$ to $-3V$ or from $-3V$ to $+3V$		11		V/ μs

460kbps, 1μA Supply Current, RS-232-Compatible Transceivers in μMAX

Typical Operating Characteristics

(V_{CC} = +5V, 0.1μF capacitors, transmitter loaded with 3kΩ and C_L, T_A = +25°C, unless otherwise noted.)



Pin Description

PIN		NAME	FUNCTION
MAX3311	MAX3313		
1	1	V _{CC}	+5V External Power Supply. Decouple with a 0.1μF capacitor to ground.
2	2	C1-	Negative Terminal of the Voltage Inverter Charge-Pump Capacitor
3	—	$\overline{\text{SHDN}}$	Shutdown Active-Low (0 = off, 1 = on)
—	3	$\overline{\text{INVALID}}$	Valid Signal Detector Output, Active-Low. A logic high indicates that a valid RS-232 level is present on the receiver input.
4	4	TIN	TTL/CMOS Transmitter Input
5	5	ROUT	TTL/CMOS Receiver Output
6	6	RIN	RS-232 Receiver Input
7	7	TOUT	RS-232-Compatible Transmitter Output
8	8	V-	-4.3V generated by the charge pump. Connect a 0.1μF capacitor to ground.
9	9	C1+	Positive Terminal of the Voltage Inverter Charge-Pump Capacitor
10	10	GND	Ground

460kbps, 1 μ A Supply Current, RS-232-Compatible Transceivers in μ MAX

Detailed Description

Single Charge-Pump Voltage Converter

The MAX3311/MAX3313 internal power supply has a single inverting charge pump that provides a negative voltage from a single +5V supply. The charge pump operates in a discontinuous mode and requires a flying capacitor (C1) and a reservoir capacitor (C2) to generate the V- supply.

RS-232-Compatible Driver

The transmitter is an inverting level translator that converts CMOS-logic levels to EIA/TIA-232-compatible levels. It guarantees data rates up to 460kbps with worst-case loads of 3k Ω in parallel with 1000pF. When $\overline{\text{SHDN}}$ is driven low, the transmitter is disabled and put into three state. The transmitter input does not have an internal pullup resistor.

RS-232 Receiver

The MAX3311/MAX3313 receiver converts RS-232 signals to CMOS-logic output levels. The MAX3311 receiver will remain active during shutdown mode. The MAX3313 $\overline{\text{INVALID}}$ indicates when an RS-232 signal is present at the receiver input, and therefore when the port is in use.

The MAX3313 $\overline{\text{INVALID}}$ output is pulled low when no valid RS-232 signal level is detected on the receiver input.

MAX3311 Shutdown Mode

In shutdown mode, the charge pump is turned off, V- is pulled to ground, and the transmitter output is disabled (Table 1). This reduces supply current typically to 1 μ A. The time required to exit shutdown is typically less than 100 μ s.

Applications Information

Capacitor Selection

The capacitor type used for C1 and C2 is not critical for proper operation; either polarized or nonpolarized capacitors are acceptable. If polarized capacitors are used, connect polarity as shown in the *Typical Operating Circuit*. The charge pump requires 0.1 μ F capacitors. Increasing the capacitor values (e.g., by a

factor of 2) reduces power consumption. C2 can be increased without changing C1's value. However, do not increase C1's value without also increasing the value of C2 and CBYPASS to maintain the proper ratios (C1 to the other capacitors).

When using the minimum 0.1 μ F capacitors, make sure the capacitance does not degrade excessively with temperature. If in doubt, use capacitors with a larger nominal value. The capacitor's equivalent series resistance (ESR) usually rises at low temperatures and influences the amount of ripple on V-.

To reduce the output impedance at V-, use larger capacitors (up to 10 μ F).

Bypass VCC to ground with at least 0.1 μ F. In applications sensitive to power-supply noise generated by the charge pump, decouple VCC to ground with a capacitor the same size as (or larger than) charge-pump capacitors C1 and C2.

Transmitter Output when Exiting Shutdown

Figure 1 shows the transmitter output when exiting shutdown mode. The transmitter is loaded with 3k Ω in parallel with 1000pF. The transmitter output displays no ringing or undesirable transients as the MAX3311 comes out of shutdown. Note that the transmitter is enabled only when the magnitude of V- exceeds approximately -3V.

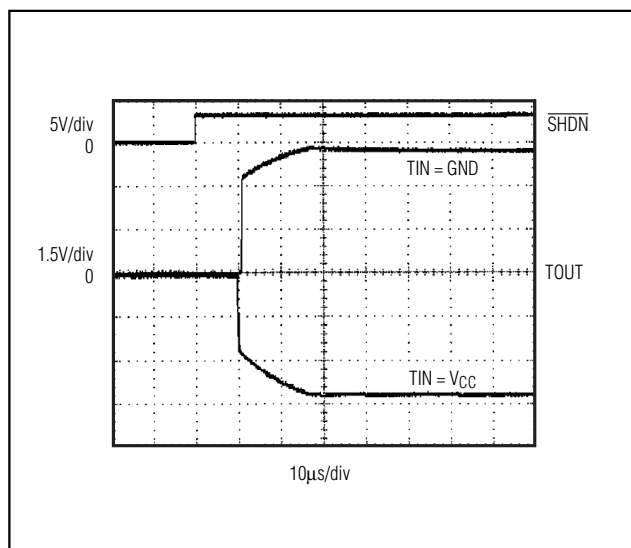


Figure 1. Transmitter Output when Exiting Shutdown or Powering Up

Table 1. MAX3311 Shutdown Logic Truth Table

$\overline{\text{SHDN}}$	TRANSMITTER OUTPUT	RECEIVER OUTPUT	CHARGE PUMP
L	High Z	Active	Inactive
H	Active	Active	Active

460kbps, 1μA Supply Current, RS-232-Compatible Transceivers in μMAX

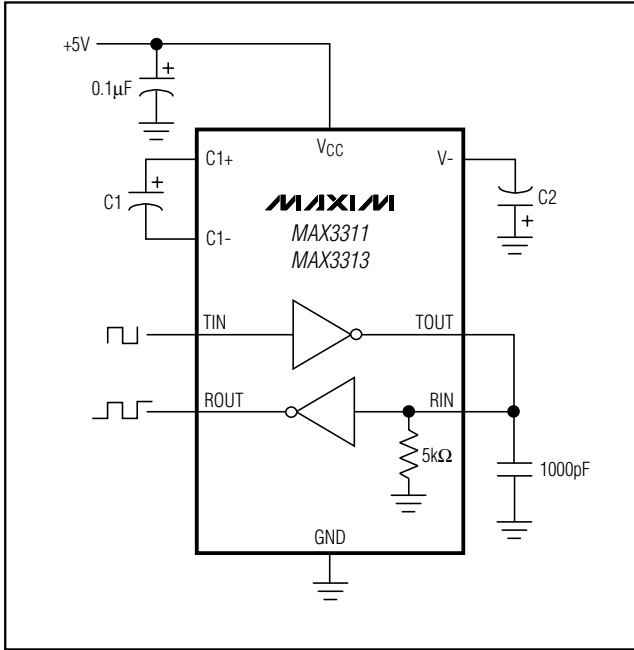


Figure 2. Loopback Test Circuit

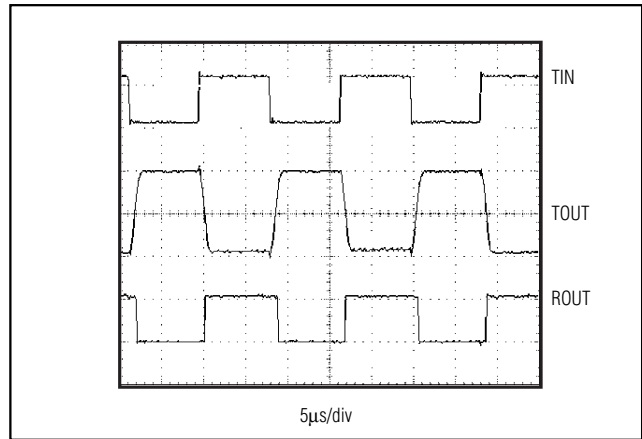


Figure 3. Loopback Test Results at 120kbps

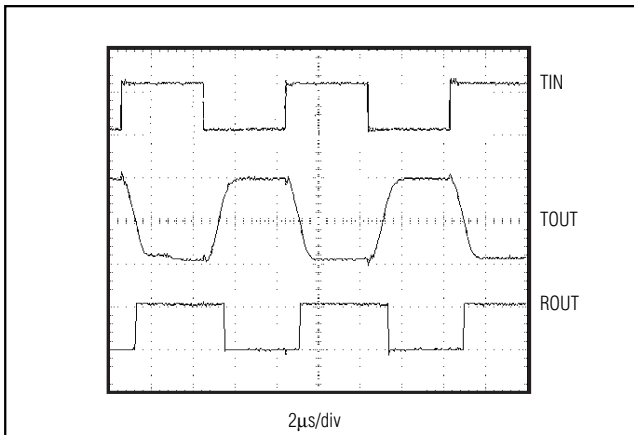


Figure 4. Loopback Test Results at 250kbps

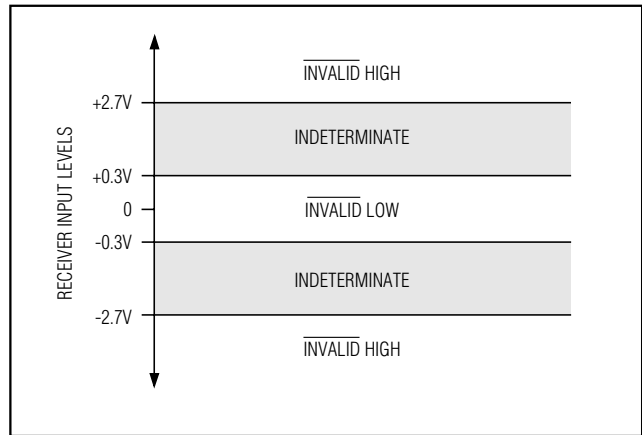


Figure 5. Receiver Positive/Negative Thresholds for $\overline{\text{INVALID}}$

High Data Rates

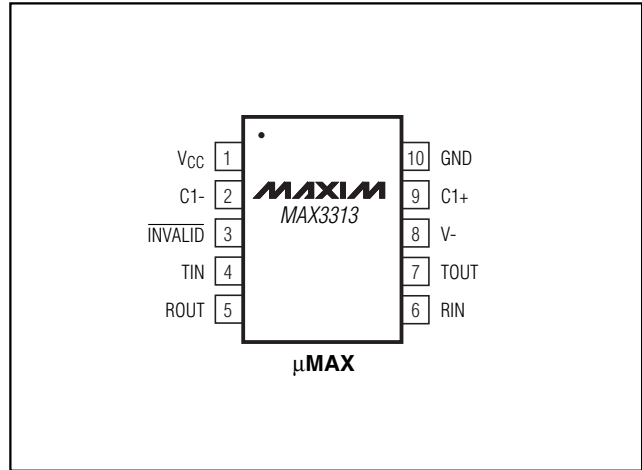
The MAX3311/MAX3313 maintain RS-232-compatible transmitter output voltage ($\pm 3.7\text{V}$ minimum) even at high data rates. Figure 2 shows a transmitter loopback test circuit. Figure 3 shows the loopback test result at 120kbps, and Figure 4 shows the same test at 250kbps.

460kbps, 1µA Supply Current, RS-232-Compatible Transceivers in µMAX

Chip Information

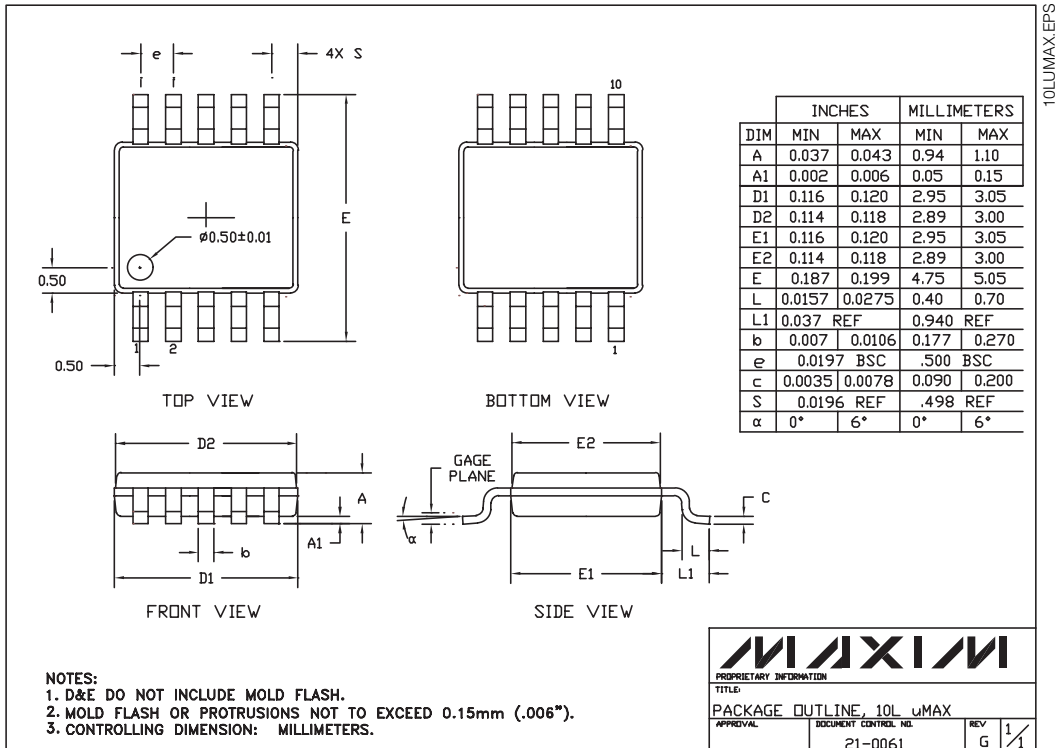
TRANSISTOR COUNT: 278

Pin Configurations (continued)



MAX3311/MAX3313

Package Information



TOLLUMAX.EPS

Maxim cannot assume responsibility for use of any circuitry other than circuitry entirely embodied in a Maxim product. No circuit patent licenses are implied. Maxim reserves the right to change the circuitry and specifications without notice at any time.

Maxim Integrated Products, 120 San Gabriel Drive, Sunnyvale, CA 94086 408-737-7600 7

© 2001 Maxim Integrated Products

Printed USA

MAXIM is a registered trademark of Maxim Integrated Products.