

DS26LS32AC/DS26LS32C/DS26LS32M/DS26LS33M

Quad Differential Line Receivers

General Description

The DS26LS32 and DS26LS32A are quad differential line receivers designed to meet the RS-422, RS-423 and Federal Standards 1020 and 1030 for balanced and unbalanced digital data transmission.

The DS26LS32 and DS26LS32A have an input sensitivity of 200 mV over the input voltage range of $\pm 7V$ and the DS26LS33 have an input sensitivity of 500 mV over the input voltage range of $\pm 15V$.

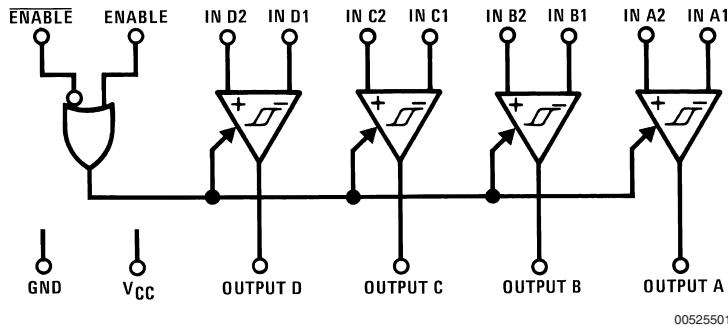
The DS26LS32A differ in function from the popular DS26LS32 and DS26LS33 in that input pull-up and pull-down resistors are included which prevent output oscillation on unused channels.

Each version provides an enable and disable function common to all four receivers and features TRI-STATE[®] outputs with 8 mA sink capability. Constructed using low power Schottky processing, these devices are available over the full military and commercial operating temperature ranges.

Features

- High differential or common-mode input voltage ranges of $\pm 7V$ on the DS26LS32 and DS26LS32A and $\pm 15V$ on the DS26LS33
- $\pm 0.2V$ sensitivity over the input voltage range on the DS26LS32 and DS26LS32A, $\pm 0.5V$ sensitivity on the DS26LS33
- DS26LS32 and DS26LS32A meet all requirements of RS-422 and RS-423
- 6k minimum input impedance
- 100 mV input hysteresis on the DS26LS32 and DS26LS32A, 200 mV on the DS26LS33
- Operation from a single 5V supply
- TRI-STATE outputs, with choice of complementary output enables for receiving directly onto a data bus

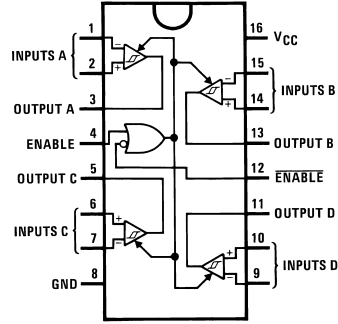
Logic Diagram



TRI-STATE[®] is a registered trademark of National Semiconductor Corporation.

Connection Diagrams

Dual-In-Line Package



00525502

Top View

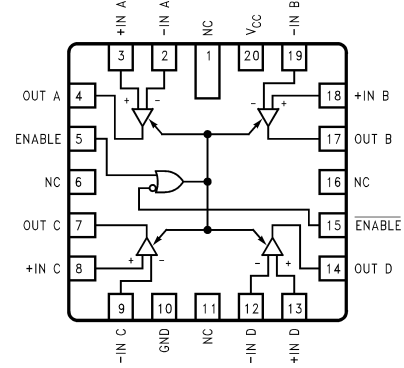
Order Number DS26LS32CM, DS26LS32CN,
DS26LS32ACM, DS26LS32ACN, DS26LS33ACM
or DS26LS33ACN

See NS Package Number M16A or N16E
For Complete Military Product Specifications,
refer to the appropriate SMD or MDS.

Order Number DS26LS32MJ/883, DS26LS32MW/883,
DS26LS32ME/883, DS26LS33MW/883

See NS Package Number E20A, J16A or W16A

20-Lead Ceramic Leadless Chip Carrier



00525512

Truth Table

ENABLE	$\overline{\text{ENABLE}}$	Input	Output
0	1	X	Hi-Z
See Note Below		$V_{ID} \geq V_{TH} \text{ (Max)}$	1
		$V_{ID} \leq V_{TH} \text{ (Min)}$	0

Hi-Z = TRI-STATE®

Note: Input conditions may be any combination not defined for ENABLE and $\overline{\text{ENABLE}}$.

Absolute Maximum Ratings (Note 3)

If Military/Aerospace specified devices are required, please contact the National Semiconductor Sales Office/Distributors for availability and specifications.

Supply Voltage	7V
Common-Mode Range	±25V
Differential Input Voltage	±25V
Enable Voltage	7V
Output Sink Current	50 mA
Maximum Power Dissipation (Note 1) at 25°C	
Cavity Package	1433 mW
Molded Dip Package	1362 mW
SO Package DS26LS32	1002 mW
DS26LS32A	1051 mW
Storage Temperature Range	-65°C to +165°C
Lead Temperature (Soldering, 4 seconds)	260°C

Operating Conditions

	Min	Max	Units
Supply Voltage, (V_{CC})			
DS26LS32M, DS26LS33M (MIL)	4.5	5.5	V
DS26LS32C DS26LS32AC (COML)	4.75	5.25	V
Temperature, (T_A)			
DS26LS32M, DS26LS33M (MIL)	-55	+125	°C
DS26LS32C DS26LS32AC (COML)	0	+70	°C

Note 1: Derate cavity package 9.6 mW/°C above 25°C; derate molded DIP package 10.9 mW/°C above 25°C.

Note 2: Derate SO Package 8.01 mW/°C for DS26LS32 8.41 mW/°C for DS26LS32A

Electrical Characteristics (Notes 4, 5, 6)

over the operating temperature range unless otherwise specified

Symbol	Parameter	Conditions	Min	Typ	Max	Units		
V_{TH}	Differential Input Voltage	$V_{OUT} = V_{OH}$ or V_{OL}	DS26LS32, DS26LS32A, $-7V \leq V_{CM} \leq +7V$		-0.2	±0.07	0.2	V
			DS26LS33, DS26LS33A, $-15V \leq V_{CM} \leq +15V$		-0.5	±0.14	0.5	V
R_{IN}	Input Resistance	$-15V \leq V_{CM} \leq +15V$ (One Input AC GND)		6.0	8.5		kΩ	
I_{IN}	Input Current (Under Test)	$V_{IN} = 15V$, Other Input $-15V \leq V_{IN} \leq +15V$				2.3	mA	
		$V_{IN} = -15V$, Other Input $-15V \leq V_{IN} \leq +15V$				-2.8	mA	
V_{OH}	Output High Voltage	$V_{CC} = \text{MIN}$, $\Delta V_{IN} = 1V$, $V_{ENABLE} = 0.8V$, $I_{OH} = -440 \mu A$	Commercial	2.7	4.2		V	
			Military	2.5	4.2		V	
V_{OL}	Output Low Voltage	$V_{CC} = \text{Min}$, $\Delta V_{IN} = -1V$, $V_{ENABLE} = 0.8V$	$I_{OL} = 4 \text{ mA}$			0.4	V	
			$I_{OL} = 8 \text{ mA}$			0.45	V	
V_{IL}	Enable Low Voltage				0.8	V		
V_{IH}	Enable High Voltage		2.0			V		
V_I	Enable Clamp Voltage	$V_{CC} = \text{Min}$, $I_{IN} = -18 \text{ mA}$				-1.5	V	
I_O	OFF-State (High Impedance) Output Current	$V_{CC} = \text{Max}$	$V_O = 2.4V$			20	μA	
			$V_O = 0.4V$			-20	μA	
I_{IL}	Enable Low Current	$V_{IN} = 0.4V$				-0.36	mA	
I_{IH}	Enable High Current	$V_{IN} = 2.7V$				20	μA	
I_{SC}	Output Short-Circuit Current	$V_O = 0V$, $V_{CC} = \text{Max}$, $\Delta V_{IN} = 1V$		-15		-85	mA	
I_{CC}	Power Supply Current	$V_{CC} = \text{Max}$, All $V_{IN} = \text{GND}$, Outputs Disabled	DS26LS32, DS26LS32A	52	70		mA	
			DS26LS33, DS26LS33A	57	80		mA	
I_I	Input High Current	$V_{IN} = 5.5V$				100	μA	
V_{HYST}	Input Hysteresis	$T_A = 25^\circ C$, $V_{CC} = 5V$, $V_{CM} = 0V$	DS26LS32, DS26LS32A	100			mV	
			DS26LS33, DS26LS33A	200			mV	

Note 3: "Absolute Maximum Ratings" are those values beyond which the safety of the device cannot be guaranteed. They are not meant to imply that the device should be operated at these limits. The table of "Electrical Characteristics" provides conditions for actual device operation.

Note 4: All currents into device pins are shown as positive, all currents out of device pins are shown as negative, all voltages are referenced to ground, unless otherwise specified. All values shown as max or min are so classified on absolute value basis.

Note 5: All typical values are $V_{CC} = 5V$, $T_A = 25^\circ C$.

Note 6: Only one output at a time should be shorted.

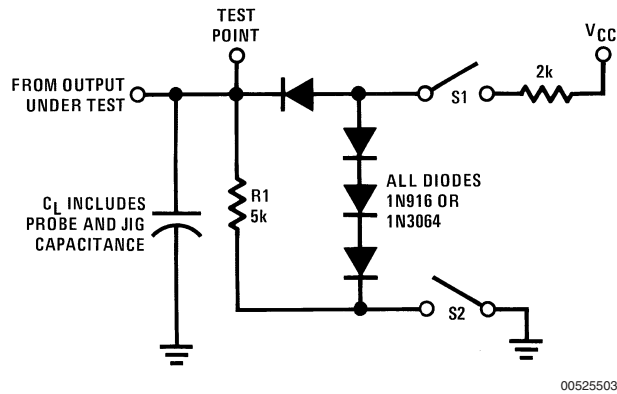
Switching Characteristics

$V_{CC} = 5V, T_A = 25^\circ C$

Symbol	Parameter	Conditions	DS26LS32/DS26LS33			DS26LS32A/DS26LS33A			Units
			Min	Typ	Max	Min	Typ	Max	
t_{PLH}	Input to Output	$C_L = 15 \text{ pF}$		17	25		23	35	ns
t_{PHL}	Input to Output	$C_L = 15 \text{ pF}$		17	25		23	35	ns
t_{LZ}	ENABLE to Output	$C_L = 5 \text{ pF}$		20	30		15	30	ns
t_{HZ}	ENABLE to Output	$C_L = 5 \text{ pF}$		15	22		20	25	ns
t_{ZL}	ENABLE to Output	$C_L = 15 \text{ pF}$		15	22		14	22	ns
t_{ZH}	ENABLE to Output	$C_L = 15 \text{ pF}$		15	22		15	22	ns

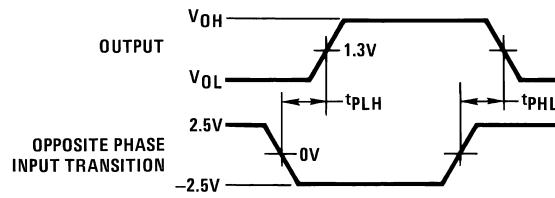
AC Test Circuit and Switching Time Waveforms

Load Test Circuit for TRI-STATE® Outputs



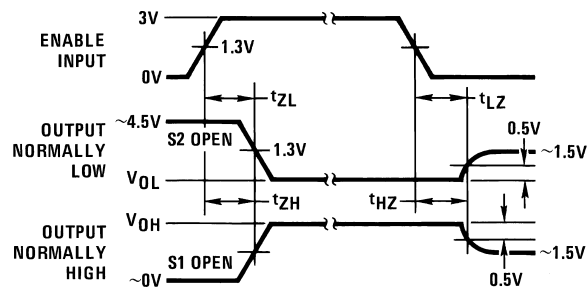
00525503

Propagation Delay (Notes 7, 9)



00525504

Enable and Disable Times (Notes 8, 9)



00525505

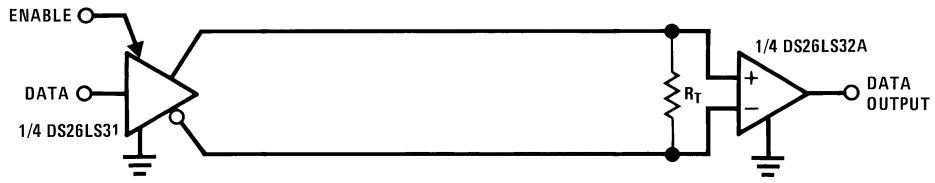
Note 7: Diagram shown for $\overline{\text{ENABLE}}$ low.

Note 8: S1 and S2 of load circuit are closed except where shown.

Note 9: Pulse generator for all pulses: Rate = 1.0 MHz; $Z_O = 50\Omega$; $t_r \leq 6 \text{ ns}$; $t_f \leq 6.0 \text{ ns}$.

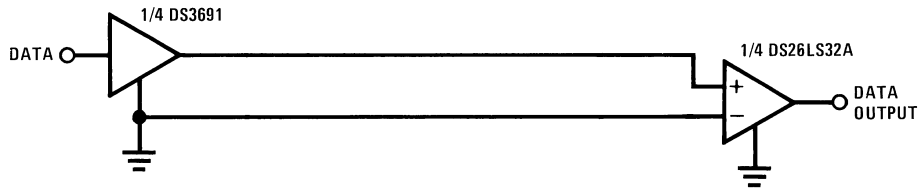
Typical Applications

Two-Wire Balanced Interface—RS-422



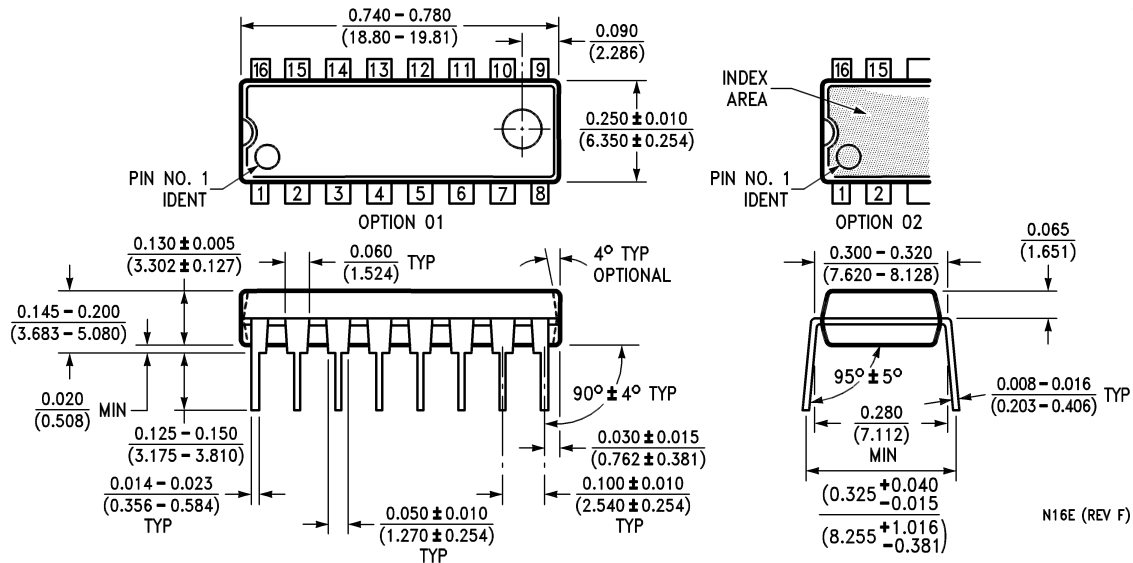
00525506

Single Wire with Driver Ground Reference—RS-423

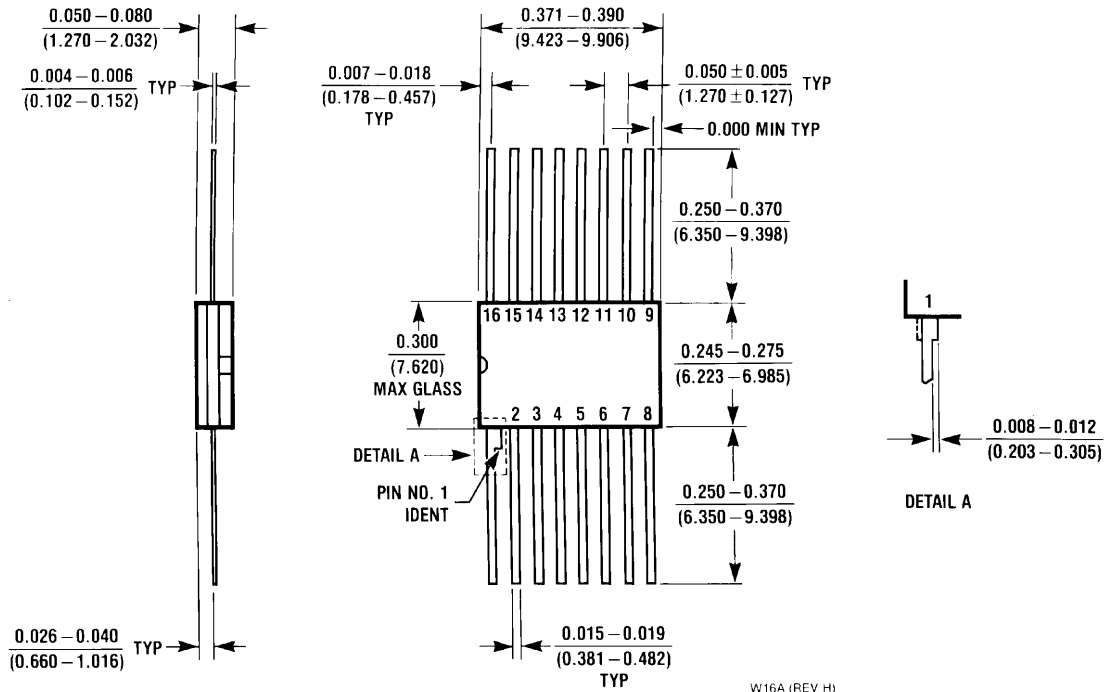


00525507

Physical Dimensions inches (millimeters) unless otherwise noted (Continued)



Molded Dual-In-Line Package (N)
Order Number DS26LS32CN or DS26LS32ACN
NS Package Number N16E



16 Lead Ceramic Flatpak (W)
Order Number DS26LS32MW/883 or DS26LS33MW/883
NS Package Number W16A

