

HD29026A/HD29027/HD29028

Dual CCD Drivers

HITACHI

ADE-205-001 (Z)
1st. Edition
Jul. 1990

Description

HD29026A, HD29027 and HD29028 include two on-chip drivers on a single chip, making it the optimal choice as a CCD driver. Operation is provided with a TTL level input, and output current of 1 A is available for both sink and source.

Features

- High speed output rise and fall (20 ns typ) at load capacitance (C_L) of 1000 pF
- Direct drive of input block by TTL eliminates the need for external components
- Output swing voltage of 12 V; output current of 1 A available for both sink and source
- Output wave cross point 50% typ

Ordering Information

Product name	Supply voltage	Package
HD29026AP	12 V	300 mil 8-pin plastic DIP (DP-8)
HD29026AFP		225 mil 8-pin plastic SOP (FP-8D)
HD29027P	6 V	300 mil 8-pin plastic DIP (DP-8)
HD29027FP		225 mil 8-pin plastic SOP (FP-8D)
HD29028P	12 V	300 mil 8-pin plastic DIP (DP-8)
HD29028FP		225 mil 8-pin plastic SOP (FP-8D)

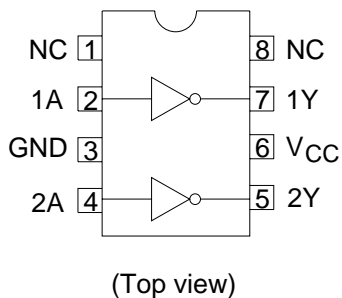
Function Table

Input A	Output Y
H	L
L	H

Note: H: High level
L: Low level



Pin Arrangement



Absolute Maximum Ratings

Item		Symbol	Rating	Unit
Supply voltage	HD29026A	V_{CC}^{*1}	15	V
	HD29027		10	
	HD29028		15	
Input voltage		V_I	7	V
Output peak current		$I_{O(peak)}$	± 1	A
Operating temperature range		T_a	-20 to +75	$^{\circ}\text{C}$
Storage temperature range		T_{stg}	-65 to +150	$^{\circ}\text{C}$
Junction temperature		T_j	150	$^{\circ}\text{C}$
Total dissipation		P_T^{*2} DP-8	1	W
		FP-8D	0.735	

- Notes: 1. If no value is specified, the voltage is defined by the GND pin.
 2. Value when $T_a = 25^{\circ}\text{C}$. Heat dissipation is required for large-capacitance, high-frequency drivers, so derating of 8 mW/ $^{\circ}\text{C}$ (DP-8) and 5.9 mW/ $^{\circ}\text{C}$ (FP-8D) are required.

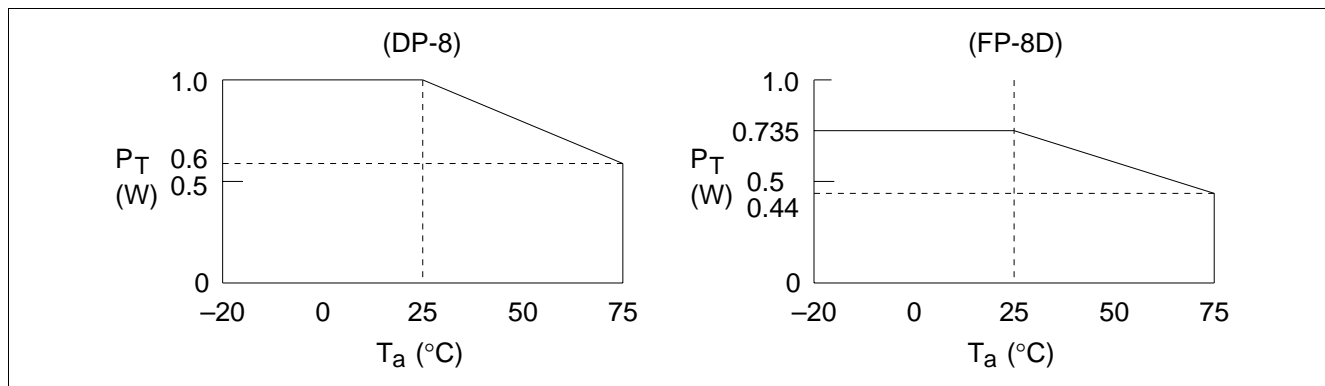


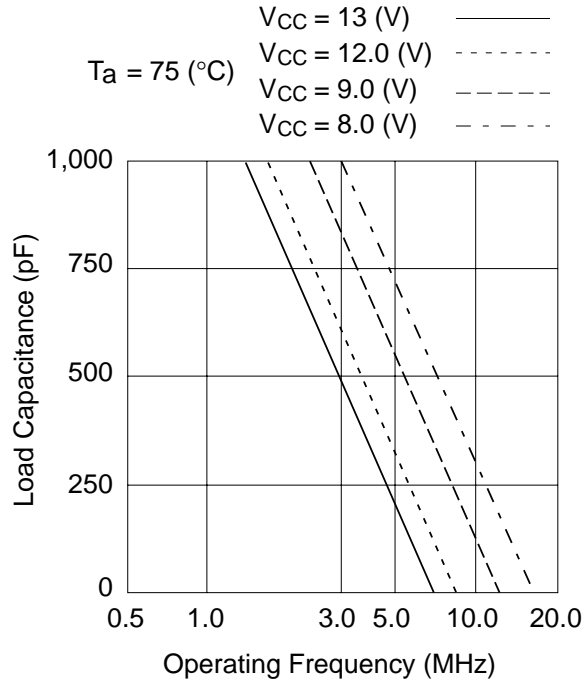
Figure 1 Package Derating Curves

Recommended Operating Conditions

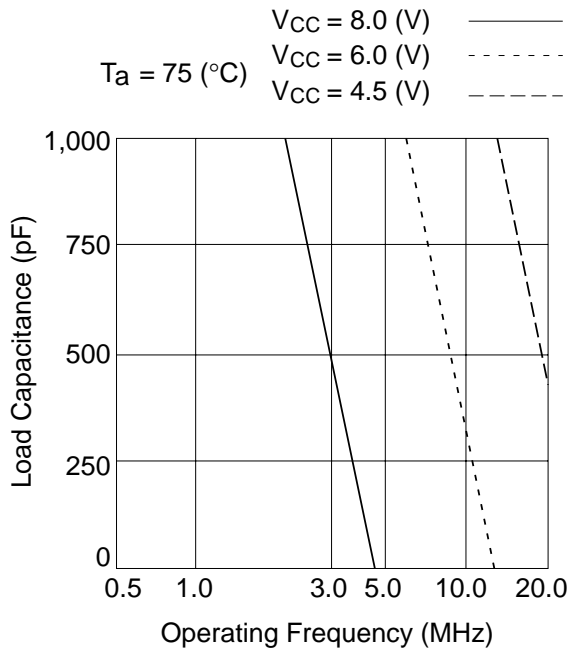
Item		Symbol	Min	Typ	Max	Unit
Supply voltage	HD29026A	V_{cc}	8	12	13	V
	HD29027	V_{cc}	4.5	6	8	
	HD29028	V_{cc}	8	9	13	
Operating temperature		T_a	-20	25	75	°C

Recommended Operating Frequency Area

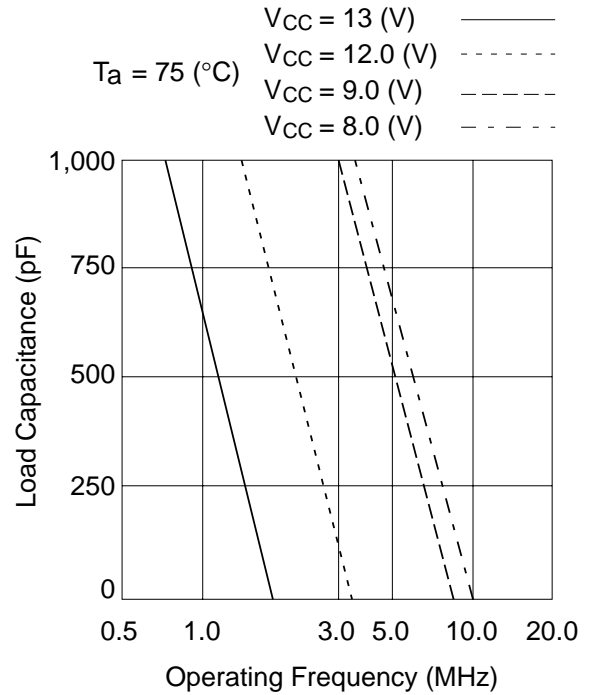
HD29026A



HD29027



HD29028



Electrical Characteristics (Ta = -20 to +75°C)

Item		Symbol	Min	Typ	Max	Unit	Test Conditions
Input voltage		V_{IH}	2.0	—	—	V	
		V_{IL}	—	—	0.6		
Output voltage		V_{OH}	$V_{CC}-1$	—	—	V	$V_{IL} = 0.6\text{ V}, I_{OH} = -1\text{ mA}$
		V_{OL}	—	—	0.5		$V_{IH} = 2.0\text{ V}, I_{OL} = 1\text{ mA}$
Input current		I_{IH}	—	—	20	μA	$V_I = 2.7\text{ V}$
	HD29026A/28	I_{IL}	—	—	-100		$V_I = 0.4\text{ V}$
	HD29027		—	—	-200		
Supply current	HD29026A	I_{CCH}	—	—	12	mA	
	HD29027		—	—	20		
	HD29028		—	—	15		
	HD29026A	I_{CCL}	—	—	20		
	HD29027		—	—	30		
	HD29028		—	—	25		
Input current		I_I	—	—	100	μA	$V_I = 7\text{ V}$
Input clamp voltage		V_{IK}	—	—	-1.5	V	$I_{IN} = -18\text{ mA}$

 Note: HD29026A/28: $V_{CC} = 8\text{ to }13\text{ V}$

 HD29027: $V_{CC} = 4.5\text{ to }8\text{ V}$
Switching Characteristics (Ta = 25°C)

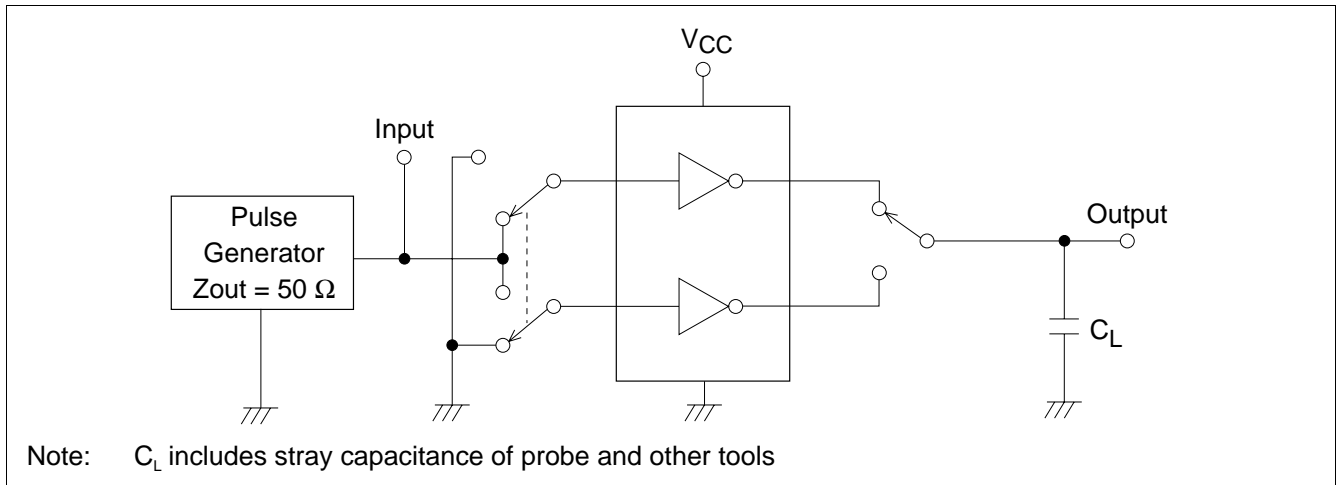
Item		Symbol	Min	Typ	Max	Unit	Test Conditions
Fall propagation delay time	HD29026A	t_{PHL}	—	16	20	ns	$C_L = 1000\text{ pF}$ $V_{CC} = 8\text{ V}$
			—	11	15		$V_{CC} = 12\text{ V}$
	HD29027		—	10	15		$V_{CC} = 6\text{ V}$
	HD29028		—	10	15		$V_{CC} = 9\text{ V}$
				—	8	13	$V_{CC} = 12\text{ V}$
Rise propagation delay time	HD29026A	t_{PLH}	—	18	25	ns	$C_L = 1000\text{ pF}$ $V_{CC} = 8\text{ V}$
			—	13	20		$V_{CC} = 12\text{ V}$
	HD29027		—	10	15		$V_{CC} = 6\text{ V}$
	HD29028		—	10	15		$V_{CC} = 9\text{ V}$
				—	8	13	$V_{CC} = 12\text{ V}$

Switching Characteristics (Ta = 25°C) (cont)

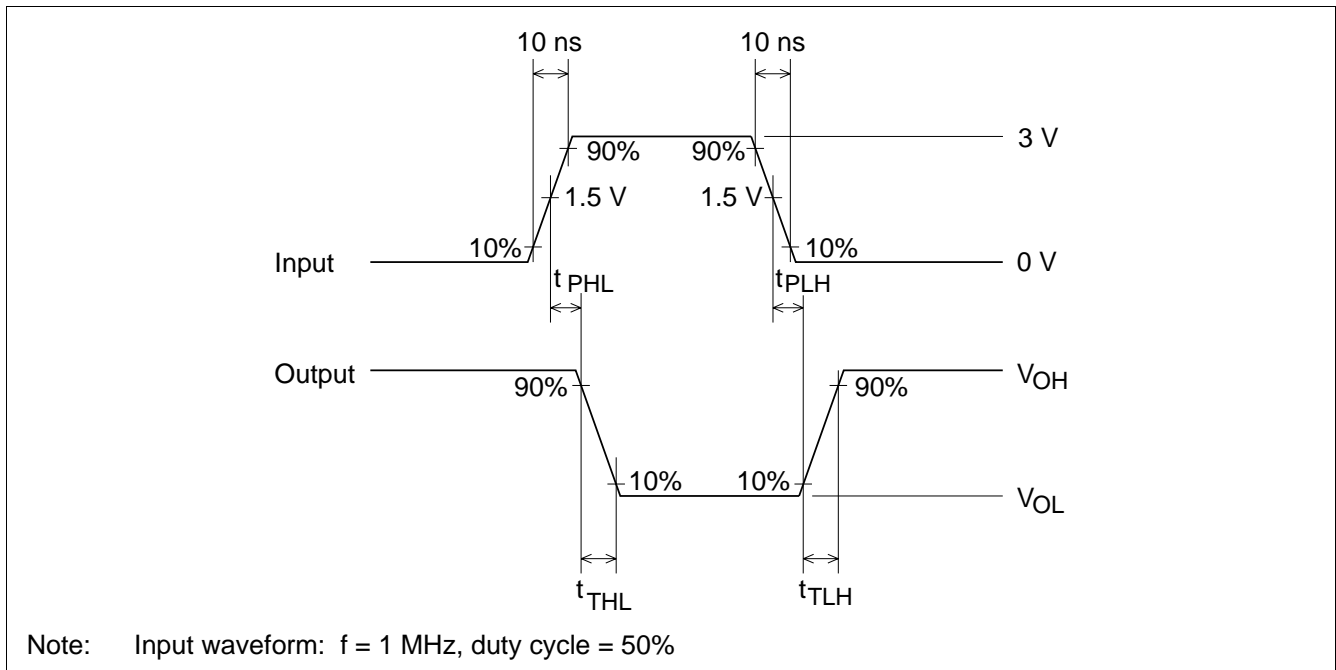
Item	Symbol	Min	Typ	Max	Unit	Test Conditions			
Fall (transition) time	HD29026A	t_{THL}	—	17	21	ns	$C_L = 250 \text{ pF}$	$V_{CC} = 8 \text{ V}$	
			—	12	16		$V_{CC} = 12 \text{ V}$		
	HD29027	—	9	14		$V_{CC} = 6 \text{ V}$			
	HD29028	—	9	13		$V_{CC} = 9 \text{ V}$			
			7	14		$V_{CC} = 12 \text{ V}$			
	HD29026A	—	20	23		$CL = 500 \text{ pF}$	$V_{CC} = 8 \text{ V}$		
			15	18			$V_{CC} = 12 \text{ V}$		
	HD29027	—	12	17		$V_{CC} = 6 \text{ V}$			
	HD29028	—	12	17		$V_{CC} = 9 \text{ V}$			
			10	15		$V_{CC} = 12 \text{ V}$			
	HD29026A	—	25	40		$C_L = 1000 \text{ pF}$	$V_{CC} = 8 \text{ V}$		
			20	35			$V_{CC} = 12 \text{ V}$		
	HD29027	—	20	25		$V_{CC} = 6 \text{ V}$			
	HD29028	—	20	25		$V_{CC} = 9 \text{ V}$			
			18	23		$V_{CC} = 12 \text{ V}$			
	Rise (transition) time	HD29026A	t_{TLH}	—	15	20	ns	$CL = 250 \text{ pF}$	$V_{CC} = 8 \text{ V}$
				—	10	15			$V_{CC} = 12 \text{ V}$
		HD29027	—	9	14		$V_{CC} = 6 \text{ V}$		
HD29028		—	9	14		$V_{CC} = 9 \text{ V}$			
			7	12		$V_{CC} = 12 \text{ V}$			
HD29026A		—	21	25		$C_L = 500 \text{ pF}$	$V_{CC} = 8 \text{ V}$		
			16	20			$V_{CC} = 12 \text{ V}$		
HD29027		—	12	17		$V_{CC} = 6 \text{ V}$			
HD29028		—	12	17		$V_{CC} = 9 \text{ V}$			
			10	15		$V_{CC} = 12 \text{ V}$			
HD29026A		—	22	30		$C_L = 1000 \text{ pF}$	$V_{CC} = 8 \text{ V}$		
			17	25			$V_{CC} = 12 \text{ V}$		
HD29027		—	20	25		$V_{CC} = 6 \text{ V}$			
HD29028		—	20	25		$V_{CC} = 9 \text{ V}$			
			18	23		$V_{CC} = 12 \text{ V}$			

Switching Time Test Method

Test circuit



Waveforms



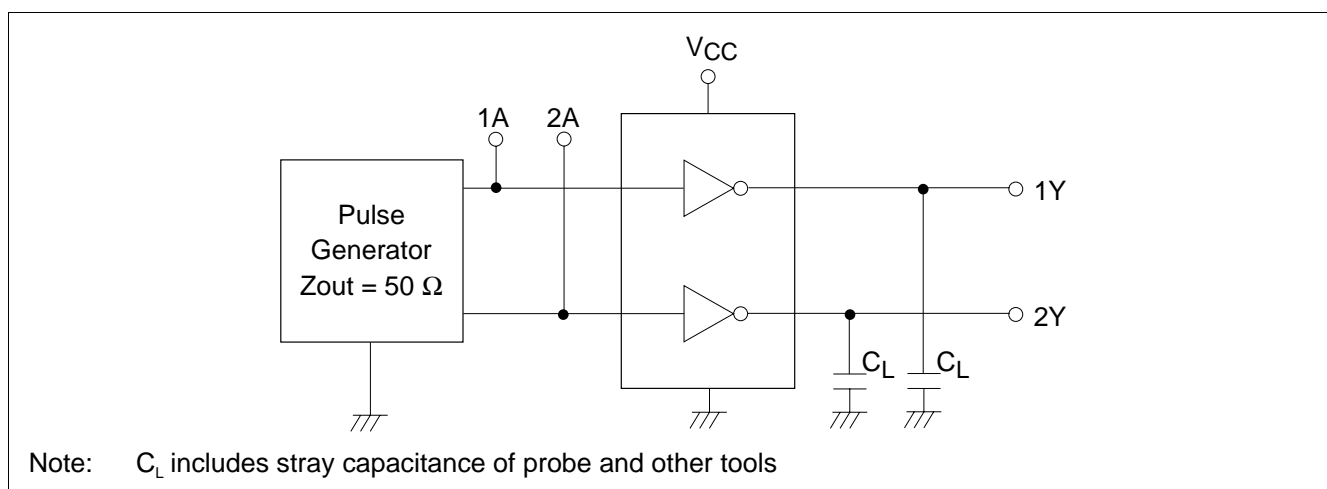
Output Timing Characteristics (Ta = 25°C)

Item	Symbol	Min	Typ	Max	Unit	Test Conditions
Output wave cross point	V_x	30	50	70	%	$C_L = 250 \text{ pF}$
		30	50	70		$C_L = 500 \text{ pF}$
		30	50	70		$C_L = 1000 \text{ pF}$

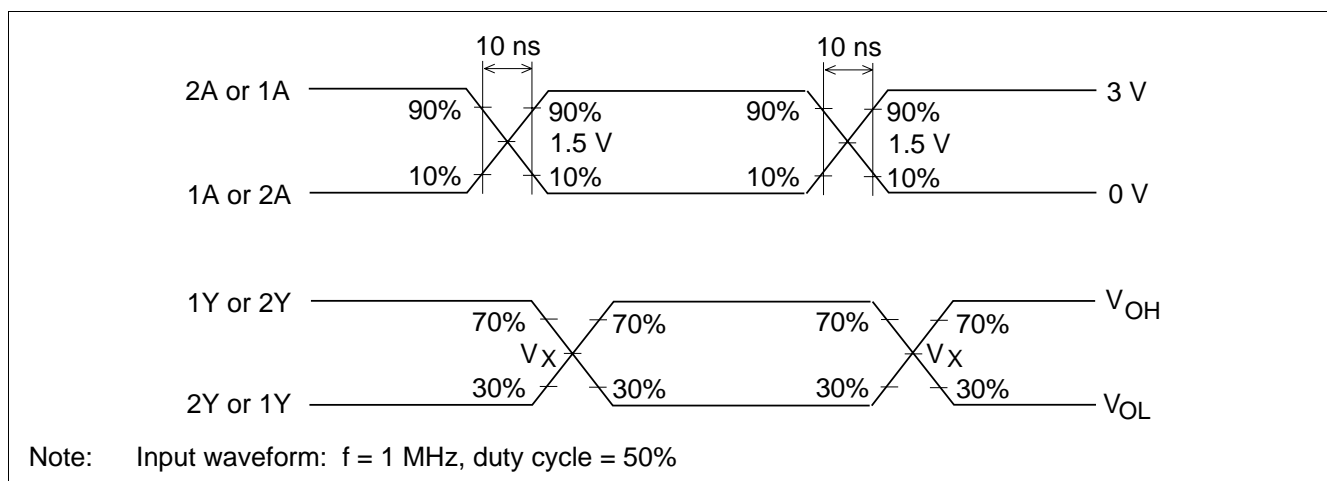
HD29027; $V_{CC} = 6 \text{ V}$, HD29028; $V_{CC} = 9, 12 \text{ V}$

Output Timing Characteristics Test Method (HD29027/28)

Test circuit

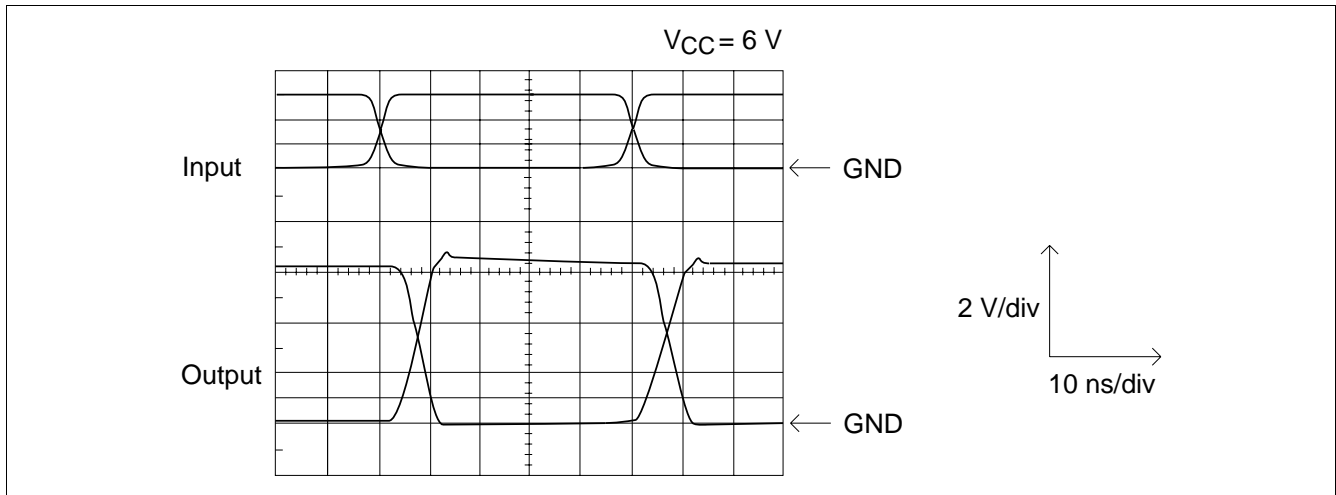


Waveform

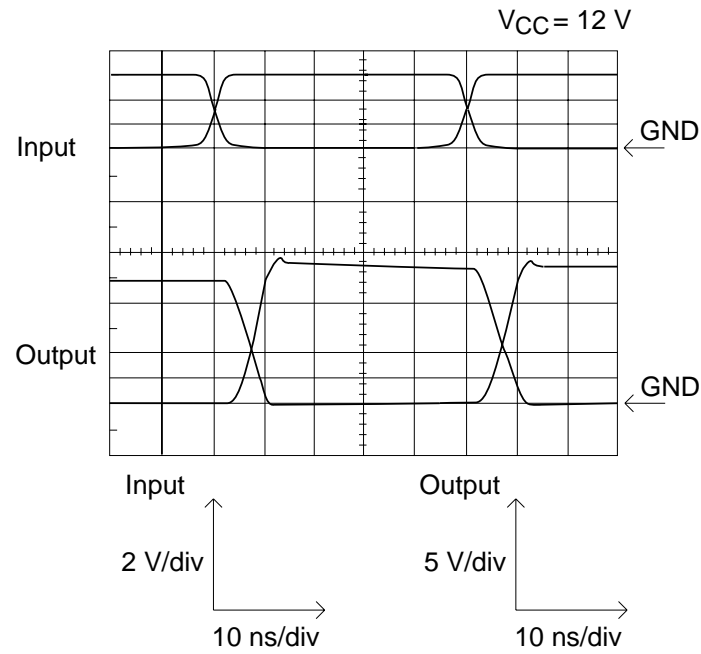
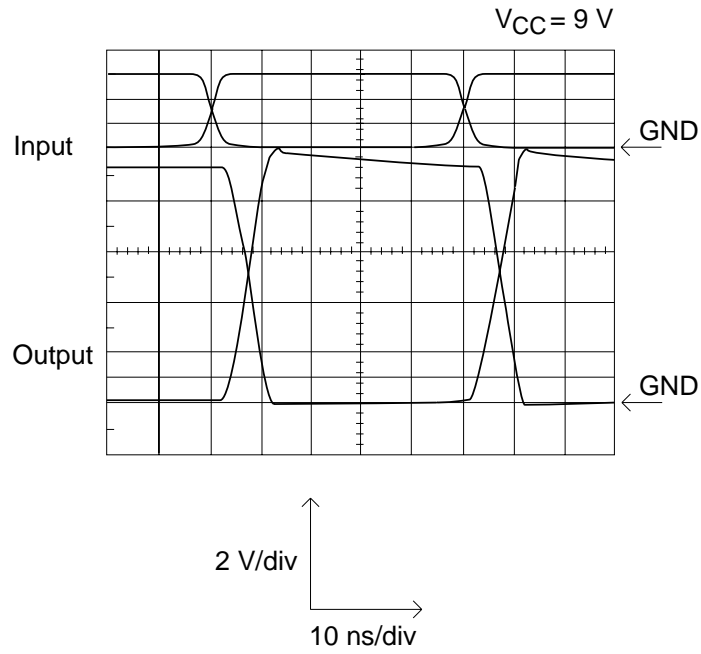


Output Timing Characteristics

HD29027

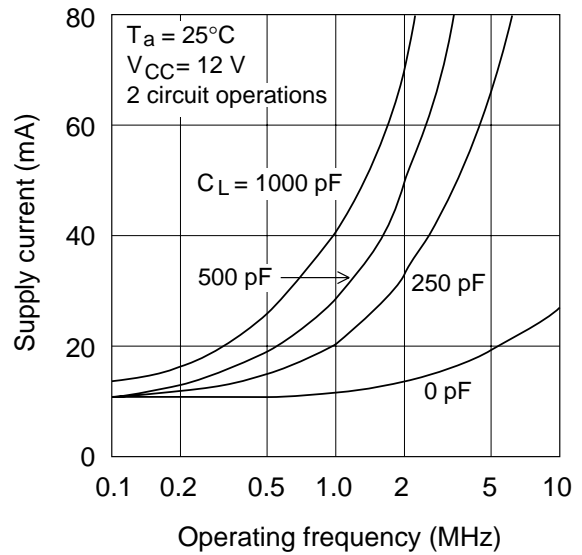
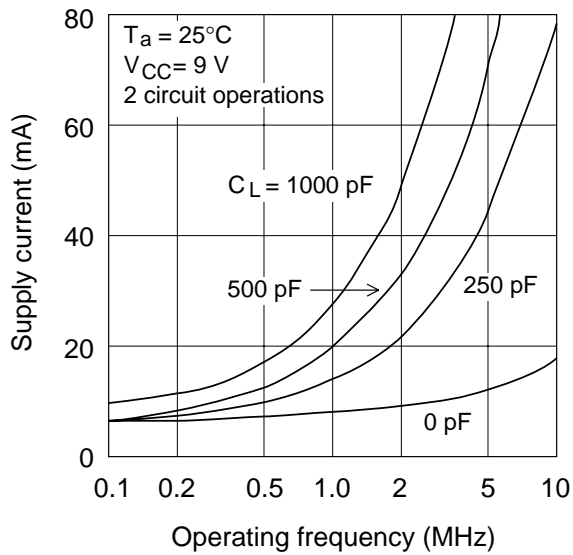
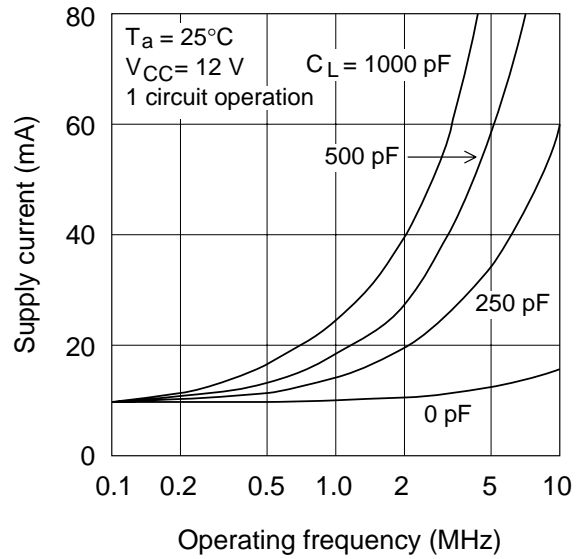
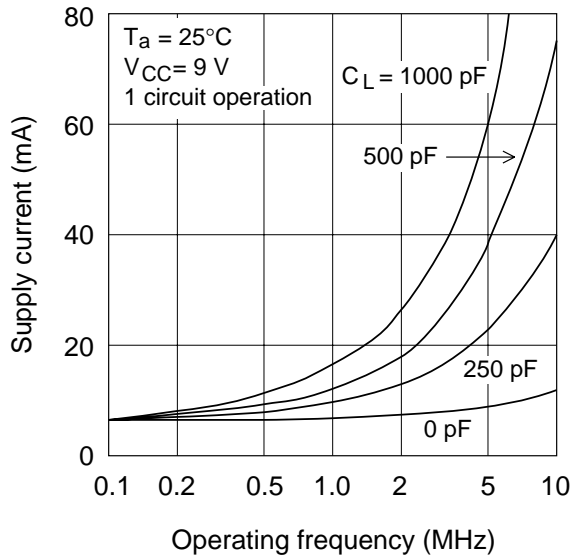


HD29028

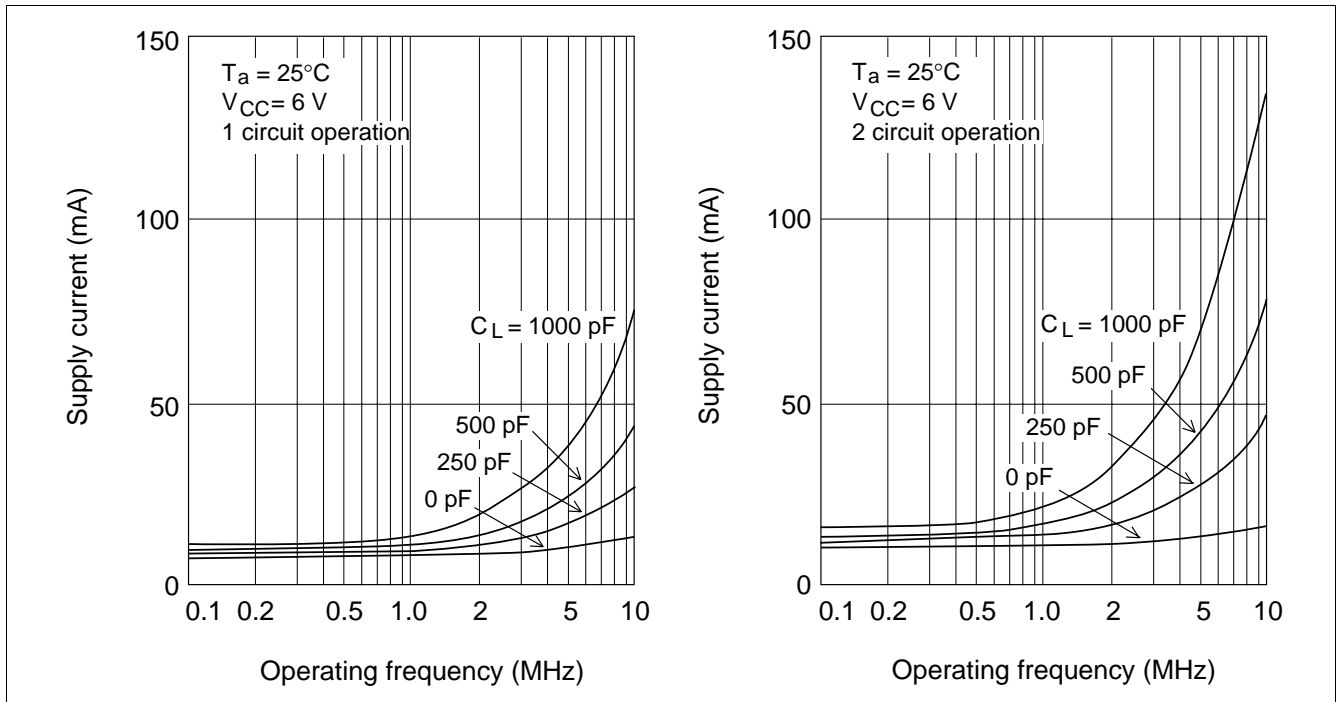


Typical Characteristic Curves

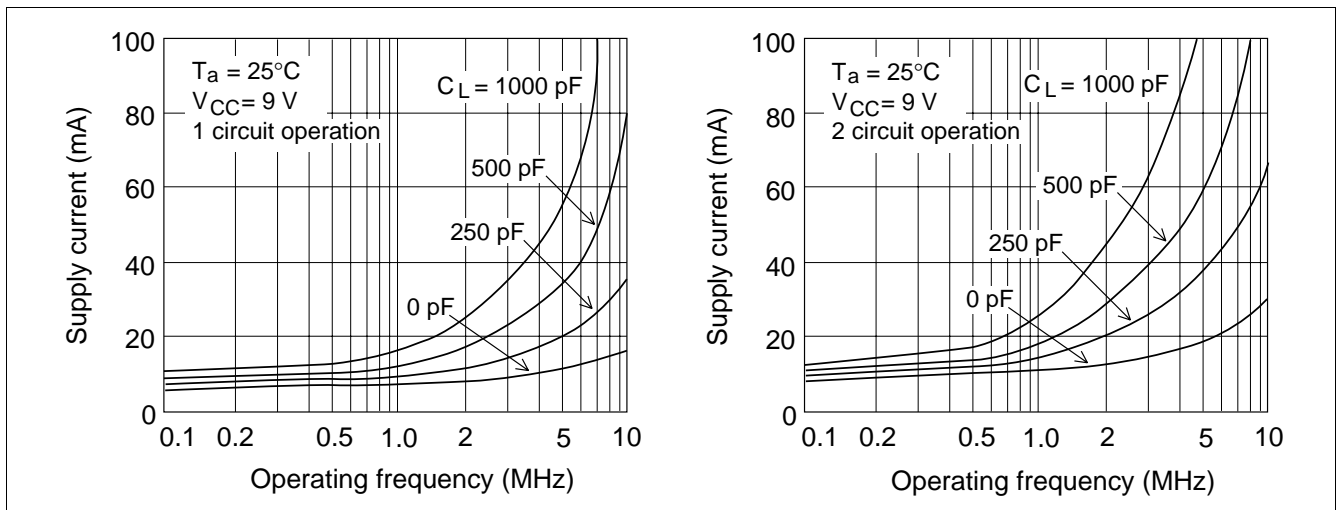
Supply current vs. operating frequency (HD29026A)

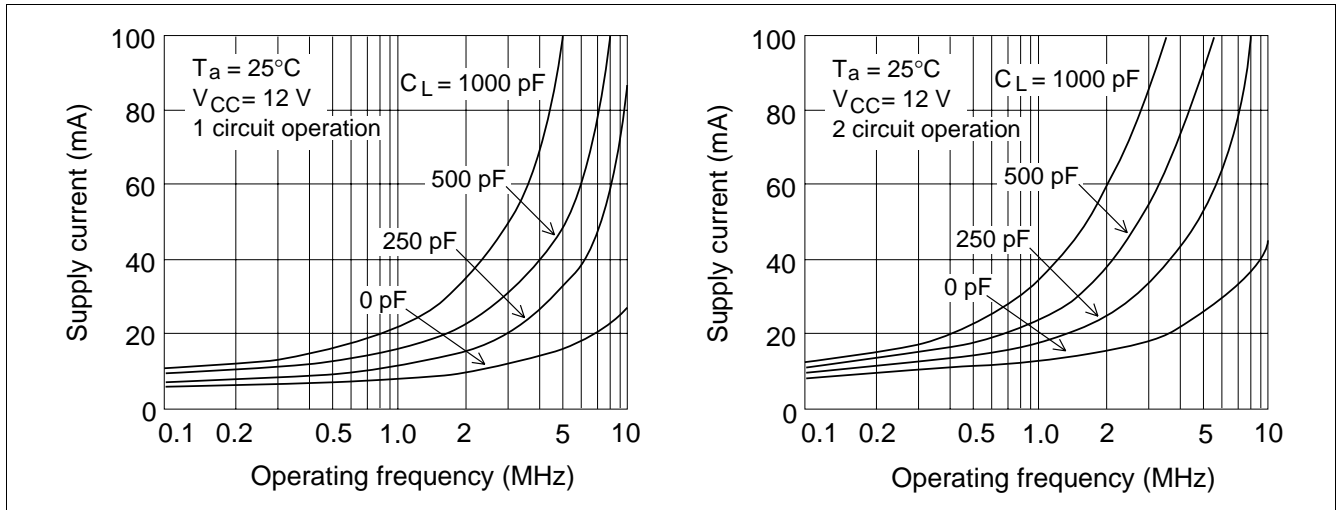


Supply current vs. operating frequency (HD29027)



Supply current vs. operating frequency (HD29028)





Cautions (HD29026A only)

The short output rise and fall time, as well as the large output amplitude of this product tends to generate overshooting and undershooting. The connection of 5 to 15 Ω damping resistance (R_D) to the output as illustrated in figure 2 serves to

increase the output rise and fall time, making it possible to reduce the chance of overshooting and undershooting. Figure 3 shows the characteristics that result for a damping resistance (R_D) of 10 Ω .

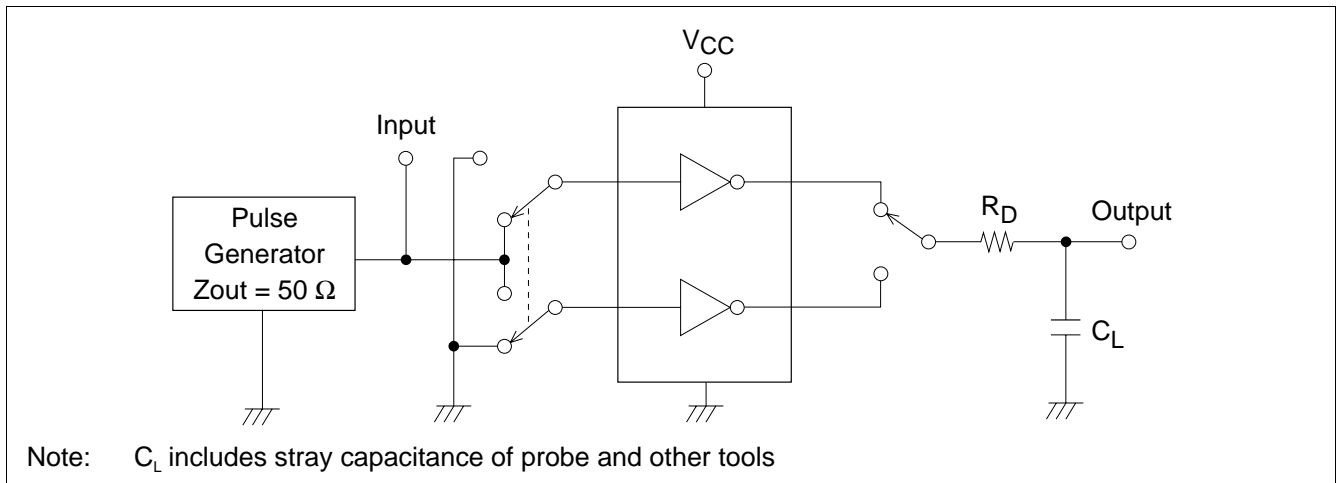
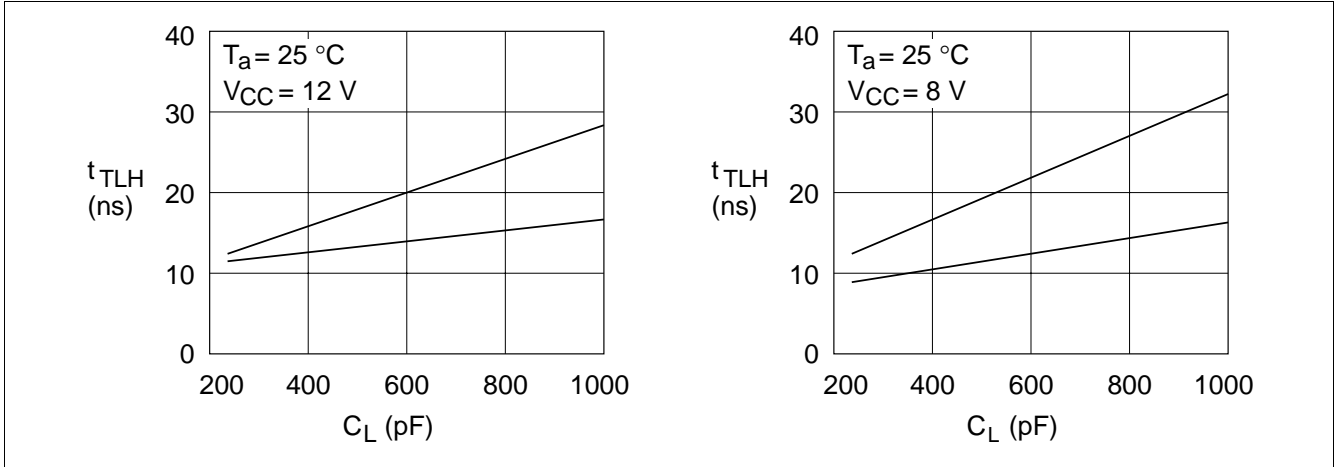


Figure 2

t_{TLH} vs C_L



t_{THL} vs C_L

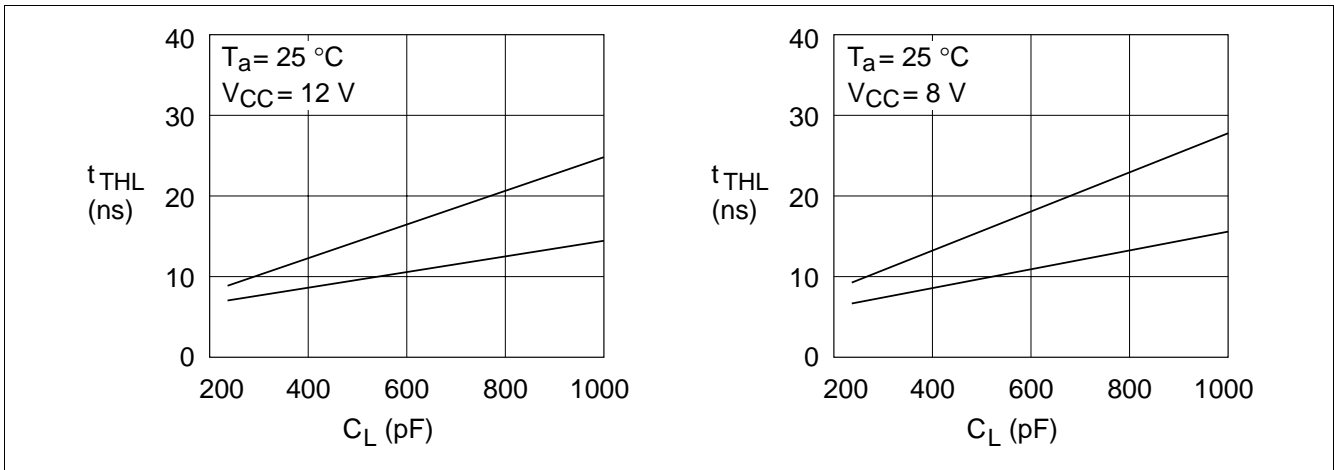
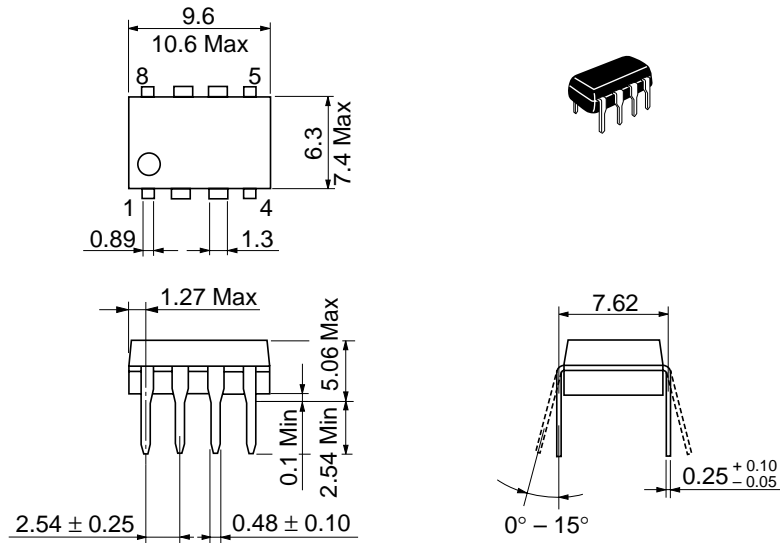


Figure 3

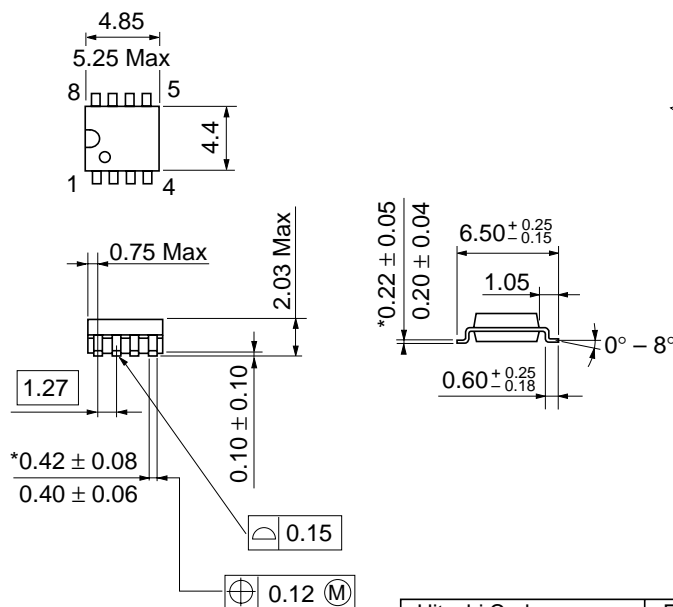
Package Dimensions

Unit: mm



Hitachi Code	DP-8
JEDEC	Conforms
EIAJ	Conforms
Mass (reference value)	0.54 g

Unit: mm



*Dimension including the plating thickness
Base material dimension

Hitachi Code	FP-8D
JEDEC	—
EIAJ	Conforms
Mass (reference value)	0.10 g

Cautions

1. Hitachi neither warrants nor grants licenses of any rights of Hitachi's or any third party's patent, copyright, trademark, or other intellectual property rights for information contained in this document. Hitachi bears no responsibility for problems that may arise with third party's rights, including intellectual property rights, in connection with use of the information contained in this document.
2. Products and product specifications may be subject to change without notice. Confirm that you have received the latest product standards or specifications before final design, purchase or use.
3. Hitachi makes every attempt to ensure that its products are of high quality and reliability. However, contact Hitachi's sales office before using the product in an application that demands especially high quality and reliability or where its failure or malfunction may directly threaten human life or cause risk of bodily injury, such as aerospace, aeronautics, nuclear power, combustion control, transportation, traffic, safety equipment or medical equipment for life support.
4. Design your application so that the product is used within the ranges guaranteed by Hitachi particularly for maximum rating, operating supply voltage range, heat radiation characteristics, installation conditions and other characteristics. Hitachi bears no responsibility for failure or damage when used beyond the guaranteed ranges. Even within the guaranteed ranges, consider normally foreseeable failure rates or failure modes in semiconductor devices and employ systemic measures such as fail-safes, so that the equipment incorporating Hitachi product does not cause bodily injury, fire or other consequential damage due to operation of the Hitachi product.
5. This product is not designed to be radiation resistant.
6. No one is permitted to reproduce or duplicate, in any form, the whole or part of this document without written approval from Hitachi.
7. Contact Hitachi's sales office for any questions regarding this document or Hitachi semiconductor products.

HITACHI**Hitachi, Ltd.**

Semiconductor & Integrated Circuits.
Nippon Bldg., 2-6-2, Ohte-machi, Chiyoda-ku, Tokyo 100-0004, Japan
Tel: Tokyo (03) 3270-2111 Fax: (03) 3270-5109

URL NorthAmerica : <http://semiconductor.hitachi.com/>
 Europe : <http://www.hitachi-eu.com/hel/ecg>
 Asia : <http://sicapac.hitachi-asia.com>
 Japan : <http://www.hitachi.co.jp/Sicd/indx.htm>

For further information write to:

Hitachi Semiconductor
(America) Inc.
179 East Tasman Drive,
San Jose, CA 95134
Tel: <1> (408) 433-1990
Fax: <1>(408) 433-0223

Hitachi Europe GmbH
Electronic Components Group
Dornacher Straße 3
D-85622 Feldkirchen, Munich
Germany
Tel: <49> (89) 9 9180-0
Fax: <49> (89) 9 29 30 00

Hitachi Europe Ltd.
Electronic Components Group.
Whitebrook Park
Lower Cookham Road
Maidenhead
Berkshire SL6 8YA, United Kingdom
Tel: <44> (1628) 585000
Fax: <44> (1628) 585160

Hitachi Asia Ltd.
Hitachi Tower
16 Collyer Quay #20-00,
Singapore 049318
Tel : <65>-538-6533/538-8577
Fax : <65>-538-6933/538-3877
URL : <http://www.hitachi.com.sg>

Hitachi Asia Ltd.
(Taipei Branch Office)
4/F, No. 167, Tun Hwa North Road,
Hung-Kuo Building,
Taipei (105), Taiwan
Tel : <886>-(2)-2718-3666
Fax : <886>-(2)-2718-8180
Telex : 23222 HAS-TP
URL : <http://www.hitachi.com.tw>

Hitachi Asia (Hong Kong) Ltd.
Group III (Electronic Components)
7/F., North Tower,
World Finance Centre,
Harbour City, Canton Road
Tsim Sha Tsui, Kowloon,
Hong Kong
Tel : <852>-(2)-735-9218
Fax : <852>-(2)-730-0281
URL : <http://www.hitachi.com.hk>

Copyright © Hitachi, Ltd., 2000. All rights reserved. Printed in Japan.
Colophon 2.0

HITACHI