



## PALCE16V8 and PALCE16V8Z Families EE CMOS (Zero-Power) 20-Pin Universal Programmable Array Logic

---

### DISTINCTIVE CHARACTERISTICS

- ◆ Pin and function compatible with all 20-pin PAL<sup>®</sup> devices
- ◆ Electrically erasable CMOS technology provides reconfigurable logic and full testability
- ◆ High-speed CMOS technology
  - 5-ns propagation delay for "-5" version
  - 7.5-ns propagation delay for "-7" version
- ◆ Direct plug-in replacement for the PAL16R8 series
- ◆ Outputs programmable as registered or combinatorial in any combination
- ◆ Peripheral Component Interconnect (PCI) compliant
- ◆ Programmable output polarity
- ◆ Programmable enable/disable control
- ◆ Preloadable output registers for testability
- ◆ Automatic register reset on power up
- ◆ Cost-effective 20-pin plastic DIP, PLCC, and SOIC packages
- ◆ Extensive third-party software and programmer support
- ◆ Fully tested for 100% programming and functional yields and high reliability
- ◆ 5-ns version utilizes a split leadframe for improved performance

---

### GENERAL DESCRIPTION

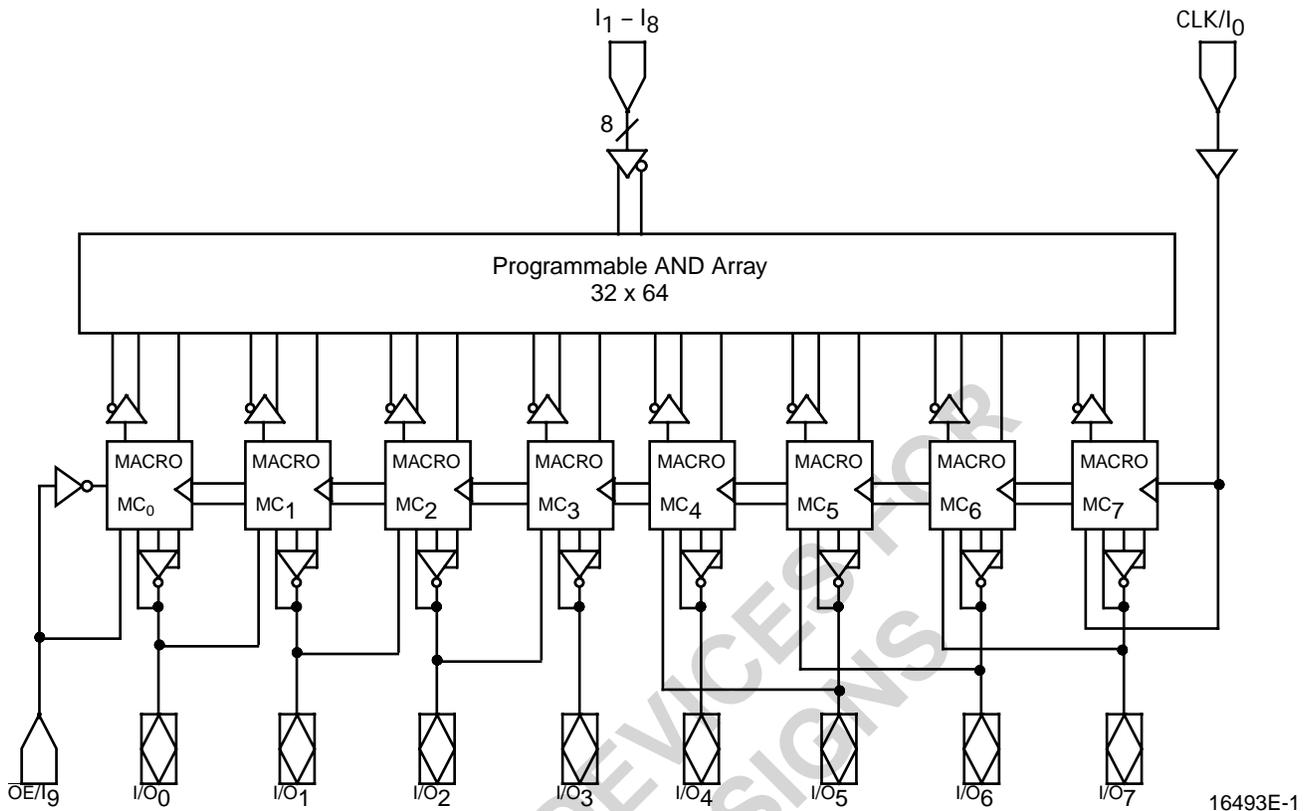
The PALCE16V8 is an advanced PAL device built with low-power, high-speed, electrically-erasable CMOS technology. It is functionally compatible with all 20-pin GAL devices. The macrocells provide a universal device architecture. The PALCE16V8 will directly replace the PAL16R8, with the exception of the PAL16C1.

The PALCE16V8Z provides zero standby power and high speed. At 30- $\mu$ A maximum standby current, the PALCE16V8Z allows battery-powered operation for an extended period.

The PALCE16V8 utilizes the familiar sum-of-products (AND/OR) architecture that allows users to implement complex logic functions easily and efficiently. Multiple levels of combinatorial logic can always be reduced to sum-of-products form, taking advantage of the very wide input gates available in PAL devices. The equations are programmed into the device through floating-gate cells in the AND logic array that can be erased electrically.

The fixed OR array allows up to eight data product terms per output for logic functions. The sum of these products feeds the output macrocell. Each macrocell can be programmed as registered or combinatorial with an active-high or active-low output. The output configuration is determined by two global bits and one local bit controlling four multiplexers in each macrocell.

## BLOCK DIAGRAM



## FUNCTIONAL DESCRIPTION

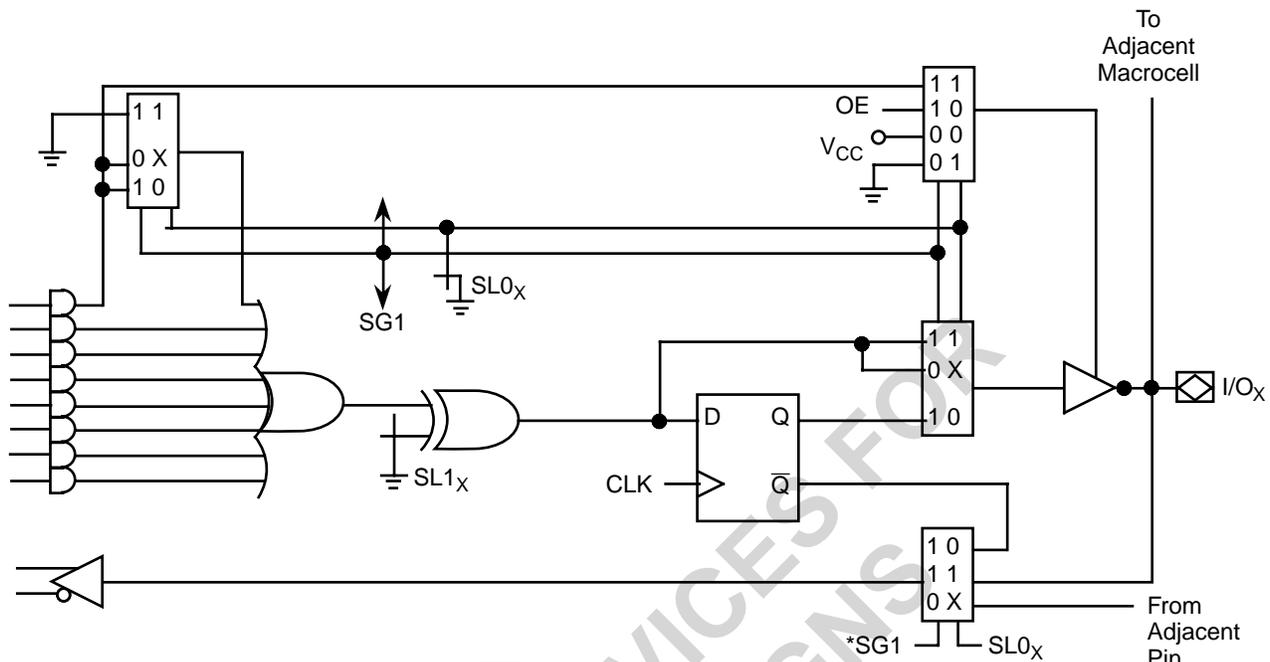
The PALCE16V8 is a universal PAL device. The PALCE16V8Z is the zero-power version of the PALCE16V8. It has all the architectural features of the PALCE16V8. In addition, the PALCE16V8Z has zero standby power and an unused product term disable feature for reduced power consumption. It has eight independently configurable macrocells (MC<sub>0</sub>-MC<sub>7</sub>). Each macrocell can be configured as registered output, combinatorial output, combinatorial I/O or dedicated input. The programming matrix implements a programmable AND logic array, which drives a fixed OR logic array. Buffers for device inputs have complementary outputs to provide user-programmable input signal polarity. Pins 1 and 11 serve either as array inputs or as clock (CLK) and output enable ( $\overline{OE}$ ), respectively, for all flip-flops.

Unused input pins should be tied directly to  $V_{CC}$  or GND. Product terms with all bits unprogrammed (disconnected) assume the logical HIGH state, and product terms with both true and complement of any input signal connected assume a logical LOW state.

The programmable functions on the PALCE16V8 are automatically configured from the user's design specification. The design specification is processed by development software to verify the design and create a programming file (JEDEC). This file, once downloaded to a programmer, configures the device according to the user's desired function.

The user is given two design options with the PALCE16V8. First, it can be programmed as a standard PAL device from the PAL16R8 series. The PAL programmer manufacturer will supply device codes for the standard PAL device architectures to be used with the PALCE16V8. The programmer will program the PALCE16V8 in the corresponding architecture. This allows the user to use existing standard PAL device JEDEC files without making any changes to them.

Alternatively, the device can be programmed as a PALCE16V8. Here the user must use the PALCE16V8 device code. This option allows full utilization of the macrocell.



*\*In macrocells MC<sub>0</sub> and MC<sub>7</sub>, SG1 is replaced by  $\overline{SG0}$  on the feedback multiplexer.*

Figure 1. PALCE16V8 Macrocell

16493E-2

## CONFIGURATION OPTIONS

Each macrocell can be configured as one of the following: registered output, combinatorial output, combinatorial I/O, or dedicated input. In the registered output configuration, the output buffer is enabled by the  $\overline{OE}$  pin. In the combinatorial configuration, the buffer is either controlled by a product term or always enabled. In the dedicated input configuration, it is always disabled. With the exception of MC<sub>0</sub> and MC<sub>7</sub>, a macrocell configured as a dedicated input derives the input signal from an adjacent I/O. MC<sub>0</sub> derives its input from pin 11 ( $\overline{OE}$ ) and MC<sub>7</sub> from pin 1 (CLK).

The macrocell configurations are controlled by the configuration control word. It contains 2 global bits (SG0 and SG1) and 16 local bits (SL0<sub>0</sub> through SL0<sub>7</sub> and SL1<sub>0</sub> through SL1<sub>7</sub>). SG0 determines whether registers will be allowed. SG1 determines whether the PALCE16V8 will emulate a PAL16R8 family or a PAL10H8 family device. Within each macrocell, SL0<sub>x</sub>, in conjunction with SG1, selects the configuration of the macrocell, and SL1<sub>x</sub> sets the output as either active low or active high for the individual macrocell.

The configuration bits work by acting as control inputs for the multiplexers in the macrocell. There are four multiplexers: a product term input, an enable select, an output select, and a feedback select multiplexer. SG1 and SL0<sub>x</sub> are the control signals for all four multiplexers. In MC<sub>0</sub> and MC<sub>7</sub>,  $\overline{SG0}$  replaces SG1 on the feedback multiplexer. This accommodates CLK being the adjacent pin for MC<sub>7</sub> and  $\overline{OE}$  the adjacent pin for MC<sub>0</sub>.

## Registered Output Configuration

The control bit settings are  $SG0 = 0$ ,  $SG1 = 1$  and  $SL0_x = 0$ . There is only one registered configuration. All eight product terms are available as inputs to the OR gate. Data polarity is determined by  $SL1_x$ . The flip-flop is loaded on the LOW-to-HIGH transition of CLK. The feedback path is from  $\overline{Q}$  on the register. The output buffer is enabled by  $\overline{OE}$ .

## Combinatorial Configurations

The PALCE16V8 has three combinatorial output configurations: dedicated output in a non-registered device, I/O in a non-registered device and I/O in a registered device.

### Dedicated Output in a Non-Registered Device

The control bit settings are  $SG0 = 1$ ,  $SG1 = 0$  and  $SL0_x = 0$ . All eight product terms are available to the OR gate. Although the macrocell is a dedicated output, the feedback is used, with the exception of pins 15 and 16. Pins 15 and 16 do not use feedback in this mode. Because CLK and  $\overline{OE}$  are not used in a non-registered device, pins 1 and 11 are available as input signals. Pin 1 will use the feedback path of  $MC_7$ , and pin 11 will use the feedback path of  $MC_0$ .

### Combinatorial I/O in a Non-Registered Device

The control bit settings are  $SG0 = 1$ ,  $SG1 = 1$ , and  $SL0_x = 1$ . Only seven product terms are available to the OR gate. The eighth product term is used to enable the output buffer. The signal at the I/O pin is fed back to the AND array via the feedback multiplexer. This allows the pin to be used as an input.

Because CLK and  $\overline{OE}$  are not used in a non-registered device, pins 1 and 11 are available as inputs. Pin 1 will use the feedback path of  $MC_7$ , and pin 11 will use the feedback path of  $MC_0$ .

### Combinatorial I/O in a Registered Device

The control bit settings are  $SG0 = 0$ ,  $SG1 = 1$  and  $SL0_x = 1$ . Only seven product terms are available to the OR gate. The eighth product term is used as the output enable. The feedback signal is the corresponding I/O signal.

## Dedicated Input Configuration

The control bit settings are  $SG0 = 1$ ,  $SG1 = 0$  and  $SL0_x = 1$ . The output buffer is disabled. Except for  $MC_0$  and  $MC_7$ , the feedback signal is an adjacent I/O. For  $MC_0$  and  $MC_7$ , the feedback signals are pins 1 and 11. These configurations are summarized in Table 1 and illustrated in Figure 2.

Table 1. Macrocell Configuration

SG0	SG1	SL0 <sub>x</sub>	Cell Configuration	Devices Emulated	SG0	SG1	SL0 <sub>x</sub>	Cell Configuration	Devices Emulated
Device Uses Registers					Device Uses No Registers				
0	1	0	Registered Output	PAL16R8, 16R6, 16R4	1	0	0	Combinatorial Output	PAL10H8, 12H6, 14H4, 16H2, 10L8, 12L6, 14L4, 16L2
0	1	1	Combinatorial I/O	PAL16R6, 16R4	1	0	1	Input	PAL12H6, 14H4, 16H2, 12L6, 14L4, 16L2
					1	1	1	Combinatorial I/O	PAL16L8

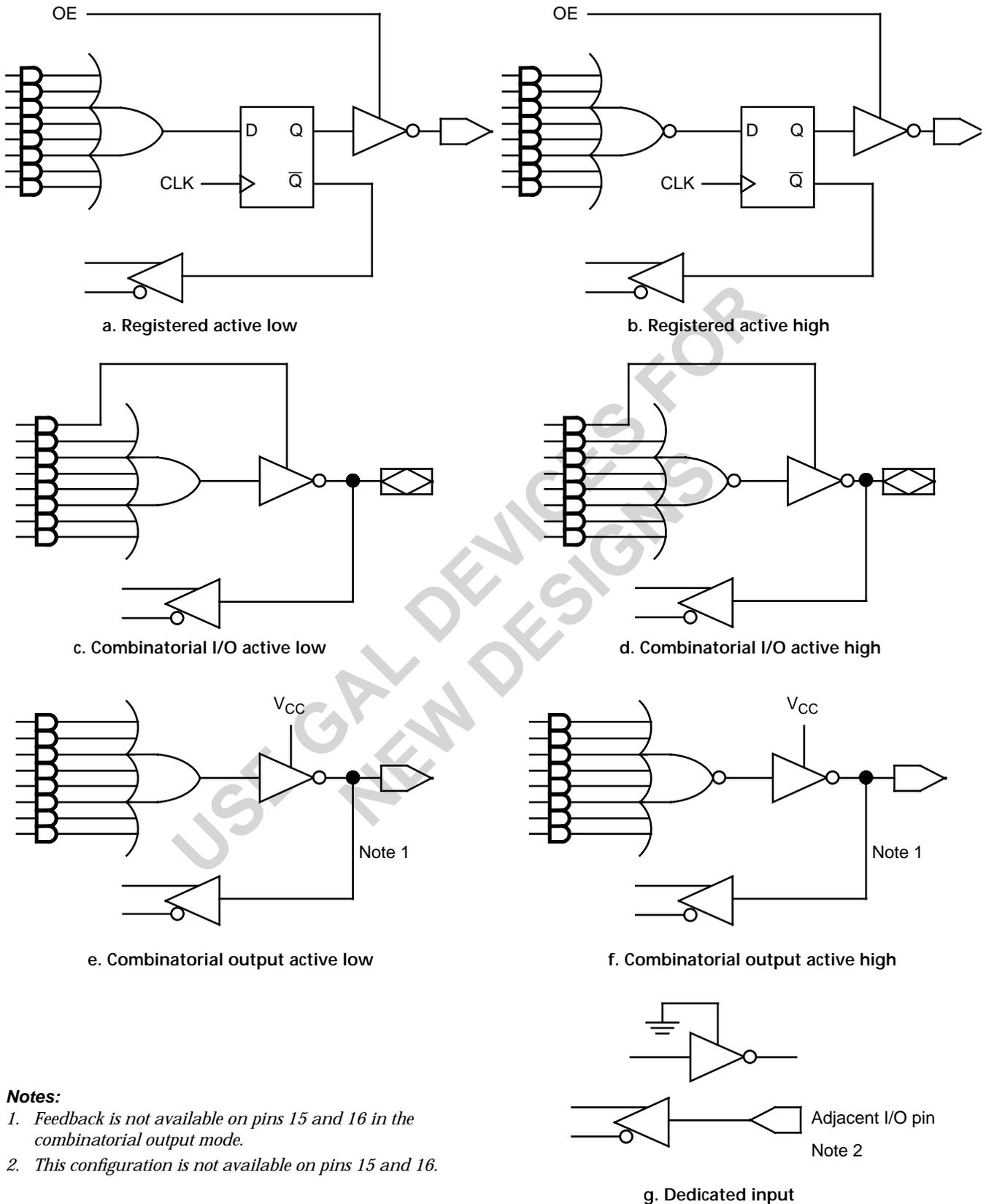
---

## Programmable Output Polarity

The polarity of each macrocell can be active-high or active-low, either to match output signal needs or to reduce product terms. Programmable polarity allows Boolean expressions to be written in their most compact form (true or inverted), and the output can still be of the desired polarity. It can also save “DeMorganizing” efforts.

Selection is through a programmable bit  $SL1_x$  which controls an exclusive-OR gate at the output of the AND/OR logic. The output is active high if  $SL1_x$  is 1 and active low if  $SL1_x$  is 0.

USE GAL DEVICES FOR  
NEW DESIGNS



**Notes:**

1. Feedback is not available on pins 15 and 16 in the combinatorial output mode.
2. This configuration is not available on pins 15 and 16.

Figure 2. Macrocell Configurations

16493E-2

## Power-Up Reset

All flip-flops power up to a logic LOW for predictable system initialization. Outputs of the PALCE16V8 will depend on whether they are selected as registered or combinatorial. If registered is selected, the output will be HIGH. If combinatorial is selected, the output will be a function of the logic.

## Register Preload

The register on the PALCE16V8 can be preloaded from the output pins to facilitate functional testing of complex state machine designs. This feature allows direct loading of arbitrary states, making it unnecessary to cycle through long test vector sequences to reach a desired state. In addition, transitions from illegal states can be verified by loading illegal states and observing proper recovery.

## Security Bit

A security bit is provided on the PALCE16V8 as a deterrent to unauthorized copying of the array configuration patterns. Once programmed, this bit defeats readback and verification of the programmed pattern by a device programmer, securing proprietary designs from competitors. The bit can only be erased in conjunction with the array during an erase cycle.

## Electronic Signature Word

An electronic signature word is provided in the PALCE16V8 device. It consists of 64 bits of programmable memory that can contain user-defined data. The signature data is always available to the user independent of the security bit.

## Programming and Erasing

The PALCE16V8 can be programmed on standard logic programmers. It also may be erased to reset a previously configured device back to its unprogrammed state. Erasure is automatically performed by the programming hardware. No special erase operation is required.

## Quality and Testability

The PALCE16V8 offers a very high level of built-in quality. The erasability of the device provides a direct means of verifying performance of all AC and DC parameters. In addition, this verifies complete programmability and functionality of the device to provide the highest programming yields and post-programming functional yields in the industry.

## Technology

The high-speed PALCE16V8 is fabricated with Vantis' advanced electrically-erasable (EE) CMOS process. The array connections are formed with proven EE cells. Inputs and outputs are designed to be compatible with TTL devices. This technology provides strong input clamp diodes, output slew-rate control, and a grounded substrate for clean switching.

## PCI Compliance

PALCE16V8 devices in the -5/-7/-10 speed grades are fully compliant with the *PCI Local Bus Specification* published by the PCI Special Interest Group. The PALCE16V8's predictable timing ensures compliance with the PCI AC specifications independent of the design.

## Zero-Standby Power Mode

The PALCE16V8Z features a zero-standby power mode. When none of the inputs switch for an extended period (typically 50 ns), the PALCE16V8Z will go into standby mode, shutting down

most of its internal circuitry. The current will go to almost zero ( $I_{CC} < 15 \mu\text{A}$ ). The outputs will maintain the states held before the device went into the standby mode. There is no speed penalty associated with coming out of standby mode.

When any input switches, the internal circuitry is fully enabled, and power consumption returns to normal. This feature results in considerable power savings for operation at low to medium frequencies. This saving is illustrated in the  $I_{CC}$  vs. frequency graph.

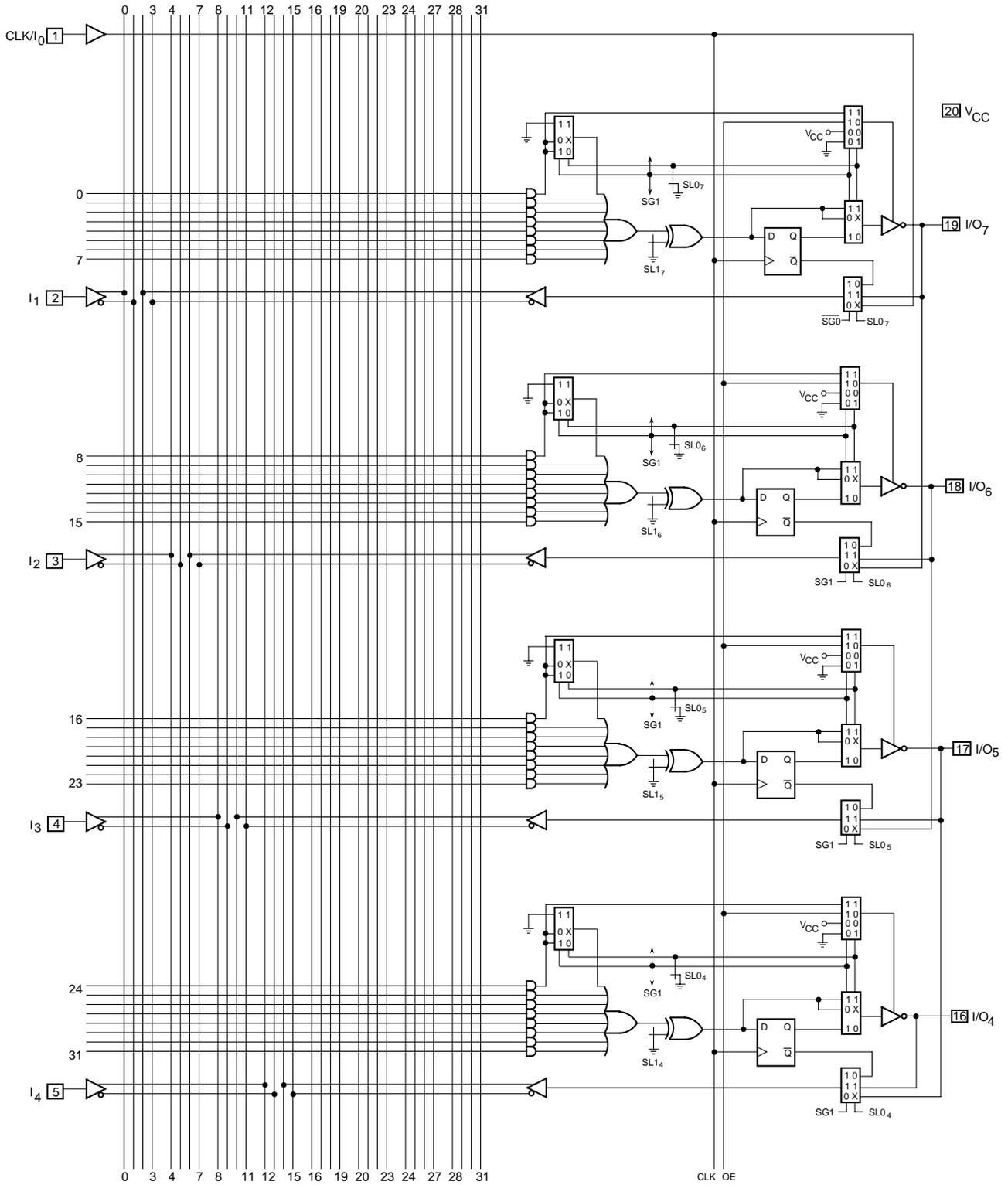
### **Product-Term Disable**

On a programmed PALCE16V8Z, any product terms that are not used are disabled. Power is cut off from the product terms so that they do not draw current. As shown in the  $I_{CC}$  vs. frequency graph, product-term disabling results in considerable power savings. This saving is greater at the higher frequencies.

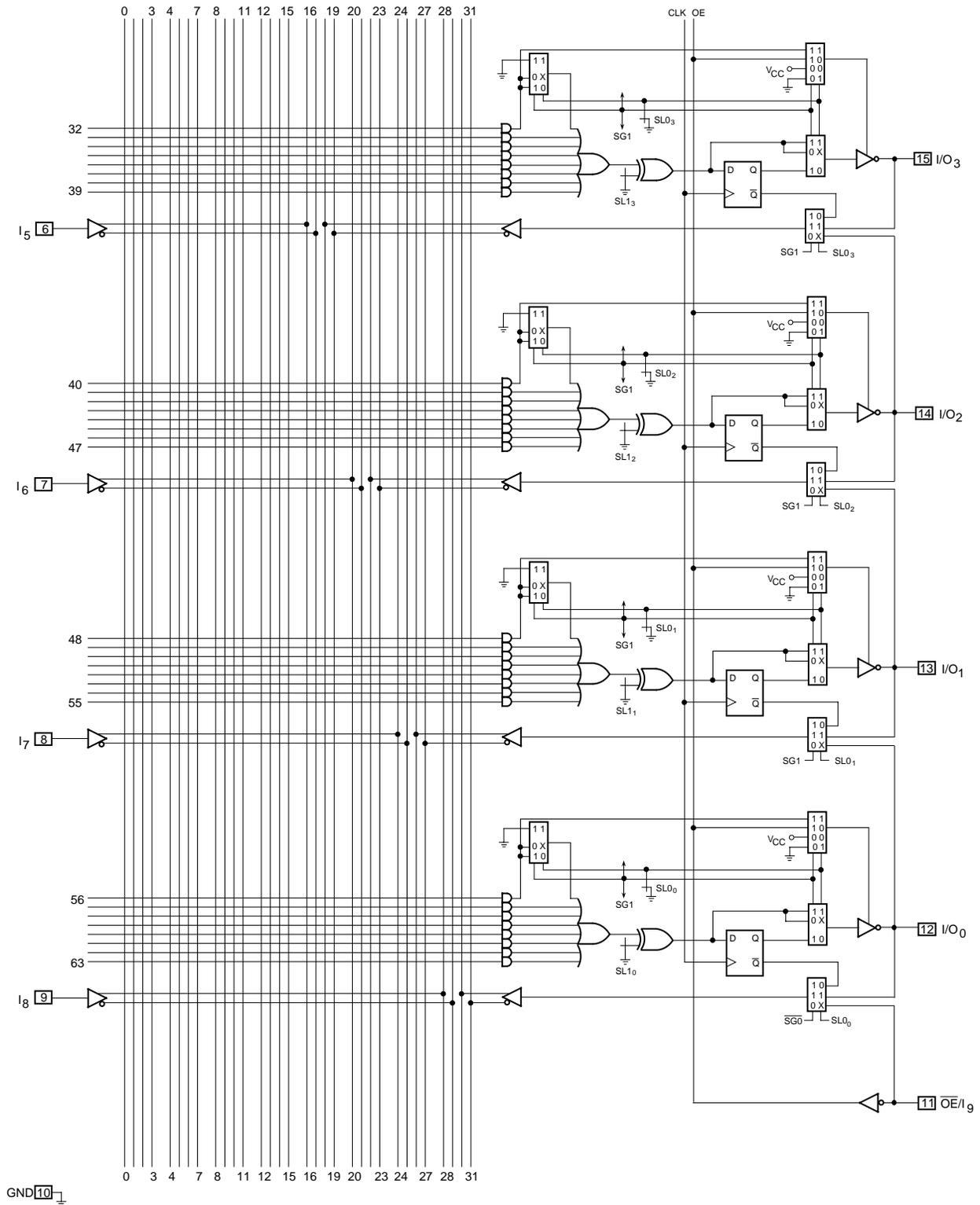
Further hints on minimizing power consumption can be found in a separate document entitled, *Minimizing Power Consumption with Zero-Power PLDs*.

USE GAL DEVICES FOR  
NEW DESIGNS

# LOGIC DIAGRAM



## LOGIC DIAGRAM (CONTINUED)



16493E-6  
(concluded)

## ABSOLUTE MAXIMUM RATINGS

Storage Temperature . . . . . -65°C to +150°C  
 Ambient Temperature  
 with Power Applied . . . . . -55°C to +125°C  
 Supply Voltage  
 with Respect to Ground . . . . . -0.5 V to +7.0 V  
 DC Input Voltage . . . . . -0.5 V to  $V_{CC} + 0.5$  V  
 DC Output or I/O  
 Pin Voltage . . . . . -0.5 V to  $V_{CC} + 0.5$  V  
 Static Discharge Voltage . . . . . 2001 V  
 Latchup Current ( $T_A = 0^\circ\text{C}$  to  $75^\circ\text{C}$ ) . . . . . 100 mA

*Stresses above those listed under Absolute Maximum Ratings may cause permanent device failure. Functionality at or above these limits is not implied. Exposure to Absolute Maximum Ratings for extended periods may affect device reliability. Programming conditions may differ.*

## OPERATING RANGES

### Commercial (C) Devices

Ambient Temperature ( $T_A$ )  
 Operating in Free Air . . . . .  $0^\circ\text{C}$  to  $+75^\circ\text{C}$   
 Supply Voltage ( $V_{CC}$ )  
 with Respect to Ground . . . . . +4.75 V to +5.25 V  
*Operating ranges define those limits between which the functionality of the device is guaranteed.*

## DC CHARACTERISTICS OVER COMMERCIAL OPERATING RANGES

Parameter Symbol	Parameter Description	Test Description	Min	Max	Unit
$V_{OH}$	Output HIGH Voltage	$I_{OH} = -3.2$ mA, $V_{IN} = V_{IH}$ or $V_{IL}$ , $V_{CC} = \text{Min}$	2.4		V
$V_{OL}$	Output LOW Voltage	$I_{OL} = 24$ mA, $V_{IN} = V_{IH}$ or $V_{IL}$ , $V_{CC} = \text{Min}$		0.5	V
$V_{IH}$	Input HIGH Voltage	Guaranteed Input Logical HIGH Voltage for all Inputs (Note 1)	2.0		V
$V_{IL}$	Input LOW Voltage	Guaranteed Input Logical LOW Voltage for all Inputs (Note 1)		0.8	V
$I_{IH}$	Input HIGH Leakage Current	$V_{IN} = 5.25$ V, $V_{CC} = \text{Max}$ (Note 2)		10	$\mu\text{A}$
$I_{IL}$	Input LOW Leakage Current	$V_{IN} = 0$ V, $V_{CC} = \text{Max}$ (Note 2)		-100	$\mu\text{A}$
$I_{OZH}$	Off-State Output Leakage Current HIGH	$V_{OUT} = 5.25$ V, $V_{CC} = \text{Max}$ $V_{IN} = V_{IH}$ or $V_{IL}$ (Note 2)		10	$\mu\text{A}$
$I_{OZL}$	Off-State Output Leakage Current LOW	$V_{OUT} = 0$ V, $V_{CC} = \text{Max}$ $V_{IN} = V_{IH}$ or $V_{IL}$ (Note 2)		-100	$\mu\text{A}$
$I_{SC}$	Output Short-Circuit Current	$V_{OUT} = 0.5$ V, $V_{CC} = \text{Max}$ (Note 3)	-30	-150	mA
$I_{CC}$ (Static)	Supply Current for -5	Outputs Open ( $I_{OUT} = 0$ mA), $V_{IN} = 0$ V $V_{CC} = \text{Max}$		125	mA
$I_{CC}$ (Dynamic)	Supply Current for -7	Outputs Open ( $I_{OUT} = 0$ mA), $V_{CC} = \text{Max}$ , $f = 25$ MHz		115	mA

### Notes:

1. These are absolute values with respect to device ground, and all overshoots due to system or tester noise are included.
2. I/O pin leakage is the worst case of  $I_{IL}$  and  $I_{OZL}$  (or  $I_{IH}$  and  $I_{OZH}$ ).
3. Not more than one output should be shorted at a time, and the duration of the short-circuit should not exceed one second.  $V_{OUT} = 0.5$  V has been chosen to avoid test problems caused by tester ground degradation.

## CAPACITANCE<sup>1</sup>

Parameter Symbol	Parameter Description	Test Conditions		Typ	Unit
$C_{IN}$	Input Capacitance	$V_{IN} = 2.0\text{ V}$	$V_{CC} = 5.0\text{ V}, T_A = 25\text{ }^\circ\text{C}$ ,	5	pF
$C_{OUT}$	Output Capacitance	$V_{OUT} = 2.0\text{ V}$	$f = 1\text{ MHz}$	8	pF

**Note:**

1. These parameters are not 100% tested, but are evaluated at initial characterization and at any time the design is modified where capacitance may be affected.

## SWITCHING CHARACTERISTICS OVER COMMERCIAL OPERATING RANGES<sup>1</sup>

Parameter Symbol	Parameter Description		-5		-7		Unit
			Min <sup>2</sup>	Max	Min <sup>2</sup>	Max	
$t_{PD}$	Input or Feedback to Combinatorial Output		1	5	3	7.5	ns
$t_S$	Setup Time from Input or Feedback to Clock		3		5		ns
$t_H$	Hold Time		0		0		ns
$t_{CO}$	Clock to Output		1	4	1	5	ns
$t_{SKEWR}$	Skew Between Registered Outputs (Note 3)			1		1	ns
$t_{WL}$	Clock Width	LOW	3		4		ns
$t_{WH}$		HIGH	3		4		ns
$f_{MAX}$	Maximum Frequency (Note 4)	External Feedback	$1/(t_S+t_{CO})$	142.8		100	MHz
		Internal Feedback ( $f_{CNT}$ )	$1/(t_S+t_{CF})$ (Note 5)	166		125	MHz
		No Feedback	$1/(t_{WH}+t_{WL})$	166		125	MHz
$t_{PZX}$	$\overline{OE}$ to Output Enable		1	6	1	6	ns
$t_{PXZ}$	$\overline{OE}$ to Output Disable		1	5	1	6	ns
$t_{EA}$	Input to Output Enable Using Product Term Control		2	6	3	9	ns
$t_{ER}$	Input to Output Disable Using Product Term Control		2	5	3	9	ns

**Notes:**

1. See "Switching Test Circuit" for test conditions.
2. Output delay minimums for  $t_{PD}$ ,  $t_{CO}$ ,  $t_{PZX}$ ,  $t_{PXZ}$ ,  $t_{EA}$ , and  $t_{ER}$  are defined under best case conditions. Future process improvements may alter these values; therefore, minimum values are recommended for simulation purposes only.
3. Skew testing takes into account pattern and switching direction differences between outputs that have equal loading.
4. These parameters are not 100% tested, but are calculated at initial characterization and at any time the design is modified where frequency may be affected.
5.  $t_{CF}$  is a calculated value and is not guaranteed.  $t_{CF}$  can be found using the following equation:  
 $t_{CF} = 1/f_{MAX}$  (internal feedback) -  $t_S$ .

## ABSOLUTE MAXIMUM RATINGS

Storage Temperature . . . . . -65°C to +150°C  
 Ambient Temperature  
 with Power Applied . . . . . -55°C to +125°C  
 Supply Voltage  
 with Respect to Ground . . . . . -0.5 V to + 7.0 V  
 DC Input Voltage . . . . . -0.5 V to  $V_{CC} + 0.5$  V  
 DC Output or I/O  
 Pin Voltage . . . . . -0.5 V to  $V_{CC} + 0.5$  V  
 Static Discharge Voltage . . . . . 2001 V  
 Latchup Current ( $T_A = -40^\circ\text{C}$  to  $+85^\circ\text{C}$ ) . . . . . 100 mA

*Stresses above those listed under Absolute Maximum Ratings may cause permanent device failure. Functionality at or above these limits is not implied. Exposure to Absolute Maximum Ratings for extended periods may affect device reliability. Programming conditions may differ.*

## OPERATING RANGES

### Commercial (C) Devices

Ambient Temperature ( $T_A$ )  
 Operating in Free Air . . . . . 0°C to +75°C  
 Supply Voltage ( $V_{CC}$ )  
 with Respect to Ground . . . . . +4.75 V to +5.25 V

### Industrial (I) Devices

Temperature ( $T_A$ ) Operating  
 in Free Air . . . . . -40°C to +85°C  
 Supply Voltage ( $V_{CC}$ )  
 with Respect to Ground . . . . . +4.5 V to +5.5 V

*Operating ranges define those limits between which the functionality of the device is guaranteed.*

## DC CHARACTERISTICS OVER COMMERCIAL AND INDUSTRIAL OPERATING RANGES

Parameter Symbol	Parameter Description	Test Description	Min	Max	Unit
$V_{OH}$	Output HIGH Voltage	$I_{OH} = -3.2$ mA, $V_{IN} = V_{IH}$ or $V_{IL}$ , $V_{CC} = \text{Min}$	2.4		V
$V_{OL}$	Output LOW Voltage	$I_{OL} = 24$ mA, $V_{IN} = V_{IH}$ or $V_{IL}$ , $V_{CC} = \text{Min}$		0.5	V
$V_{IH}$	Input HIGH Voltage	Guaranteed Input Logical HIGH Voltage for all Inputs (Note 1)	2.0		V
$V_{IL}$	Input LOW Voltage	Guaranteed Input Logical LOW Voltage for all Inputs (Note 1)		0.8	V
$I_{IH}$	Input HIGH Leakage Current	$V_{IN} = 5.25$ V, $V_{CC} = \text{Max}$ (Note 2)		10	$\mu\text{A}$
$I_{IL}$	Input LOW Leakage Current	$V_{IN} = 0$ V, $V_{CC} = \text{Max}$ (Note 2)		-100	$\mu\text{A}$
$I_{OZH}$	Off-State Output Leakage Current HIGH	$V_{OUT} = 5.25$ V, $V_{CC} = \text{Max}$ $V_{IN} = V_{IH}$ or $V_{IL}$ (Note 2)		10	$\mu\text{A}$
$I_{OZL}$	Off-State Output Leakage Current LOW	$V_{OUT} = 0$ V, $V_{CC} = \text{Max}$ $V_{IN} = V_{IH}$ or $V_{IL}$ (Note 2)		-100	$\mu\text{A}$
$I_{SC}$	Output Short-Circuit Current	$V_{OUT} = 0.5$ V, $V_{CC} = \text{Max}$ (Note 3)	-30	-150	mA
$I_{CC}$ (Dynamic)	Commercial Supply Current	Outputs Open ( $I_{OUT} = 0$ mA) $V_{CC} = \text{Max}$ , $f = 15$ MHz		115	mA
	Industrial Supply Current			130	mA

### Notes:

1. These are absolute values with respect to device ground, and all overshoots due to system or tester noise are included.
2. I/O pin leakage is the worst case of  $I_{IL}$  and  $I_{OZL}$  (or  $I_{IH}$  and  $I_{OZH}$ ).
3. Not more than one output should be shorted at a time, and the duration of the short-circuit should not exceed one second.  $V_{OUT} = 0.5$  V has been chosen to avoid test problems caused by tester ground degradation.

## CAPACITANCE<sup>1</sup>

Parameter Symbol	Parameter Description	Test Conditions		Typ	Unit
C <sub>IN</sub>	Input Capacitance	V <sub>IN</sub> = 2.0 V	V <sub>CC</sub> = 5.0 V, T <sub>A</sub> = 25 °C,	5	pF
C <sub>OUT</sub>	Output Capacitance	V <sub>OUT</sub> = 2.0 V	f = 1 MHz	8	pF

**Note:**

1. These parameters are not 100% tested, but are evaluated at initial characterization and at any time the design is modified where capacitance may be affected.

## SWITCHING CHARACTERISTICS OVER COMMERCIAL AND INDUSTRIAL OPERATING RANGES<sup>1</sup>

Parameter Symbol	Parameter Description		-10		Unit
			Min <sup>2</sup>	Max	
t <sub>PD</sub>	Input or Feedback to Combinatorial Output		3	10	ns
t <sub>S</sub>	Setup Time from Input or Feedback to Clock		7.5		ns
t <sub>H</sub>	Hold Time		0		ns
t <sub>CO</sub>	Clock to Output		3	7.5	ns
t <sub>WL</sub>	Clock Width	LOW	6		ns
t <sub>WH</sub>		HIGH	6		ns
f <sub>MAX</sub>	Maximum Frequency (Note 3)	External Feedback	1/(t <sub>S</sub> +t <sub>CO</sub> )	66.7	MHz
		Internal Feedback (f <sub>INT</sub> )	1/(t <sub>S</sub> +t <sub>CF</sub> ) (Note 4)	71.4	MHz
		No Feedback	1/(t <sub>WH</sub> +t <sub>WL</sub> )	83.3	MHz
t <sub>PZX</sub>	$\overline{OE}$ to Output Enable		2	10	ns
t <sub>PXZ</sub>	$\overline{OE}$ to Output Disable		2	10	ns
t <sub>EA</sub>	Input to Output Enable Using Product Term Control		3	10	ns
t <sub>ER</sub>	Input to Output Disable Using Product Term Control		3	10	ns

**Notes:**

1. See "Switching Test Circuit" for test conditions.
2. Output delay minimums for t<sub>PD</sub>, t<sub>CO</sub>, t<sub>PZX</sub>, t<sub>PXZ</sub>, t<sub>EA</sub>, and t<sub>ER</sub> are defined under best case conditions. Future process improvements may alter these values; therefore, minimum values are recommended for simulation purposes only.
3. These parameters are not 100% tested, but are calculated at initial characterization and at any time the design is modified where frequency may be affected.
4. t<sub>CF</sub> is a calculated value and is not guaranteed. t<sub>CF</sub> can be found using the following equation:  

$$t_{CF} = 1/f_{MAX} \text{ (internal feedback)} - t_S$$

## ABSOLUTE MAXIMUM RATINGS

Storage Temperature . . . . .	-65°C to +150°C
Ambient Temperature with Power Applied . . . . .	-55°C to +125°C
Supply Voltage with Respect to Ground . . . . .	-0.5 V to +7.0 V
DC Input Voltage . . . . .	-0.5 V to $V_{CC} + 0.5$ V
DC Output or I/O Pin Voltage . . . . .	-0.5 V to $V_{CC} + 0.5$ V
Static Discharge Voltage . . . . .	2001 V
Latchup Current ( $T_A = 0^\circ\text{C}$ to $75^\circ\text{C}$ ) . . . . .	100 mA

Stresses above those listed under Absolute Maximum Ratings may cause permanent device failure. Functionality at or above these limits is not implied. Exposure to Absolute Maximum Ratings for extended periods may affect device reliability. Programming conditions may differ.

## OPERATING RANGES

### Commercial (C) Devices

Ambient Temperature ( $T_A$ ) Operating in Free Air . . . . .	$0^\circ\text{C}$ to $+75^\circ\text{C}$
Supply Voltage ( $V_{CC}$ ) with Respect to Ground . . . . .	+4.75 V to +5.25 V

Operating ranges define those limits between which the functionality of the device is guaranteed.

## DC CHARACTERISTICS OVER COMMERCIAL OPERATING RANGES

Parameter Symbol	Parameter Description	Test Description	Min	Max	Unit
$V_{OH}$	Output HIGH Voltage	$I_{OH} = -3.2$ mA, $V_{IN} = V_{IH}$ or $V_{IL}$ , $V_{CC} = \text{Min}$	2.4		V
$V_{OL}$	Output LOW Voltage	$I_{OL} = 24$ mA, $V_{IN} = V_{IH}$ or $V_{IL}$ , $V_{CC} = \text{Min}$		0.5	V
$V_{IH}$	Input HIGH Voltage	Guaranteed Input Logical HIGH Voltage for all Inputs (Note 1)	2.0		V
$V_{IL}$	Input LOW Voltage	Guaranteed Input Logical LOW Voltage for all Inputs (Note 1)		0.8	V
$I_{IH}$	Input HIGH Leakage Current	$V_{IN} = 5.25$ V, $V_{CC} = \text{Max}$ (Note 2)		10	$\mu\text{A}$
$I_{IL}$	Input LOW Leakage Current	$V_{IN} = 0$ V, $V_{CC} = \text{Max}$ (Note 2)		-100	$\mu\text{A}$
$I_{OZH}$	Off-State Output Leakage Current HIGH	$V_{OUT} = 5.25$ V, $V_{CC} = \text{Max}$ $V_{IN} = V_{IH}$ or $V_{IL}$ (Note 2)		10	$\mu\text{A}$
$I_{OZL}$	Off-State Output Leakage Current LOW	$V_{OUT} = 0$ V, $V_{CC} = \text{Max}$ $V_{IN} = V_{IH}$ or $V_{IL}$ (Note 2)		-100	$\mu\text{A}$
$I_{SC}$	Output Short-Circuit Current	$V_{OUT} = 0.5$ V, $V_{CC} = \text{Max}$ (Note 3)	-30	-150	mA
$I_{CC}$	Supply Current (Dynamic)	Outputs Open ( $I_{OUT} = 0$ mA), $V_{CC} = \text{Max}$ , $f = 15$ MHz		55	mA

### Notes:

1. These are absolute values with respect to device ground, and all overshoots due to system or tester noise are included.
2. I/O pin leakage is the worst case of  $I_{IL}$  and  $I_{OZL}$  (or  $I_{IH}$  and  $I_{OZH}$ ).
3. Not more than one output should be shorted at a time, and the duration of the short-circuit should not exceed one second.  $V_{OUT} = 0.5$  V has been chosen to avoid test problems caused by tester ground degradation.

## CAPACITANCE<sup>1</sup>

Parameter Symbol	Parameter Description	Test Conditions		Typ	Unit
C <sub>IN</sub>	Input Capacitance	V <sub>IN</sub> = 2.0 V	V <sub>CC</sub> = 5.0 V, T <sub>A</sub> = 25 °C,	5	pF
C <sub>OUT</sub>	Output Capacitance	V <sub>OUT</sub> = 2.0 V	f = 1 MHz	8	pF

**Note:**

1. These parameters are not 100% tested, but are evaluated at initial characterization and at any time the design is modified where capacitance may be affected.

## SWITCHING CHARACTERISTICS OVER COMMERCIAL OPERATING RANGES<sup>1</sup>

Parameter Symbol	Parameter Description		-10		Unit
			Min <sup>2</sup>	Max	
t <sub>PD</sub>	Input or Feedback to Combinatorial Output		3	10	ns
t <sub>S</sub>	Setup Time from Input or Feedback to Clock		7.5		ns
t <sub>H</sub>	Hold Time		0		ns
t <sub>CO</sub>	Clock to Output		3	7.5	ns
t <sub>WL</sub>	Clock Width	LOW	6		ns
t <sub>WH</sub>		HIGH	6		ns
f <sub>MAX</sub>	Maximum Frequency (Note 3)	External Feedback	1/(t <sub>S</sub> +t <sub>CO</sub> )	66.7	MHz
		Internal Feedback (f <sub>CNT</sub> )	1/(t <sub>S</sub> +t <sub>CF</sub> ) (Note 4)	71.4	MHz
		No Feedback	1/(t <sub>WH</sub> +t <sub>WL</sub> )	83.3	MHz
t <sub>PZX</sub>	$\overline{OE}$ to Output Enable		2	10	ns
t <sub>PXZ</sub>	$\overline{OE}$ to Output Disable		2	10	ns
t <sub>EA</sub>	Input to Output Enable Using Product Term Control		3	10	ns
t <sub>ER</sub>	Input to Output Disable Using Product Term Control		3	10	ns

**Notes:**

1. See "Switching Test Circuit" for test conditions.
2. Output delay minimums for t<sub>PD</sub>, t<sub>CO</sub>, t<sub>PZX</sub>, t<sub>PXZ</sub>, t<sub>EA</sub>, and t<sub>ER</sub> are defined under best case conditions. Future process improvements may alter these values; therefore, minimum values are recommended for simulation purposes only.
3. These parameters are not 100% tested, but are calculated at initial characterization and at any time the design is modified where frequency may be affected.
4. t<sub>CF</sub> is a calculated value and is not guaranteed. t<sub>CF</sub> can be found using the following equation:  
t<sub>CF</sub> = 1/f<sub>MAX</sub> (internal feedback) - t<sub>S</sub>

## ABSOLUTE MAXIMUM RATINGS

Storage Temperature . . . . . -65°C to +150°C  
 Ambient Temperature  
 with Power Applied . . . . . -55°C to +125°C  
 Supply Voltage  
 with Respect to Ground . . . . . -0.5 V to + 7.0 V  
 DC Input Voltage . . . . . -0.5 V to  $V_{CC} + 0.5$  V  
 DC Output or I/O  
 Pin Voltage . . . . . -0.5 V to  $V_{CC} + 0.5$  V  
 Static Discharge Voltage . . . . . 2001 V  
 Latchup Current ( $T_A = -40^\circ\text{C}$  to  $+85^\circ\text{C}$ ) . . . . . 100 mA

*Stresses above those listed under Absolute Maximum Ratings may cause permanent device failure. Functionality at or above these limits is not implied. Exposure to Absolute Maximum Ratings for extended periods may affect device reliability. Programming conditions may differ.*

## OPERATING RANGES

### Commercial (C) Devices

Ambient Temperature ( $T_A$ )  
 Operating in Free Air . . . . .  $0^\circ\text{C}$  to  $+75^\circ\text{C}$   
 Supply Voltage ( $V_{CC}$ )  
 with Respect to Ground . . . . . +4.75 V to +5.25 V

### Industrial (I) Devices

Temperature ( $T_A$ ) Operating  
 in Free Air . . . . .  $-40^\circ\text{C}$  to  $+85^\circ\text{C}$   
 Supply Voltage ( $V_{CC}$ )  
 with Respect to Ground . . . . . +4.5 V to +5.5 V

*Operating ranges define those limits between which the functionality of the device is guaranteed.*

## DC CHARACTERISTICS OVER COMMERCIAL AND INDUSTRIAL OPERATING RANGES

Parameter Symbol	Parameter Description	Test Description	Min	Max	Unit
$V_{OH}$	Output HIGH Voltage	$I_{OH} = -3.2$ mA, $V_{IN} = V_{IH}$ or $V_{IL}$ , $V_{CC} = \text{Min}$	2.4		V
$V_{OL}$	Output LOW Voltage	$I_{OL} = 24$ mA, $V_{IN} = V_{IH}$ or $V_{IL}$ , $V_{CC} = \text{Min}$		0.5	V
$V_{IH}$	Input HIGH Voltage	Guaranteed Input Logical HIGH Voltage for all Inputs (Note 1)	2.0		V
$V_{IL}$	Input LOW Voltage	Guaranteed Input Logical LOW Voltage for all Inputs (Note 1)		0.8	V
$I_{IH}$	Input HIGH Leakage Current	$V_{IN} = 5.25$ V, $V_{CC} = \text{Max}$ (Note 2)		10	$\mu\text{A}$
$I_{IL}$	Input LOW Leakage Current	$V_{IN} = 0$ V, $V_{CC} = \text{Max}$ (Note 2)		-100	$\mu\text{A}$
$I_{OZH}$	Off-State Output Leakage Current HIGH	$V_{OUT} = 5.25$ V, $V_{CC} = \text{Max}$ $V_{IN} = V_{IH}$ or $V_{IL}$ (Note 2)		10	$\mu\text{A}$
$I_{OZL}$	Off-State Output Leakage Current LOW	$V_{OUT} = 0$ V, $V_{CC} = \text{Max}$ $V_{IN} = V_{IH}$ or $V_{IL}$ (Note 2)		-100	$\mu\text{A}$
$I_{SC}$	Output Short-Circuit Current	$V_{OUT} = 0.5$ V, $V_{CC} = \text{Max}$ (Note 3)	-30	-150	mA
$I_{CC}$ (Dynamic)	Commercial Supply Current	Outputs Open ( $I_{OUT} = 0$ mA) $V_{CC} = \text{Max}$ , $f = 15$ MHz	H	90	mA
			Q	55	
	Industrial Supply Current		H	130	mA
			Q	65	

### Notes:

- These are absolute values with respect to device ground, and all overshoots due to system or tester noise are included.
- I/O pin leakage is the worst case of  $I_{IL}$  and  $I_{OZL}$  (or  $I_{IH}$  and  $I_{OZH}$ ).
- Not more than one output should be shorted at a time, and the duration of the short-circuit should not exceed one second.  $V_{OUT} = 0.5$  V has been chosen to avoid test problems caused by tester ground degradation.

## CAPACITANCE<sup>1</sup>

Parameter Symbol	Parameter Description	Test Conditions		Typ	Unit
C <sub>IN</sub>	Input Capacitance	V <sub>IN</sub> = 2.0 V	V <sub>CC</sub> = 5.0 V, T <sub>A</sub> = 25 °C,	5	pF
C <sub>OUT</sub>	Output Capacitance	V <sub>OUT</sub> = 2.0 V	f = 1 MHz	8	pF

**Note:**

1. These parameters are not 100% tested, but are evaluated at initial characterization and at any time the design is modified where capacitance may be affected.

## SWITCHING CHARACTERISTICS OVER COMMERCIAL AND INDUSTRIAL OPERATING RANGES<sup>1</sup>

Parameter Symbol	Parameter Description		-15		-20		-25		Unit
			Min	Max	Min	Max	Min	Max	
t <sub>PD</sub>	Input or Feedback to Combinatorial Output			15		20		25	ns
t <sub>S</sub>	Setup Time from Input or Feedback to Clock		12		13		15		ns
t <sub>H</sub>	Hold Time		0		0		0		ns
t <sub>CO</sub>	Clock to Output			10		11		12	ns
t <sub>WL</sub>	Clock Width	LOW	8		10		12		ns
t <sub>WH</sub>		HIGH	8		10		12		ns
f <sub>MAX</sub>	Maximum Frequency (Note 2)	External Feedback	1/(t <sub>S</sub> +t <sub>CO</sub> )	45.5		41.6		37	MHz
		Internal Feedback (t <sub>CNT</sub> )	1/(t <sub>S</sub> +t <sub>CF</sub> ) (Note 3)	50		45.4		40	MHz
		No Feedback	1/(t <sub>WH</sub> +t <sub>WL</sub> )	62.5		50.0		41.6	MHz
t <sub>PZX</sub>	$\overline{OE}$ to Output Enable			15		18		20	ns
t <sub>PXZ</sub>	$\overline{OE}$ to Output Disable			15		18		20	ns
t <sub>EA</sub>	Input to Output Enable Using Product Term Control			15		18		20	ns
t <sub>ER</sub>	Input to Output Disable Using Product Term Control			15		18		20	ns

**Notes:**

1. See "Switching Test Circuit" for test conditions.
2. These parameters are not 100% tested, but are calculated at initial characterization and at any time the design is modified where frequency may be affected.
3. t<sub>CF</sub> is a calculated value and is not guaranteed. t<sub>CF</sub> can be found using the following equation:  
t<sub>CF</sub> = 1/f<sub>MAX</sub> (internal feedback) - t<sub>S</sub>.

## ABSOLUTE MAXIMUM RATINGS

Storage Temperature . . . . . -65°C to +150°C  
 Ambient Temperature  
 with Power Applied . . . . . -55°C to +125°C  
 Supply Voltage  
 with Respect to Ground . . . . . -0.5 V to + 7.0 V  
 DC Input Voltage . . . . . -0.5 V to  $V_{CC} + 0.5$  V  
 DC Output or I/O Pin Voltage . . . -0.5 V to  $V_{CC} + 0.5$  V  
 Static Discharge Voltage . . . . . 2001 V  
 Latchup Current ( $T_A = -40^\circ\text{C}$  to  $+85^\circ\text{C}$ ). . . . . 100 mA

*Stresses above those listed under Absolute Maximum Ratings may cause permanent device failure. Functionality at or above these limits is not implied. Exposure to Absolute Maximum Ratings for extended periods may affect device reliability. Programming conditions may differ.*

## OPERATING RANGES

### Industrial (I) Devices

Ambient Temperature ( $T_A$ )  
 Operating in Free Air . . . . . -40°C to +85°C  
 Supply Voltage ( $V_{CC}$ )  
 with Respect to Ground . . . . . +4.5 V to +5.5 V  
*Operating ranges define those limits between which the functionality of the device is guaranteed.*

## DC CHARACTERISTICS OVER INDUSTRIAL OPERATING RANGES

Parameter Symbol	Parameter Description	Test Description	Min	Max	Unit	
$V_{OH}$	Output HIGH Voltage	$V_{IN} = V_{IH}$ or $V_{IL}$ , $V_{CC} = \text{Min}$	$I_{OH} = 6$ mA	3.84		V
			$I_{OH} = 20$ $\mu\text{A}$	$V_{CC} - 0.1$ V		V
$V_{OL}$	Output LOW Voltage	$V_{IN} = V_{IH}$ or $V_{IL}$ , $V_{CC} = \text{Min}$	$I_{OL} = 24$ mA		0.5	V
			$I_{OL} = 6$ mA		0.33	V
			$I_{OL} = 20$ $\mu\text{A}$		0.1	V
$V_{IH}$	Input HIGH Voltage	Guaranteed Input Logical HIGH Voltage for all Inputs (Notes 1 and 2)	2.0		V	
$V_{IL}$	Input LOW Voltage	Guaranteed Input Logical LOW Voltage for all Inputs (Notes 1 and 2)		0.9	V	
$I_{IH}$	Input HIGH Leakage Current	$V_{IN} = 5.25$ V, $V_{CC} = \text{Max}$ (Note 3)		10	$\mu\text{A}$	
$I_{IL}$	Input LOW Leakage Current	$V_{IN} = 0$ V, $V_{CC} = \text{Max}$ (Note 3)		-10	$\mu\text{A}$	
$I_{OZH}$	Off-State Output Leakage Current HIGH	$V_{OUT} = 5.25$ V, $V_{CC} = \text{Max}$ $V_{IN} = V_{IH}$ or $V_{IL}$ (Note 3)		10	$\mu\text{A}$	
$I_{OZL}$	Off-State Output Leakage Current LOW	$V_{OUT} = 0$ V, $V_{CC} = \text{Max}$ $V_{IN} = V_{IH}$ or $V_{IL}$ (Note 3)		-10	$\mu\text{A}$	
$I_{SC}$	Output Short-Circuit Current	$V_{OUT} = 0.5$ V, $V_{CC} = \text{Max}$ (Note 4)	-30	-150	mA	
$I_{CC}$	Supply Current (Static)	Outputs Open ( $I_{OUT} = 0$ mA)	$f = 0$ MHz	30	$\mu\text{A}$	
	Supply Current (Dynamic)	$V_{CC} = \text{Max}$	$f = 15$ MHz	75	mA	

### Notes:

1. These are absolute values with respect to device ground, and all overshoots due to system or tester noise are included.
2. Represents the worst case of HC and HCT standards, allowing compatibility with either.
3. I/O pin leakage is the worst case of  $I_{IL}$  and  $I_{OZL}$  (or  $I_{IH}$  and  $I_{OZH}$ ).
4. Not more than one output should be shorted at a time, and the duration of the short-circuit should not exceed one second.  $V_{OUT} = 0.5$  V has been chosen to avoid test problems caused by tester ground degradation.

## CAPACITANCE<sup>1</sup>

Parameter Symbol	Parameter Description	Test Conditions		Typ	Unit
C <sub>IN</sub>	Input Capacitance	V <sub>IN</sub> = 2.0 V	V <sub>CC</sub> = 5.0 V, T <sub>A</sub> = 25 °C,	5	pF
C <sub>OUT</sub>	Output Capacitance	V <sub>OUT</sub> = 2.0 V	f = 1 MHz	8	pF

**Note:**

1. These parameters are not 100% tested, but are evaluated at initial characterization and at any time the design is modified where capacitance may be affected.

## SWITCHING CHARACTERISTICS OVER INDUSTRIAL OPERATING RANGES<sup>1</sup>

Parameter Symbol	Parameter Description		-12		Unit
			Min	Max	
t <sub>PD</sub>	Input or Feedback to Combinatorial Output (Note 2)			12	ns
t <sub>S</sub>	Setup Time from Input or Feedback to Clock		8		ns
t <sub>H</sub>	Hold Time		0		ns
t <sub>CO</sub>	Clock to Output			8	ns
t <sub>WL</sub>	Clock Width	LOW	5		ns
t <sub>WH</sub>		HIGH	5		ns
f <sub>MAX</sub>	Maximum Frequency (Notes 3 and 4)	External Feedback	1/(t <sub>S</sub> +t <sub>CO</sub> )	62.5	MHz
		Internal Feedback (f <sub>CNT</sub> )	1/(t <sub>S</sub> +t <sub>CF</sub> )	77	MHz
		No Feedback	1/(t <sub>WH</sub> +t <sub>WL</sub> )	100	MHz
t <sub>PZX</sub>	$\overline{OE}$ to Output Enable			8	ns
t <sub>PXZ</sub>	$\overline{OE}$ to Output Disable			8	ns
t <sub>EA</sub>	Input to Output Enable Using Product Term Control			13	ns
t <sub>ER</sub>	Input to Output Disable Using Product Term Control			13	ns

**Notes:**

1. See "Switching Test Circuit" for test conditions.
2. This parameter is tested in standby mode.
3. These parameters are not 100% tested, but are calculated at initial characterization and at any time the design is modified where frequency may be affected.
4. Output delay minimums for t<sub>PD</sub>, t<sub>CO</sub>, t<sub>PZX</sub>, t<sub>PXZ</sub>, t<sub>EA</sub>, and t<sub>ER</sub> are defined under best case conditions. Future process improvements may alter these values therefore, minimum values are recommended for simulation purposes only.
5. t<sub>CF</sub> is a calculated value and is not guaranteed. t<sub>CF</sub> can be found using the following equation:  

$$t_{CF} = 1/f_{MAX} \text{ (internal feedback)} - t_S$$

## ABSOLUTE MAXIMUM RATINGS

Storage Temperature . . . . . -65°C to +150°C  
 Ambient Temperature  
 with Power Applied . . . . . -55°C to +125°C  
 Supply Voltage  
 with Respect to Ground . . . . . -0.5 V to + 7.0 V  
 DC Input Voltage . . . . . -0.5 V to  $V_{CC} + 0.5$  V  
 DC Output or I/O Pin Voltage . . . -0.5 V to  $V_{CC} + 0.5$  V  
 Static Discharge Voltage . . . . . 2001 V  
 Latchup Current ( $T_A = -40^\circ\text{C}$  to  $+85^\circ\text{C}$ ). . . . . 100 mA

*Stresses above those listed under Absolute Maximum Ratings may cause permanent device failure. Functionality at or above these limits is not implied. Exposure to Absolute Maximum Ratings for extended periods may affect device reliability. Programming conditions may differ.*

## OPERATING RANGES

### Industrial (I) Devices

Ambient Temperature ( $T_A$ )  
 Operating in Free Air . . . . . -40°C to +85°C  
 Supply Voltage ( $V_{CC}$ )  
 with Respect to Ground . . . . . +4.5 V to +5.5 V  
*Operating ranges define those limits between which the functionality of the device is guaranteed.*

## DC CHARACTERISTICS OVER INDUSTRIAL OPERATING RANGES

Parameter Symbol	Parameter Description	Test Description	Min	Max	Unit	
$V_{OH}$	Output HIGH Voltage	$V_{IN} = V_{IH}$ or $V_{IL}$ , $V_{CC} = \text{Min}$	$I_{OH} = 6$ mA	3.84		V
			$I_{OH} = 20$ $\mu\text{A}$	$V_{CC} - 0.1$ V		V
$V_{OL}$	Output LOW Voltage	$V_{IN} = V_{IH}$ or $V_{IL}$ , $V_{CC} = \text{Min}$	$I_{OL} = 24$ mA		0.5	V
			$I_{OL} = 6$ mA		0.33	V
			$I_{OL} = 20$ $\mu\text{A}$		0.1	V
$V_{IH}$	Input HIGH Voltage	Guaranteed Input Logical HIGH Voltage for all Inputs (Notes 1 and 2)	2.0		V	
$V_{IL}$	Input LOW Voltage	Guaranteed Input Logical LOW Voltage for all Inputs (Notes 1 and 2)		0.9	V	
$I_{IH}$	Input HIGH Leakage Current	$V_{IN} = 5.25$ V, $V_{CC} = \text{Max}$ (Note 3)		10	$\mu\text{A}$	
$I_{IL}$	Input LOW Leakage Current	$V_{IN} = 0$ V, $V_{CC} = \text{Max}$ (Note 3)		-10	$\mu\text{A}$	
$I_{OZH}$	Off-State Output Leakage Current HIGH	$V_{OUT} = 5.25$ V, $V_{CC} = \text{Max}$ $V_{IN} = V_{IH}$ or $V_{IL}$ (Note 3)		10	$\mu\text{A}$	
$I_{OZL}$	Off-State Output Leakage Current LOW	$V_{OUT} = 0$ V, $V_{CC} = \text{Max}$ $V_{IN} = V_{IH}$ or $V_{IL}$ (Note 3)		-10	$\mu\text{A}$	
$I_{SC}$	Output Short-Circuit Current	$V_{OUT} = 0.5$ V, $V_{CC} = \text{Max}$ (Note 4)	-30	-150	mA	
$I_{CC}$	Supply Current (Static)	Outputs Open ( $I_{OUT} = 0$ mA)	$f = 0$ MHz	15	$\mu\text{A}$	
	Supply Current (Dynamic)	$V_{CC} = \text{Max}$	$f = 25$ MHz	75	mA	

### Notes:

1. These are absolute values with respect to device ground, and all overshoots due to system or tester noise are included.
2. Represents the worst case of HC and HCT standards, allowing compatibility with either.
3. I/O pin leakage is the worst case of  $I_{IL}$  and  $I_{OZL}$  (or  $I_{IH}$  and  $I_{OZH}$ ).
4. Not more than one output should be shorted at a time, and the duration of the short-circuit should not exceed one second.  $V_{OUT} = 0.5$  V has been chosen to avoid test problems caused by tester ground degradation.

## CAPACITANCE<sup>1</sup>

Parameter Symbol	Parameter Description	Test Conditions		Typ	Unit
C <sub>IN</sub>	Input Capacitance	V <sub>IN</sub> = 2.0 V	V <sub>CC</sub> = 5.0 V, T <sub>A</sub> = 25 °C,	5	pF
C <sub>OUT</sub>	Output Capacitance	V <sub>OUT</sub> = 2.0 V	f = 1 MHz	8	pF

**Note:**

1. These parameters are not 100% tested, but are evaluated at initial characterization and at any time the design is modified where capacitance may be affected.

## SWITCHING CHARACTERISTICS OVER INDUSTRIAL OPERATING RANGES<sup>1</sup>

Parameter Symbol	Parameter Description		-15		Unit
			Min <sup>2</sup>	Max	
t <sub>PD</sub>	Input or Feedback to Combinatorial Output			15	ns
t <sub>S</sub>	Setup Time from Input or Feedback to Clock		10		ns
t <sub>H</sub>	Hold Time		0		ns
t <sub>CO</sub>	Clock to Output			10	ns
t <sub>WL</sub>	Clock Width	LOW	8		ns
t <sub>WH</sub>		HIGH	8		ns
f <sub>MAX</sub>	Maximum Frequency (Notes 3 and 4)	External Feedback	1/(t <sub>S</sub> +t <sub>CO</sub> )	50	MHz
		Internal Feedback (f <sub>CNT</sub> )	1/(t <sub>S</sub> +t <sub>CF</sub> )	58.8	MHz
		No Feedback	1/(t <sub>WH</sub> +t <sub>WL</sub> )	62.5	MHz
t <sub>PZX</sub>	$\overline{OE}$ to Output Enable			15	ns
t <sub>XPZ</sub>	$\overline{OE}$ to Output Disable			15	ns
t <sub>EA</sub>	Input to Output Enable Using Product Term Control			15	ns
t <sub>ER</sub>	Input to Output Disable Using Product Term Control			15	ns

**Notes:**

1. See "Switching Test Circuit" for test conditions.
2. This parameter is tested in standby mode.
3. These parameters are not 100% tested, but are calculated at initial characterization and at any time the design is modified where frequency may be affected.
4. t<sub>CF</sub> is a calculated value and is not guaranteed. t<sub>CF</sub> can be found using the following equation:  
t<sub>CF</sub> = 1/f<sub>MAX</sub> (internal feedback) - t<sub>S</sub>.

## ABSOLUTE MAXIMUM RATINGS

Storage Temperature . . . . . -65°C to +150°C  
 Ambient Temperature  
 with Power Applied . . . . . -55°C to +125°C  
 Supply Voltage  
 with Respect to Ground . . . . . -0.5 V to + 7.0 V  
 DC Input Voltage . . . . . -0.5 V to  $V_{CC} + 0.5$  V  
 DC Output or I/O Pin Voltage . . . -0.5 V to  $V_{CC} + 0.5$  V  
 Static Discharge Voltage . . . . . 2001 V  
 Latchup Current ( $T_A = -40^\circ\text{C}$  to  $+85^\circ\text{C}$ ). . . . . 100 mA

*Stresses above those listed under Absolute Maximum Ratings may cause permanent device failure. Functionality at or above these limits is not implied. Exposure to Absolute Maximum Ratings for extended periods may affect device reliability. Programming conditions may differ.*

## OPERATING RANGES

### Commercial (C) Devices

Ambient Temperature ( $T_A$ )  
 Operating in Free Air . . . . . 0°C to +75°C  
 Supply Voltage ( $V_{CC}$ )  
 with Respect to Ground . . . . . +4.75 V to +5.25 V

### Industrial (I) Devices

Temperature ( $T_A$ ) Operating  
 in Free Air . . . . . -40°C to +85°C  
 Supply Voltage ( $V_{CC}$ )  
 with Respect to Ground . . . . . +4.5 V to +5.5 V

*Operating ranges define those limits between which the functionality of the device is guaranteed.*

## DC CHARACTERISTICS OVER COMMERCIAL AND INDUSTRIAL OPERATING RANGES

Parameter Symbol	Parameter Description	Test Description	Min	Max	Unit
$V_{OH}$	Output HIGH Voltage	$V_{IN} = V_{IH}$ or $V_{IL}$ , $V_{CC} = \text{Min}$	$I_{OH} = 6$ mA	3.84	V
			$I_{OH} = 20$ $\mu\text{A}$	$V_{CC} - 0.1$ V	V
$V_{OL}$	Output LOW Voltage	$V_{IN} = V_{IH}$ or $V_{IL}$ , $V_{CC} = \text{Min}$	$I_{OL} = 24$ mA	0.5	V
			$I_{OL} = 6$ mA	0.33	V
			$I_{OL} = 20$ $\mu\text{A}$	0.1	V
$V_{IH}$	Input HIGH Voltage	Guaranteed Input Logical HIGH Voltage for all Inputs (Notes 1 and 2)	2.0		V
$V_{IL}$	Input LOW Voltage	Guaranteed Input Logical LOW Voltage for all Inputs (Notes 1 and 2)		0.9	V
$I_{IH}$	Input HIGH Leakage Current	$V_{IN} = 5.25$ V, $V_{CC} = \text{Max}$ (Note 3)		10	$\mu\text{A}$
$I_{IL}$	Input LOW Leakage Current	$V_{IN} = 0$ V, $V_{CC} = \text{Max}$ (Note 3)		-10	$\mu\text{A}$
$I_{OZH}$	Off-State Output Leakage Current HIGH	$V_{OUT} = 5.25$ V, $V_{CC} = \text{Max}$ $V_{IN} = V_{IH}$ or $V_{IL}$ (Note 3)		10	$\mu\text{A}$
$I_{OZL}$	Off-State Output Leakage Current LOW	$V_{OUT} = 0$ V, $V_{CC} = \text{Max}$ $V_{IN} = V_{IH}$ or $V_{IL}$ (Note 3)		-10	$\mu\text{A}$
$I_{SC}$	Output Short-Circuit Current	$V_{OUT} = 0.5$ V, $V_{CC} = \text{Max}$ (Note 4)	-30	-150	mA
$I_{CC}$	Supply Current (Static)	Outputs Open ( $I_{OUT} = 0$ mA)	$f = 0$ MHz	15	$\mu\text{A}$
	Supply Current (Dynamic)	$V_{CC} = \text{Max}$	$f = 25$ MHz	90	mA

### Notes:

1. These are absolute values with respect to device ground, and all overshoots due to system or tester noise are included.
2. Represents the worst case of HC and HCT standards, allowing compatibility with either.
3. I/O pin leakage is the worst case of  $I_{IL}$  and  $I_{OZL}$  (or  $I_{IH}$  and  $I_{OZH}$ ).
4. Not more than one output should be shorted at a time, and the duration of the short-circuit should not exceed one second.  $V_{OUT} = 0.5$  V has been chosen to avoid test problems caused by tester ground degradation.

## CAPACITANCE<sup>1</sup>

Parameter Symbol	Parameter Description	Test Conditions		Typ	Unit
C <sub>IN</sub>	Input Capacitance	V <sub>IN</sub> = 2.0 V	V <sub>CC</sub> = 5.0 V, T <sub>A</sub> = 25 °C,	5	pF
C <sub>OUT</sub>	Output Capacitance	V <sub>OUT</sub> = 2.0 V	f = 1 MHz	8	pF

**Note:**

1. These parameters are not 100% tested, but are evaluated at initial characterization and at any time the design is modified where capacitance may be affected.

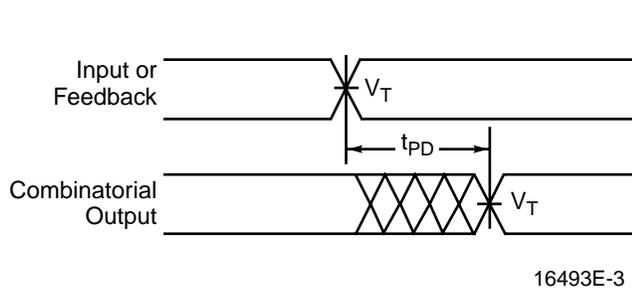
## SWITCHING CHARACTERISTICS OVER COMMERCIAL AND INDUSTRIAL OPERATING RANGES<sup>1</sup>

Parameter Symbol	Parameter Description		-25		Unit
			Min <sup>2</sup>	Max	
t <sub>PD</sub>	Input or Feedback to Combinatorial Output (Note 3)			25	ns
t <sub>S</sub>	Setup Time from Input or Feedback to Clock		20		ns
t <sub>H</sub>	Hold Time		0		ns
t <sub>CO</sub>	Clock to Output			10	ns
t <sub>WL</sub>	Clock Width	LOW	8		ns
t <sub>WH</sub>		HIGH	8		ns
f <sub>MAX</sub>	Maximum Frequency (Notes 4 and 5)	External Feedback	1/(t <sub>S</sub> +t <sub>CO</sub> )	33.3	MHz
		Internal Feedback (f <sub>CNT</sub> )	1/(t <sub>S</sub> +t <sub>CF</sub> )	50	MHz
		No Feedback	1/(t <sub>WH</sub> +t <sub>WL</sub> )	50	MHz
t <sub>PZX</sub>	$\overline{OE}$ to Output Enable			25	ns
t <sub>PXZ</sub>	$\overline{OE}$ to Output Disable			25	ns
t <sub>EA</sub>	Input to Output Enable Using Product Term Control			25	ns
t <sub>ER</sub>	Input to Output Disable Using Product Term Control			25	ns

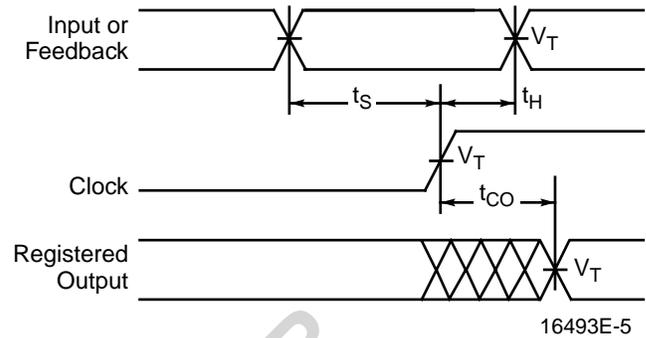
**Notes:**

1. See "Switching Test Circuit" for test conditions.
2. This parameter is tested in standby mode.
3. This parameter is tested in Standby Mode. When the device is not in Standby Mode, the t<sub>PD</sub> will typically be 2 ns faster.
4. These parameters are not 100% tested, but are calculated at initial characterization and at any time the design is modified where frequency may be affected.
5. t<sub>CF</sub> is a calculated value and is not guaranteed. t<sub>CF</sub> can be found using the following equation:  
 $t_{CF} = 1/f_{MAX} \text{ (internal feedback)} - t_S$

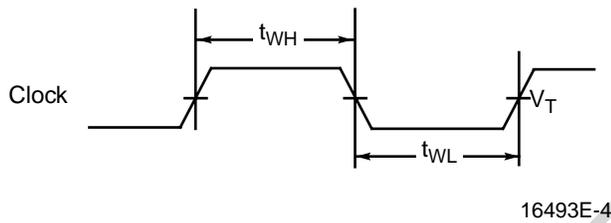
## SWITCHING WAVEFORMS



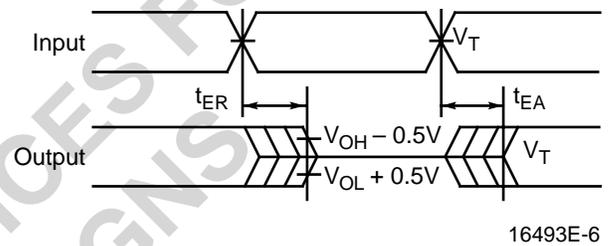
a. Combinatorial output



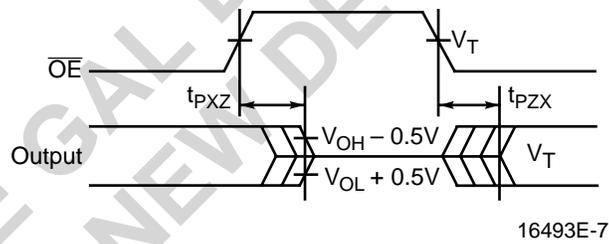
b. Registered output



c. Clock width



d. Input to output disable/enable



e.  $\overline{OE}$  to output disable/enable

**Notes:**

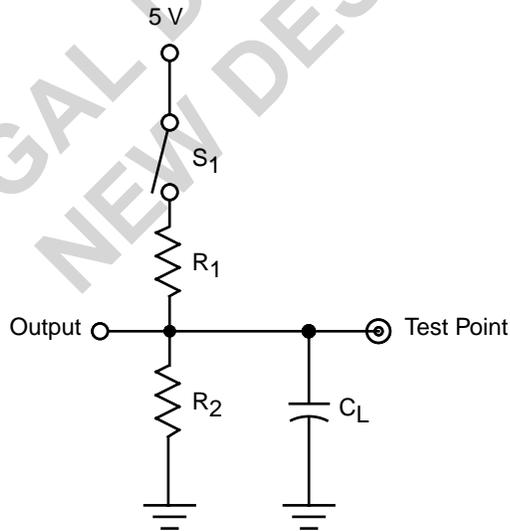
1.  $V_T = 1.5 V$
2. Input pulse amplitude 0 V to 3.0 V.
3. Input rise and fall times 2 ns to 5 ns typical.

## KEY TO SWITCHING WAVEFORMS

WAVEFORM	INPUTS	OUTPUTS
	Must be Steady	Will be Steady
	May Change from H to L	Will be Changing from H to L
	May Change from L to H	Will be Changing from L to H
	Don't Care, Any Change Permitted	Changing, State Unknown
	Does Not Apply	Center Line is High-Impedance "Off" State

KS000010-PAL

## SWITCHING TEST CIRCUIT

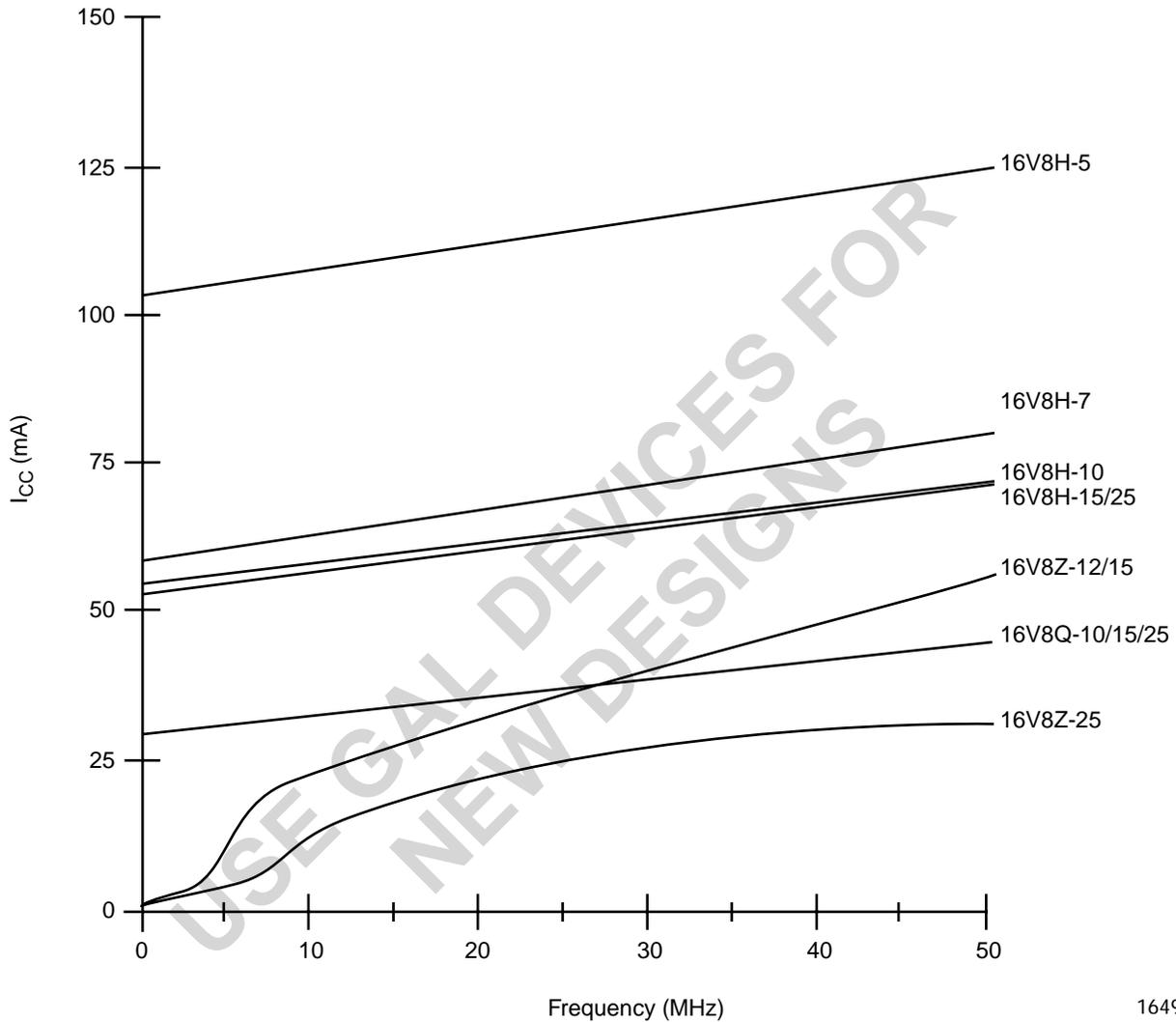


16493E-8

Specification	S <sub>1</sub>	C <sub>L</sub>	Commercial		Measured Output Value
			R <sub>1</sub>	R <sub>2</sub>	
t <sub>PD</sub> , t <sub>CO</sub>	Closed	50 pF	200 Ω	390 Ω	1.5 V
t <sub>EA</sub>	Z → H: Open				1.5 V
	Z → L: Closed				
t <sub>ER</sub>	H → Z: Open	5 pF	200 Ω	H-5: 200 Ω	H → Z: V <sub>OH</sub> - 0.5 V
	L → Z: Closed				L → Z: V <sub>OL</sub> + 0.5 V

## TYPICAL $I_{CC}$ CHARACTERISTICS

$V_{CC} = 5\text{ V}$ ,  $T_A = 25^\circ\text{C}$



16493E-9

### $I_{CC}$ vs. Frequency

The selected "typical" pattern utilized 50% of the device resources. Half of the macrocells were programmed as registered, and the other half were programmed as combinatorial. Half of the available product terms were used for each macrocell. On any vector, half of the outputs were switching.

By utilizing 50% of the device, a midpoint is defined for  $I_{CC}$ . From this midpoint, a designer may scale the  $I_{CC}$  graphs up or down to estimate the  $I_{CC}$  requirements for a particular design.

## ENDURANCE CHARACTERISTICS

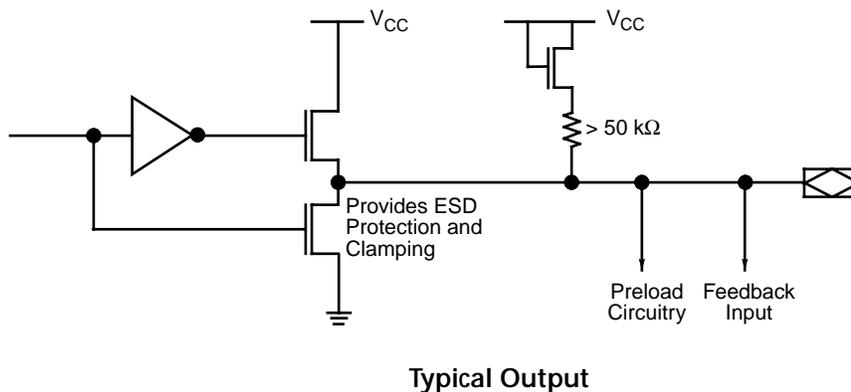
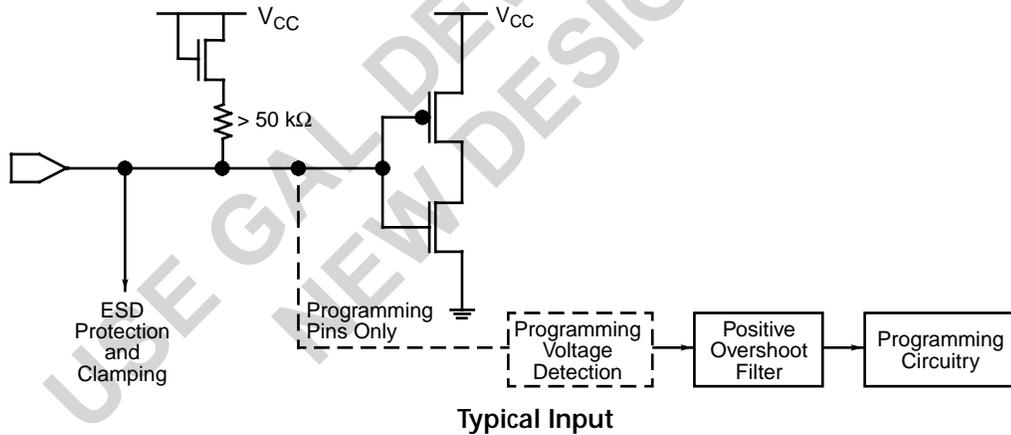
The PALCE16V8 is manufactured using Vantis' advanced electrically-erasable (EE) CMOS process. This technology uses an EE cell to replace the fuse link used in bipolar parts. As a result, the device can be erased and reprogrammed—a feature which allows 100% testing at the factory.

Symbol	Parameter	Test Conditions	Value	Unit
$t_{DR}$	Min Pattern Data Retention Time	Max Storage Temperature	10	Years
		Max Operating Temperature	20	Years
N	Min Reprogramming Cycles	Normal Programming Conditions	100	Cycles

## ROBUSTNESS FEATURES

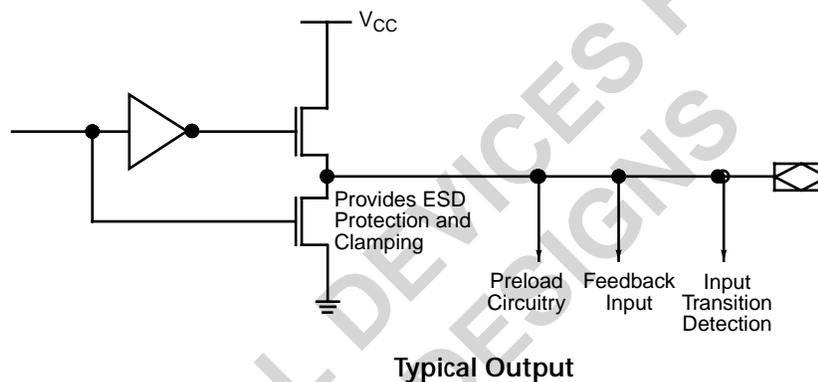
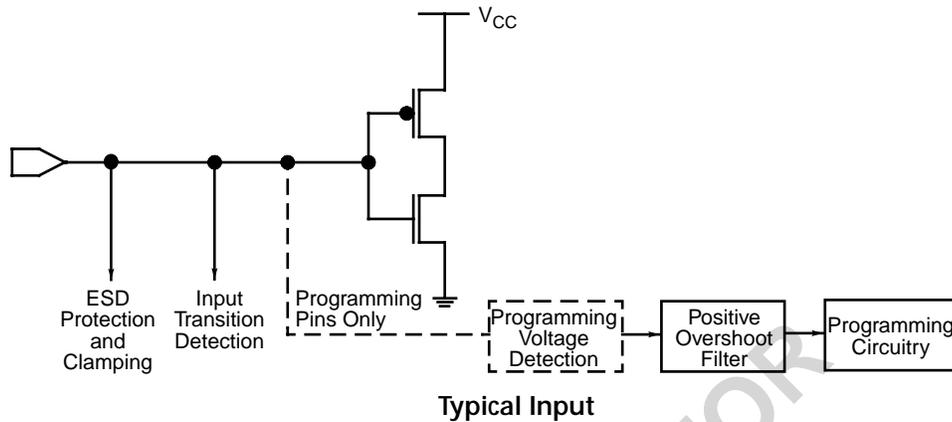
PALCE16V8X-X/5 devices have some unique features that make them extremely robust, especially when operating in high-speed design environments. Pull-up resistors on inputs and I/O pins cause unconnected pins to default to a known state. Input clamping circuitry limits negative overshoot, eliminating the possibility of false clocking caused by subsequent ringing. A special noise filter makes the programming circuitry completely insensitive to any positive overshoot that has a pulse width of less than about 100 ns for the /5 versions. Selected /4 devices are also being retrofitted with these robustness features.

## INPUT/OUTPUT EQUIVALENT SCHEMATICS FOR PALCE16V8



16493E-10

## INPUT/OUTPUT EQUIVALENT SCHEMATICS FOR PALCE16V8Z



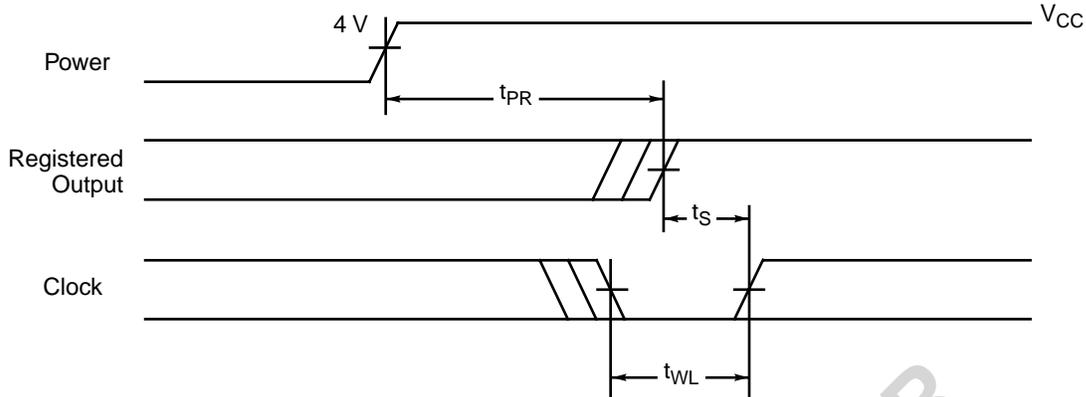
16493E-11

### POWER-UP RESET

The PALCE16V8 has been designed with the capability to reset during system power-up. Following power-up, all flip-flops will be reset to LOW. The output state will be HIGH independent of the logic polarity. This feature provides extra flexibility to the designer and is especially valuable in simplifying state machine initialization. A timing diagram and parameter table are shown below. Due to the synchronous operation of the power-up reset and the wide range of ways  $V_{CC}$  can rise to its steady state, two conditions are required to ensure a valid power-up reset. These conditions are:

- ◆ The  $V_{CC}$  rise must be monotonic.
- ◆ Following reset, the clock input must not be driven from LOW to HIGH until all applicable input and feedback setup times are met.

Parameter Symbol	Parameter Descriptions	Min	Max	Unit
$t_{PR}$	Power-Up Reset Time		1000	ns
$t_S$	Input or Feedback Setup Time	See Switching Characteristics		
$t_{WL}$	Clock Width LOW			



16493E-12

Figure 3. Power-Up Reset Waveform

## TYPICAL THERMAL CHARACTERISTICS

Measured at 25°C ambient. These parameters are not tested.

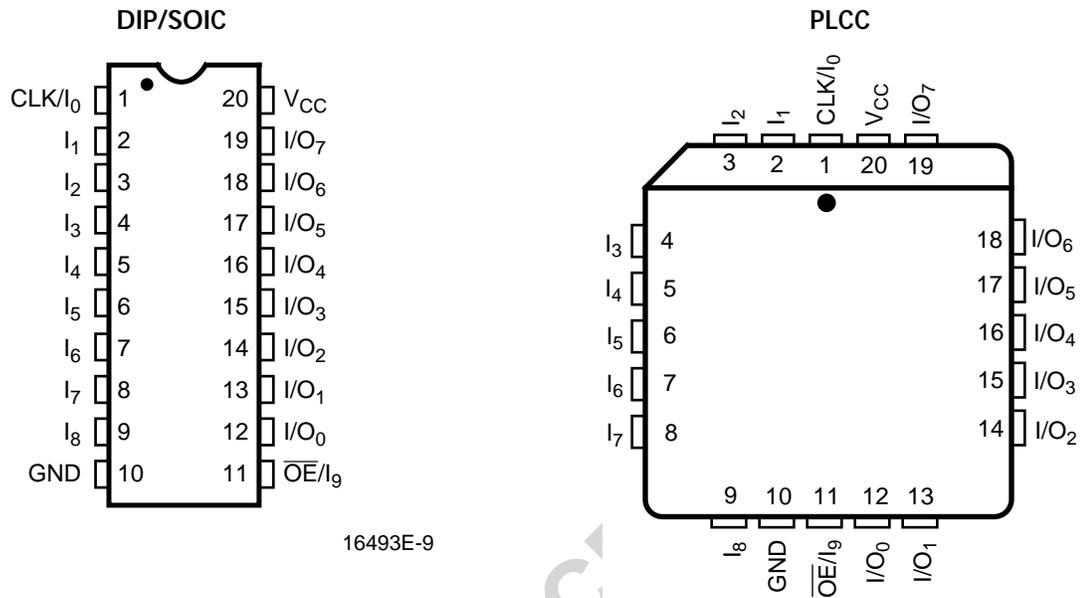
Parameter Symbol	Parameter Description	Typ		Unit	
		PDID	PLCC		
$\theta_{jc}$	Thermal impedance, junction to case	25	22	°C/W	
$\theta_{ja}$	Thermal impedance, junction to ambient	71	64	°C/W	
$\theta_{jma}$	Thermal impedance, junction to ambient with air flow	200 lfm air	61	55	°C/W
		400 lfm air	55	51	°C/W
		600 lfm air	51	47	°C/W
		800 lfm air	47	45	°C/W

### Plastic $\theta_{jc}$ Considerations

The data listed for plastic  $\theta_{jc}$  are for reference only and are not recommended for use in calculating junction temperatures. The heat-flow paths in plastic-encapsulated devices are complex, making the  $\theta_{jc}$  measurement relative to a specific location on the package surface. Tests indicate this measurement reference point is directly below the die-attach area on the bottom center of the package. Furthermore,  $\theta_{jc}$  tests on packages are performed in a constant-temperature bath, keeping the package surface at a constant temperature. Therefore, the measurements can only be used in a similar environment.

## CONNECTION DIAGRAMS

### Top View



**Note:**

Pin 1 is marked for orientation.

16493E-10

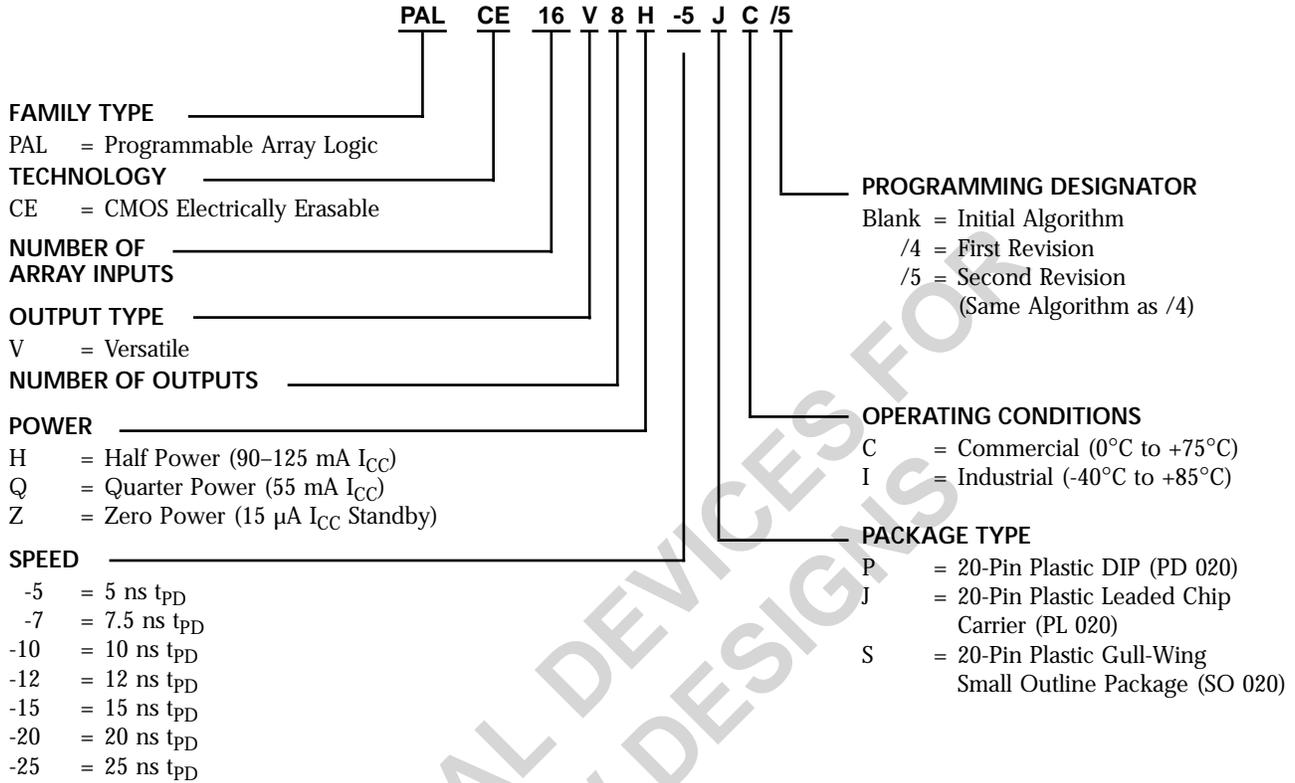
## PIN DESIGNATIONS

- CLK = Clock
- GND = Ground
- I = Input
- I/O = Input/Output
- $\overline{OE}$  = Output Enable
- VCC = Supply Voltage

## ORDERING INFORMATION

### Commercial and Industrial Products

Lattice/Vantis programmable logic products for commercial and industrial applications are available with several ordering options. The order number (Valid Combination) is formed by a combination of:



Valid Combinations		
PALCE16V8H-5	JC	/5
PALCE16V8H-7	PC, JC, SC	
PALCE16V8H-10	PC, JC, SC, PI, JI	/4
PALCE16V8Q-10	JC	/5
PALCE16V8H-15	PC, JC, SC	/4
PALCE16V8Q-15	PC, JC	
PALCE16V8Q-20	PI, JI	
PALCE16V8H-25	PC, JC, SC, PI, JI	
PALCE16V8Q-25	PC, JC, PI, JI	
PALCE16V8Z-12	PI, JI	
PALCE16V8Z-15		
PALCE16V8Z-25	PC, JC, SC, PI, JI, SI	

### Valid Combinations

Valid Combinations lists configurations planned to be supported in volume for this device. Consult the local Lattice/Vantis sales office to confirm availability of specific valid combinations and to check on newly released combinations.