



DESCRIPTION

PT2256 is an electronic volume controller IC utilizing CMOS Technology specially designed for use on audio equipment. It has 2 built-in channels making it ideally suitable for mono and stereo sound applications. PT2256 provides the Loudness Function, a wide frequency response range and a very low total harmonic distortion, thereby guaranteeing a highly effective and reliable performance. It is housed in 16-pin DIP or SOP package and is functionally compatible with TC9235P. Pin assignments and application circuit are optimized for low cost advantages and easy PCB Layout.

FEATURES

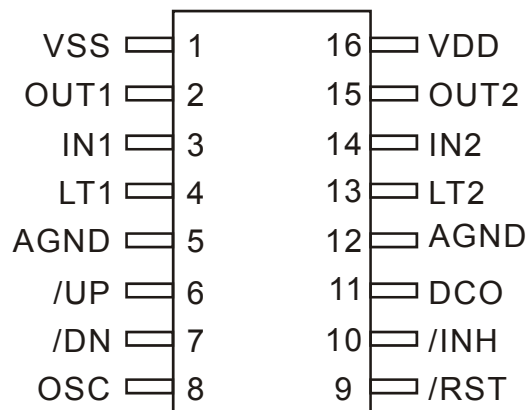
- CMOS technology
- Low power consumption
- Least external components
- 2 channels in the same chip
- 0dB to -78dB attenuation can be controlled by up and down pin
- 20dB tap for loudness circuit
- Built-in DC output circuit (8 levels) for volume level metering
- Wide frequency response range
- Low total harmonic distortion
- Available in 16 pins DIP or SOP

APPLICATION

- Audio equipment volume control



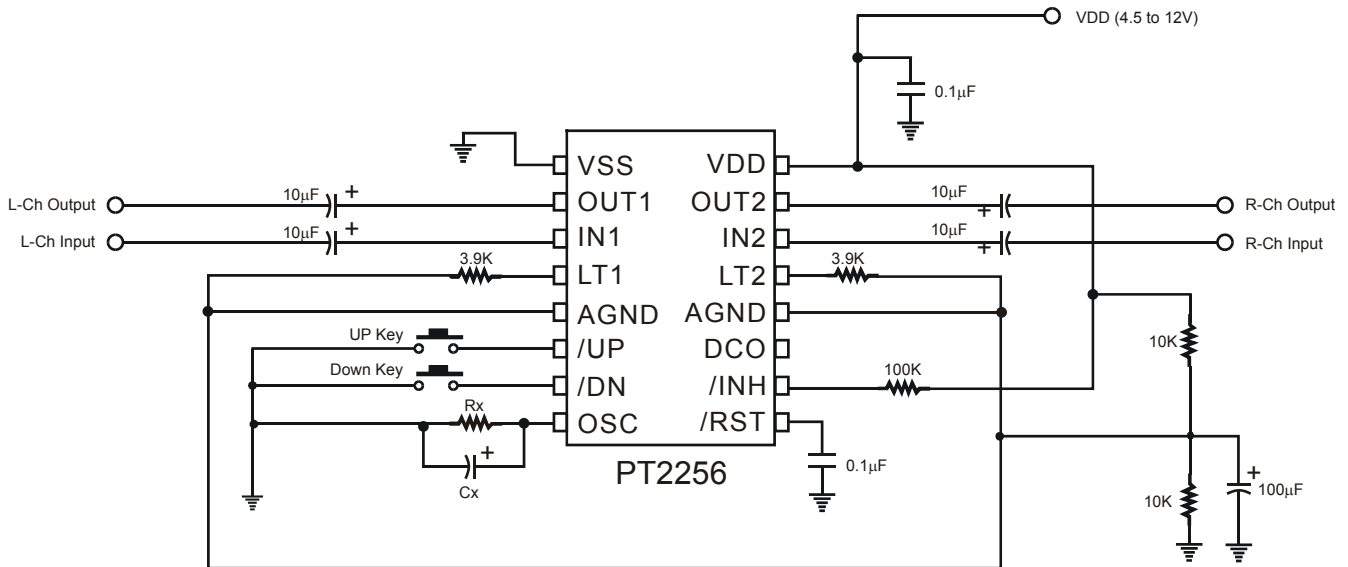
PIN CONFIGURATION



PT2256

APPLICATION CIRCUIT

SINGLE POWER SUPPLY (NO LOUDNESS AND NO BACKUP CIRCUIT)



Note:

Modifying the values of Rx and Cx affects the Oscillator Frequency of the IC. If the Fosc value is big, then the volume control change is fast. Likewise, if the Fosc value is small, the volume control change is slow. It is suggested that Rx=33K, Cx=2.2µF.

The table for the Rx, Cx and Fosc values are given below:

Rx	Cx	Fosc
33K	1.0µF	34.1Hz
33K	2.2µF	17.8Hz
33K	10µF	3.4Hz

Rx	Cx	Fosc
33K	1.0µF	34.1Hz
51K	1.0µF	22.7Hz
100K	1.0µF	11.8Hz



ORDER INFORMATION

Part Number	Package	Top Code
PT2256	16 Pins, DIP, 300mil	PT2256
PT2256-S	16 Pins, SOP, 300mil	PT2256-S
PT2256-SN	16 Pins, SOP, 150mil	PT2256-SN
PT2256 (L)	16 Pins, DIP, 300mil	PT2256
PT2256-S (L)	16 Pins, SOP, 300mil	PT2256-S
PT2256-SN (L)	16 Pins, SOP, 150mil	PT2256-SN

Notes:

1. (L), (C) or (S) = Lead Free.
2. The Lead Free mark is put in front of the date code.