



DESCRIPTION

PT6955 is an LED Controller driven on a 1/4 to 1/7 duty factor. Twelve/nine segment output lines, 4 to 7 grid output lines, one display memory, control circuit are all incorporated into a single chip to build a highly reliable peripheral device for a single chip microcomputer. Serial data is fed to PT6955 via a three-line serial interface. Housed in a 24-pin SOP, PT6955's pin assignments and application circuit are optimized for easy PCB Layout and cost saving advantages.

FEATURES

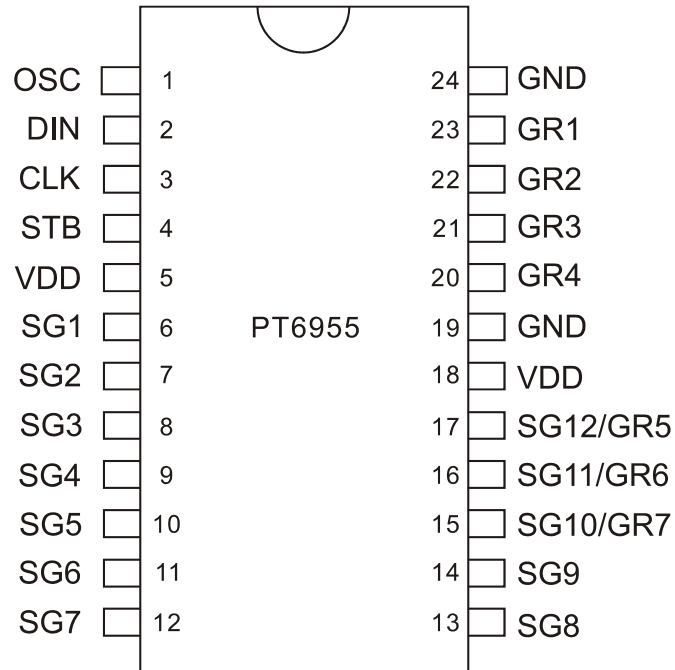
- CMOS Technology
- Low Power Consumption
- 8-Step Dimming Circuitry
- Serial Interface for Clock, Data Input, Strobe Pins
- Available in 24-pin, SOP

APPLICATIONS

- Micro-computer Peripheral Device

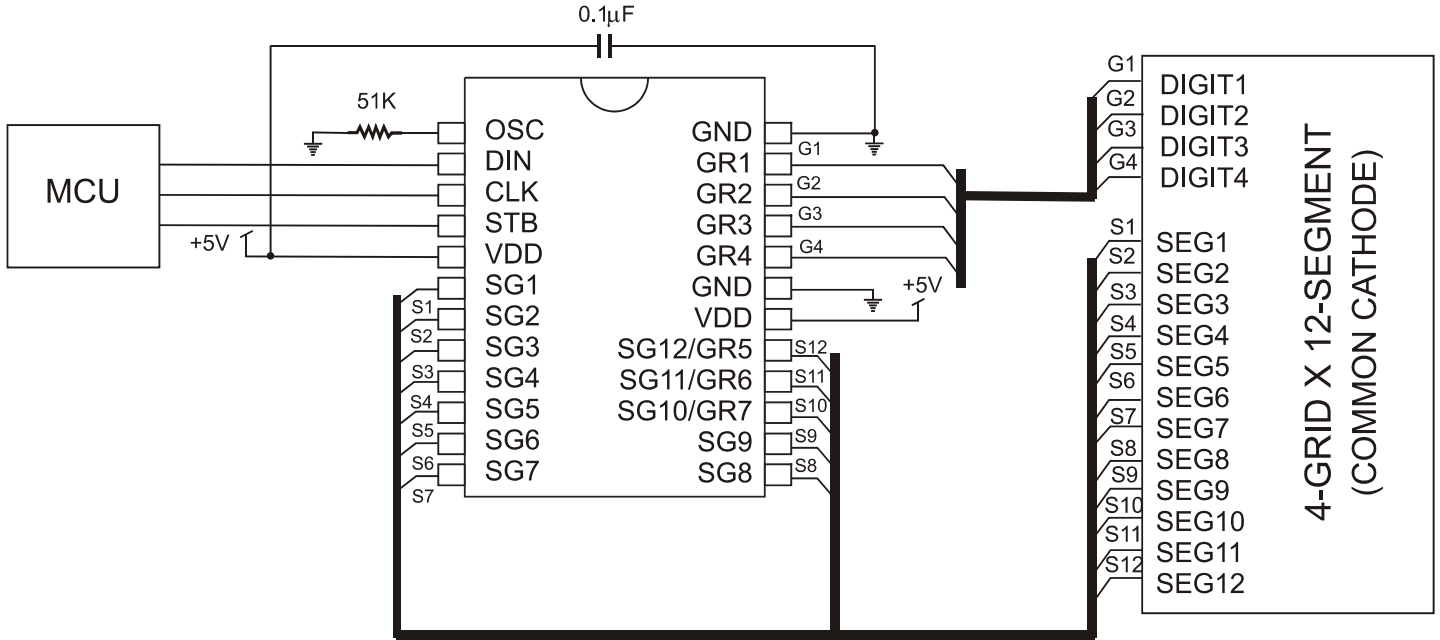


PIN CONFIGURATION





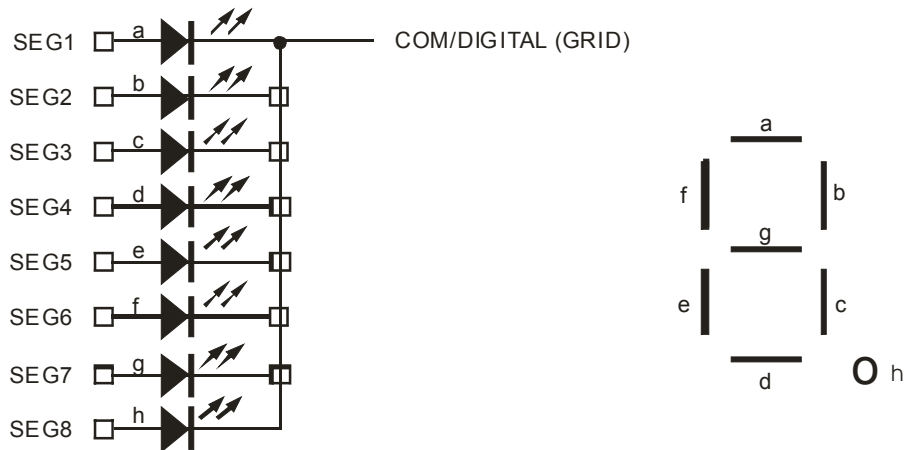
APPLICATION CIRCUIT



Note:

1. The capacitor (0.1µF) connected between the GND and VDD Pins must be located as near as possible to the PT6955 chip.
2. The PT6955 power supply is separate from the application system power supply.

COMMON CATHODE TYPE LED PANEL





ORDER INFORMATION

Valid Part Number	Package Type	Top Code
PT6955	24pins, SOP, 300mil	PT6955
PT6955 (L)	24pins, SOP, 300mil	PT6955

Notes:

1. (L), (S) or (C) = Lead Free.
2. The Lead Free mark is put in front of the date code.