



DESCRIPTION

PT2240 is programmable encoder utilizing CMOS Technology specially designed for remote control applications. It has a maximum of 2^{22} Address which may be designed by a one-time programmable process. It can support up to 8 Data Bits and is housed in 8 or 16-pin DIP or SOP. It encodes address and data codes into a coded waveform suitable for RF modulation. The pin assignments and application circuit are optimized for easy PCB Layout and cost saving advantage. Furthermore, PT2240's intrinsic feature of being able to support 2/3/4/6/8 data bits considerably reduces inventory pressures.

FEATURES

- CMOS technology
- Low power consumption
- Least external components
- High noise immunity
- Single resistor oscillator
- Operating voltage: 1.8~15V
- Up to 8 data pins
- Up to 2^{22} address codes
- One-time programmable process
- Available in SOP or DIP
- Reduction of inventory pressures

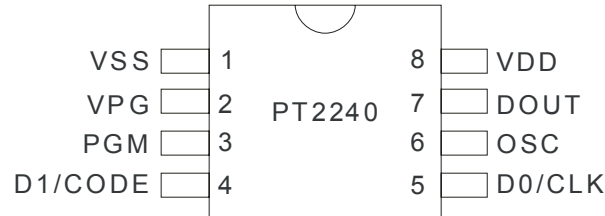
APPLICATIONS

- Burglar alarm system
- Car security system
- Car/Garage door controller
- Home/Office security system
- Personal alarm system

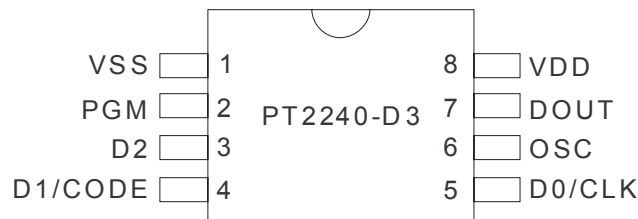


PIN CONFIGURATION

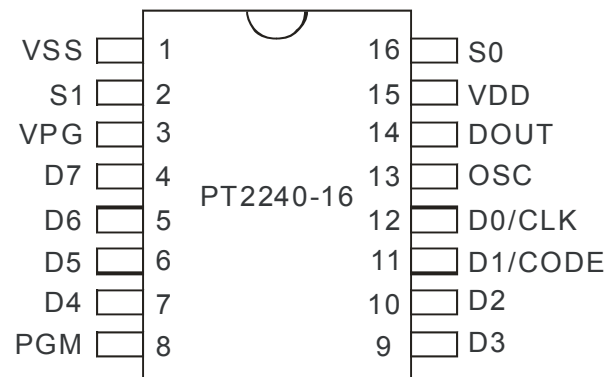
PT2240, 8 PINS



PT2240-D3, 8 PINS



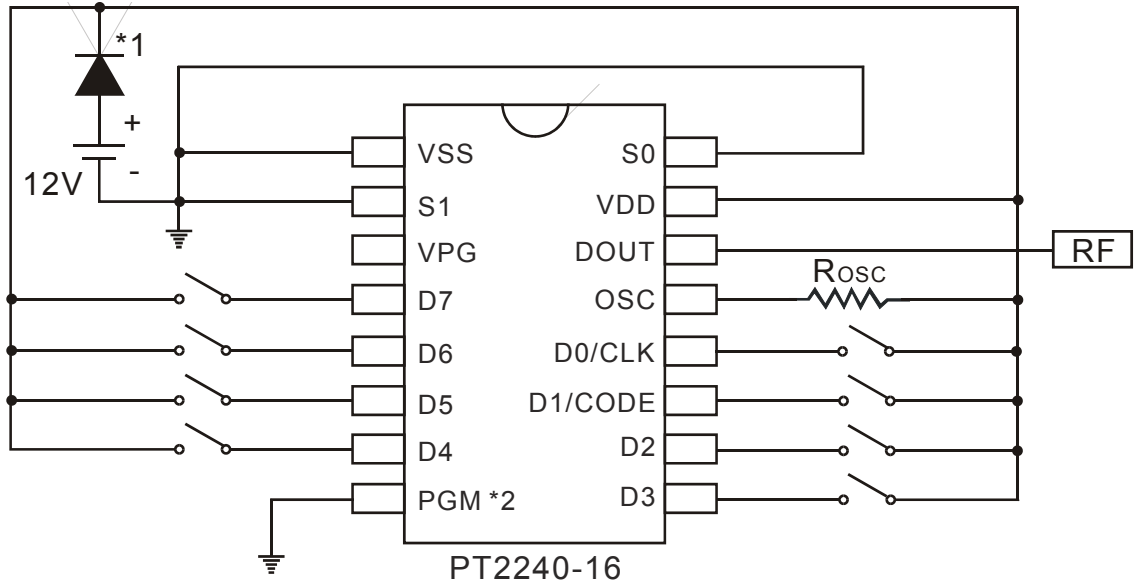
PT2240, 16 PINS



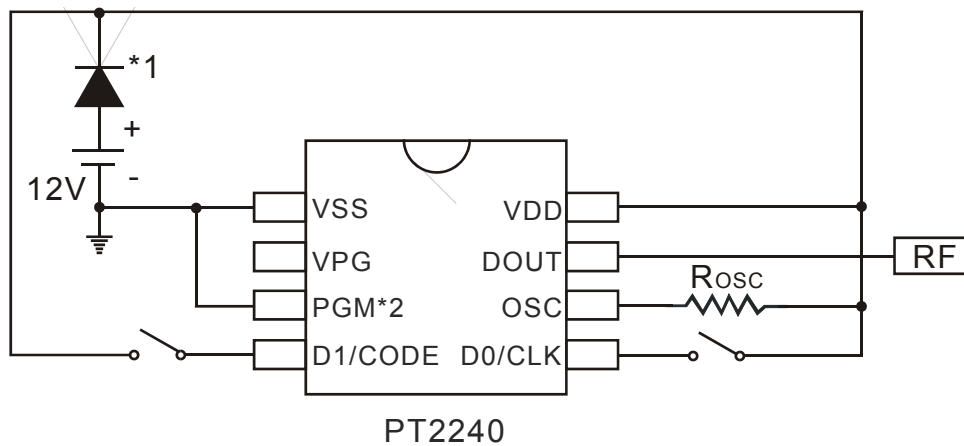


APPLICATION CIRCUIT

16 PINS, 8 DATA



8 PINS, 2 DATA

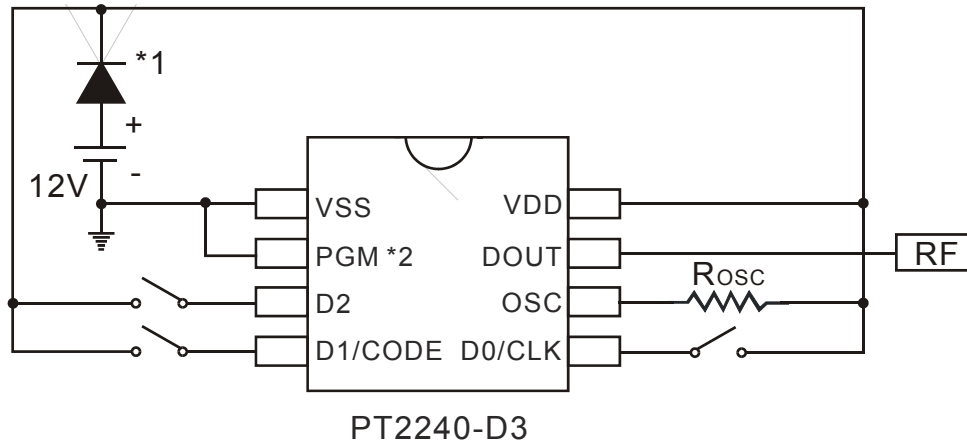




Programmable Encoder IC

PT2240

8 PINS, 3 DATA



Notes:

1. In order that IC protection is assured, please make sure that a diode is connected between the battery and the VDD. If the diode is not connected and the battery polarity was inverted, then the IC will fail.
2. In order to avoid unexpected programming, we suggest PGM pin connects with ground (VSS) to avoid PGM pin changed to "High level" and cause into "programming mode".



ORDER INFORMATION

Valid Part Number	Package Type	Top Code	Address Codes
PT2240P-D3 (L)	8 Pins, DIP, 300mil	PT2240P-D3	Programmed
PT2240P-D3S (L)	8 Pins, SOP, 150mil	PT2240P-D3S	Programmed
PT2240P (L)	8 Pins, DIP, 300mil	PT2240P	Programmed
PT2240P-S (L)	8 Pins, SOP, 150mil	PT2240P-S	Programmed
PT2240P-16 (L)	16 Pins, DIP, 300mil	PT2240P-16	Programmed
PT2240P-16S (L)	16 Pins, SOP, 150mil	PT2240P-16S	Programmed

Notes:

1. (L), (C) or (S) = Lead Free
2. The Lead Free mark is put in front of the date code.