



DESCRIPTION

PT2260 is a remote control encoder paired with either PT2270 or PT2272 utilizing CMOS Technology. It encodes data and address pins into a serial coded waveform suitable for RF modulation. PT2260 has a maximum of 10 bits tri-state address pins providing up to 59,049 (or 3^{10}) address codes; thereby, drastically reducing any code collision and unauthorized code scanning possibilities.

PT2260 is one of the first generation of Encoder/Decoder ICs that utilizes the unique PTC Technology. When paired with PT2270, this encoder/decoder (PT2260/PT2270) pair can operate at very wide temperature range (see Features). Thus, this very important feature enables your Encoder/Decoder to operate under the worst environmental condition.

FEATURES

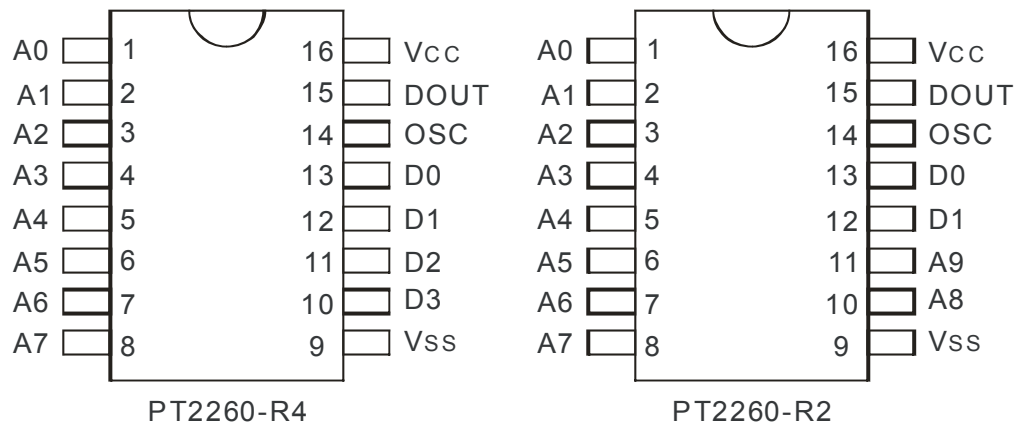
- High performance CMOS technology
- Low power consumption
- Very high noise immunity
- Wide operating temperature range: $-40^{\circ}\text{C} \sim 85^{\circ}\text{C}$
- 8 or 10 Tri-State code address pins
- 2 or 4 data pins
- Wider range of operating voltage: 1.8 ~ 10.0V
- Single resistor oscillator
- Least external components

APPLICATIONS

- Home/Car security system
- Garage door controller
- Remote fan controller
- Remote control toys

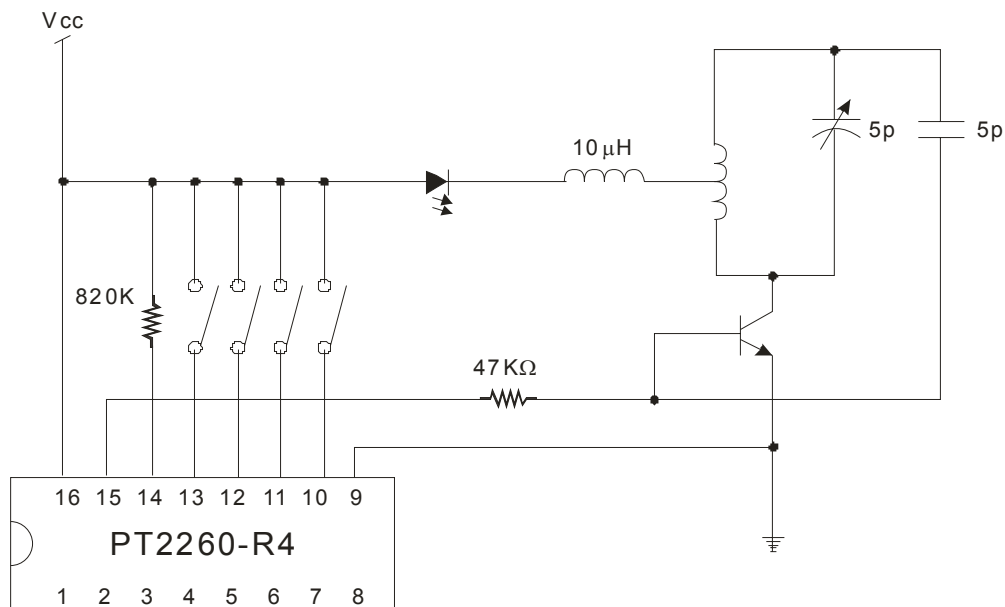


PIN CONFIGURATION





APPLICATION CIRCUIT



UHF Band 4-Data Transmitter Circuit is recommended.



ORDER INFORMATION

Valid Part Number	Package	Top Code
PT2260-D (L)	16 Pins, DIP, 300mil	PT2260-D
PT2260-R2 (L)	16 Pins, DIP, 300mil	PT2260-R2
PT2260-R4 (L)	16 Pins, DIP, 300mil	PT2260-R4
PT2260-R2S (L)	16 Pins, SOP, 150mil	PT2260-R2S
PT2260-R4S (L)	16 Pins, SOP, 150mil	PT2260-R4S

Notes:

1. R: RF Application.
2. 2: 2 Data Pins; 4: 4 Data Pins.
3. (L), (C) or (S) = Lead Free.
4. The Lead Free mark is put in front of the date code.