



DESCRIPTION

PT6312 is a Vacuum Fluorescent Display (VFD) Controller driven on a 1/4 to 1/11 duty factor. Eleven segment output lines, 6 grid output lines, 5 segment/grid output drive lines, one display memory, control circuit, key scan circuit are all incorporated into a single chip to build a highly reliable peripheral device for a single chip micro computer. Serial data is fed to PT6312 via a three-line serial interface. It is housed in a 44-pin plastic LQFP Package and is functionally compatible with μ PD16312.

FEATURES

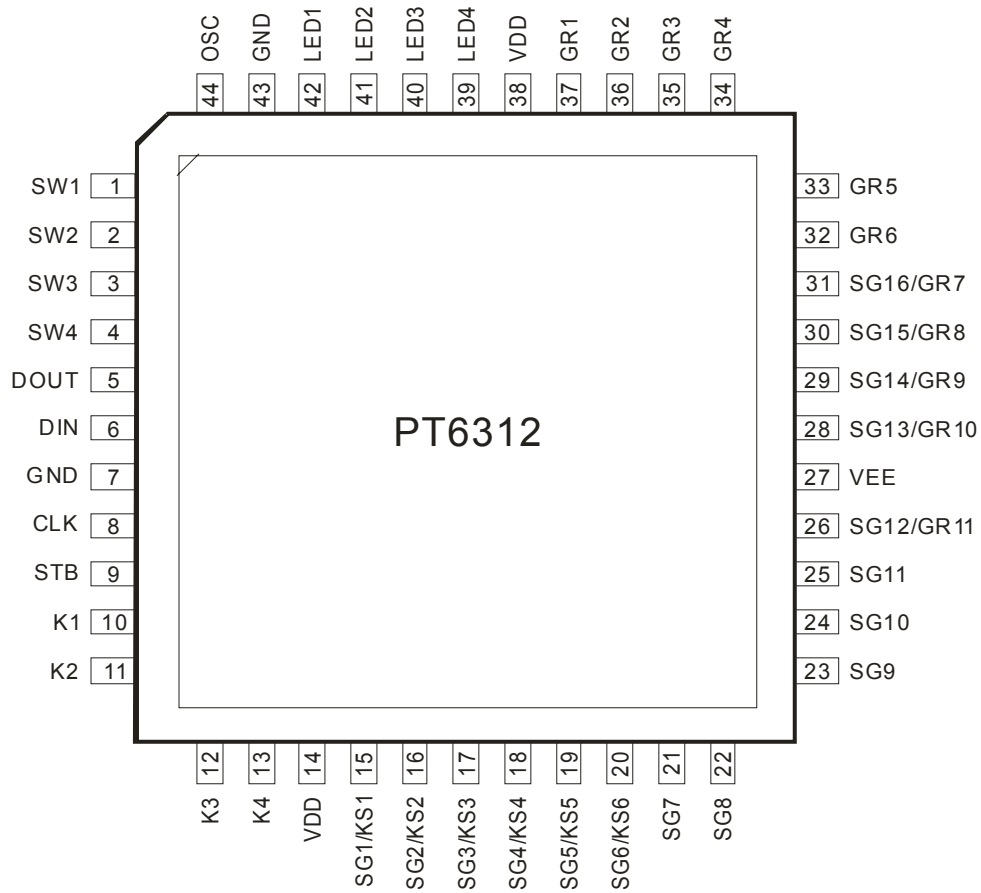
- CMOS technology
- Low power consumption
- Key scanning (6 x 4 matrix)
- Multiple display modes: (11 segments, 11 digits to 16 segments, 6 digits)
- 8-Step dimming circuitry
- LED ports provided (4 channels, 20mA max.)
- 4- Bits general purpose input ports provided
- Serial interface for Clock, Data Input, Data Output, Strobe pins
- No external resistors needed for driver outputs
- Functional compatibility with μ PD16312
- Available in 44-pin, LQFP package

APPLICATION

- Microcomputer peripheral devices

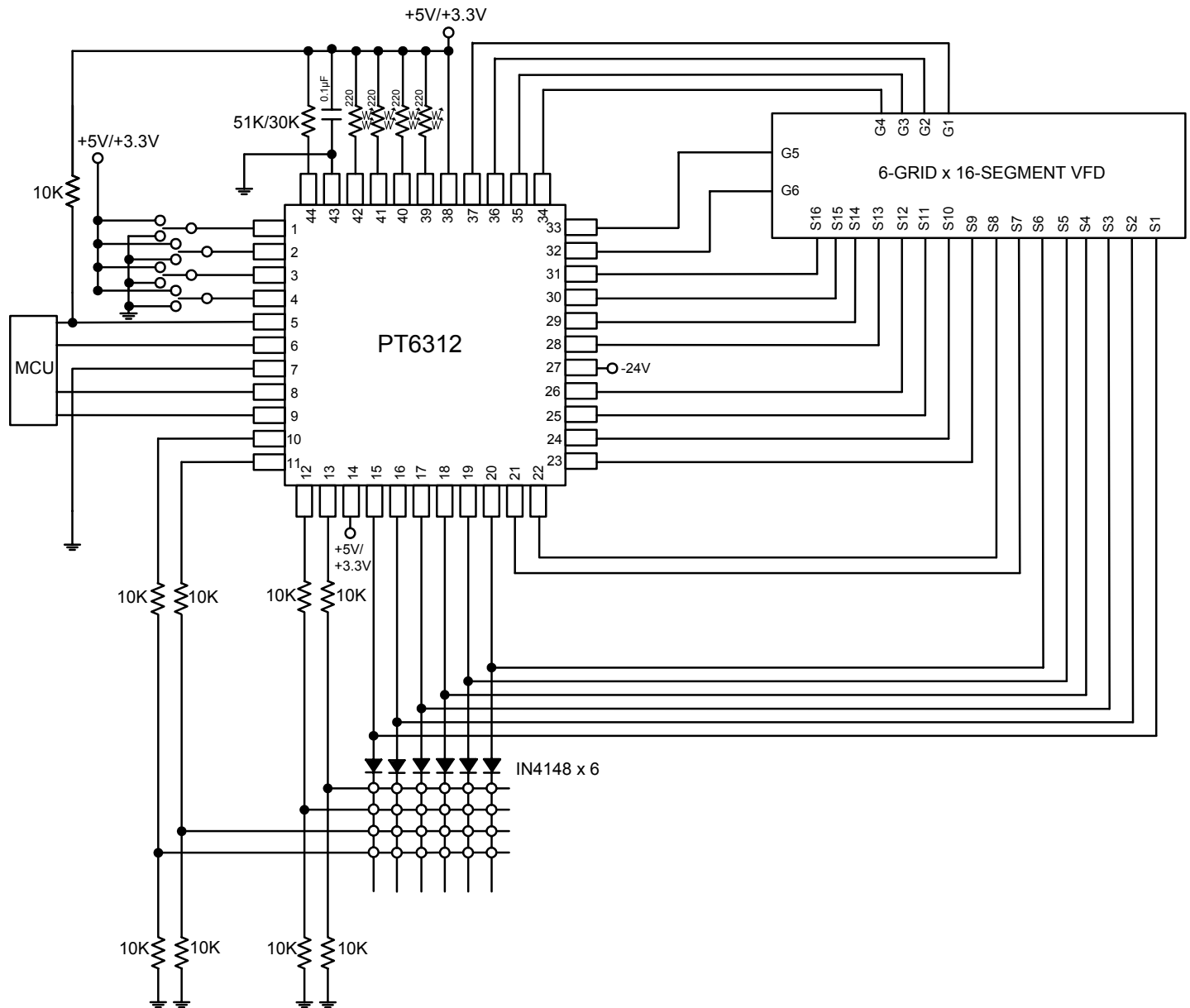


PIN CONFIGURATION





6-GRID X 6-SEGMENT VFD APPLICATION CIRCUIT





ORDER INFORMATION

Valid Part Number	Package Type	Top Code
PT6312LQ	44-pin, LQFP	PT6312LQ
PT6312LQ (L)	44-pin, LQFP	PT6312LQ

Notes:

1. (L), (C) or (S) = Lead Free.
2. The Lead Free mark is put in front of the date code.