



DESCRIPTION

PT6958 is an LED Controller driven on a 1/6 duty factor. Ten segment output lines, five grid output lines, one display memory, control circuit, key scan circuit are all incorporated into a single chip to build a highly reliable peripheral device for a single chip microcomputer. Serial data is fed to PT6958 via a three-line serial interface. Housed in a 28-pin SOP, PT6958's pin assignments and application circuit are optimized for easy PCB Layout and cost saving advantages.

FEATURES

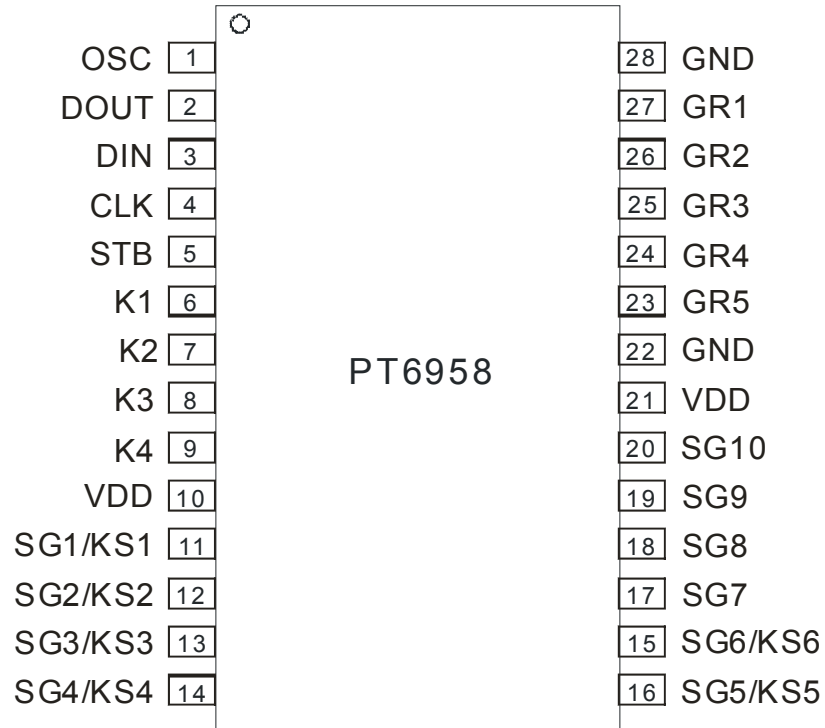
- CMOS Technology
- Low Power Consumption
- Up to 10 Segment Output Drivers
- Up to 5 Grid Output Drivers
- Key Scanning (6 x 4 Matrix)
- 8-Step Dimming Circuitry
- Serial Interface for Clock, Data Input, Data Output, Strobe Pins
- Available in 28 pins, SOP

APPLICATIONS

- Micro-computer Peripheral Device

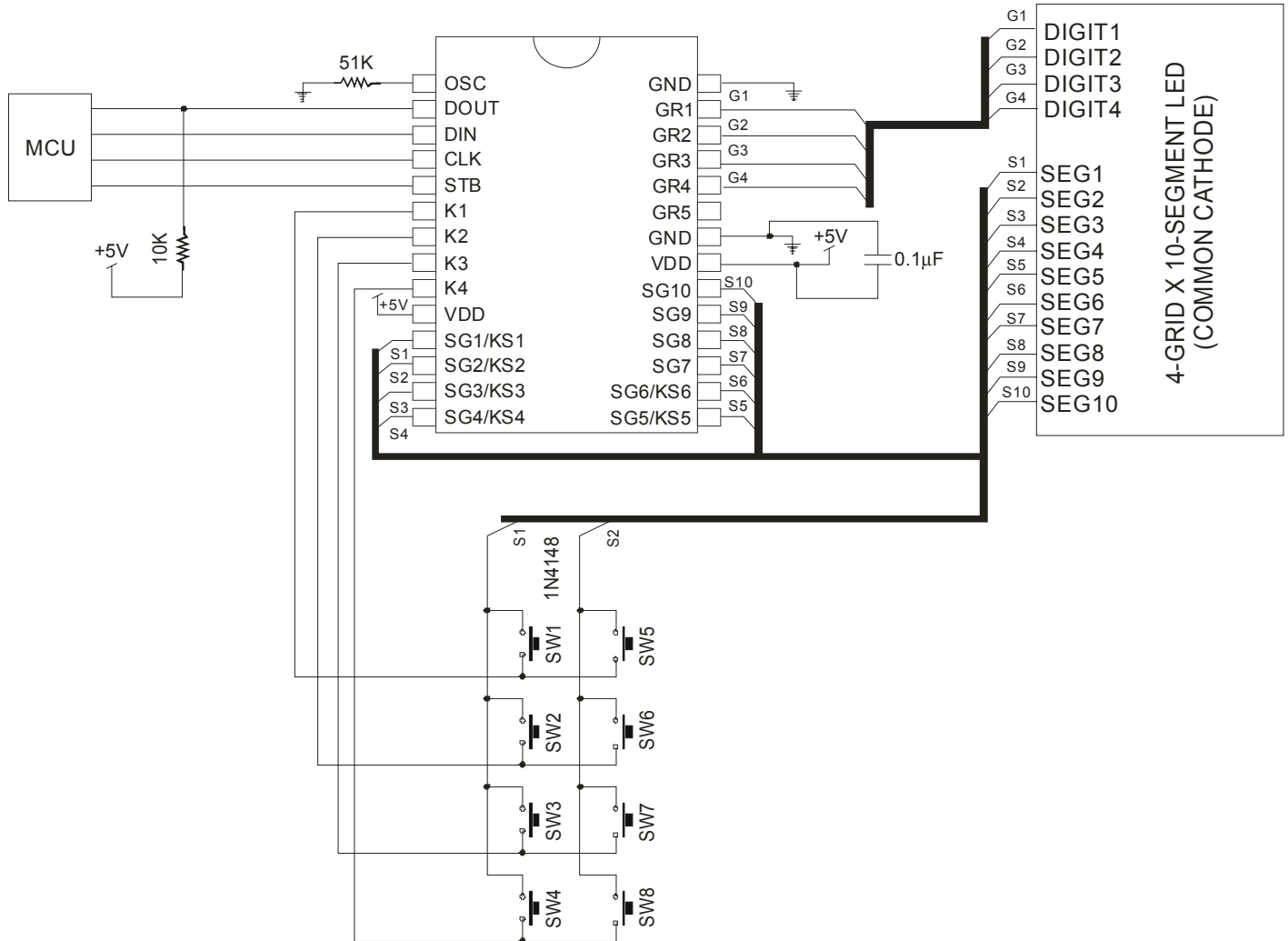


PIN CONFIGURATION





APPLICATION CIRCUIT



Note:

1. The external capacitor (0.1µF) that is connected between the GND and the VDD pins must be located as close to the PT6958 chip as possible.
2. The PT6958 power supply is separate from the application system power supply.



ORDER INFORMATION

Valid Part Number	Package Type	Top Code
PT6958	28pins, SOP, 300mil	PT6958
PT6958 (L)	28pins, SOP, 300mil	PT6958

Notes:

1. (L), (C) or (S) = Lead Free.
2. The Lead Free mark is put in front of the date code.