



DESCRIPTION

PT6315-S is a Vacuum Fluorescent Display (VFD) Controller driven on a 1/4 to 1/8 duty factor. Eight segment output lines, 4 grid output lines, 4 segment/grid output drive lines, one display memory, control circuit, key scan circuit are all incorporated into a single chip to build a highly reliable peripheral device for a single chip micro computer. Serial data is fed to PT6315-S via a three-line serial interface. It is housed in a 28pins, SOP.

FEATURES

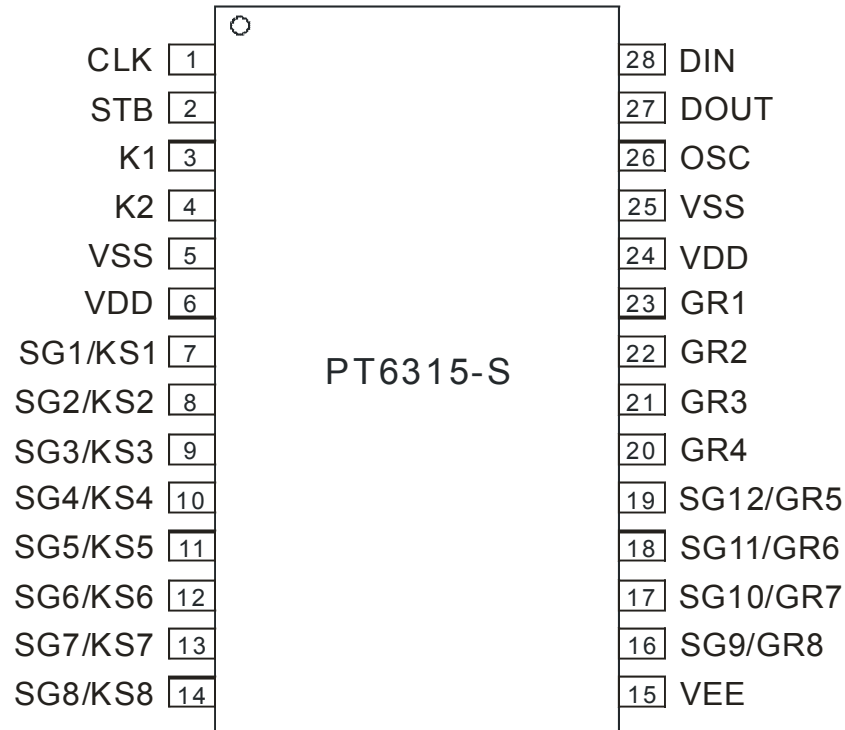
- CMOS Technology
- Low Power Consumption
- Key Scanning (8 x 2 matrix)
- Multiple Display Modes: (8 Segments, 8 Digits to 12 Segments, 4 Digits)
- 8-Step Dimming Circuitry
- Serial Interface for Clock, Data Input, Data Output, Strobe Pins
- No External Resistors Needed for Driver Outputs
- Available in 28pins, SOP

APPLICATION

- Microcomputer Peripheral Devices

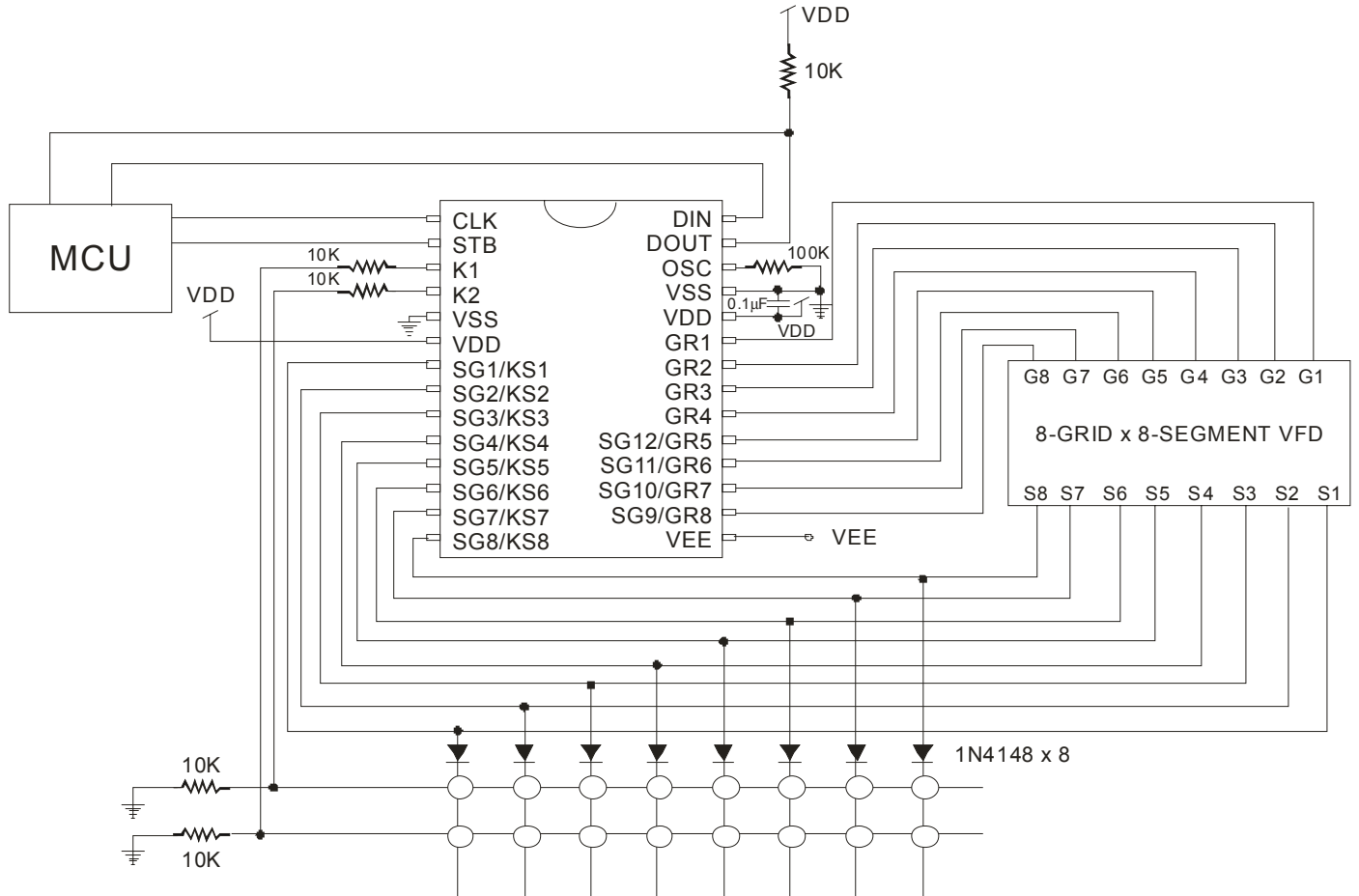


PIN CONFIGURATION





APPLICATION CIRCUIT





ORDER INFORMATION

Order Part Number	Package Type	Top Code
PT6315-S	28 Pins, SOP, 300mil	PT6315-S
PT6315-S (L)	28 Pins, SOP, 300mil	PT6315-S

Notes:

1. (L), (C) or (S) = Lead Free.
2. The Lead Free mark is put in front of the date code.