



DESCRIPTION

PT6959 is an LED Controller driven on a 1/4 to 1/7 duty factor. Fourteen to eleven segment output lines, 4 to 7 grid output lines, one display memory, control circuit are all incorporated into a single chip to build a highly reliable peripheral device for a single chip microcomputer. Serial data is fed to PT6959 via a three-line serial interface. Housed in a 28-pin SOP, PT6959's pin assignments and application circuit are optimized for easy PCB Layout and cost saving advantages.

FEATURES

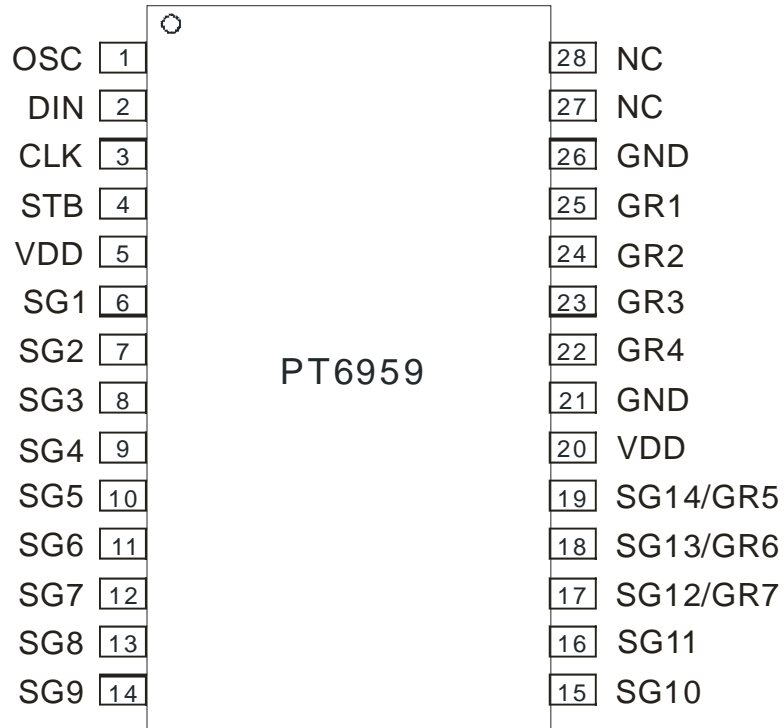
- CMOS technology
- Low power consumption
- 8-step dimming circuitry
- Serial interface for clock, data input, strobe pins
- Available in 28-pin, SOP

APPLICATIONS

- Microcomputer peripheral devices

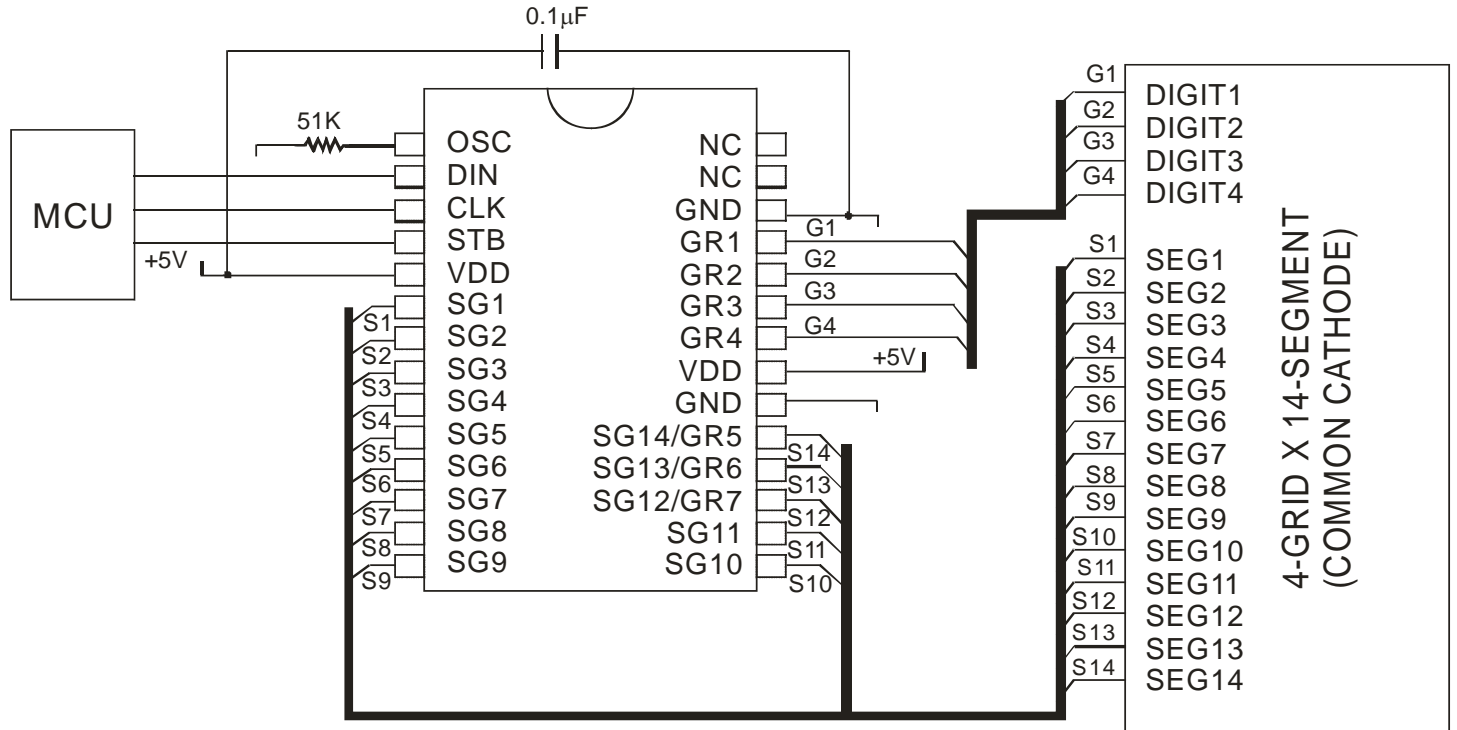


PIN CONFIGURATION



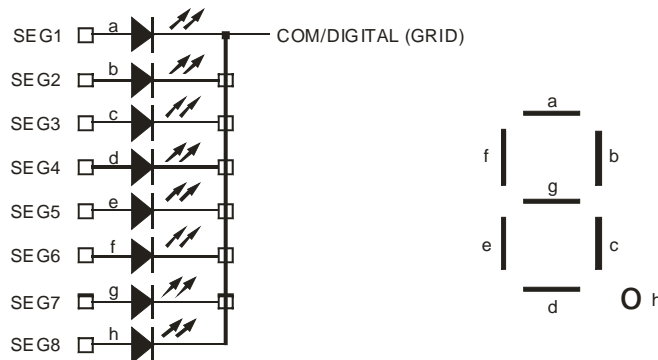


APPLICATION CIRCUIT



Note:

1. The capacitor (0.1µF) connected between the GND and VDD Pins must be located as near as possible to the PT6959 chip.
2. The PT6959 power supply is separate from the application system power supply.





ORDER INFORMATION

Valid Part Number	Package Type	Top Code
PT6959	28 Pins, SOP, 300mil	PT6959
PT6959 (L)	28 Pins, SOP, 300mil	PT6959

Notes:

1. (L), (C) or (S) = Lead Free.
2. The Lead Free mark is put in front of the date code.