



DESCRIPTION

The PT2607 Encoder Series are tri-state remote control encoder ICs utilizing CMOS Technology. It encodes data and address pins into a serially encoded waveform suitable for RF modulation. PT2607 supports up to a maximum 12 address and 8 address/data bits. Housed in either 18, 20 or 24 pins, SOP or DIP Package, PT2607's pin assignments and application circuit are optimized for easy PCB Layout and cost saving benefits.

FEATURES

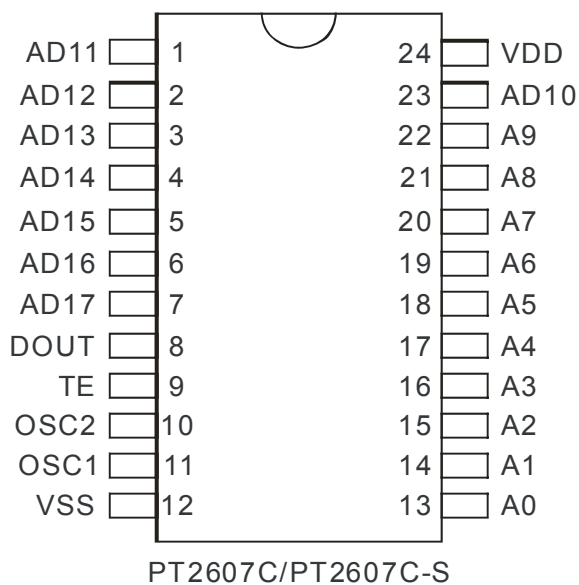
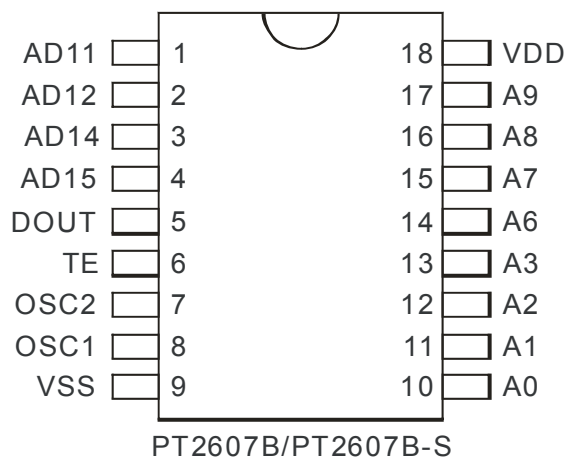
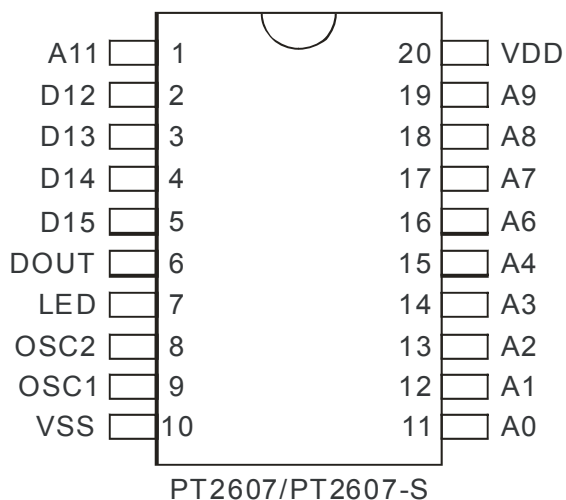
- CMOS technology
- Low power consumption
- Operating voltage: 2.4 to 15V
- Low standby current
- Three words transmission
- Built-in oscillator
- Least external components
- Available in 18, 20 or 24 pins, DIP or SOP package
- Easy to use

APPLICATIONS

- Burglar alarm system
- Car/Motorcycle security system
- Home/Office security system
- Smoke & fire alarm system
- Toy/Garage door remote controller
- Cordless telephone
- Object finder
- Remote switch
- Remote control for industrial use
- Automation system



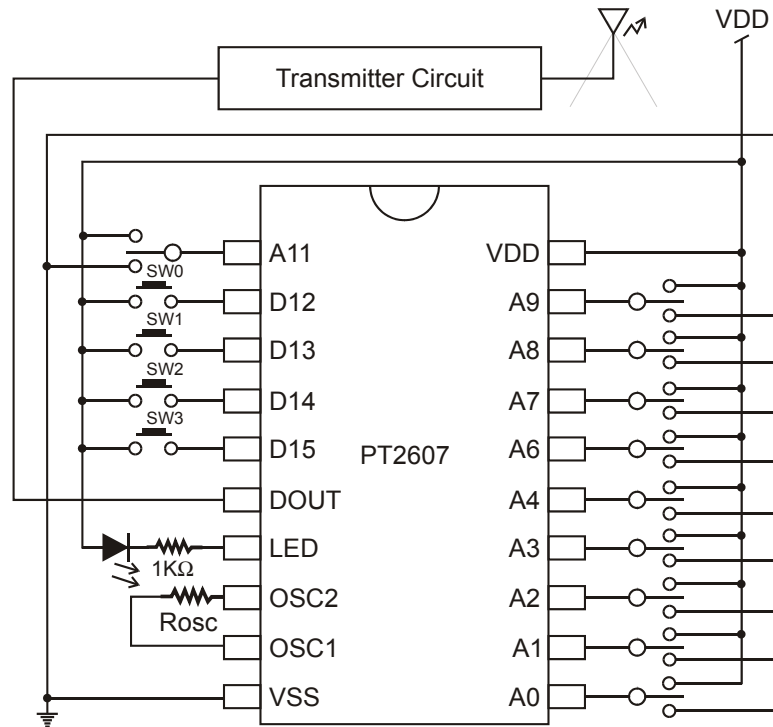
PIN CONFIGURATION



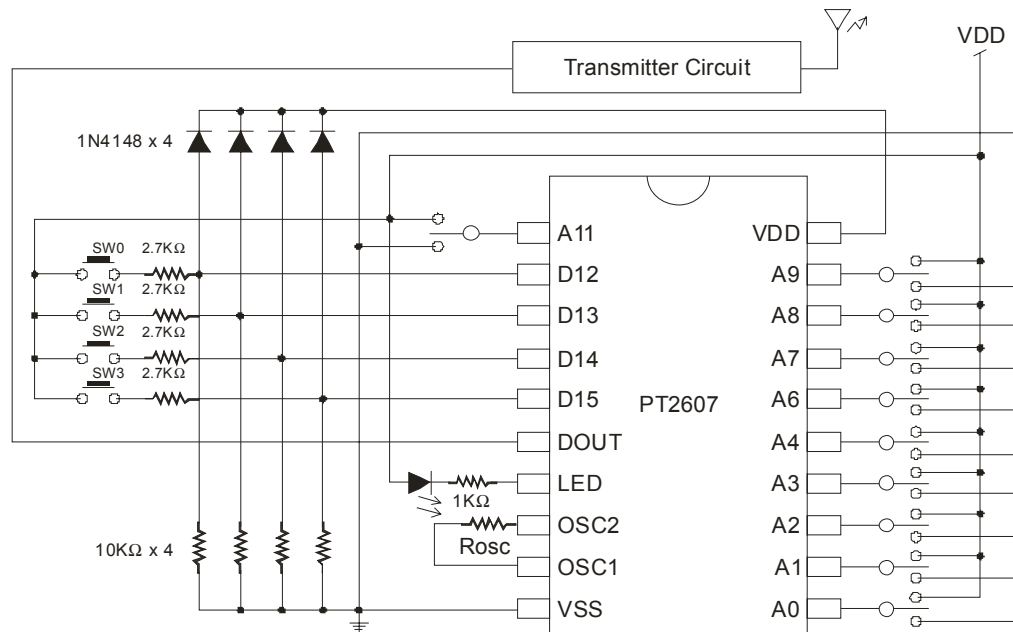


APPLICATION CIRCUIT

PT2607-1

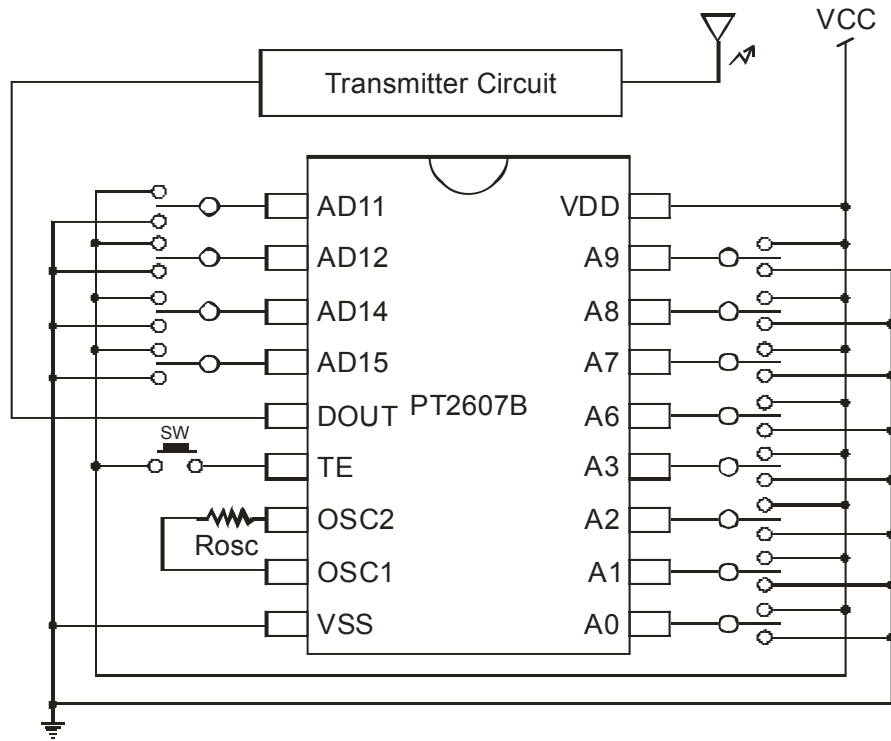


PT2607-2

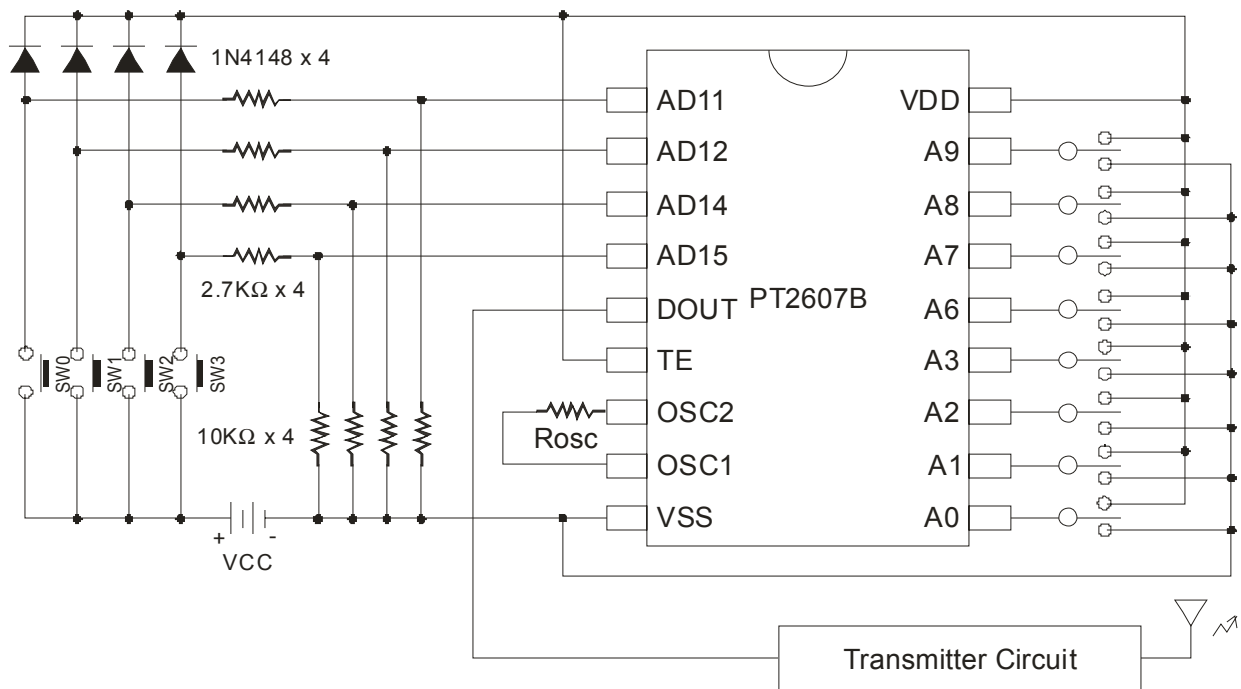




PT2607B -1



PT2607B-2

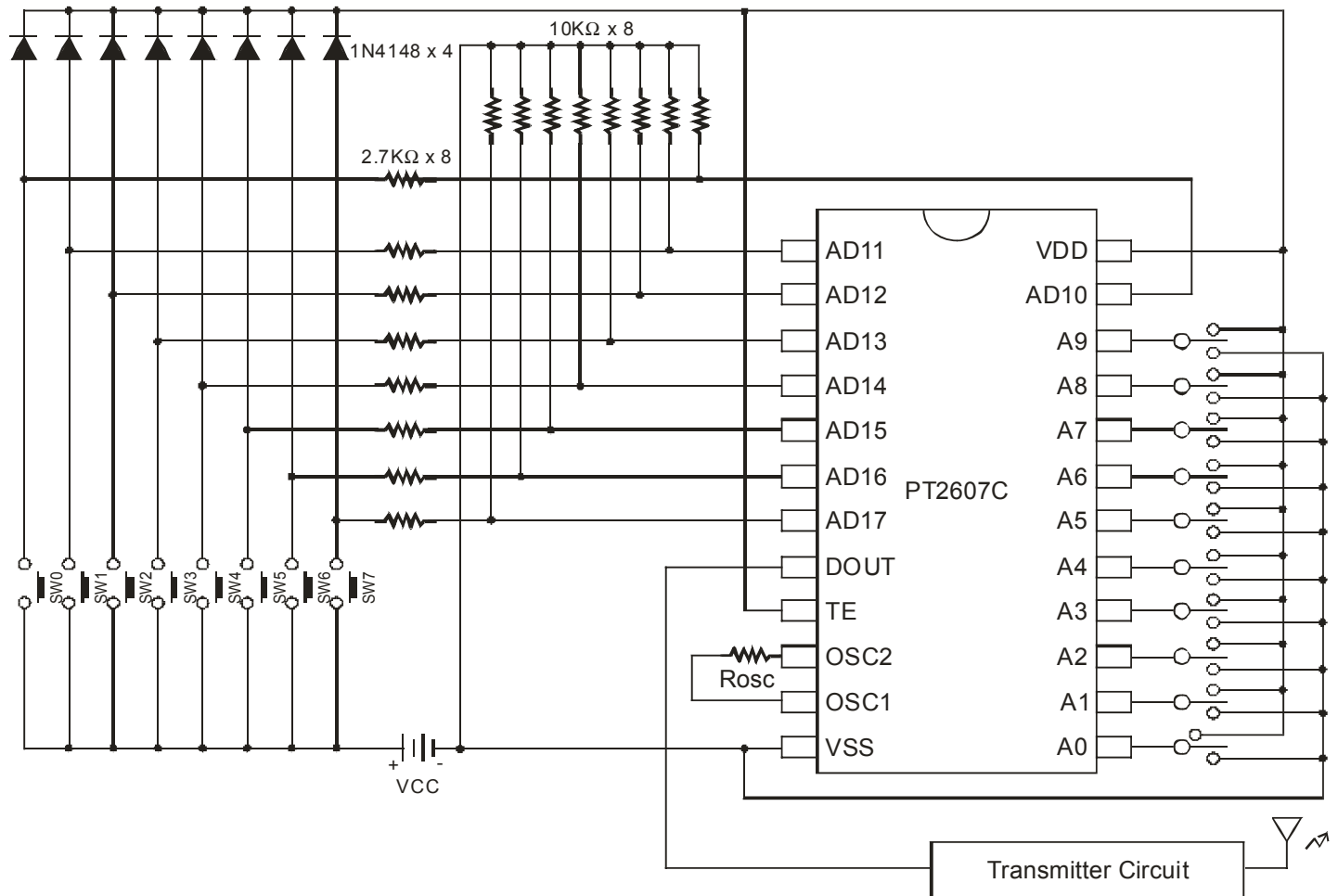




Remote Control Encoder IC

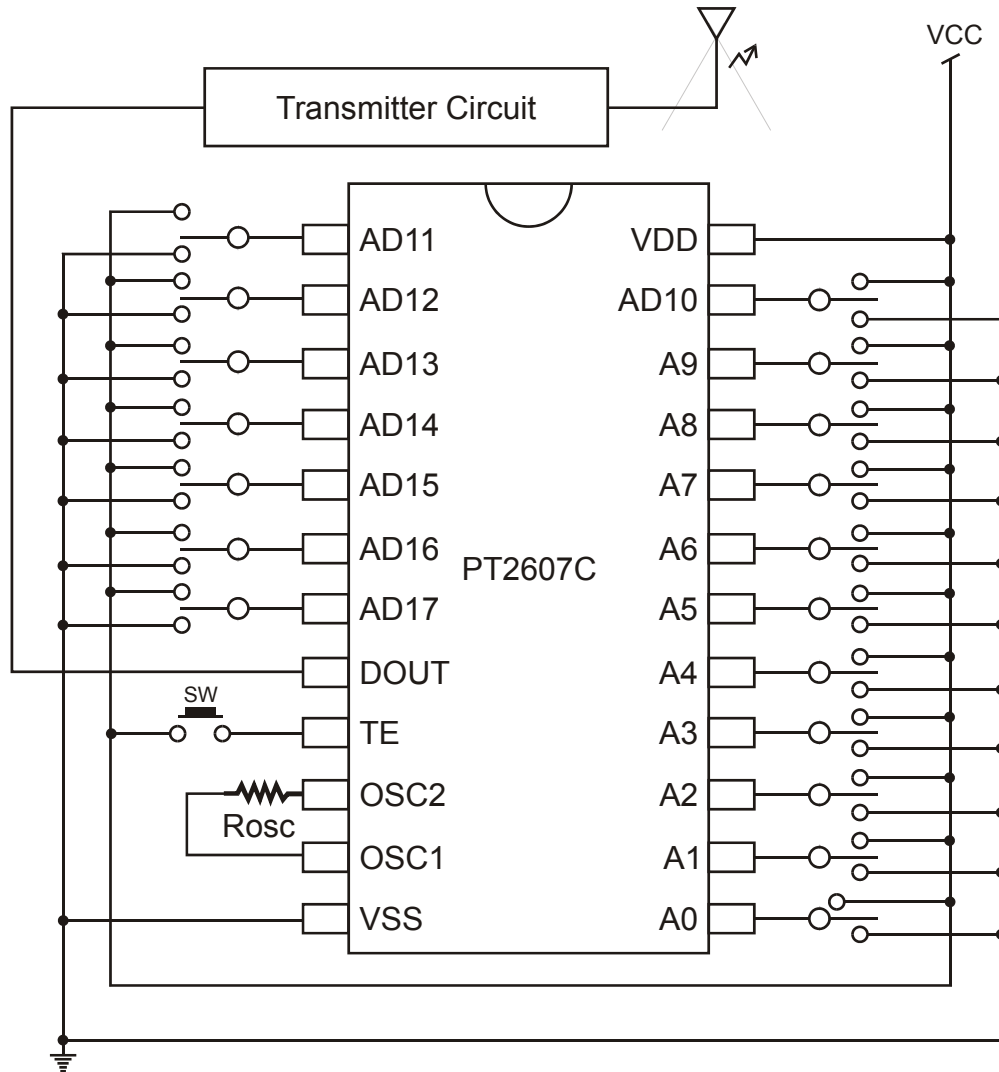
PT2607

PT2607C-1





PT2607C-2





ORDER INFORMATION

Valid Part Number	Package Type	Top Code
PT2607 (L)	20 Pins, DIP, 300mil	PT2607
PT2607-S (L)	20 Pins, SOP, 300mil	PT2607-S
PT2607-B (L)	18 Pins, DIP, 300mil	PT2607B
PT2607B-S (L)	18 Pins, SOP, 300mil	PT2607B-S
PT2607-C (L)	24 Pins, DIP, 300mil	PT2607C
PT2607C-S (L)	24 Pins, SOP, 300mil	PT2607C-S

Notes:

1. (L), (C) or (S) = Lead Free.
2. The Lead Free mark is put in front of the date code.