



## DESCRIPTION

The PT2257 is an electronic volume controller IC utilizing CMOS technology specially designed for the new generation of AV entertainment products. It has two (2) built-in channels making it ideally suitable for mono and stereo sound applications. The PT2257 provides an I<sup>2</sup>C control interface, an attenuation range of 0 to -79dB, low noise, and high channel separation. It is housed in an 8 pins, DIP or SOP package, The PT2257's pin assignments and application circuit are optimized for easy PCB layout and cost saving advantages.

## FEATURES

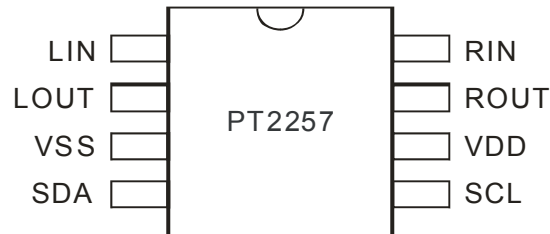
- CMOS technology
- Low power consumption
- Least external components
- Attenuation range: 0 to -79dB at 1dB/step
- Operating voltage: 3 to 9V
- Low Noise, S/N Ratio>100dB (A-weighting)
- Two channel output
- Available in 8 pins, DIP or SOP

## APPLICATIONS

- AV surround audio equipment
- Car audio
- Mini compo
- Computer multi-media speaker
- Other audio equipment



## PIN CONFIGURATION

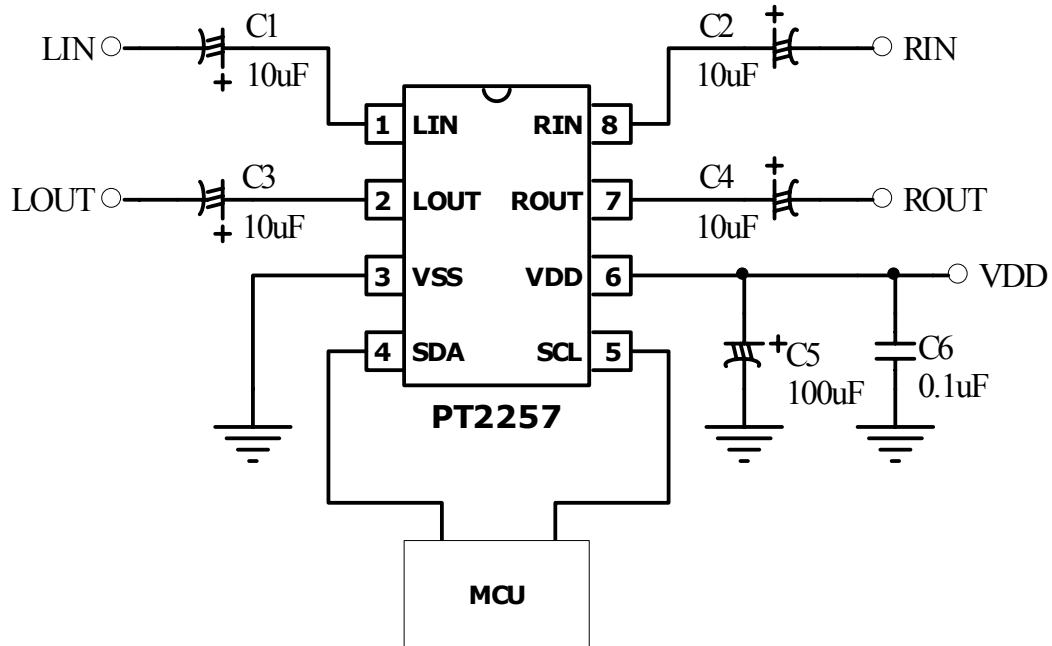


## PIN DESCRIPTION

Pin Name	I/O	Description	Pin No.
L <sub>IN</sub>	I	Left input channel Connect a capacitor to audio source	1
L <sub>OUT</sub>	O	Left output channel Connect a capacitor to audio output	2
V <sub>SS</sub>	-	Ground	3
SDA	I	I <sup>2</sup> C data input	4
SCL	I	I <sup>2</sup> C clock input	5
V <sub>DD</sub>	-	Power supply	6
R <sub>OUT</sub>	O	Right output channel Connect a capacitor to audio output	7
R <sub>IN</sub>	I	Right input channel Connect a capacitor to audio source	8



## APPLICATION CIRCUIT





## ORDER INFORMATION

Valid Part Number	Package Type	Top Code
PT2257 (L)	8 Pins, DIP, 300mil	PT2257
PT2257-S (L)	8 Pins, SOP, 150mil	PT2257-S

Notes:

1. (L), (C) or (S) = Lead Free
2. The Lead Free mark is put in front of the date code.