

DATA SHEET

PCK2002

0–300 MHz I²C 1:18 clock buffer

Product data

2001 Jul 19

File under Integrated Circuits ICL03

0–300 MHz I²C 1:18 clock buffer

PCK2002

FEATURES

- HIGH speed, LOW noise non-inverting 1–18 buffer
- Typically used to support four SDRAM DIMMs
- Multiple V_{DD}, V_{SS} pins for noise reduction
- 3.3 V operation
- Separate 3-State pin for testing
- ESD protection exceeds 2000 V per Standard 801.2
- Optimized for 66 MHz, 100 MHz and 133 MHz operation
- Typical 175 ps skew outputs
- Available in 48-pin SSOP and TSSOP packages
- See PCK2002M for mobile (reduced pincount) 28-pin 1-10 buffer version

- Spread spectrum compliant
- Individual clock output enable/disable via I²C

DESCRIPTION

The PCK2002 is a 1–18 fanout buffer used for 133/100 MHz CPU, 66/33 MHz PCI, 14.318 MHz REF, or 133/100/66 MHz SDRAM clock distribution. 18 outputs are typically used to support up to 4 SDRAM DIMMS commonly found in desktop, workstation or server applications.

All clock outputs meet Intel's drive, rise/fall time, accuracy, and skew requirements. An I²C interface is included to allow each output to be enabled/disabled individually. An output disabled via the I²C interface will be held in the LOW state. In addition, there is an OE input which 3-States all outputs.

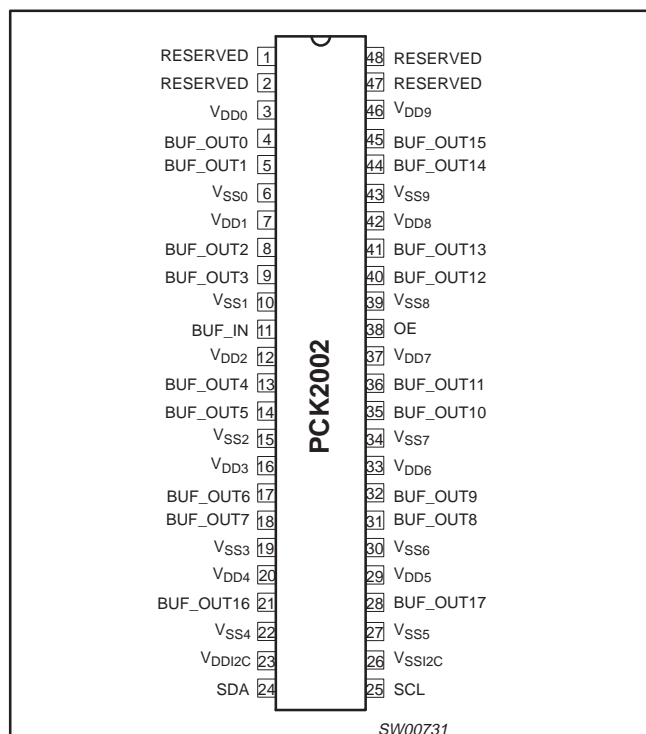
QUICK REFERENCE DATA

SYMBOL	PARAMETER	CONDITIONS	TYPICAL	UNIT
t _{PLH} t _{PHL}	Propagation delay BUF_IN to BUF_OUT _n	V _{CC} = 3.3 V, CL = 30 pF	2.7 2.9	ns
t _r	Rise time	V _{CC} = 3.3 V, CL = 30 pF	1.1	ns
t _f	Fall time	V _{CC} = 3.3 V, CL = 30 pF	1.0	ns
I _{CC}	Total supply current	V _{CC} = 3.465 V	35	μA

ORDERING INFORMATION

PACKAGES	TEMPERATURE RANGE	ORDER CODE	DRAWING NUMBER
48-Pin Plastic TSSOP	0 to +70 °C	PCK2002DGG	SOT362-1
48-Pin Plastic SSOP	0 to +70 °C	PCK2002DL	SOT370-1

PIN CONFIGURATION



PIN DESCRIPTION

PIN NUMBER	I/O TYPE	SYMBOL	FUNCTION
4, 5, 8, 9	Output	BUF_OUT (0–3)	Buffered clock outputs
13, 14, 17, 18	Output	BUF_OUT (4–7)	Buffered clock outputs
31, 32, 35, 36	Output	BUF_OUT (8–11)	Buffered clock outputs
40, 41, 44, 45	Output	BUF_OUT (12–15)	Buffered clock outputs
21, 28	Output	BUF_OUT (16–17)	Buffered clock outputs
11	Input	BUF_IN	Buffered clock input
38	Input	OE	Active high output enable
24	I/O	SDA	I ² C serial data
25	Input	SCL	I ² C serial clock
3, 7, 12, 16, 20, 29, 33, 37, 42, 46	Input	V _{DD} (0–9)	3.3 V Power supply
6, 10, 15, 19, 22, 27, 30, 34, 39, 43	Input	V _{SS} (0–9)	Ground
23	Input	V _{DDI2C}	3.3 V I ² C Power supply
26	Input	V _{SSI2C}	I ² C Ground
1, 2, 47, 48	n/a	RESERVED	Undefined

I²C is a trademark of Philips Semiconductors Corporation.

0–300 MHz I²C 1:18 clock buffer

PCK2002

FUNCTION TABLE

OE	BUF_IN	I ² CEN	BUF_OUTn
L	X	X	Z
H	L	X	L
H	H	H	H
H	H	L	L

ABSOLUTE MAXIMUM RATINGS^{1, 2}

In accordance with the Absolute Maximum Rating System (IEC 134)

Voltages are referenced to V_{SS} (V_{SS} = 0V)

SYMBOL	PARAMETER	CONDITION	LIMITS		UNIT
			MIN	MAX	
V _{DD}	DC 3.3 V supply voltage		-0.5	+4.6	V
I _{IK}	DC input diode current	V _I < 0		-50	mA
V _I	DC input voltage	Note 2	-0.5	+4.6	V
I _{OK}	DC output diode current	V _O > V _{DD} or V _O < 0		±50	mA
V _O	DC output voltage	Note 2	-0.5	V _{CC} + 0.5	V
I _O	DC output source or sink current	V _O ≥ 0 to V _{DD}		±50	mA
T _{STG}	Storage temperature range		-65	+150	°C
P _{TOT}	Power dissipation per package plastic medium-shrink SO (SSOP)	For temperature range: 0 to +70°C above +55°C derate linearly with 11.3mW/K		850	mW

NOTES:

- Stresses beyond those listed may cause permanent damage to the device. These are stress ratings only and functional operation of the device at these or any other conditions beyond those indicated under "recommended operating conditions" is not implied. Exposure to absolute-maximum-rated conditions for extended periods may affect device reliability.
- The input and output voltage ratings may be exceeded if the input and output current ratings are observed.

RECOMMENDED OPERATING CONDITIONS

SYMBOL	PARAMETER	CONDITIONS	LIMITS		UNIT
			MIN	MAX	
V _{DD}	DC 3.3 V supply voltage		3.135	3.465	V
C _L	Capacitive load		20	30	pF
V _I	DC input voltage range		0	V _{DD}	V
V _O	DC output voltage range		0	V _{DD}	V
T _{amb}	Operating ambient temperature range in free air		0	+70	°C

0–300 MHz I²C 1:18 clock buffer

PCK2002

DC CHARACTERISTICS

SYMBOL	PARAMETER	TEST CONDITIONS			LIMITS		UNIT
					T _{amb} = 0 to +70 °C		
		V _{DD} (V)	OTHER		MIN	MAX	
V _{IH}	HIGH level input voltage	3.135 to 3.465			2.0	V _{DD} + 0.3	V
V _{IL}	LOW level input voltage	3.135 to 3.465			V _{SS} – 0.3	0.8	V
V _{OH}	3.3V output HIGH voltage	3.135 to 3.465	I _{OH} = –1 mA		V _{CC} – 0.1	—	V
		3.135	I _{OH} = –36 mA		2.4	—	
V _{OL}	3.3V output LOW voltage	3.135 to 3.465	I _{OL} = 1 mA		—	0.1	V
		3.135	I _{OL} = 24 mA		—	0.4	
I _{OH}	Output HIGH current	3.135	V _{OUT} = 2.0 V		–54	–126	mA
		3.465	V _{OUT} = 3.135 V		–21	–46	
I _{OL}	Output LOW current	3.135 to 3.465	V _{OUT} = 1.0 V		49	118	mA
		3.135 to 3.465	V _{OUT} = 0.4 V		24	53	
±I _I	Input leakage current	3.465			—	±5	µA
±I _{OZ}	3-State output OFF-State current	3.465	V _{OUT} = V _{DD} or GND	I _O = 0	—	10	µA
I _{CC}	Quiescent supply current	3.465	V _I = V _{DD} or GND	I _O = 0	—	100	µA
ΔI _{CC}	Additional quiescent supply current given per control pin	3.135 to 3.465	V _I = V _{DD} – 0.6V	I _O = 0	—	500	µA

AC CHARACTERISTICS

SYMBOL	PARAMETER	TEST CONDITIONS		LIMITS			UNIT
				T _{amb} = 0 to +70 °C			
			NOTES	MIN	TYP ⁶	MAX	
T _{SDRISE}	SDRAM rise time		2, 4	1.5	2.0	4.0	V/ns
T _{SDFALL}	SDRAM fall time		2, 4	1.5	2.9	4.0	V/ns
T _{PLH}	SDRAM buffer LH propagation delay		4, 5	1.2	2.7	3.5	ns
T _{PHL}	SDRAM buffer HL propagation delay		4, 5	1.2	2.9	3.5	ns
T _{PZL} , T _{PZH}	SDRAM buffer enable time		4, 5	1.0	2.6	5.0	ns
T _{PLZ} , T _{PHZ}	SDRAM buffer disable time		4, 5	1.0	2.7	5.0	ns
DUTY CYCLE	Output Duty Cycle	Measured at 1.5 V	3, 4, 5	45	52	55	%
T _{SDSKW}	SDRAM Bus CLK skew		1, 4	—	150	250	ps
T _{DDSKW}	Device to device skew			—	—	500	ps

NOTES:

- Skew is measured on the rising edge at 1.5 V.
- T_{SDRISE} and T_{SDFALL} are measured as a transition through the threshold region V_{OL} = 0.4 V and V_{OH} = 2.4 V (1mA) JEDEC specification.
- Duty cycle should be tested with a 50/50% input.
- Over MIN (20 pF) to MAX (30 pF) discrete load, process, voltage, and temperature.
- Input edge rate for these tests must be faster than 1 V/ns.
- All typical values are at V_{CC} = 3.3 V and T_{amb} = 25 °C.

0–300 MHz I²C 1:18 clock buffer

PCK2002

I²C CONSIDERATIONS

I²C has been chosen as the serial bus interface to control the PCK2002. I²C was chosen to support the JEDEC proposal JC-42.5 168 Pin Unbuffered SDRAM DIMM. All vendors are required to determine the legal issues associated with the manufacture of I²C devices.

1) Address assignment: The clock driver in this specification uses the single, 7-bit address shown below. All devices can use the address if only one master clock driver is used in a design. The address can be re-used for the CKBF device if no other conflicting I²C clock driver is used in the system.

The following address was confirmed by Philips on 09/04/96.

A6	A5	A4	A3	A2	A1	A0	R/W
1	1	0	1	0	0	1	0

NOTE: The R/W bit is used by the I²C controller as a data direction bit. A 'zero' indicates a transmission (WRITE) to the clock device. A 'one' indicates a request for data (READ) from the clock driver. Since the definition of the clock buffer only allows the controller to WRITE data; the R/W bit of the address will always be seen as 'zero'. Optimal address decoding of this bit is left to the vendor.

2) Options: It is our understanding that metal mask options and other pinouts of this type of clock driver will be allowed to use the same address as the original CKBF device. I²C addresses are defined in terms of function (master clock driver) rather than form (pinout, and option).

3) Slave/Receiver: The clock driver is assumed to require only slave/receiver functionality. Slave/transmitter functionality is optional.

4) Data Transfer Rate: 100 kbits/s (standard mode) is the base functionality required. Fast mode (400 kbits/s) functionality is optional.

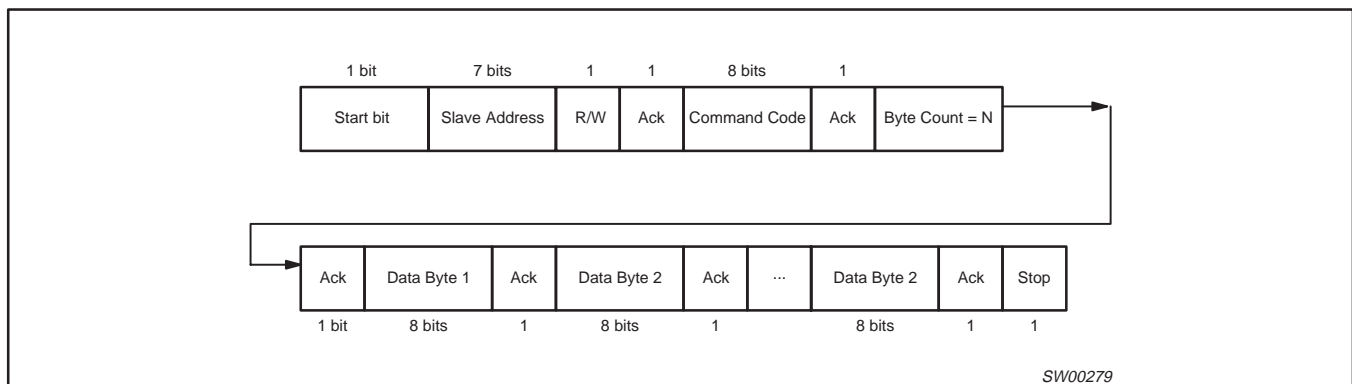
5) Logic Levels: I²C logic levels are based on a percentage of V_{DD} for the controller and other devices on the bus. Assume all devices are based on a 3.3 Volt supply.

6) Data Byte Format: Byte format is 8 Bits as described in the following appendices.

7) Data Protocol: To simplify the clock I²C interface, the clock driver serial protocol was specified to use only block writes from the controller. The bytes must be accessed in sequential order from lowest to highest byte with the ability to stop after any complete byte has been transferred. Indexed bytes are not allowed. However, the SMBus controller has a more specific format than the generic I²C protocol.

The clock driver must meet this protocol which is more rigorous than previously stated I²C protocol. Treat the description from the viewpoint of controller. The controller "writes" to the clock driver and if possible would "read" from the clock driver (the clock driver is a slave/receiver only and is incapable of this transaction.)

"The block write begins with a slave address and a write condition. After the command code the host (controller) issues a byte count which describes how many more bytes will follow in the message. If the host had 20 bytes to send, the first byte would be the number 20 (14h), followed by the 20 bytes of data. The byte count may not be 0. A block write command is allowed to transfer a maximum of 32 data bytes."



NOTE: The acknowledgement bit is returned by the slave/receiver (the clock driver).

0–300 MHz I²C 1:18 clock buffer

PCK2002

Consider the command code and the byte count bytes required as the first two bytes of any transfer. The command code is software programmable via the controller, but will be specified as 0000 0000 in the clock specification. The byte count byte is the number of additional bytes required to transfer, not counting the command code and byte count bytes. Additionally, the byte count byte is required to be a minimum of 1 byte and a maximum of 32 bytes to satisfy the above requirement.

For example:

Byte count byte		Notes:
MSB	LSB	
0000	0000	Not allowed. Must have at least one byte.
0000	0001	Data for functional and frequency select register (currently byte 0 in spec)
0000	0010	Reads first two bytes of data. (byte 0 then byte 1)
0000	0011	Reads first three bytes (byte 0, 1, 2 in order)
0000	0100	Reads first four bytes (byte 0, 1, 2, 3 in order)
0000	0101	Reads first five bytes (byte 0, 1, 2, 3, 4 in order)
0000	0110	Reads first six bytes (byte 0, 1, 2, 3, 4, 5 in order)
0000	0111	Reads first seven bytes (byte 0, 1, 2, 3, 4, 5, 6 in order)
0010	0000	Max byte count supported = 32

A transfer is considered valid after the acknowledge bit corresponding to the byte count is read by the controller. The serial controller interface can be simplified by discarding the information in both the command code and the byte count bytes and simply reading all the bytes that are sent to the clock driver after being addressed by the controller. It is expected that the controller will not provide more bytes than the clock driver can handle. A clock vendor may choose to discard any number of bytes that exceed the defined byte count.

8) Clock stretching: The clock device must not hold/stretch the SCLOCK or SDATA lines low for more than 10 ms. Clock stretching is discouraged and should only be used as a last resort. Stretching the clock/data lines for longer than this time puts the device in an error/time-out mode and may not be supported in all platforms. It is assumed that all data transfers can be completed as specified without the use of clock/data stretching.

9) General Call: It is assumed that the clock driver will not have to respond to the “general call.”

10) Electrical Characteristics: All electrical characteristics must meet the standard mode specifications found in section 15 of the I²C specification.

a) Pull-Up Resistors: Any internal resistors pull-ups on the SDATA and SCLOCK inputs must be stated in the individual datasheet. The use of internal pull-ups on these pins of below 100 k Ω is discouraged. Assume that the board designer will use a single external pull-up resistor for each line and that these values are in the 5–6 k Ω range. Assume one I²C device per DIMM (serial presence detect), one I²C controller, one clock driver plus one/two more I²C devices on the platform for capacitive loading purposes.

(b) Input Glitch Filters: Only fast mode I²C devices require input glitch filters to suppress bus noise. The clock driver is specified as a standard mode device and is not required to support this feature.

11) $\overline{\text{PWR DWN}}$: If a clock driver is placed in $\overline{\text{PWR DWN}}$ mode, the SDATA and SCLK inputs must be Tri-Stated and the device must retain all programming information. I_{dd} current due to the I²C circuitry must be characterized and in the data sheet.

For specific I²C information consult the Philips I²C Peripherals Data Handbook IC12 (1997).

0–300 MHz I²C 1:18 clock buffer

PCK2002

SERIAL CONFIGURATION MAP

The serial bits will be read by the clock buffer in the following order:

Byte 0 – Bits 7, 6, 5, 4, 3, 2, 1, 0

Byte 1 – Bits 7, 6, 5, 4, 3, 2, 1, 0

Byte 2 – Bits 7, 6, 5, 4, 3, 2, 1, 0

All unused register bits (Reserved and N/A) should be desined as “Don’t Care”. It is expected that the controller will force all of these bits to a “0” level.

All register bits labeled “Initialize to 0” must be written to zero during intialization. Failure to do so may result in a higher than normal operating current. The controller will read back the last written value.

Byte 0: SDRAM Output active/inactive register

1 = enable; 0 = disable

BIT(S)	AFFECTED PIN		CONTROL FUNCTION	BIT CONTROL	
	PIN NO.	PIN NAME		0	1
7	18	BUF_OUT7	Clock Output Disable	Low	Active
6	17	BUF_OUT6	Clock Output Disable	Low	Active
5	14	BUF_OUT5	Clock Output Disable	Low	Active
4	13	BUF_OUT4	Clock Output Disable	Low	Active
3	9	BUF_OUT3	Clock Output Disable	Low	Active
2	8	BUF_OUT2	Clock Output Disable	Low	Active
1	5	BUF_OUT1	Clock Output Disable	Low	Active
0	4	BUF_OUT0	Clock Output Disable	Low	Active

NOTE:

1. At power up all SDRAM outputs are enabled and active. Program all reserved bits to “0”.

Byte 1: SDRAM Output active/inactive register

1 = enable; 0 = disable

BIT(S)	AFFECTED PIN		CONTROL FUNCTION	BIT CONTROL	
	PIN NO.	PIN NAME		0	1
7	45	BUF_OUT15	Clock Output Disable	Low	Active
6	44	BUF_OUT14	Clock Output Disable	Low	Active
5	41	BUF_OUT13	Clock Output Disable	Low	Active
4	40	BUF_OUT12	Clock Output Disable	Low	Active
3	36	BUF_OUT11	Clock Output Disable	Low	Active
2	35	BUF_OUT10	Clock Output Disable	Low	Active
1	32	BUF_OUT9	Clock Output Disable	Low	Active
0	31	BUF_OUT8	Clock Output Disable	Low	Active

NOTE:

1. At power up all SDRAM outputs are enabled and active. Program all reserved bits to “0”.

0–300 MHz I²C 1:18 clock buffer

PCK2002

Byte 2: SDRAM Output active/inactive register

1 = enable; 0 = disable

BIT(S)	AFFECTED PIN		CONTROL FUNCTION	BIT CONTROL	
	PIN NO.	PIN NAME		0	1
7	N/A	BUF_OUT17	Clock Output Disable	Low	Active
6	12	BUF_OUT16	Clock Output Disable	Low	Active
5	N/A	Reserved	(Reserved)	—	—
4	N/A	Reserved	(Reserved)	—	—
3	N/A	Reserved	(Reserved)	—	—
2	N/A	Reserved	(Reserved)	—	—
1	N/A	Reserved	(Reserved)	—	—
0	N/A	Reserved	(Reserved)	—	—

NOTE:

1. At power up all SDRAM outputs are enabled and active. Program all reserved bits to “0”.

0–300 MHz I²C 1:18 clock buffer

PCK2002

AC WAVEFORMS

$V_M = 1.5\text{ V}$
 $V_X = V_{OL} + 0.3\text{ V}$
 $V_Y = V_{OH} - 0.3\text{ V}$
 V_{OL} and V_{OH} are the typical output voltage drop that occur with the output load.

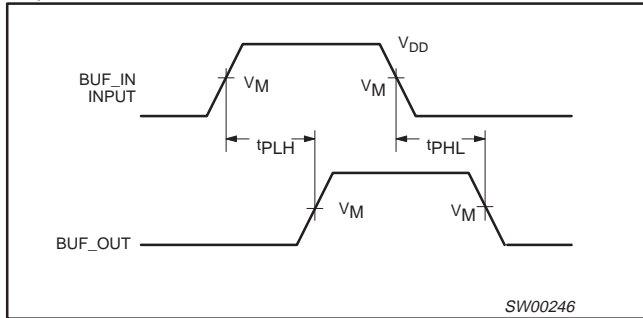


Figure 1. Load circuitry for switching times.

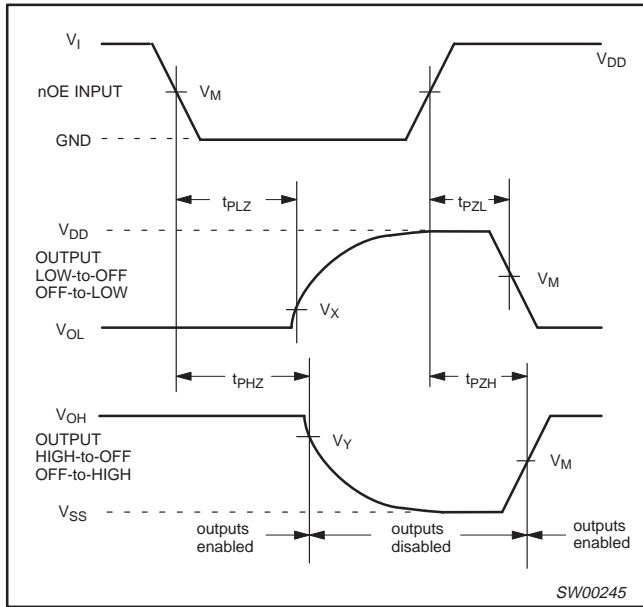


Figure 2. 3-State enable and disable times

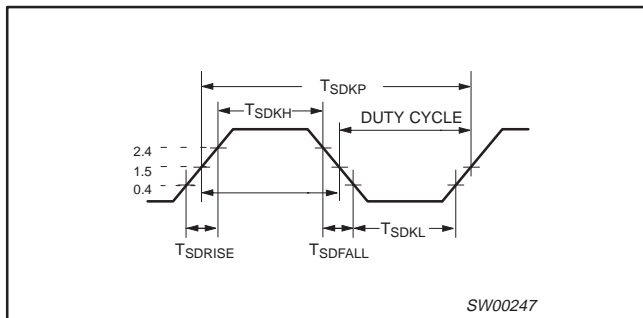


Figure 3. Buffer Output clock

TEST CIRCUIT

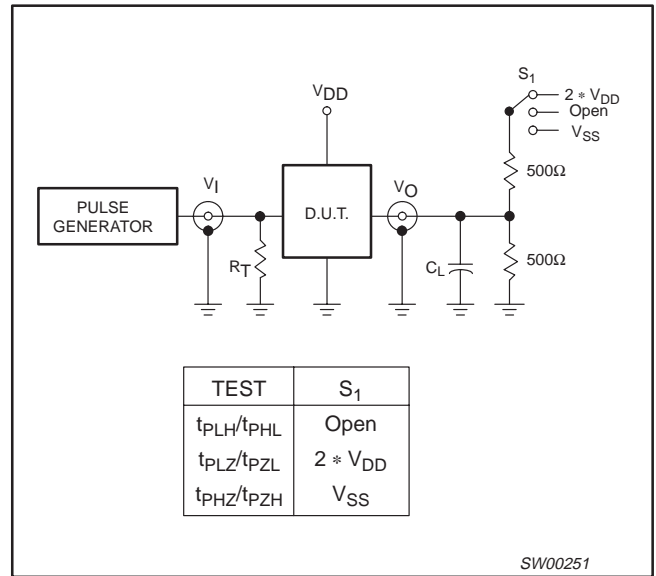


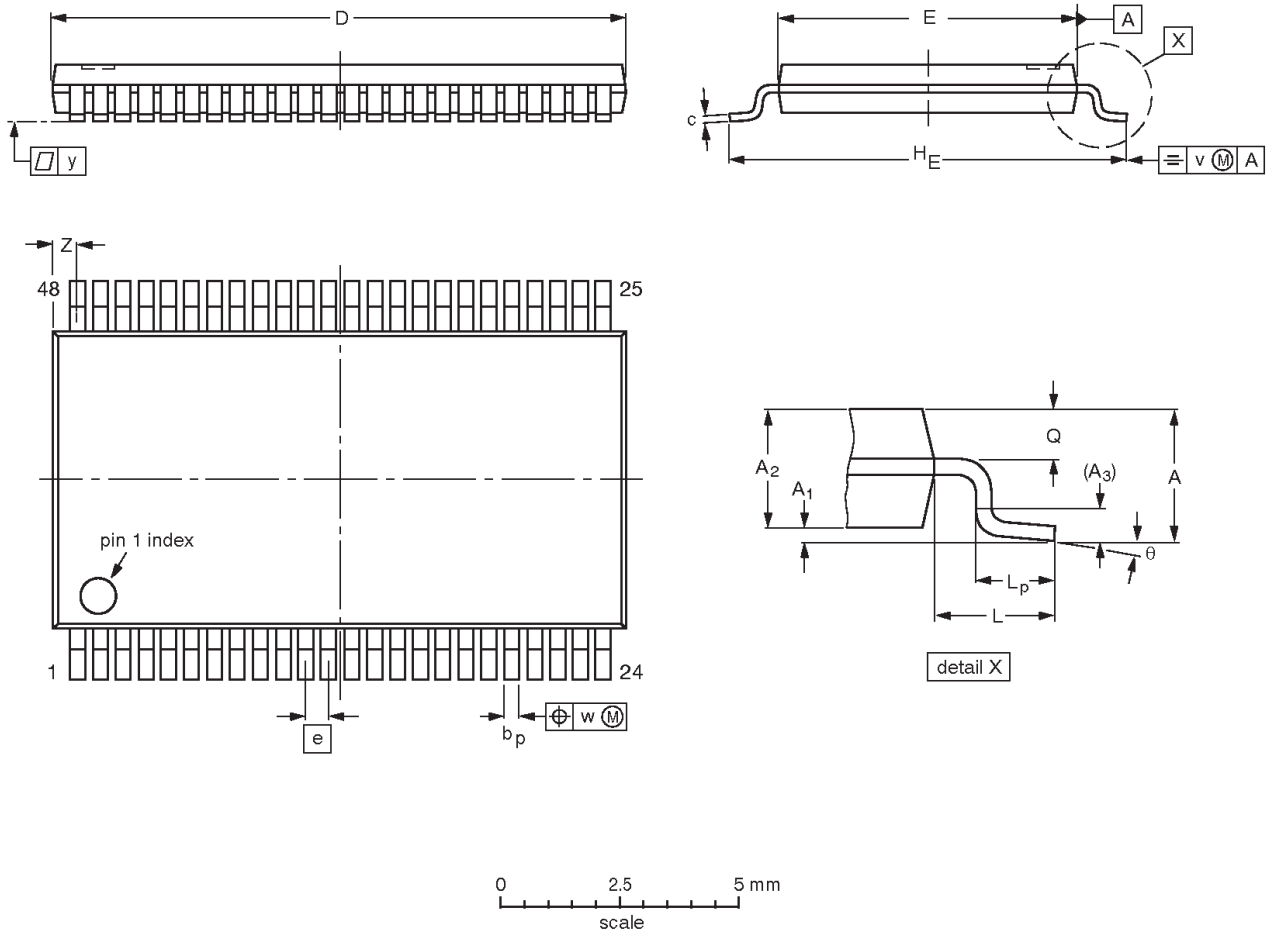
Figure 4. Load circuitry for switching times

0–300 MHz I²C 1:18 clock buffer

PCK2002

TSSOP48: plastic thin shrink small outline package; 48 leads; body width 6.1 mm

SOT362-1



DIMENSIONS (mm are the original dimensions).

UNIT	A max.	A ₁	A ₂	A ₃	b _p	c	D ⁽¹⁾	E ⁽²⁾	e	H _E	L	L _p	Q	v	w	y	Z	θ
mm	1.2	0.15 0.05	1.05 0.85	0.25	0.28 0.17	0.2 0.1	12.6 12.4	6.2 6.0	0.5	8.3 7.9	1	0.8 0.4	0.50 0.35	0.25	0.08	0.1	0.8 0.4	8° 0°

Notes

1. Plastic or metal protrusions of 0.15 mm maximum per side are not included.
2. Plastic interlead protrusions of 0.25 mm maximum per side are not included.

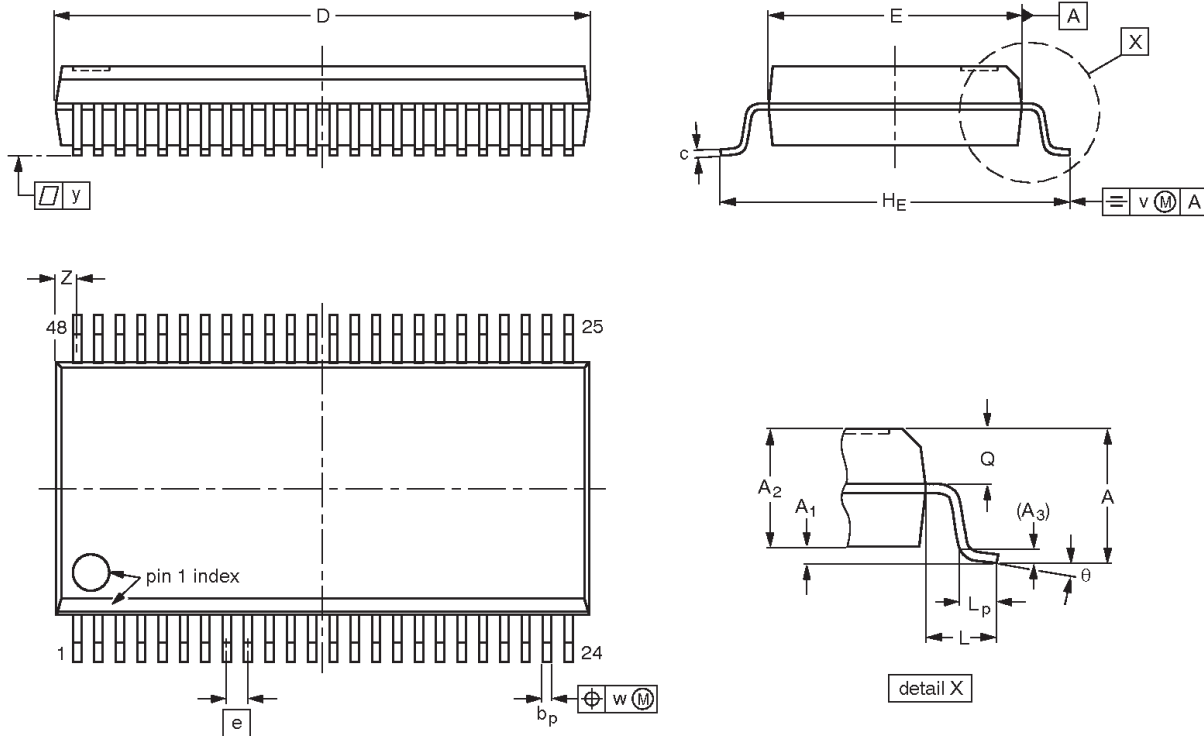
OUTLINE VERSION	REFERENCES				EUROPEAN PROJECTION	ISSUE DATE
	IEC	JEDEC	EIAJ			
SOT362-1		MO-153				-95-02-10 99-12-27

0–300 MHz I²C 1:18 clock buffer

PCK2002

SSOP48: plastic shrink small outline package; 48 leads; body width 7.5 mm

SOT370-1



DIMENSIONS (mm are the original dimensions)

UNIT	A max.	A ₁	A ₂	A ₃	b _p	c	D ⁽¹⁾	E ⁽¹⁾	e	H _E	L	L _p	Q	v	w	y	Z ⁽¹⁾	θ
mm	2.8	0.4 0.2	2.35 2.20	0.25	0.3 0.2	0.22 0.13	16.00 15.75	7.6 7.4	0.635	10.4 10.1	1.4	1.0 0.6	1.2 1.0	0.25	0.18	0.1	0.85 0.40	8° 0°

Note

1. Plastic or metal protrusions of 0.25 mm maximum per side are not included.

OUTLINE VERSION	REFERENCES				EUROPEAN PROJECTION	ISSUE DATE
	IEC	JEDEC	EIAJ			
SOT370-1		MO-118				95-02-04 99-12-27

0–300 MHz I²C 1:18 clock buffer

PCK2002

Data sheet status

Data sheet status ^[1]	Product status ^[2]	Definitions
Objective data	Development	This data sheet contains data from the objective specification for product development. Philips Semiconductors reserves the right to change the specification in any manner without notice.
Preliminary data	Qualification	This data sheet contains data from the preliminary specification. Supplementary data will be published at a later date. Philips Semiconductors reserves the right to change the specification without notice, in order to improve the design and supply the best possible product.
Product data	Production	This data sheet contains data from the product specification. Philips Semiconductors reserves the right to make changes at any time in order to improve the design, manufacturing and supply. Changes will be communicated according to the Customer Product/Process Change Notification (CPCN) procedure SNW-SQ-650A.

[1] Please consult the most recently issued datasheet before initiating or completing a design.

[2] The product status of the device(s) described in this data sheet may have changed since this data sheet was published. The latest information is available on the Internet at URL <http://www.semiconductors.philips.com>.

Definitions

Short-form specification — The data in a short-form specification is extracted from a full data sheet with the same type number and title. For detailed information see the relevant data sheet or data handbook.

Limiting values definition — Limiting values given are in accordance with the Absolute Maximum Rating System (IEC 134). Stress above one or more of the limiting values may cause permanent damage to the device. These are stress ratings only and operation of the device at these or at any other conditions above those given in the Characteristics sections of the specification is not implied. Exposure to limiting values for extended periods may affect device reliability.

Application information — Applications that are described herein for any of these products are for illustrative purposes only. Philips Semiconductors make no representation or warranty that such applications will be suitable for the specified use without further testing or modification.

Disclaimers

Life support — These products are not designed for use in life support appliances, devices or systems where malfunction of these products can reasonably be expected to result in personal injury. Philips Semiconductors customers using or selling these products for use in such applications do so at their own risk and agree to fully indemnify Philips Semiconductors for any damages resulting from such application.

Right to make changes — Philips Semiconductors reserves the right to make changes, without notice, in the products, including circuits, standard cells, and/or software, described or contained herein in order to improve design and/or performance. Philips Semiconductors assumes no responsibility or liability for the use of any of these products, conveys no license or title under any patent, copyright, or mask work right to these products, and makes no representations or warranties that these products are free from patent, copyright, or mask work right infringement, unless otherwise specified.

Philips Semiconductors
811 East Arques Avenue
P.O. Box 3409
Sunnyvale, California 94088–3409
Telephone 800-234-7381

© Copyright Philips Electronics North America Corporation 2001
All rights reserved. Printed in U.S.A.

Date of release: 07-01

Document order number:

9397 750 08585

Let's make things better.