



DESCRIPTION

PT2268 is a remote control encoder utilizing CMOS Technology specially designed for use with the PT2128. Using a special coding technique, PT2268 increases noise immunity to a very great extent. It is housed in 16-Pins DIP Package and has a maximum of eight (8) input channels. Its high performance features make PT2268 a MUST in every fan and other electrical home appliance remote control application.

PTC provides a new version of PT2268 which can be identified by the "B" mark on the lower right hand corner of the IC's topcode (beside the date code). Please refer to the diagram on the Order Information Section. The difference between the old and new version is the external application circuit in the OSC1 and OSC2 pins. (see Oscillator Section)

FEATURES

- CMOS technology
- Low power consumption
- Very high noise immunity
- Wide range of operating voltage: $V_{cc}=2.2 \sim 5.0V$
- Transmits signals to a maximum of 8 channels
- Start word custom code options available (Please contact PTC for details.)

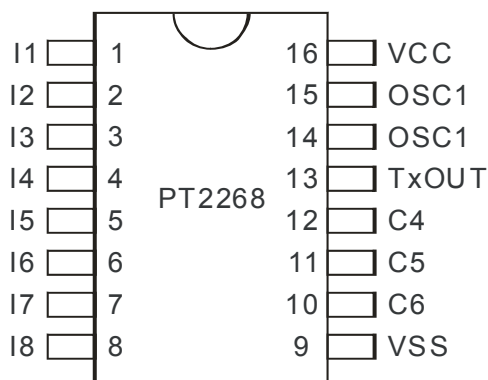
APPLICATIONS

- Fan remote control
- Air cleaner
- Humidifier
- Heater



Remote Control Encoder PT2268

PIN CONFIGURATION



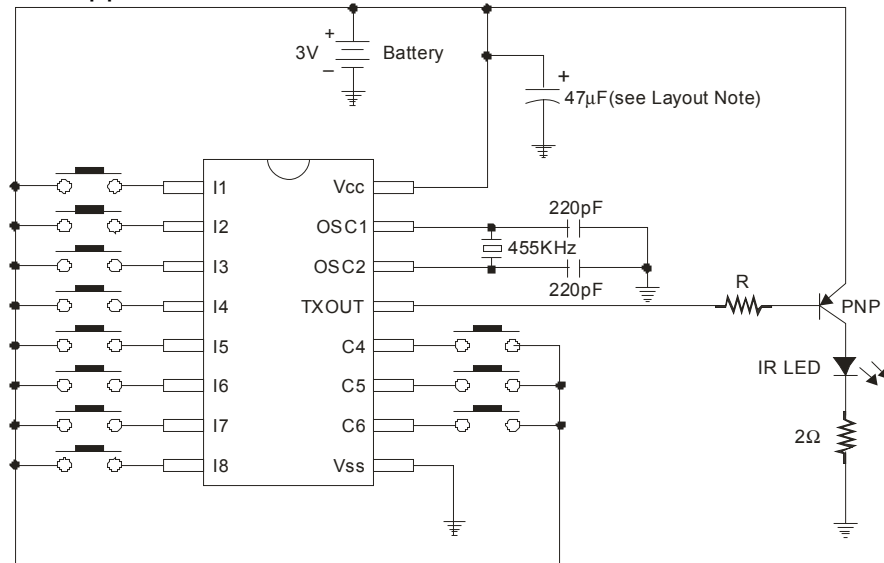
PIN DESCRIPTION

Pin Name	I/O	Description	Pin No.
I1 ~ I8	I	Key Input Pins. These pins are used to connect a maximum of 8 keys. (Each pin has a built-in pull-low resistor.)	1 ~ 8
VSS	-	Negative Power Supply	9
C4 ~ C5	I	Select Input Pin for Start Word These pins have internal pull-low resistors.	12 ~ 11
C6	I	Select Input Pin for Start Word This pin has an internal pull-high resistor.	10
Tx OUT	O	Transmission Output Pin. This pin is an open drain (NMOS) output and is used to transmit signals. The carrier frequency is 38 KHz.	13
OSC1	I	Oscillator No.1 Pin	15
OSC2	O	Oscillator No.2 Pin	14
VCC	-	Positive Power Supply	16



APPLICATION CIRCUIT

PT2268 IR Transmitter Application Circuit



Notes:

1. C3 (default value)=1. For more details, please refer to Start Word Custom Code Section.
2. Resistor (R) is the Current Limit Impedance whose value must be greater than 220Ω . Resistor (R) Recommended Value= $1K\Omega$

Layout Note: Place $47\mu F$ capacitor as near as possible to the PT2268's VSS Pin.



ORDER INFORMATION

Valid Part Number	Package Type	Top Code
PT2268P8-Z (L)	8 Pins, DIP, 300mil	PT2268P8-Z
PT2268Z (L)	16 Pins, DIP, 300mil	PT2268Z
PT2268Z-S (L)	16 Pins, SOP, 300mil	PT2268Z-S

Notes:

1. (L), (C) or (S) = Lead Free.
2. The Lead Free mark is put in front of the date code.