

## Advance Product Information VSC7124

### Quad Port Bypass Circuit

#### Features

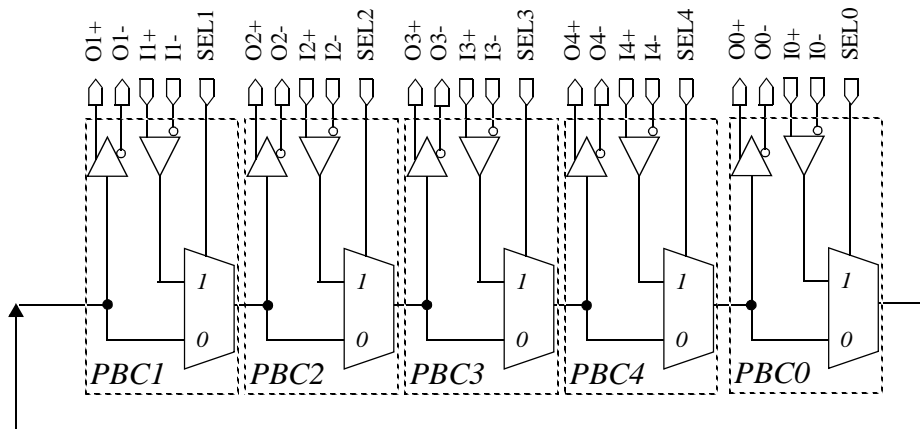
- ANSI X3T11 Fibre Channel Compliant at 1.0625Gb/s
- IEEE 802.3z Gigabit Ethernet Compliant at 1.25Gb/s
- Five Port Bypass Circuits (PBCs)
- On-Chip Transmit Termination
- 3.3V, 0.25W Typical Power
- 0.35um CMOS, a Velocity Family Member
- 44-Pin, 10mm PQFP Package

#### General Description

The VSC7124 contains five cascaded Port Bypass Circuits (PBCs) used to steer serial signals. This part is typically used in distributing Fibre Channel signals to an array of disk drives in an FC-AL loop as illustrated in Figure 1. The VSC7124 can be used with any of the Vitesse JBOD circuits to implement FC-AL JBODs of virtually any size. In Figure 1, the first VSC7124's CRU is configured as a Repeater to attenuate jitter. The VSC7124 does not contain a CRU in order to reduce power and cost. The second VSC7124's CRU is configured as a retimer so that the output of the device is a jitter compliance point.

Each PBC is a multiplexer that is controlled by the corresponding SELx line which, if HIGH, selects the external input or, if LOW, selects the output of the previous PBC.

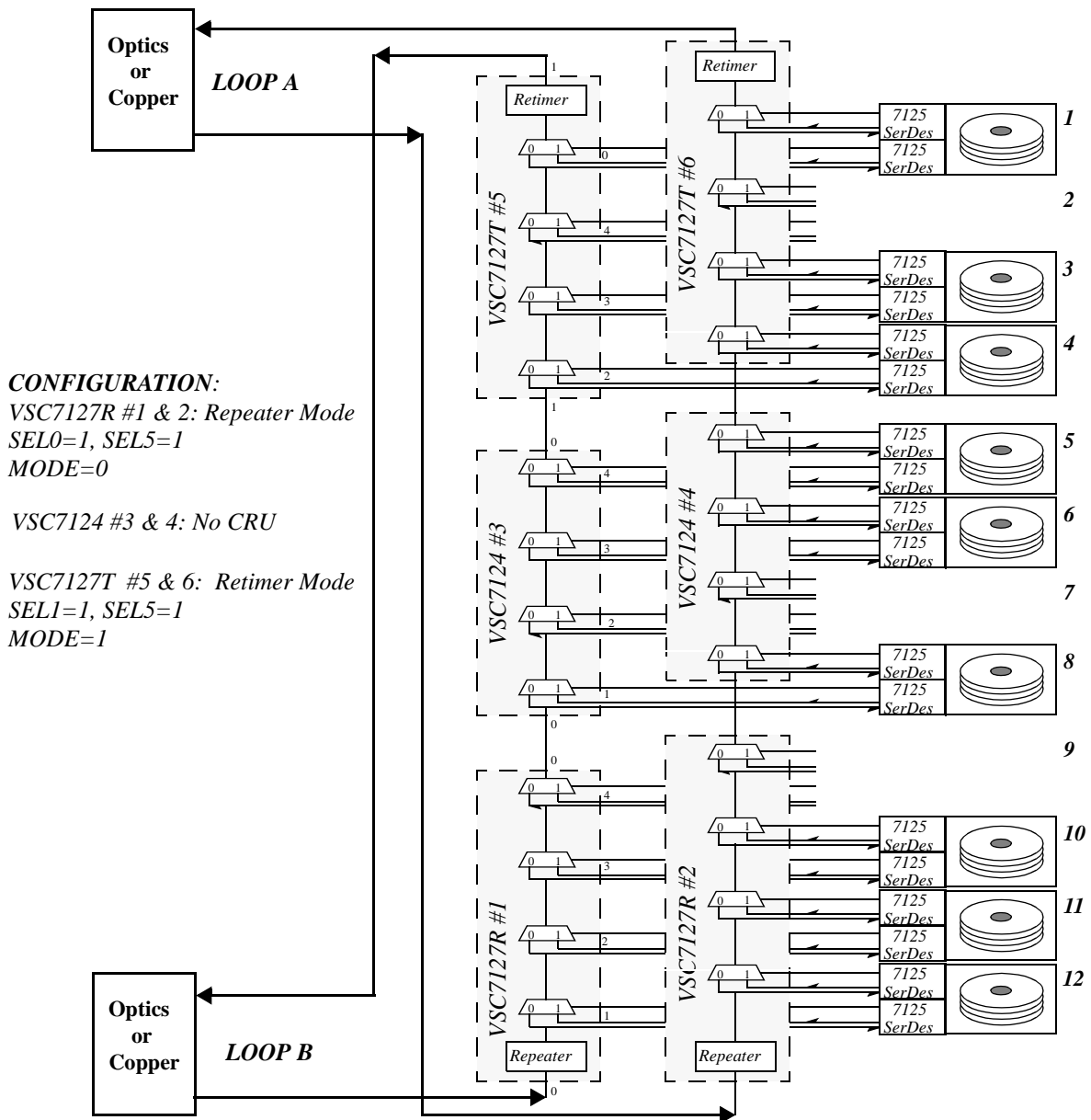
#### VSC7124 Block Diagram



### Application Example

A 12-port JBOD is shown in Figure 1. This dual loop application uses one VSC7127R, one VSC7127T and one VSC7124 on each loop in order to configure the FC-AL disk array. Functional drives are included in the FC-AL loop while nonfunctional or missing drives (numbers 2, 7, 9) are excluded.

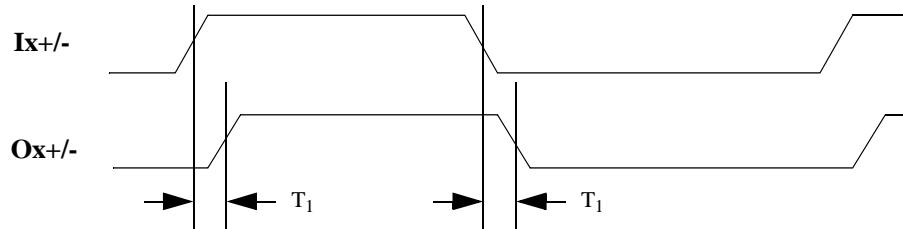
Figure 1: 12-Drive FC-AL JBOD Application



## Advance Product Information VSC7124

### Quad Port Bypass Circuit

Figure 2: Timing Waveforms



### AC Characteristics (Over Recommended Operating Conditions)

Parameters	Description	Min	Typ	Max	Units	Conditions
$T_1$	Propagation Delay			7.0	ns	Delay with all circuits bypassed.
$T_R, T_F$	Serial Data Rise and Fall Time			300	ps	At $\Delta V_{IN}$ minimum levels
$T_j(\text{PBC})$	Data Jitter Accumulation			120	ps	Peak-to-Peak on $Ox+/-$

### DC Characteristics (Over Recommended Operating Conditions)

Parameters	Description	Min	Typ	Max	Units	Conditions
$V_{OH}$	Output HIGH voltage (TTL)	2.4			V	$I_{OH} = -1.0 \text{ mA}$
$V_{OL}$	Output LOW voltage (TTL)			0.5	V	$I_{OL} = +1.0 \text{ mA}$
$V_{IH}$	Input HIGH voltage (TTL)	2.0		5.5	V	
$V_{IL}$	Input LOW voltage (TTL)	0		0.8	V	
$I_{IH}$	Input HIGH current (TTL)		50	500	$\mu\text{A}$	$V_{IN} = 2.4 \text{ V}$
$I_{IL}$	Input LOW current (TTL)			-500	$\mu\text{A}$	$V_{IN} = 0.5 \text{ V}$
$\Delta V_{OUT75}^{(1)}$	TX output differential peak-to-peak voltage swing	1200		2200	mVp-p	$75\Omega$ to $V_{DD} - 2.0 \text{ V}$
$\Delta V_{OUT50}^{(1)}$	TX output differential peak-to-peak voltage swing	1000		2200	mVp-p	$50\Omega$ to $V_{DD} - 2.0 \text{ V}$
$\Delta V_{IN}^{(1)}$	Receiver differential peak-to-peak Input Sensitivity RX	400		2600	mVp-p	Internally biased to $V_{DD}/2$
$V_{DD}$	Supply voltage	3.14		3.47	V	$3.3 \text{ V} \pm 5\%$
$P_D$	Power dissipation		250	555	mW	Outputs open, $V_{DD} = V_{DD \text{ max}} \pm 2\%$
$I_{DD}$	Power Supply Current		76	160	mA	Outputs open, $V_{DD} = V_{DD \text{ max}}$

NOTE: (1) Refer to Application Note AN-37 for details regarding differential voltage measurements.

**Absolute Maximum Ratings (1)**

TTL Power Supply Voltage ( $V_{DD}$ ).....	0.5V to +4V
PECL DC Input Voltage ( $V_{INP}$ ) .....	-0.5V to $V_{DD} + 0.5V$
TTL DC Input Voltage, ( $V_{INT}$ ).....	-0.5V to 5.5V
DC Voltage Applied to Outputs for High Output State ( $V_{IN\ TTL}$ ) .....	-0.5V to $V_{DD} + 0.5V$
TTL Output Current ( $I_{OUT}$ ), (DC, Output High).....	50mA
PECL Output Current ( $I_{OUT}$ ), (DC, Output High) .....	-50mA
Case Temperature Under Bias, ( $T_C$ ).....	-55°C to +125°C
Storage Temperature ( $T_{STG}$ ).....	-65°C to + 150°C

**Recommended Operating Conditions(2)**

Power Supply Voltage ( $V_{DD}$ ) .....	+3.14V to 3.47V
Ambient Operating Temperature Range (T).....	0°C to +85°C Ambient

*NOTES: (1) CAUTION: Stresses listed under “Absolute Maximum Ratings” may be applied to devices one at a time without causing permanent damage. Functionality at or above the values listed is not implied. Exposure to these values for extended periods may affect device reliability.*

*(2) Vitesse guarantees the functional and parametric operation of the part under “Recommended Operating Conditions” except where specifically noted in the AC and DC Parametric tables.*

## Advance Product Information VSC7124

## Quad Port Bypass Circuit

### Package Pin Descriptions

Figure 3: Pin Diagram

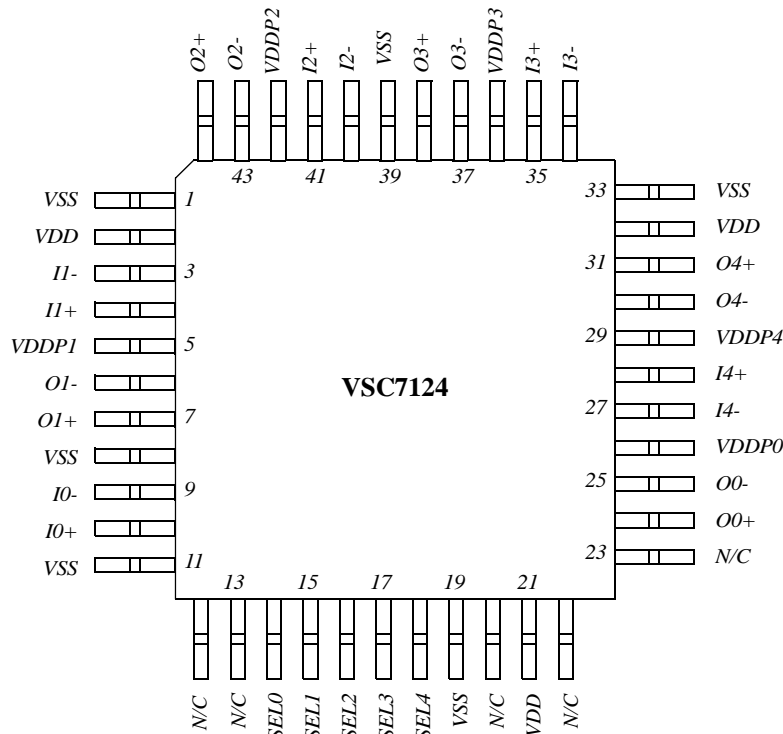
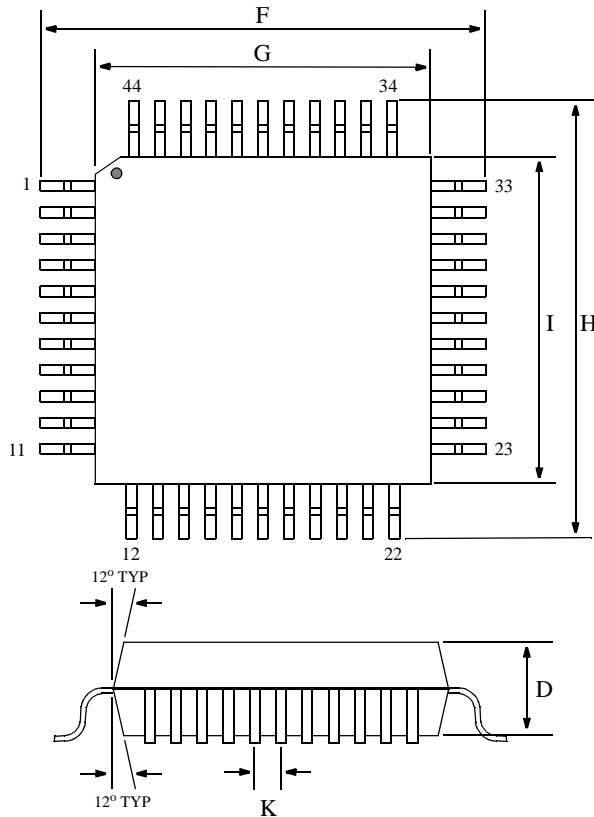


Table 1: Pin Identifications

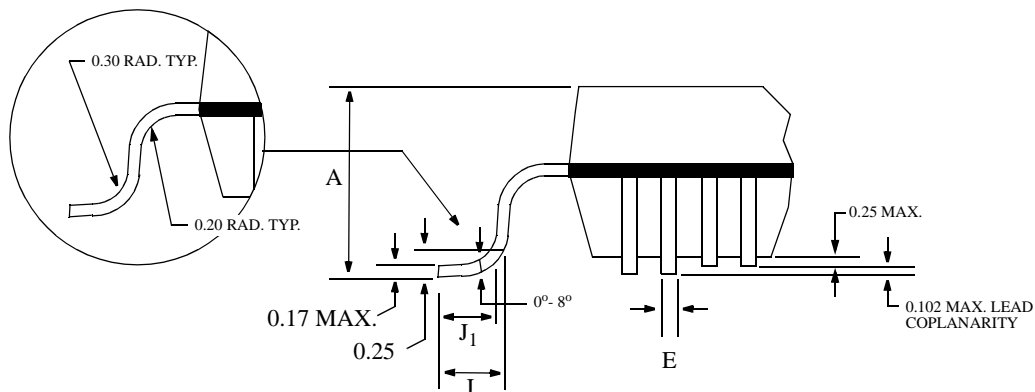
Pin #	Name	Description
4, 3, 41, 40 35, 34, 28, 27 10, 9	I1+, I1-, I2+, I2- I3+, I3-, I4+, I4- I0+, I0-	INPUT - Differential, Internally Biased to $V_{DD}/2$ Ix+/Ix- is the serial input to PBCx.
15, 16, 17, 18 14	SEL1, SEL2 SEL3, SEL4 SEL0	INPUT - TTL Port Bypass Mux SElect lines. A HIGH selects Ix. A LOW selects the output of the previous internal device.
7, 6, 44, 43 38, 37, 31, 30 24, 25	O1+, O1-, O2+, O2- O3+, O3-, O4+, O4- O0+, O0-	OUTPUT - Differential Ox+/Ox- is the serial output from PBCx.
2, 21, 32	VDD	Digital Logic Power Supply.
5 42 36 29 26	VDDP1 VDDP2 VDDP3 VDDP4 VDDP0	Power Supply (3.3V) for O1+/- . If unused, connect to VSS. Power Supply (3.3V) for O2+/- . If unused, connect to VSS. Power Supply (3.3V) for O3+/- . If unused, connect to VSS. Power Supply (3.3V) for O4+/- . If unused, connect to VSS. Power Supply (3.3V) for O0+/- . If unused, connect to VSS
12, 13, 20, 22, 23	N/C	Not Connected
1, 8, 11, 19, 33, 39	VSS	Ground

### Package Information

44-Pin PQFP 10 x 10 mm



Item	mm	Tol.
A	2.45	MAX
D	2.00	+0.10
E	0.35	±.05
F	13.20	±.25
G	10.00	±.10
H	13.20	±.25
I	10.00	±.10
J	0.88	+0.15 / -.10
K	0.80	BASIC



NOTES:  
 Drawing not to scale.  
 Cavity up  
 All units in mm unless otherwise noted.

## Advance Product Information VSC7124

Quad Port Bypass Circuit

### Package Thermal Characteristics

The VSC7124 is packaged in a standard plastic quad flatpack, PQFP. This package adheres to industry-standard EIAJ footprints for a 10mm body, 44-pin PQFP. The package construction is shown in Figure 4. The 44-pin PQFP with embedded slug has the thermal properties listed in Table 2.

Figure 4: Package Cross Section

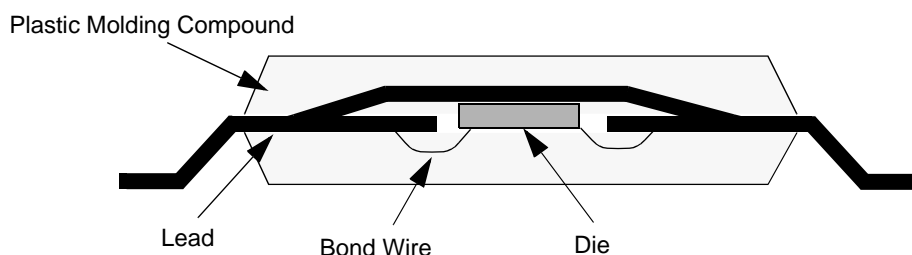


Table 2: 44 PQFP Thermal Resistance

Symbol	Description	Value	Units
$\theta_{CA-0}$	Thermal resistance from case-to-ambient, still air	50	$^{\circ}\text{C}/\text{W}$
$\theta_{CA-100}$	Thermal resistance from case-to-ambient, 100 LFPM air	43	$^{\circ}\text{C}/\text{W}$
$\theta_{CA-200}$	Thermal resistance from case-to-ambient, 200 LFPM air	39	$^{\circ}\text{C}/\text{W}$
$\theta_{CA-400}$	Thermal resistance from case-to-ambient, 400 LFPM air	36	$^{\circ}\text{C}/\text{W}$
$\theta_{CA-600}$	Thermal resistance from case-to-ambient, 600 LFPM air	34	$^{\circ}\text{C}/\text{W}$

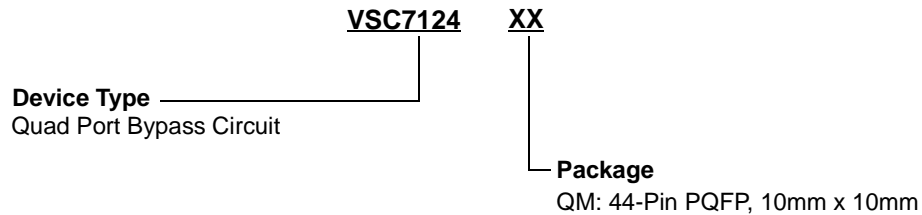
The VSC7124 is designed to operate with an ambient temperature up to  $+70^{\circ}\text{C}$ .

### Moisture Sensitivity Level

This device is rated at a Moisture Sensitivity Level 3 rating with maximum floor life of 168 hours at  $30^{\circ}\text{C}$ , 60% relative humidity. Please refer to Application Note AN-20 for appropriate handling procedures.

### Ordering Information

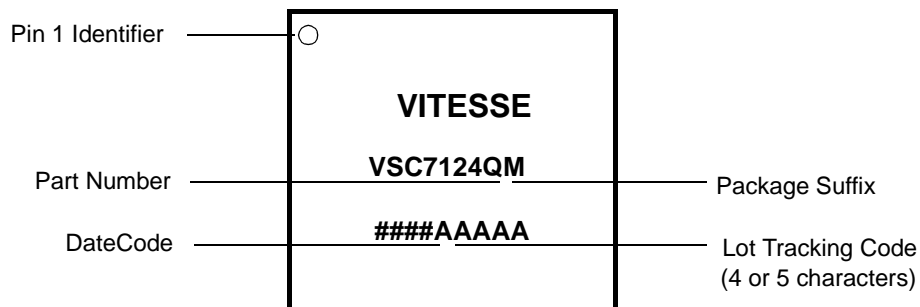
The order number for this product is formed by a combination of the device number and package type.



### Marking Information

The package is marked with three lines of text as shown in Figure 5.

**Figure 5: Package Marking Information**



### Notice

Vitesse Semiconductor Corporation (“Vitesse”) provides this document for informational purposes only. This document contains pre-production information about Vitesse products in their concept, development and/or testing phase. All information in this document, including descriptions of features, functions, performance, technical specifications and availability, is subject to change without notice at any time. Nothing contained in this document shall be construed as extending any warranty or promise, express or implied, that any Vitesse product will be available as described or will be suitable for or will accomplish any particular task.

Vitesse products are not intended for use in life support appliances, devices or systems. Use of a Vitesse product in such applications without written consent is prohibited.