
HM514260C Series HM51S4260C Series

262,144-word × 16-bit Dynamic Random Access Memory

HITACHI

ADE-203-260A (Z)

Rev. 1.0

Jun. 12, 1995

Description

The Hitachi HM51(S)4260C is CMOS dynamic RAM organized as 262,144-word × 16-bit. HM51(S)4260C has realized higher density, higher performance and various functions by employing 0.8 μm CMOS process technology and some new CMOS circuit design technologies. The HM51(S)4260C offers fast page mode as a high speed access mode. Multiplexed address input permits the HM51(S)4260C to be packaged in standard 400-mil 40-pin plastic SOJ and standard 400-mil 44-pin plastic TSOPII. Internal refresh timer enables HM51S4260C self refresh operation.

Features

- Single 5 V (±10%) (HM51(S)4260C-6/7/8)
(±5%) (HM51(S)4260C-6R)
- High speed
 - Access time: 60 ns/70 ns/80 ns (max)
- Low power dissipation
 - Active mode: 825 mW/788 mW/770 mW/688 mW (max)
 - Standby mode: 11 mW (max) (HM51(S)4260C-6/7/8)
10.5 mW (max) (HM51(S)4260C-6R)
1.1 mW (max) (L-version) (HM51(S)4260C-6/7/8)
1.05 mW (max) (L-version) (HM51(S)4260C-6R)
- Fast page mode capability
- 512 refresh cycles: 8 ms
128 ms (L-version)
- 2 $\overline{\text{CAS}}$ -byte control
- 2 variations of refresh
 - $\overline{\text{RAS}}$ -only refresh
 - $\overline{\text{CAS}}$ -before- $\overline{\text{RAS}}$ refresh
- Battery backup operation (L-version)
- Self refresh operation (HM51S4260C)

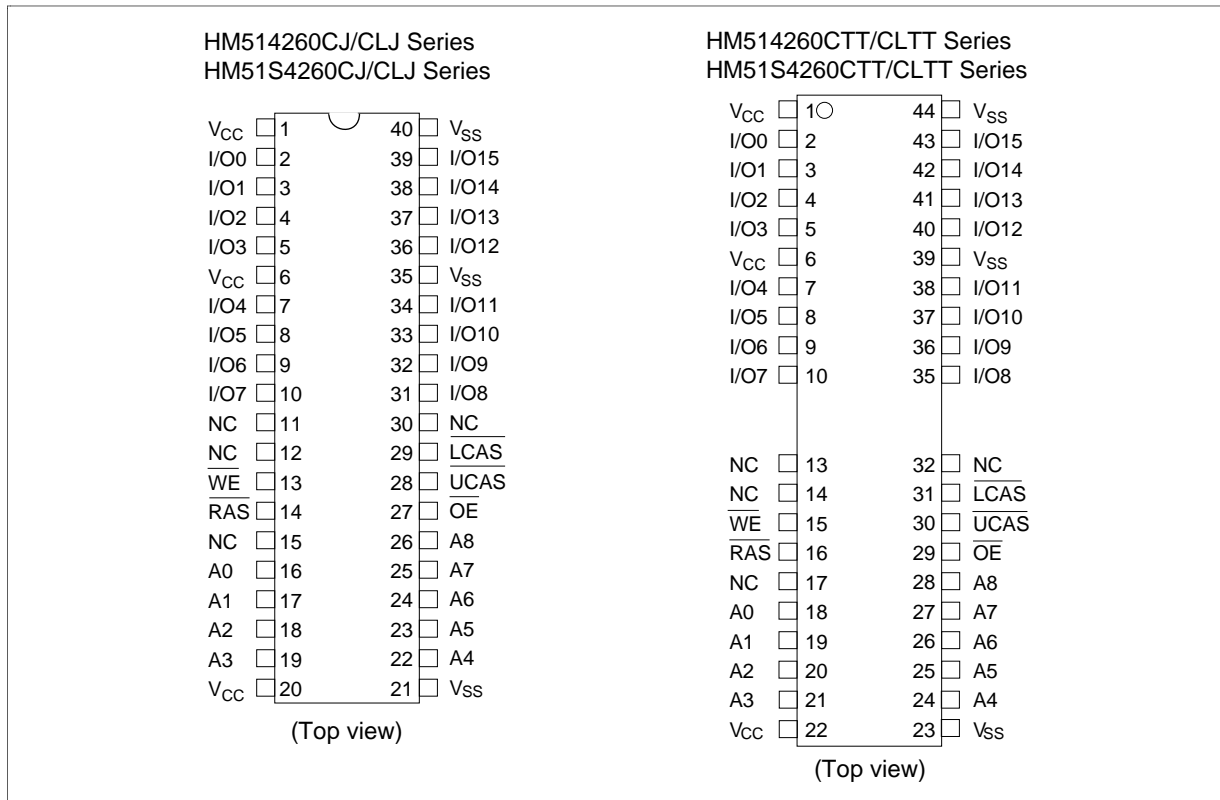
HM514260C, HM51S4260C Series

Ordering Information

Type No.	Access Time	Package
HM514260CJ-6	60 ns	400-mill 40-pin plastic SOJ (CP-40DA)
HM514260CJ-6R	60 ns	
HM514260CJ-7	70 ns	
HM514260CJ-8	80 ns	
HM514260CLJ-6	60 ns	
HM514260CLJ-6R	60 ns	
HM514260CLJ-7	70 ns	
HM514260CLJ-8	80 ns	
HM51S4260CJ-6	60 ns	
HM51S4260CJ-6R	60 ns	
HM51S4260CJ-7	70 ns	
HM51S4260CJ-8	80 ns	
HM51S4260CLJ-6	60 ns	
HM51S4260CLJ-6R	60 ns	
HM51S4260CLJ-7	70 ns	
HM51S4260CLJ-8	80 ns	
HM514260CTT-6	60 ns	400-mill 44-pin plastic TSOP II (TTP-44/40DB)
HM514260CTT-6R	60 ns	
HM514260CTT-7	70 ns	
HM514260CTT-8	80 ns	
HM514260CLTT-6	60 ns	
HM514260CLTT-6R	60 ns	
HM514260CLTT-7	70 ns	
HM514260CLTT-8	80 ns	
HM51S4260CTT-6	60 ns	
HM51S4260CTT-6R	60 ns	
HM51S4260CTT-7	70 ns	
HM51S4260CTT-8	80 ns	
HM51S4260CLTT-6	60 ns	
HM51S4260CLTT-6R	60 ns	
HM51S4260CLTT-7	70 ns	
HM51S4260CLTT-8	80 ns	

HM514260C, HM51S4260C Series

Pin Arrangement

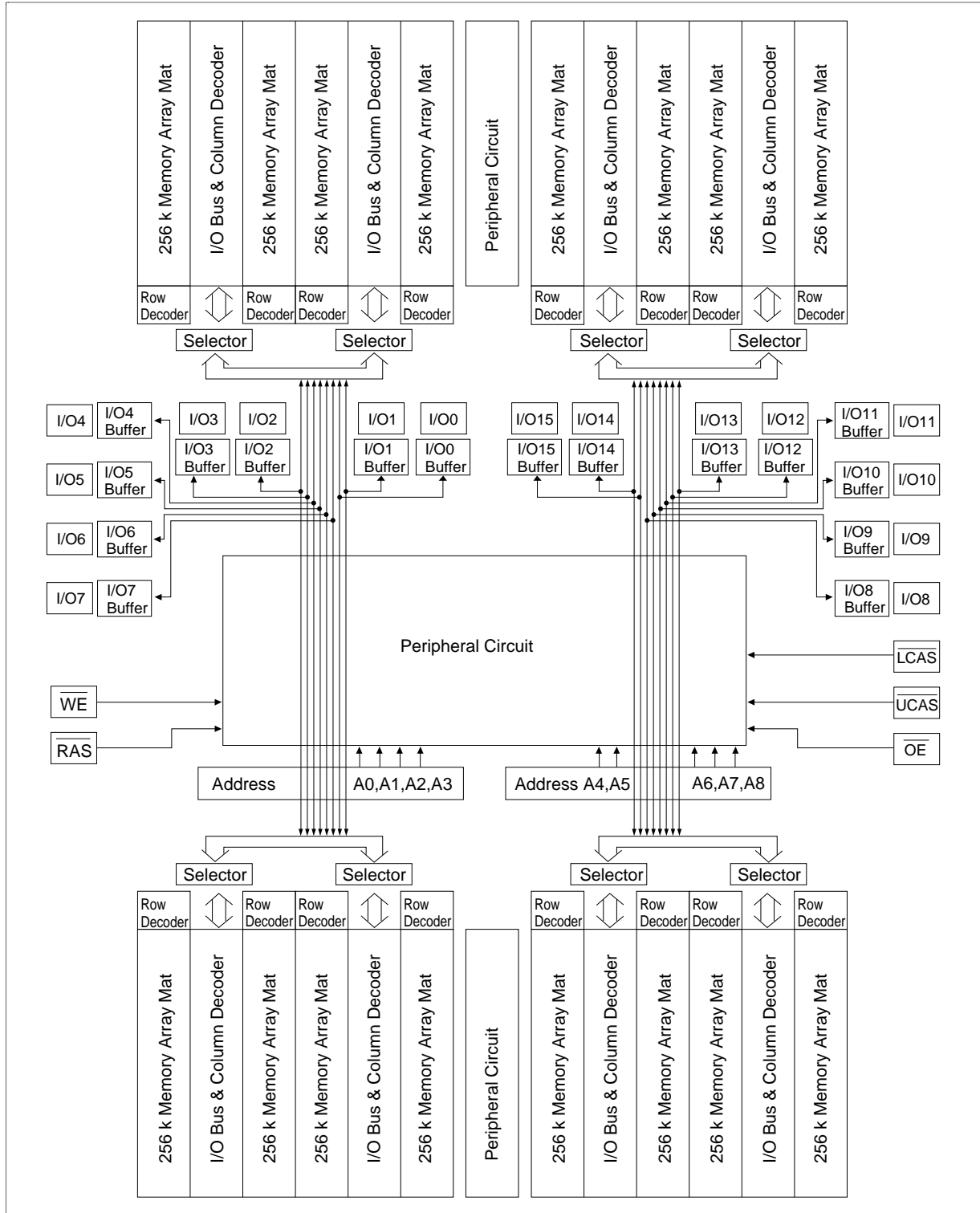


Pin Description

Pin Name	Function
A0 to A8	Address input –Row address A0 to A8 –Column address A0 to A8 –Refresh address A0 to A8
I/O0 to I/O15	Data-in/data-out
$\overline{\text{RAS}}$	Row address strobe
$\overline{\text{UCAS}}, \overline{\text{LCAS}}$	Column address strobe
$\overline{\text{WE}}$	Read/write enable
$\overline{\text{OE}}$	Output enable
V_{CC}	Power (+5 V)
V_{SS}	Ground
NC	No connection

HM514260C, HM51S4260C Series

Block Diagram



HITACHI

Operation Mode

The HM51(S)4260C series has the following 11 operation modes.

1. Read cycle
2. Early write cycle
3. Delayed write cycle
4. Read- modify-write cycle
5. $\overline{\text{RAS}}$ -only refresh cycle
6. $\overline{\text{CAS}}$ -before- $\overline{\text{RAS}}$ refresh cycle
7. Self refresh cycle(HM51S4260C)
8. Fast page mode read cycle
9. Fast page mode early write cycle
10. Fast page mode delayed write cycle
11. Fast page mode read- modify-write cycle

Inputs

RAS	LCAS	UCAS	WE	OE	Output	Operation
H	H	H	D	D	Open	Standby
H	L	L	H	L	Valid	Standby
L	L	L	H	L	Valid	Read cycle
L	L	L	L* ²	D	Open	Early write cycle
L	L	L	L* ²	H	Undefined	Delayed write cycle
L	L	L	H to L	L to H	Valid	Read-modify-write cycle
L	H	H	D	D	Open	$\overline{\text{RAS}}$ -only refresh cycle
H to L	H	L	D	D	Open	$\overline{\text{CAS}}$ -before- $\overline{\text{RAS}}$ refresh cycle
	L	H				Self refresh cycle (HM51S4260C)
	L	L				
L	H to L	H to L	H	L	Valid	Fast page mode read cycle
L	H to L	H to L	L* ²	D	Open	Fast page mode early write cycle
L	H to L	H to L	L* ²	H	Undefined	Fast page mode delayed write cycle
L	H to L	H to L	H to L	L to H	Valid	Fast page mode read-modify-write cycle
L	L	L	H	H	Open	Read cycle (Output disabled)

Notes: 1. H: High(inactive) L: Low(active) D: H or L

2. $t_{\text{WCS}} \geq 0$ ns Early write cycle

$t_{\text{WCS}} < 0$ ns Delayed write cycle

3. Mode is determined by the OR function of the $\overline{\text{UCAS}}$ and $\overline{\text{LCAS}}$. (Mode is set by the earliest of $\overline{\text{UCAS}}$ and $\overline{\text{LCAS}}$ active edge and reset by the latest of $\overline{\text{UCAS}}$ and $\overline{\text{LCAS}}$ inactive edge.) However write OPERATION and output HIZ control are done independently by each $\overline{\text{UCAS}}$, $\overline{\text{LCAS}}$.

ex. if $\overline{\text{RAS}} = \text{H to L}$, $\overline{\text{LCAS}} = \text{L}$, $\overline{\text{UCAS}} = \text{H}$, then $\overline{\text{CAS}}$ -before- $\overline{\text{RAS}}$ refresh cycle is selected.

HM514260C, HM51S4260C Series

Absolute Maximum Ratings

Parameter	Symbol	Value	Unit
Voltage on any pin relative to V_{SS}	V_T	-1.0 to +7.0	V
Supply voltage relative to V_{SS}	V_{CC}	-1.0 to +7.0	V
Short circuit output current	I_{out}	50	mA
Power dissipation	P_T	1.0	W
Operating temperature	T_{opr}	0 to +70	°C
Storage temperature	T_{stg}	-55 to +125	°C

Recommended DC Operating Conditions ($T_a = 0$ to +70°C)^{*2}

Parameter	Symbol	Min	Typ	Max	Unit	Notes
Supply voltage	V_{SS}	0	0	0	V	2
	V_{CC} (HM51(S)4260C-6/7/8)	4.5	5.0	5.5	V	1, 2
	V_{CC} (HM51(S)4260C-6R)	4.75	5.0	5.25	V	1, 2
Input high voltage	V_{IH}	2.4	—	6.5	V	1
Input low voltage	V_{IL}	-1.0	—	0.8	V	1

Notes: 1. All voltage referred to V_{SS} .

2. The supply voltage with all V_{CC} pins must be on the same level.

The supply voltage with all V_{SS} pins must be on the same level.

HM514260C, HM51S4260C Series

DC Characteristics (Ta = 0 to 70°C, V_{CC} = 5 V ±5%, V_{SS} = 0 V) (HM51(S)4260C-6R)
 (Ta = 0 to 70°C, V_{CC} = 5 V ±10%, V_{SS} = 0 V)
 (HM51(S)4260C-6/7/8)

HM514260C, HM51S4260C

Parameter	Symbol	-6/-6R		-7		-8		Unit	Test Conditions
		Min	Max	Min	Max	Min	Max		
Operating current ^{1,2}	I _{CC1}	—	150	—	140	—	125	mA	$\overline{\text{RAS}}$, $\overline{\text{UCAS}}$ or $\overline{\text{LCAS}}$ cycling t _{RC} = min
Standby current	I _{CC2}	—	2	—	2	—	2	mA	TTL interface $\overline{\text{RAS}}$, $\overline{\text{UCAS}}$, $\overline{\text{LCAS}} = V_{\text{IH}}$ Dout = High-Z
		—	1	—	1	—	1	mA	CMOS interface $\overline{\text{RAS}}$, $\overline{\text{UCAS}}$, $\overline{\text{LCAS}}$, $\overline{\text{WE}}$, $\overline{\text{OE}} \geq V_{\text{CC}} - 0.2 \text{ V}$ Dout = High-Z
Standby current (L-version)	I _{CC2}	—	200	—	200	—	200	μA	CMOS interface $\overline{\text{RAS}}$, $\overline{\text{UCAS}}$, $\overline{\text{LCAS}}$, $\overline{\text{OE}}$, $\overline{\text{WE}} \geq V_{\text{CC}} - 0.2 \text{ V}$ Dout = High-Z
$\overline{\text{RAS}}$ -only refresh current ²	I _{CC3}	—	140	—	130	—	110	mA	t _{RC} = min
Standby current ¹	I _{CC5}	—	5	—	5	—	5	mA	$\overline{\text{RAS}} = V_{\text{IH}}$, $\overline{\text{UCAS}}$ or $\overline{\text{LCAS}} = V_{\text{IL}}$ Dout = enable
$\overline{\text{CAS}}$ -before- $\overline{\text{RAS}}$ refresh current ²	I _{CC6}	—	140	—	130	—	110	mA	t _{RC} = min
Fast page mode current ^{1,3}	I _{CC7}	—	150	—	130	—	120	mA	t _{PC} = min
Battery backup current ⁴ (Standby with CBR refresh) (L-version)	I _{CC10}	—	300	—	300	—	300	μA	Standby: CMOS interface Dout = High-Z CBR refresh: t _{RC} = 250 μs t _{RAS} ≤ 1 μs, $\overline{\text{UCAS}}$, $\overline{\text{LCAS}} = V_{\text{IL}}$ $\overline{\text{WE}}$, $\overline{\text{OE}} = V_{\text{IH}}$
Self-refresh mode current (HM51S4260C)	I _{CC11}	—	1	—	1	—	1	mA	CMOS interface $\overline{\text{RAS}}$, $\overline{\text{UCAS}}$, $\overline{\text{LCAS}} \leq 0.2 \text{ V}$, Dout = High-Z
Self-refresh mode current (HM51S4260CL)	I _{CC11}	—	200	—	200	—	200	μA	CMOS interface $\overline{\text{RAS}}$, $\overline{\text{UCAS}}$, $\overline{\text{LCAS}} \leq 0.2 \text{ V}$, Dout = High-Z

HM514260C, HM51S4260C Series

DC Characteristics ($T_a = 0$ to 70°C , $V_{CC} = 5\text{ V} \pm 5\%$, $V_{SS} = 0\text{ V}$) (HM51(S)4260C-6R)
 ($T_a = 0$ to 70°C , $V_{CC} = 5\text{ V} \pm 10\%$, $V_{SS} = 0\text{ V}$)
 (HM51(S)4260C-6/7/8) (cont)

HM514260C, HM51S4260C									
		-6/-6R		-7		-8			
Parameter	Symbol	Min	Max	Min	Max	Min	Max	Unit	Test Conditions
Input leakage current	I_{LI}	-10	10	-10	10	-10	10	μA	$0\text{ V} \leq V_{in} \leq 6.5\text{ V}$
Output leakage current	I_{LO}	-10	10	-10	10	-10	10	μA	$0\text{ V} \leq V_{out} \leq 6.5\text{ V}$, Dout = disable
Output high voltage	V_{OH}	2.4	V_{CC}	2.4	V_{CC}	2.4	V_{CC}	V	High Iout = -5.0 mA
Output low voltage	V_{OL}	0	0.4	0	0.4	0	0.4	V	Low Iout = 4.2 mA

- Notes: 1. I_{CC} depends on output load condition when the device is selected. I_{CC} max is specified at the output open condition.
 2. Address can be changed once or less while $\overline{RAS} = V_{IL}$.
 3. Address can be changed once or less while \overline{UCAS} and $\overline{LCAS} = V_{IH}$.
 4. $V_{IH} \geq V_{CC} - 0.2\text{ V}$, $0 \leq V_{IL} \leq 0.2\text{ V}$, Address can be changed once or less while $\overline{RAS} = V_{IL}$.
 5. All the V_{CC} pins shall be supplied with the same voltage. And all the V_{SS} pins shall be supplied with the same voltage.

Capacitance ($T_a = +25^\circ\text{C}$, $V_{CC} = 5\text{ V} \pm 5\%$) (HM51(S)4260C-6R)
 ($T_a = +25^\circ\text{C}$, $V_{CC} = 5\text{ V} \pm 10\%$) (HM51(S)4260C-6/7/8)

Parameter	Symbol	Typ	Max	Unit	Notes
Input capacitance (Address)	C_{I1}	—	5	pF	1
Input capacitance (Clocks)	C_{I2}	—	7	pF	1
Output capacitance (Data-in, Data-out)	$C_{I/O}$	—	10	pF	1, 2

- Notes: 1. Capacitance measured with Boonton Meter or effective capacitance measuring method.
 2. \overline{UCAS} and $\overline{LCAS} = V_{IH}$ to disable Dout

HM514260C, HM51S4260C Series

AC Characteristics ($T_a = 0$ to 70°C , $V_{CC} = 5\text{ V} \pm 5\%$, $V_{SS} = 0\text{ V}$)
 (HM51(S)4260C-6R)^{*1, *14, *15, *17, *18}
 ($T_a = 0$ to 70°C , $V_{CC} = 5\text{ V} \pm 10\%$, $V_{SS} = 0\text{ V}$)
 (HM51(S)4260C-6/7/8)^{*1, *14, *15, *17, *18}

Test Conditions

- Input rise and fall time: 5 ns
 - Input timing reference levels: 0.8 V, 2.4 V
 - Input levels: 0 V, 3 V
- Output load: 2 TTL gate + C_L (50 pF) (HM51(S)4260C-6R) (Including scope and jig)
 2 TTL gate + C_L (100 pF) (HM51(S)4260-6/7/8) (Including scope and jig)

Read, Write, Read-Modify-Write and Refresh Cycles (Common Parameters)

HM514260C, HM51S4260C									
		-6/-6R		-7		-8			
Parameter	Symbol	Min	Max	Min	Max	Min	Max	Unit	Notes
Random read or write cycle time	t_{RC}	110	—	130	—	150	—	ns	
\overline{RAS} precharge time	t_{RP}	40	—	50	—	60	—	ns	
\overline{RAS} pulse width	t_{RAS}	60	10000	70	10000	80	10000	ns	
\overline{CAS} pulse width	t_{CAS}	15	10000	20	10000	20	10000	ns	23
Row address setup time	t_{ASR}	0	—	0	—	0	—	ns	
Row address hold time	t_{RAH}	10	—	10	—	10	—	ns	
Column address setup time	t_{ASC}	0	—	0	—	0	—	ns	19
Column address hold time	t_{CAH}	15	—	15	—	15	—	ns	19
\overline{RAS} to \overline{CAS} delay time	t_{RCD}	20	45	20	50	20	60	ns	8
\overline{RAS} to column address delay time	t_{RAD}	15	30	15	35	15	40	ns	9
\overline{RAS} hold time	t_{RSH}	15	—	20	—	20	—	ns	
\overline{CAS} hold time	t_{CSH}	60	—	70	—	80	—	ns	
\overline{CAS} to \overline{RAS} precharge time	t_{CRP}	10	—	15	—	15	—	ns	20
\overline{OE} to Din delay time	t_{ODD}	15	—	20	—	20	—	ns	
\overline{OE} delay time from Din	t_{DZO}	0	—	0	—	0	—	ns	
\overline{CAS} setup time from Din	t_{DZC}	0	—	0	—	0	—	ns	
Transition time (rise and fall)	t_T	3	50	3	50	3	50	ns	7
Refresh period	t_{REF}	—	8	—	8	—	8	ms	
Refresh period (L-version)	t_{REF}	—	128	—	128	—	128	ms	

HM514260C, HM51S4260C Series

Read Cycle

HM514260C, HM51S4260C									
		-6/-6R		-7		-8			
Parameter	Symbol	Min	Max	Min	Max	Min	Max	Unit	Notes
Access time from $\overline{\text{RAS}}$	t_{RAC}	—	60	—	70	—	80	ns	2, 3
Access time from $\overline{\text{CAS}}$	t_{CAC}	—	15	—	20	—	20	ns	3, 4, 13
Access time from address	t_{AA}	—	30	—	35	—	40	ns	3, 5, 13
Access time from $\overline{\text{OE}}$	t_{OAC}	—	15	—	20	—	20	ns	23
Read command setup time	t_{RCS}	0	—	0	—	0	—	ns	19
Read command hold time to $\overline{\text{CAS}}$	t_{RCH}	0	—	0	—	0	—	ns	16, 19
Read command hold time to $\overline{\text{RAS}}$	t_{RRH}	0	—	0	—	0	—	ns	16
Column address to $\overline{\text{RAS}}$ lead time	t_{RAL}	30	—	35	—	40	—	ns	
Output buffer turn-off time	t_{OFF1}	0	15	0	15	0	15	ns	6
Output buffer turn-off to $\overline{\text{OE}}$	t_{OFF2}	0	15	0	15	0	15	ns	6
$\overline{\text{CAS}}$ to Din delay time	t_{CDD}	15	—	15	—	15	—	ns	

Write Cycle

HM514260C, HM51S4260C									
		-6/-6R		-7		-8			
Parameter	Symbol	Min	Max	Min	Max	Min	Max	Unit	Notes
Write command setup time	t_{WCS}	0	—	0	—	0	—	ns	10, 19
Write command hold time	t_{WCH}	15	—	15	—	15	—	ns	19
Write command pulse width	t_{WP}	10	—	10	—	10	—	ns	
Write command to $\overline{\text{RAS}}$ lead time	t_{RWL}	20	—	20	—	20	—	ns	
Write command to $\overline{\text{CAS}}$ lead time	t_{CWL}	20	—	20	—	20	—	ns	21
Data-in setup time	t_{DS}	0	—	0	—	0	—	ns	11
Data-in hold time	t_{DH}	15	—	15	—	15	—	ns	11
$\overline{\text{CAS}}$ to $\overline{\text{OE}}$ delay time	t_{COD}	—	0	—	0	—	0	ns	23

HM514260C, HM51S4260C Series

Read-Modify-Write Cycle

HM514260C, HM51S4260C									
		-6/-6R		-7		-8			
Parameter	Symbol	Min	Max	Min	Max	Min	Max	Unit	Notes
Read-modify-write cycle time	t_{RWC}	150	—	180	—	200	—	ns	
\overline{RAS} to \overline{WE} delay time	t_{RWD}	80	—	95	—	105	—	ns	10
\overline{CAS} to \overline{WE} delay time	t_{CWD}	35	—	45	—	45	—	ns	10
Column address to \overline{WE} delay time	t_{AWD}	50	—	60	—	65	—	ns	10, 13
\overline{OE} hold time from \overline{WE}	t_{OEh}	15	—	20	—	20	—	ns	

Refresh Cycle

HM514260C, HM51S4260C									
		-6/-6R		-7		-8			
Parameter	Symbol	Min	Max	Min	Max	Min	Max	Unit	Note
\overline{CAS} setup time (CBR refresh cycle)	t_{CSR}	10	—	10	—	10	—	ns	19
\overline{CAS} hold time (CBR refresh cycle)	t_{CHR}	10	—	10	—	10	—	ns	20
\overline{RAS} precharge to \overline{CAS} hold time	t_{RPC}	10	—	10	—	10	—	ns	19
\overline{CAS} precharge time in normal mode	t_{CPN}	10	—	10	—	10	—	ns	22

Fast Page Mode Cycle

HM514260C, HM51S4260C									
		-6/-6R		-7		-8			
Parameter	Symbol	Min	Max	Min	Max	Min	Max	Unit	Notes
Fast page mode cycle time	t_{PC}	40	—	45	—	50	—	ns	
Fast page mode \overline{CAS} precharge time	t_{CP}	10	—	10	—	10	—	ns	22
Fast page mode \overline{RAS} pulse width	t_{RASC}	—	100000	—	100000	—	100000	ns	12
Access time from \overline{CAS} precharge	t_{ACP}	—	35	—	40	—	45	ns	3, 13, 20
\overline{RAS} hold time from \overline{CAS} precharge	t_{RHCP}	35	—	40	—	45	—	ns	
Fast page mode read-modify-write cycle CAS precharge to \overline{WE} delay time	t_{CPW}	55	—	65	—	70	—	ns	
Fast page mode read-modify-write cycle time	t_{PCM}	80	—	95	—	100	—	ns	



HM514260C, HM51S4260C Series

Self refresh Mode

Parameter	Symbol	HM51S4260C						Unit	Notes
		-6/-6R		-7		-8			
		Min	Max	Min	Max	Min	Max		
$\overline{\text{RAS}}$ pulse width (self refresh)	t_{RASS}	100	—	100	—	100	—	μs	24, 25, 26
$\overline{\text{RAS}}$ precharge time (self refresh)	t_{RPS}	110	—	130	—	150	—	ns	
$\overline{\text{CAS}}$ hold time (self refresh)	t_{CHS}	-50	—	-50	—	-50	—	ns	21

- Notes:
- AC measurements assume $t_T = 5 \text{ ns}$.
 - Assumes that $t_{\text{RCD}} \leq t_{\text{RCD}}(\text{max})$ and $t_{\text{RAD}} \leq t_{\text{RAD}}(\text{max})$. If t_{RCD} or t_{RAD} is greater than the maximum recommended value shown in this table, t_{RAC} exceeds the value shown.
 - Measured with a load circuit equivalent to 2 TTL loads and 100 pF (HM51(S)4260C-6/7/8), 2 TTL 50 pF (HM51(S)4260C-6R).
 - Assumes that $t_{\text{RCD}} \geq t_{\text{RCD}}(\text{max})$ and $t_{\text{RAD}} \leq t_{\text{RAD}}(\text{max})$.
 - Assumes that $t_{\text{RCD}} \leq t_{\text{RCD}}(\text{max})$ and $t_{\text{RAD}} \geq t_{\text{RAD}}(\text{max})$.
 - $t_{\text{OFF}}(\text{max})$ defines the time at which the output achieves the open circuit condition and is not referred to output voltage levels.
 - $V_{\text{IH}}(\text{min})$ and $V_{\text{IL}}(\text{max})$ are reference levels for measuring timing of input signals. Also, transition times are measured between V_{IH} and V_{IL} .
 - Operation with the $t_{\text{RCD}}(\text{max})$ limit insures that $t_{\text{RAC}}(\text{max})$ can be met, $t_{\text{RCD}}(\text{max})$ is specified as a reference point only, if t_{RCD} is greater than the specified $t_{\text{RCD}}(\text{max})$ limit, then access time is controlled exclusively by t_{CAC} .
 - Operation with the $t_{\text{RAD}}(\text{max})$ limit insures that $t_{\text{RAC}}(\text{max})$ can be met, $t_{\text{RAD}}(\text{max})$ is specified as a reference point only, if t_{RAD} is greater than the specified $t_{\text{RAD}}(\text{max})$ limit, then access time is controlled exclusively by t_{AA} .
 - t_{WCS} , t_{RWD} , t_{CWD} and t_{AWD} are not restrictive operating parameters. They are included in the data sheet as electrical characteristics only: if $t_{\text{WCS}} \geq t_{\text{WCS}}(\text{min})$, the cycle is an early write cycle and the data out pin will remain open circuit (high impedance) throughout the entire cycle; if $t_{\text{RWD}} \geq t_{\text{RWD}}(\text{min})$, $t_{\text{CWD}} \geq t_{\text{CWD}}(\text{min})$, $t_{\text{AWD}} \geq t_{\text{AWD}}(\text{min})$ and $t_{\text{CPW}} \geq t_{\text{CPW}}(\text{min})$, the cycle is a read-modify-write and the data output will contain data read from the selected cell; if neither of the above sets of conditions is satisfied, the condition of the data out (at access time) is indeterminate.
 - These parameters are referred to $\overline{\text{CAS}}$ leading edge in an early write cycle and to $\overline{\text{WE}}$ leading edge in a delayed write or a read-modify-write cycle.
 - t_{RASC} defines $\overline{\text{RAS}}$ pulse width in fast page mode cycles.
 - Access time is determined by the longest among t_{AA} , t_{CAC} and t_{ACP} .
 - An initial pause of 100 μs is required after power up followed by a minimum of eight initialization cycles ($\overline{\text{RAS}}$ -only refresh cycle or $\overline{\text{CAS}}$ -before- $\overline{\text{RAS}}$ refresh cycle). If the internal refresh counter is used, a minimum of eight $\overline{\text{CAS}}$ -before- $\overline{\text{RAS}}$ refresh cycles is required.
 - In delayed write or read-modify-write cycles, $\overline{\text{OE}}$ must disable output buffer prior to applying data to the device.
 - Either t_{RCH} or t_{RRH} must be satisfied for a read cycle.
 - When both $\overline{\text{UCAS}}$ and $\overline{\text{LCAS}}$ go low at the same time, all 16-bits data are written into the device. $\overline{\text{UCAS}}$ and $\overline{\text{LCAS}}$ cannot be staggered within the same write/read cycles.
 - All the V_{CC} and V_{SS} pins shall be supplied with the same voltages.
 - t_{ASC} , t_{CAH} , t_{RCS} , t_{WCS} , t_{WCH} , t_{CSR} and t_{RPC} are determined by the earlier falling edge of $\overline{\text{UCAS}}$ or $\overline{\text{LCAS}}$.
 - t_{CRP} , t_{CHR} , t_{ACP} , t_{RCH} and t_{CPW} are determined by the later rising edge of $\overline{\text{UCAS}}$ or $\overline{\text{LCAS}}$.
 - t_{CWL} , t_{DH} , t_{DS} and t_{CHS} should be satisfied by both $\overline{\text{UCAS}}$ and $\overline{\text{LCAS}}$.

HM514260C, HM51S4260C Series

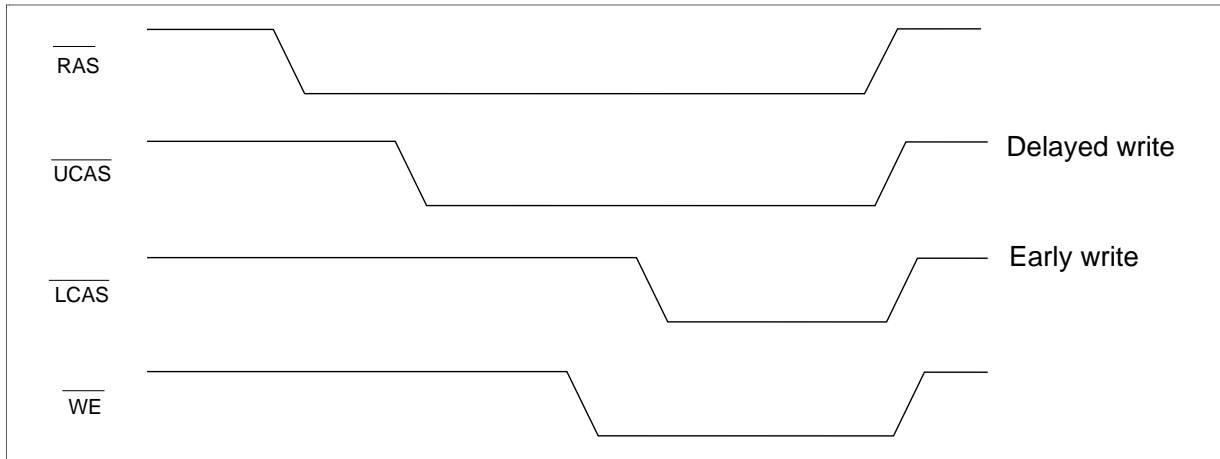
22. t_{CPN} and t_{CP} are determined by the time that both \overline{UCAS} and \overline{LCAS} are high.
23. When output buffers are enabled once, sustain the low impedance state until valid data is obtained. When output buffer is turned on and off within a very short time, generally it causes large V_{CC}/V_{SS} line noise, which causes to degrade $V_{IH\ min}/V_{IL\ max}$ level.
24. If you use distributed CBR refresh mode with 15.6 μs interval in normal read/write cycle, CBR refresh should be executed within 15.6 μs immediately after exiting from and before entering into self refresh mode.
25. If you use \overline{RAS} only refresh or CBR burst refresh mode in normal read/write cycle, 512 cycles of distributed CBR refresh with 15.6 μs interval should be executed within 8 ms immediately after exiting from and before entering into the self refresh mode.
26. Repetitive self refresh mode without refreshing all memory is not allowed. Once you exit from self refresh mode, all memory cells need to be refreshed before re-entering the self refresh mode again.
27.  H or L (H: $V_{IH\ (min)} \leq V_{IN} \leq V_{IH\ (max)}$, L: $V_{IL\ (min)} \leq V_{IN} \leq V_{IL\ (max)}$)
 Invalid Dout

HM514260C, HM51S4260C Series

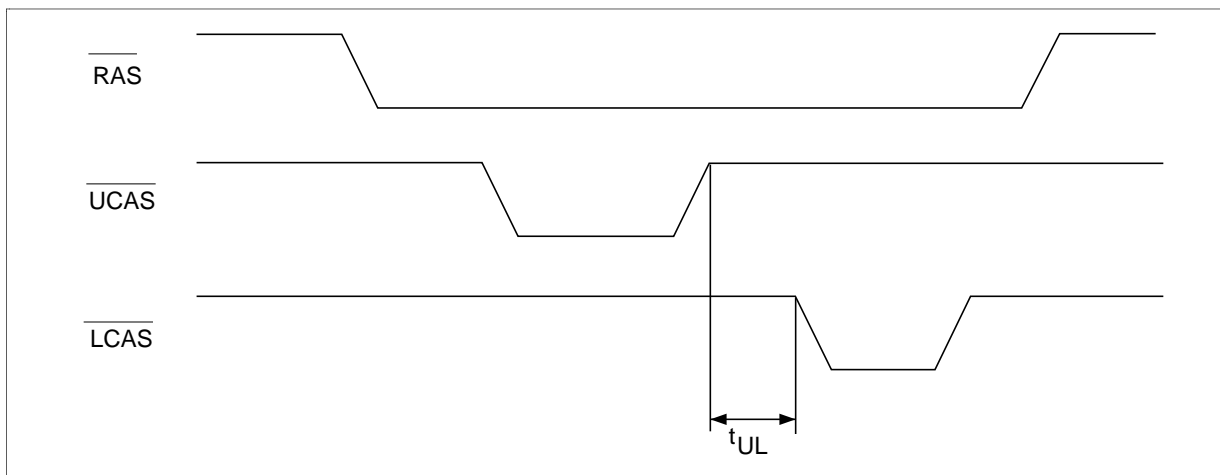
Notes concerning $\overline{2CAS}$ control

Please do not separate the $\overline{UCAS}/\overline{LCAS}$ operation timing intentionally. However skew between $\overline{UCAS}/\overline{LCAS}$ are allowed under the following conditions.

- (1) Each of the $\overline{UCAS}/\overline{LCAS}$ should satisfy the timing specifications individually.
- (2) Different operation mode for upper/lower byte is not allowed; such as following.

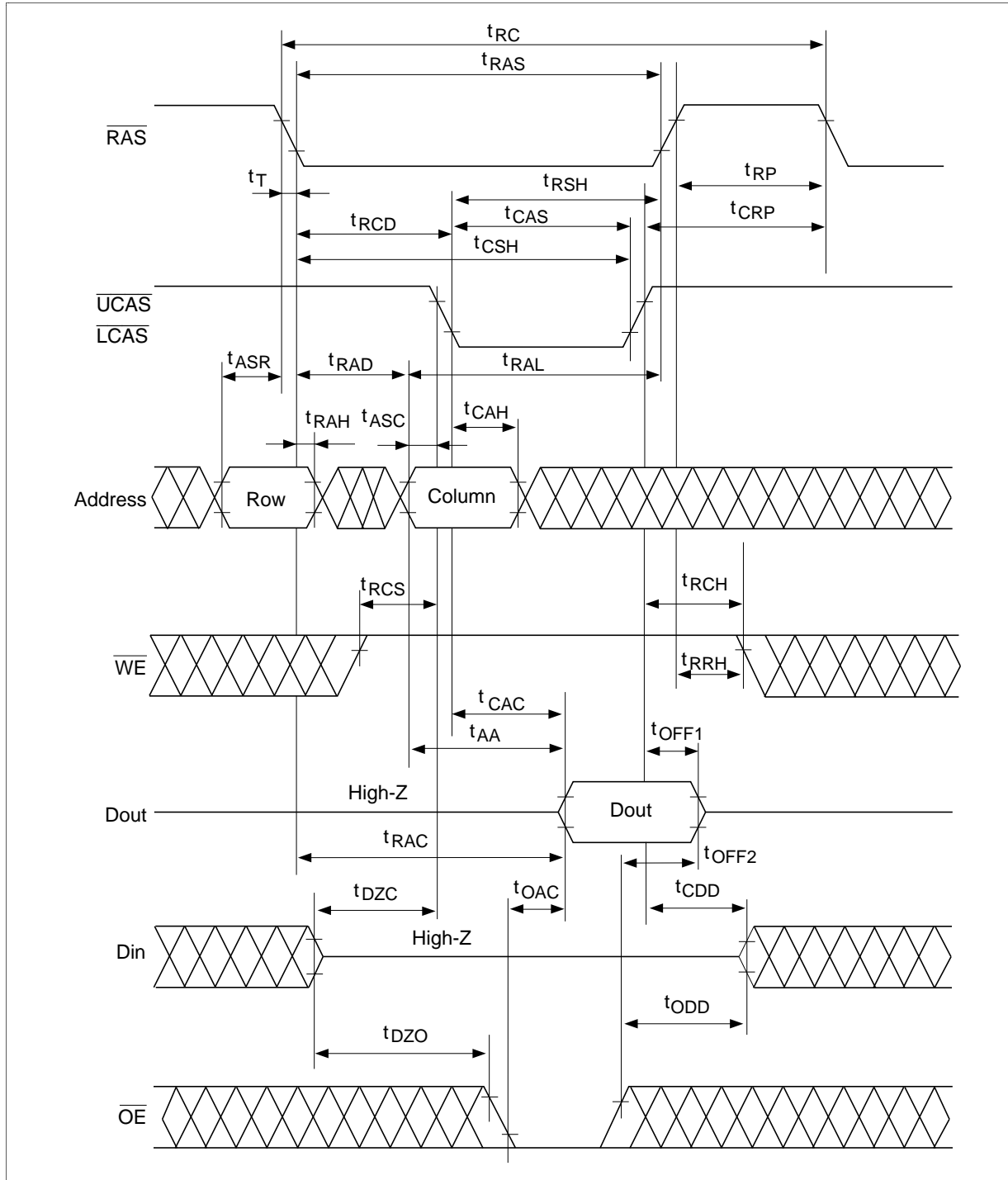


- (3) Closely separated upper/lower byte control is not allowed. However when the condition ($t_{CP} \leq t_{UL}$) is satisfied, fast page mode can be performed.



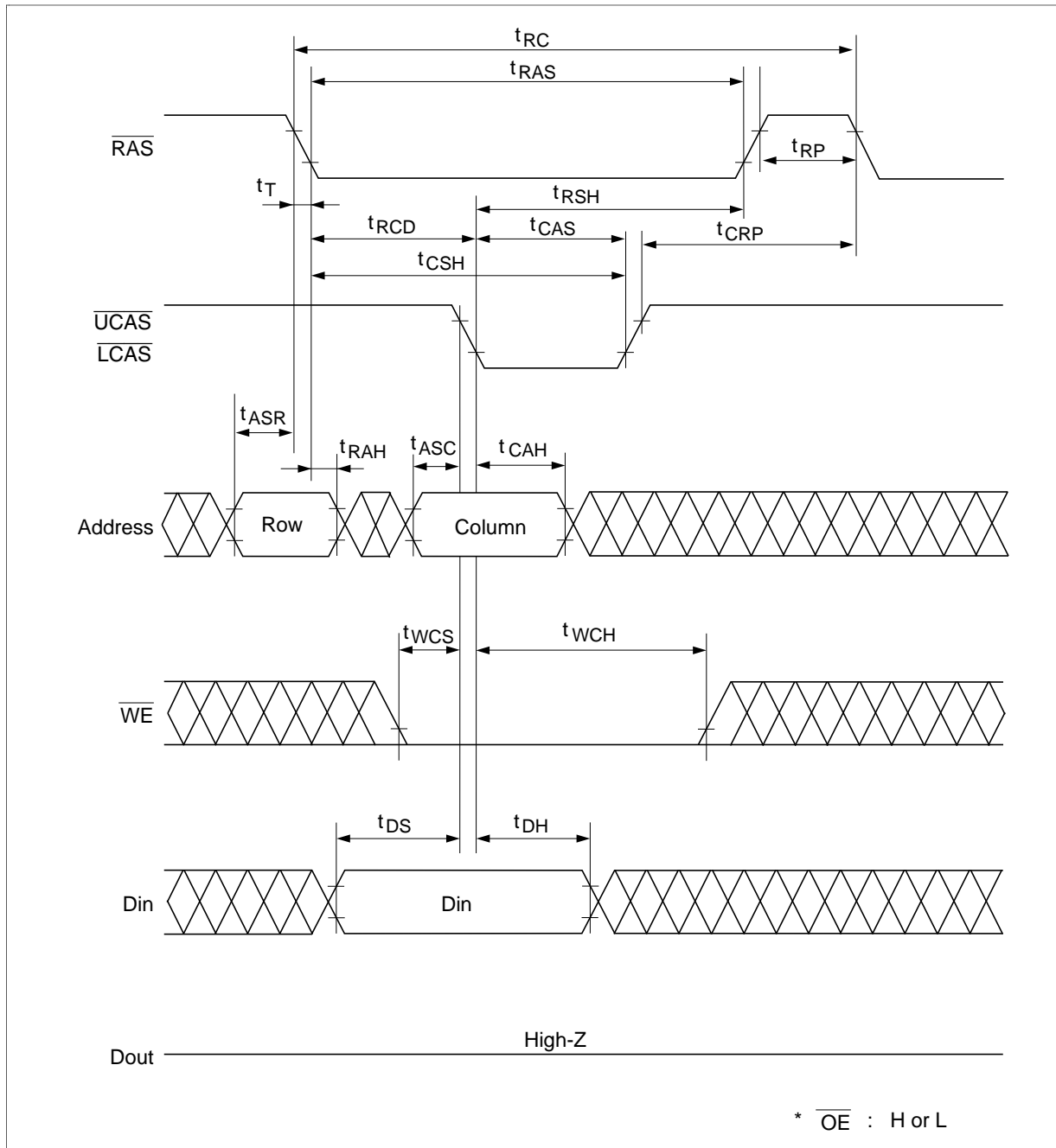
Timing Waveforms^{*27}

Read Cycle



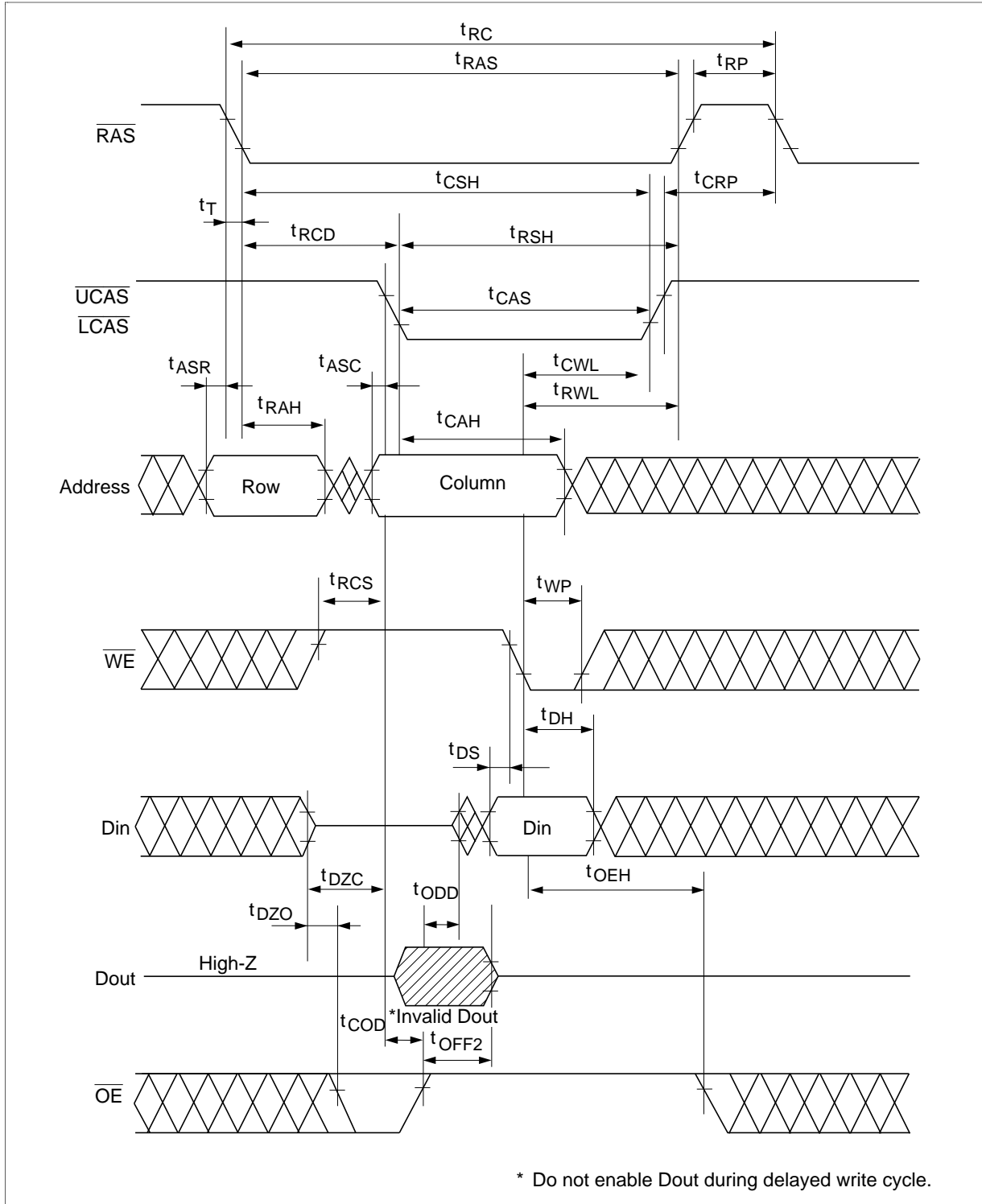
HM514260C, HM51S4260C Series

Early Write Cycle



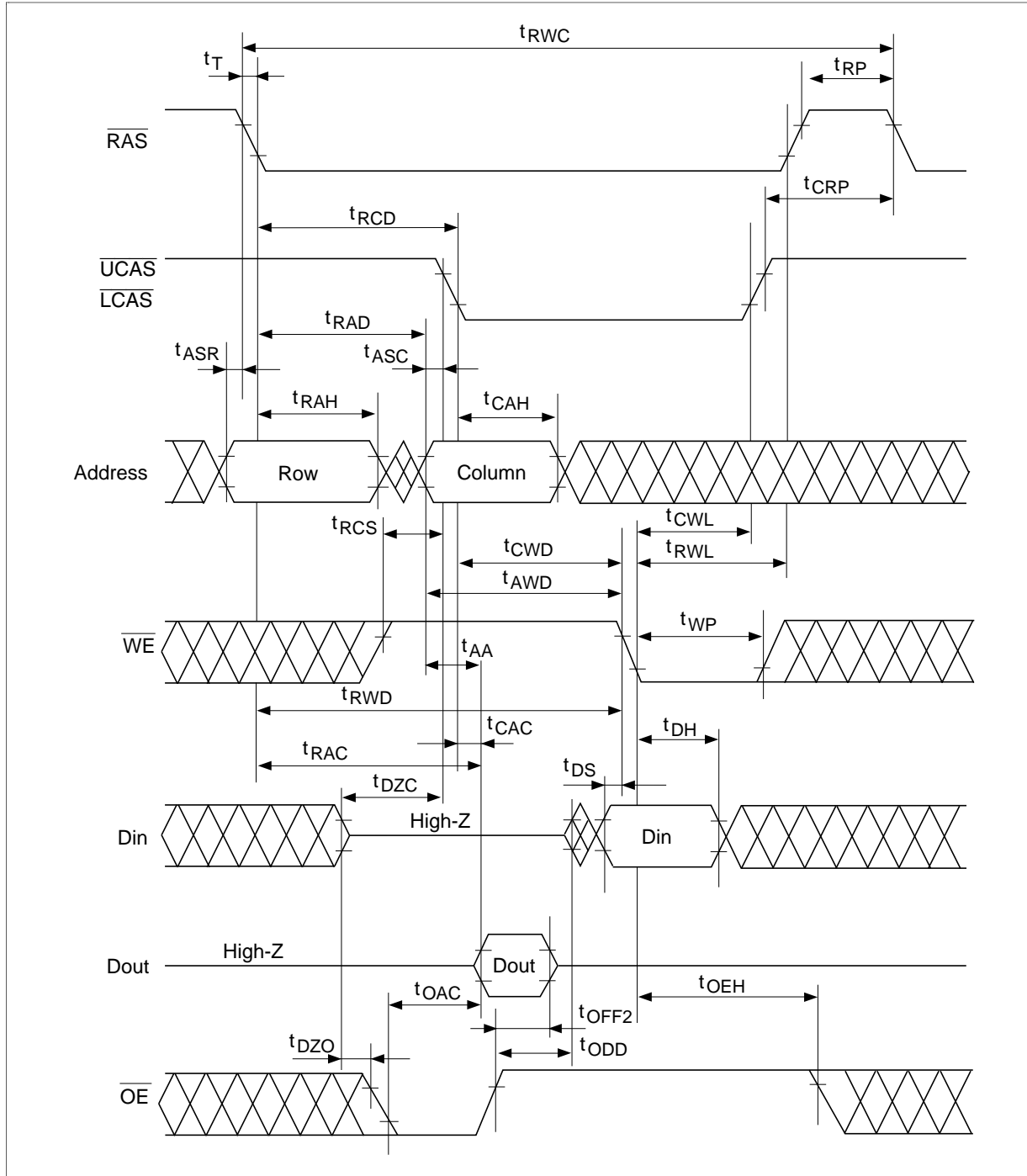
HM514260C, HM51S4260C Series

Delayed Write Cycle

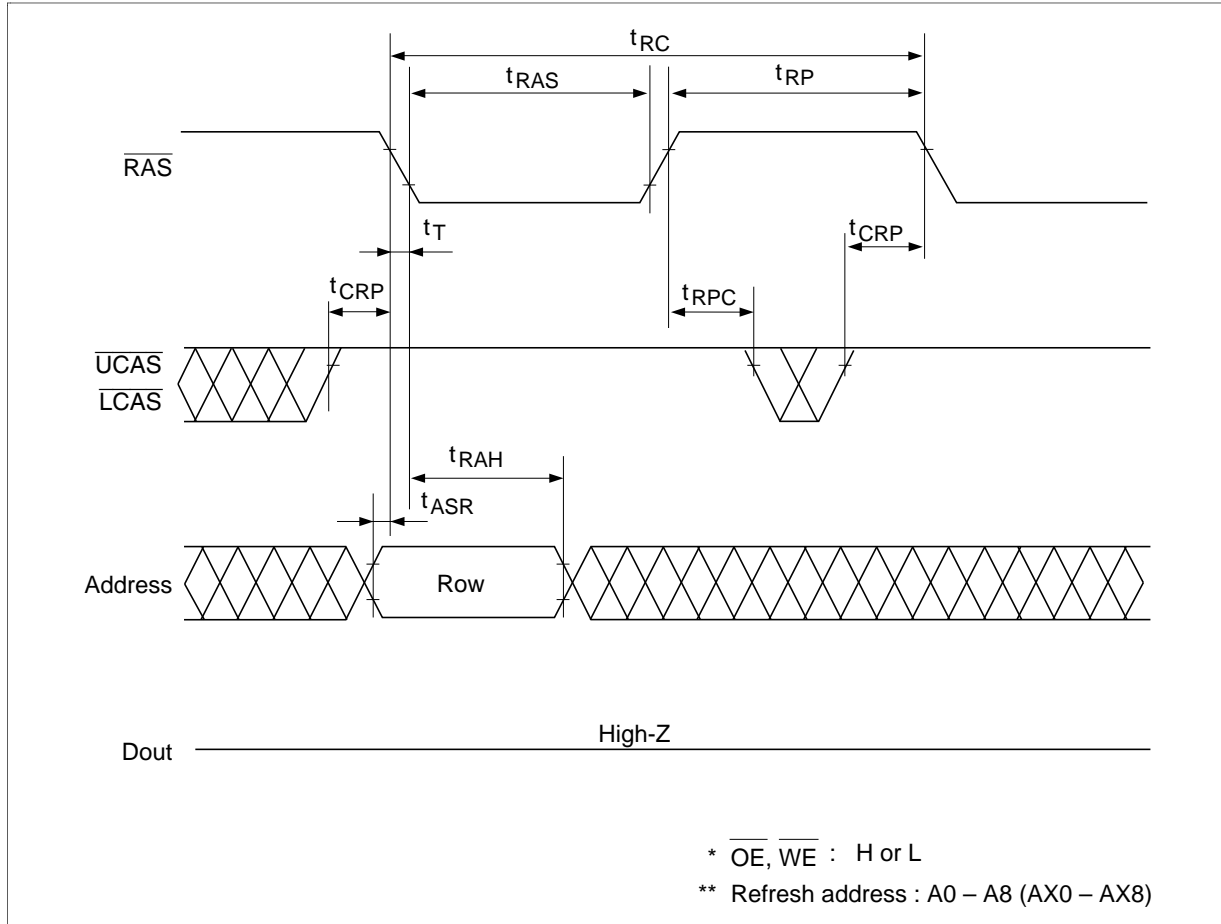


HM514260C, HM51S4260C Series

Read-Modify-Write Cycle

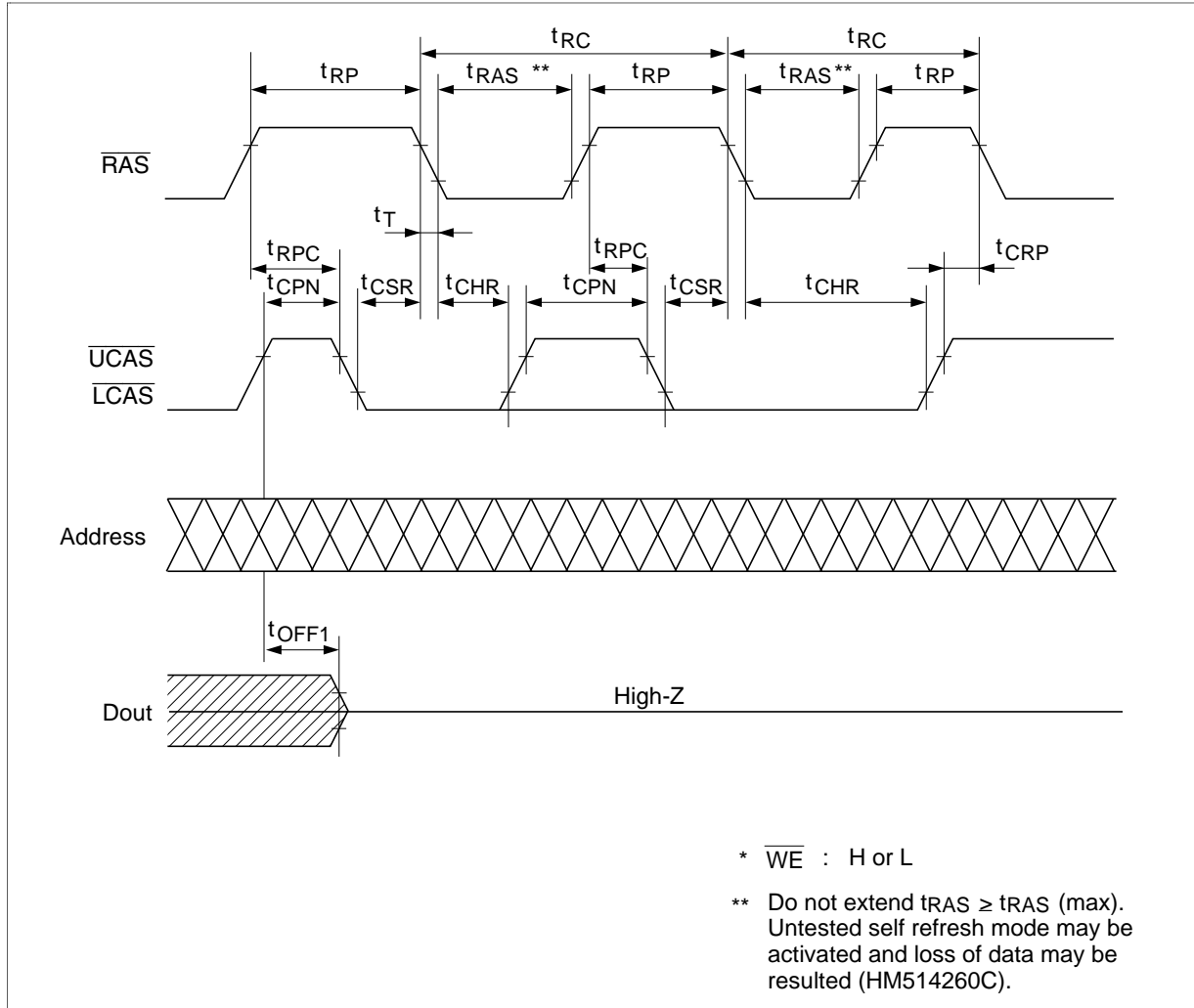


RAS-Only Refresh Cycle



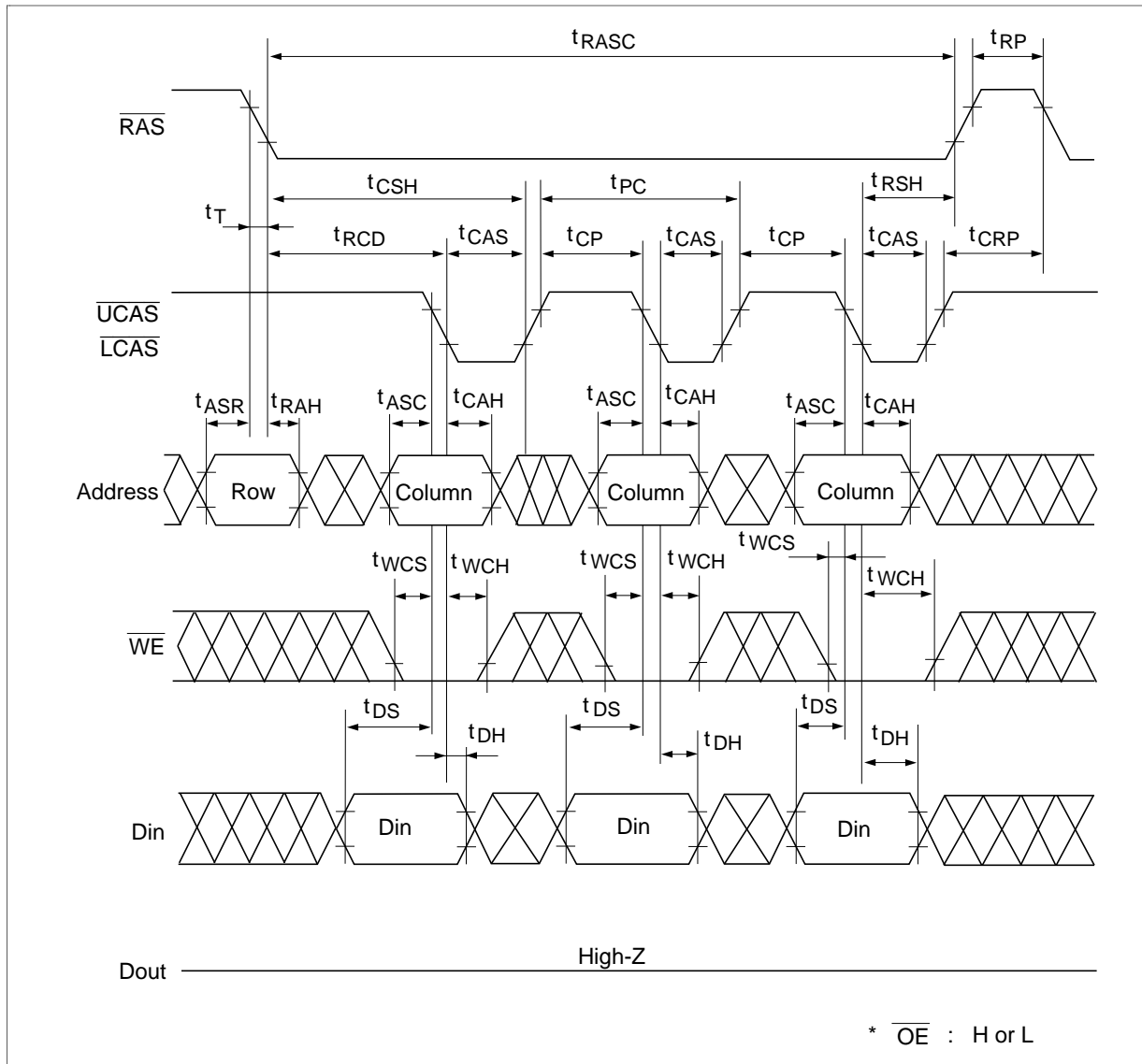
HM514260C, HM51S4260C Series

$\overline{\text{CAS}}$ -Before- $\overline{\text{RAS}}$ Refresh Cycle

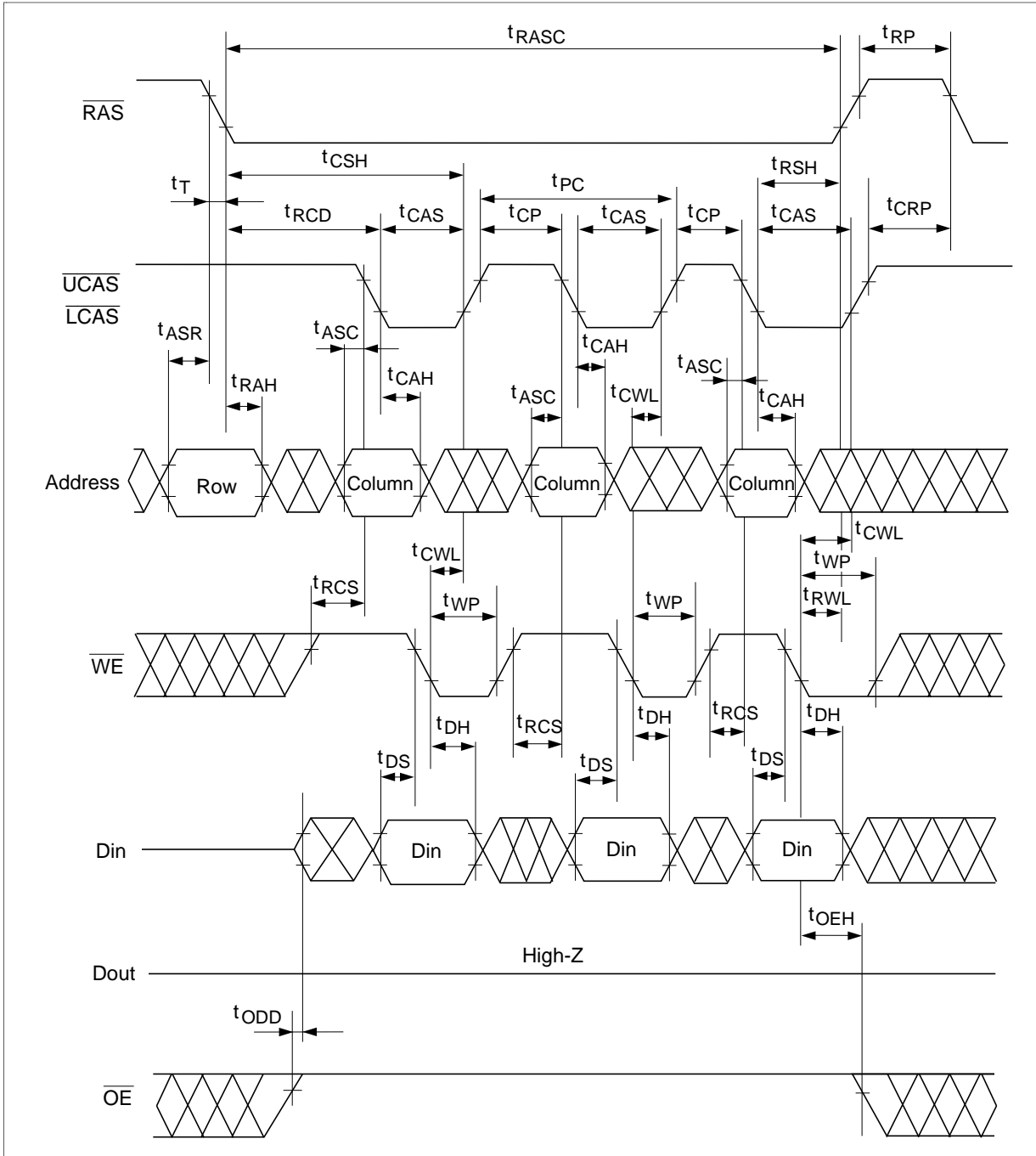


HM514260C, HM51S4260C Series

Fast Page Mode Early Write Cycle

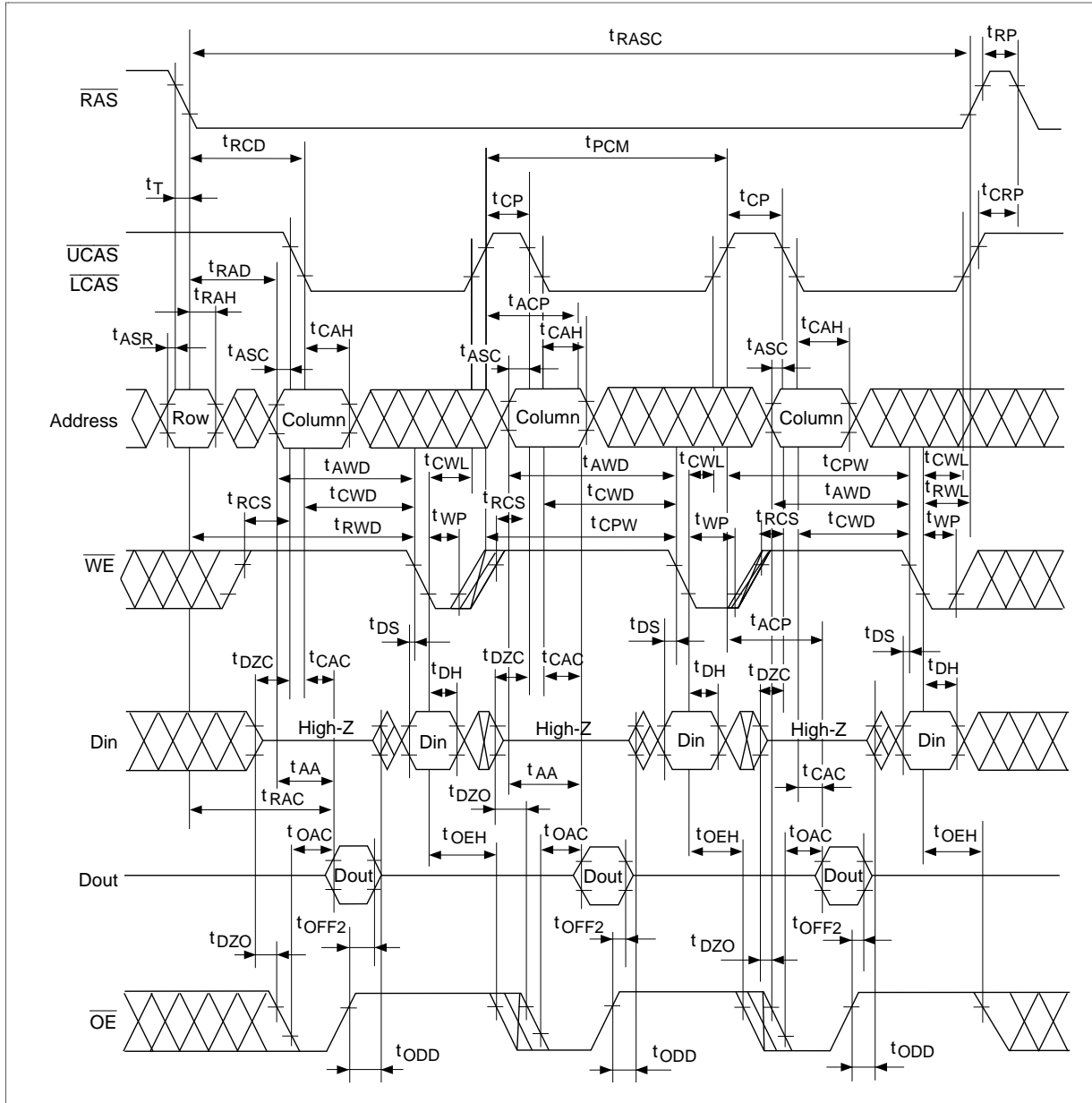


Fast Page Mode Delayed Write Cycle

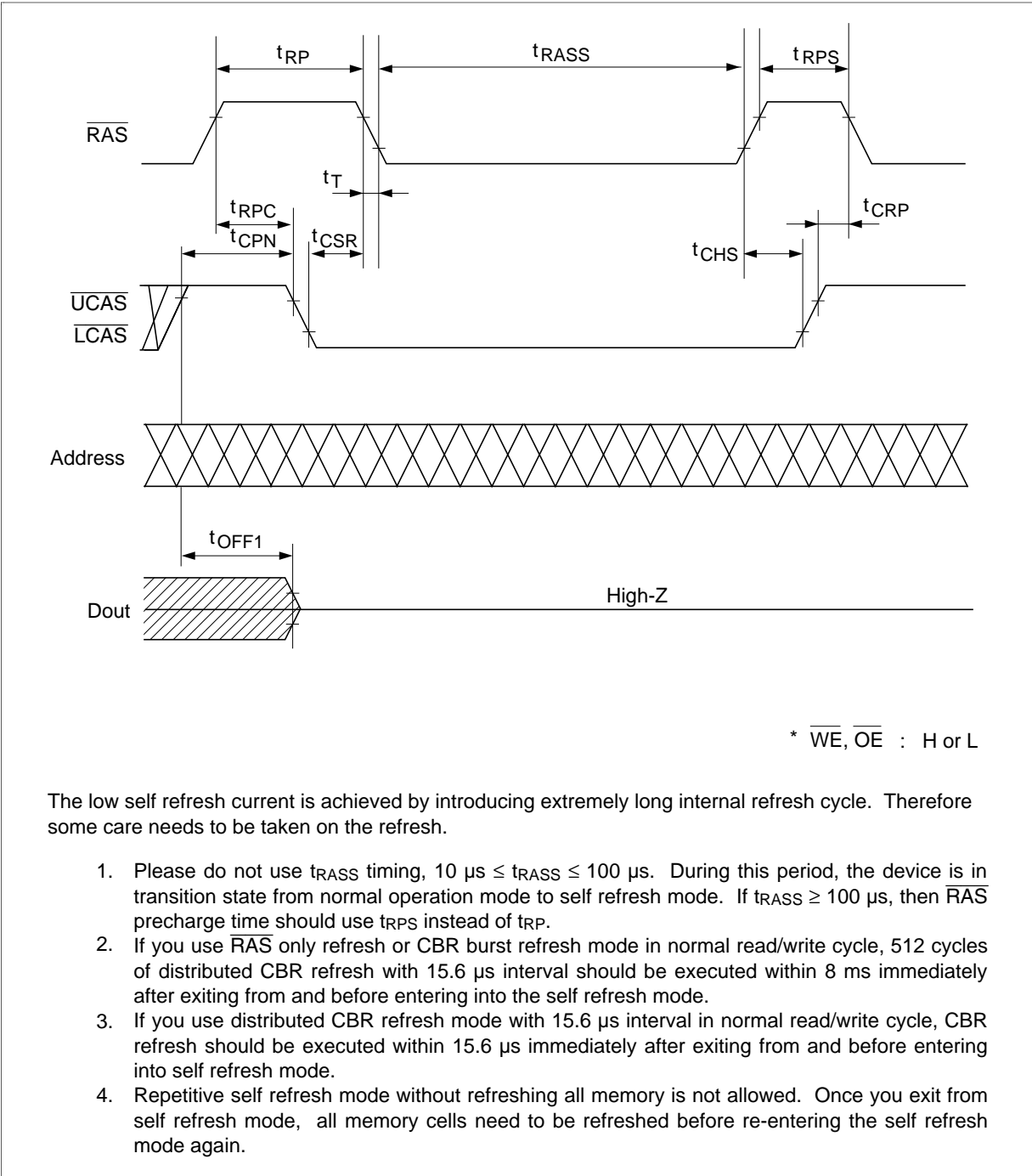


HM514260C, HM51S4260C Series

Fast Page Mode Read-Modify-Write Cycle



Self Refresh Cycle

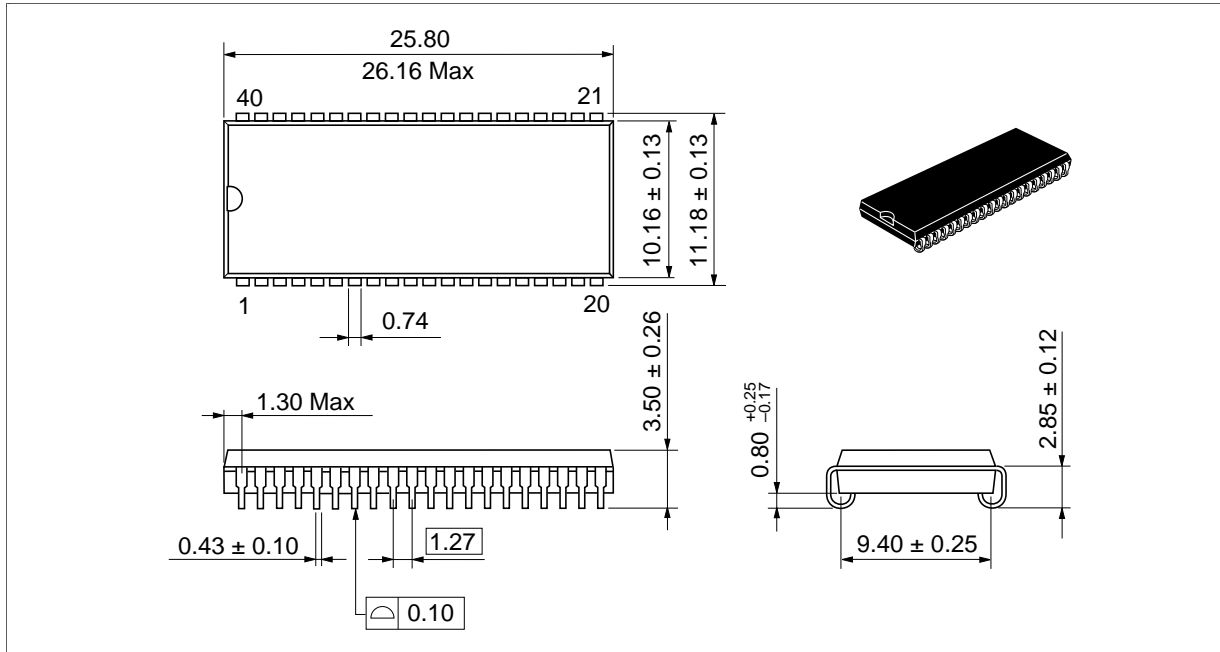


HM514260C, HM51S4260C Series

Package Dimensions

HM51(S)4260CJ/CLJ Series (CP-40DA)

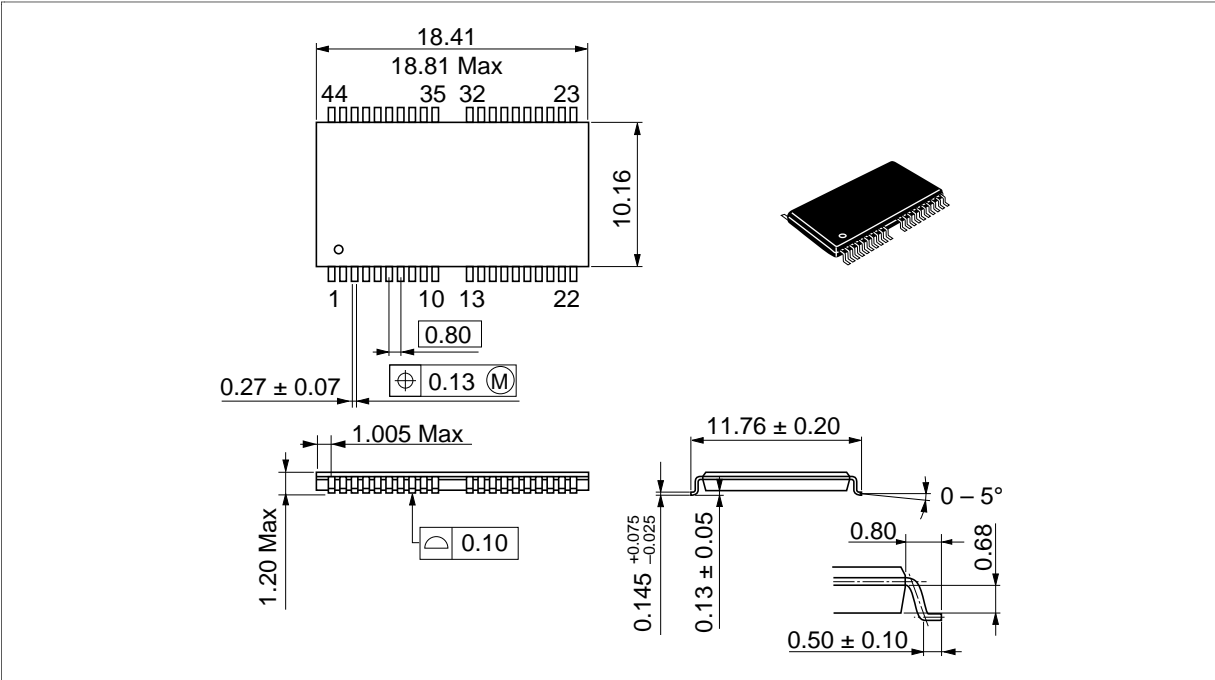
Unit: mm



HM514260C, HM51S4260C Series

HM51(S)4260CTT/CLTT Series (TTP44/40DB)

Unit: mm



HITACHI