

The NWK914D is a Physical Layer device designed for use in 100BASE-TX applications. The NWK914D has integrated the 100mb/s transceiver, clock and data recovery and NRZI conversion circuitry. It is designed for use in cost effective NIC adapter cards and 100BASE-TX repeater and switch applications.

The device connects through a 5 bit symbol interface directly with any MAC controller that includes the PCS layer, resulting in a simple and cost effective solution. It will also interface with a PCS device such as the NWK935 to form a complete 100BASE-TX Physical Layer for connection to the IEEE 802.3 standard MII interface.

### FEATURES

- Compatible with IEEE-802.3 Standards
- Operates over 100 Meters of STP and Category 5 UTP cable
- Five Bit TTL Level Symbol Interface
- Integrated Clock and Data Recovery
- Supports Full-duplex Operation
- Integral 10 Mb/s Buffer for Dual 10 Mb/s & 100 Mb/s Applications
- Adaptive Equalization
- 25MHz to 125MHz Transmit Clock Multiplier
- Programmable TX Output Current
- Base Line Wander Correction

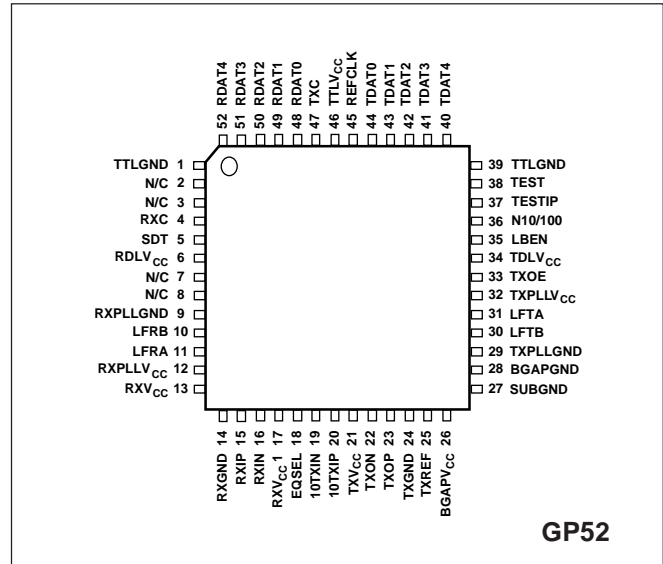


Fig.1 Pin connections - top view

- Single +5V supply
- 52 Pin PQFP package

### ORDERING INFORMATION NWK914D/CG/GP1N

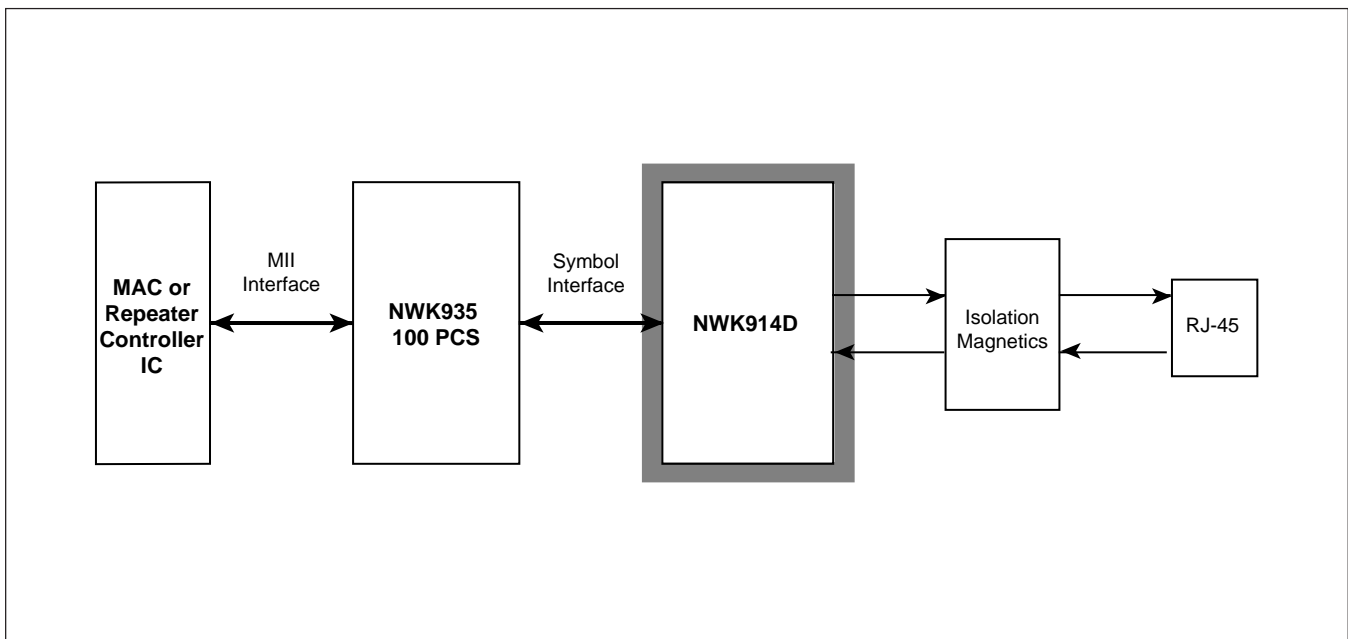


Fig.2 Simplified system diagram

# NWK914D

## ABSOLUTE MAXIMUM RATINGS

Operation at absolute maximum ratings is not implied. Exposure to stresses outside those listed could cause permanent damage to the device.

DC Supply voltage ( $V_{CC}$ )	-0.5 to +7V
Storage temperature (tst)	-65 to +150°C
ESD	2kV HBM

## RECOMMENDED OPERATING CONDITIONS

DC supply voltages ( $V_{CC}$ )	+5V ±5%
Operating temperature ( $T_A$ )	0°C to +70°C (+25°C typ.)
Power dissipation ( $P_D$ )	750mW (typ.)

## ELECTRICAL CHARACTERISTICS

Recommended operating conditions apply except where stated.

Characteristic	Symbol	Min.	Value Typ.	Max.	Units	Conditions
<b>DC characteristics</b>						
Total $V_{CC}$ supply current	$I_{CC}$	-	150	-	mA	device only
TTL high level I/P voltage	$V_{IH}$	2	-	-	V	
TTL low level I/P voltage	$V_{IL}$	-	-	0.8	V	
TTL high level I/P current	$I_{IH}$	-	-	20	µA	$V_{IH} = V_{CC}$
TTL low level I/P current	$I_{IL}$	-	-	-400	µA	$V_{IL} = 0.4V$
EQSEL high level I/P voltage	$V_{IH}$	4.2	-	-	V	
EQSEL low level I/P voltage	$V_{IL}$	-	-	0.8	V	
EQSEL floating level I/P	$V_{IZ}$	-	$V_{CC}/2$	-	V	
EQSEL high level I/P current	$I_{IH}$	-	-	1400	µA	$V_{IH} = V_{CC}$
EQSEL low level I/P current	$I_{IL}$	-	-	-1400	µA	$V_{IL} = 0V$
TTL high level O/P voltage	$V_{OH}$	2.4	-	-	V	$I_{OH} = 20\mu A$
TTL low level O/P voltage	$V_{OL}$	-	-	0.5	V	$I_{OL} = 4mA$
TTL high level O/P current	$I_{OH}$	-	-	-200	µA	
TTL low level O/P current	$I_{OL}$	-	-	4	mA	
Transmit O/P current pins TXOP, TXON		-	40	-	mA	$R_{REF} = 1300\Omega$ 100Mb/s data
Differential RX I/P signal voltage		-	1.4	-	Vp-p	measured on device pins 100Mb/s data, 0mCable
RX I/P common mode voltage		-	$V_{CC}/2$	-	V	RX I/Ps floating
RX I/P impedance		-	-	24	-	kΩ
Signal detect threshold	$V_{TH}$	-	50	-	%	wrt normalized output of equalizer
Low voltage shutdown		-	3.8	-	V	
<b>PLL characteristics</b>						
3dB bandwidth	-	50	-	-	kHz	
Damping factor	-	2	-	-		
Peaking	-	-	.005	-	dB	
Overshoot	-	-	5	-	%	
Static error	-	±0.5	-	-	ns	
Jitter	-	-	0.5	-	ns	
<b>VCO characteristics</b>						
Centre frequency		-	125	-	MHz	
Deviation		±40	-	-	MHz	
Gain @125MHz		70	-	-	MHz/V	

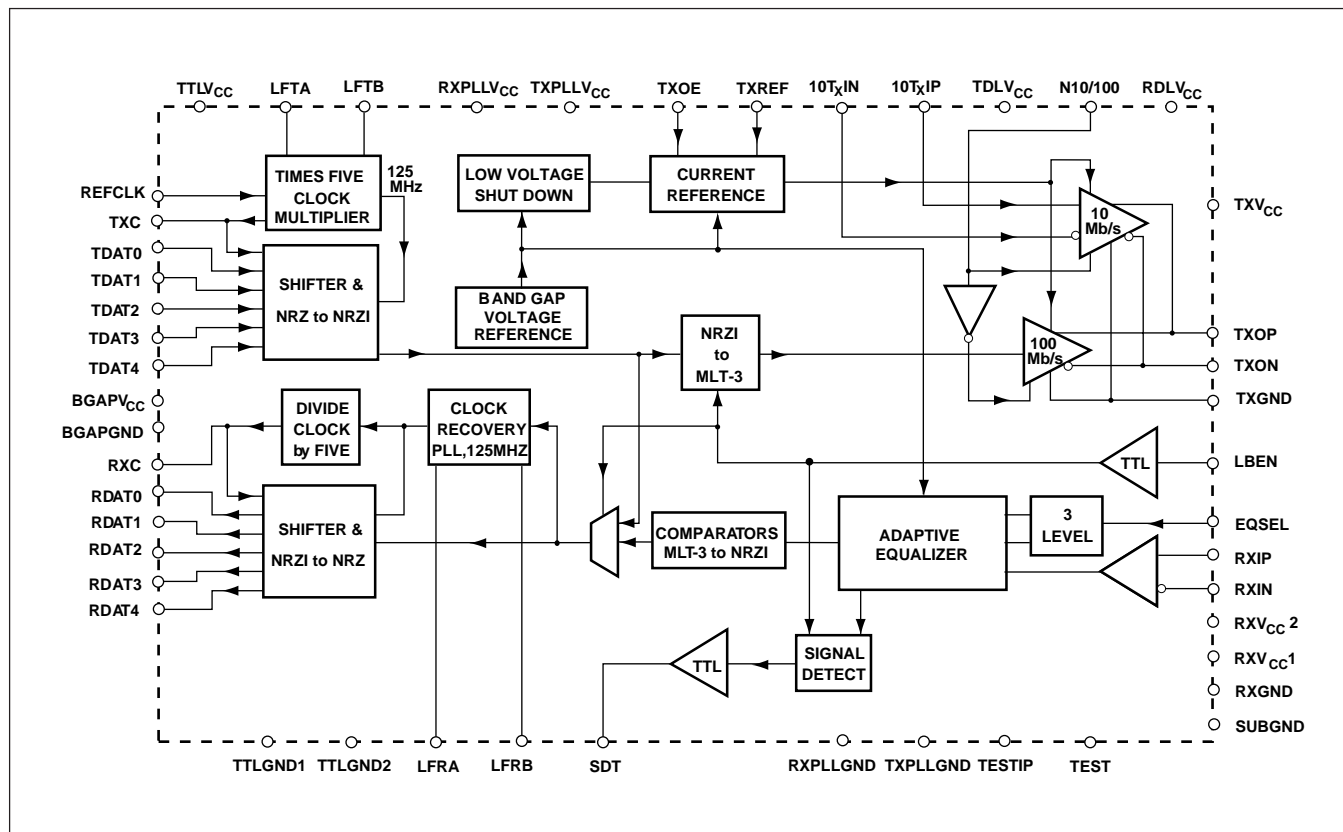


Fig.3 System block diagram

**FUNCTIONAL DESCRIPTION**

The functional blocks within the device are shown in Fig. 3. These are described below:-

**Transmit Section**

**Times Five Clock Multiplier 25MHz to 125MHz**

This circuit consists of a phase lock loop (PLL) that is operating at 125MHz, centre frequency. The 125MHz is divided by 5 to produce a 25MHz clock which is phase compared with a 25MHz crystal clock reference frequency which is input on pin REFCLK. The 25MHz clock (pin TXC) is then sent to the PCS layer to clock in in the 5 bit nibble data. Pins LFTA and LFTB are provided to set the VCO characteristics. The recommended loop filter components are shown in Fig.6.

A control current is derived from the clock multiplier and is used by the receive clock recovery circuit to centre the PLL when no input data is present.

**Five Bit Nibble to 125MHz Shifter**

Data is input to the transmit side in 5 bit wide parallel form on pins TDAT0 through TDAT4. This NRZ data is clocked in on the positive edge of the 25MHz clock pin TXC. The parallel data is first loaded into a 5 bit wide register prior to being loaded into a 5 bit PISO where it is converted into a serial data stream. The last stage of the shifter incorporates a converter to change the data from NRZ to NRZI.

**NRZ to MLT3 Encoder**

The serial data from the shifter then passes through an encoder which converts the NRZI binary data into the three level MLT-3 format for transmission by the 'TXO' outputs.

**Transmit Line Drivers**

There are two on-chip Line Drivers both of which share the output pins TXOP and TXON. The N10/100 pin is used to control which driver is active and allowed to drive the line. When held high the MLT-3 data is output by the 100Mb/s driver. This driver consists of differential current source outputs with programmable sink capability, designed to drive a nominal output impedance of 50Ω.

Output current is set by the value of an external resistor (R<sub>REF</sub>) between pin 'TXREF' and 'TXGND'.

This resistor defines an internal reference current derived from an on-chip bandgap reference.

Final output current at the 'TXO' outputs is a multiple of this current and is defined as:-

$$I_{TXO}(mA) = 52/R_{REF}(k\Omega)$$

Transition times of the 'TXO' outputs are matched and internally limited to approx. 2.5ns to reduce EMI emissions.

## NWK914D

When N10/100 is held low the 10Mb/s driver is selected. This 10Mb/s driver consists of a differential analog buffer designed to take a fully cable conditioned 10Mb/s signal from the filter output of existing 10BASE-T electronics. The 10BASE-T signal is input on pins 10TXIN and 10TXIP. The output current of the buffer is determined by the same external  $R_{REF}$  resistor on pin TXREF as used for the 100Mb/s driver.

The unselected driver is switched to a tristated power save mode. A low voltage shutdown circuit turns off both TX drivers when  $V_{CC}$  voltage falls to a level below the specified minimum.

When operating in single 100Mb/s applications a 1:1 turn ratio magnetics will be used and therefore to attain the desired line driving current of 40mA out of the secondary a TXO output drive of 40mA is required. Using the above formula it will be found that  $1.3\Omega$  is the nearest preferred value to that required to give the 40mA.

In the case of dual 10Mb/s and 100Mb/s applications a 2:1 turn ratio magnetics is recommended. The use of 2:1 magnetics enables a greater efficiency to be gained from the 10Mb/s driver by using a lower output current. At the same time this lower current is also true of the 100Mb/s output where now only a 20mA drive is required. An  $R_{REF}$  value of  $2.6K\Omega$  is used to set this current. Internal current ratioing within the device will ensure that the correct drive current is chosen depending upon whether the drives are in 10Mb/s or 100Mb/s mode as selected by pin N10/100.

The  $R_{REF}$  value can be adjusted to compensate for different magnetics and board layouts. The object is to achieve an output level of 2V p-p measured at the RJ45 socket in compliance with 802.3.

When the TXOE pin is held low the TXdrivers are tristated regardless of the mode selected by the N10/100 pin.

### Receiver Section

#### Equalizer

The equalizer circuit is necessary to compensate for signal degradation due to cable losses, however over-equalization must be avoided to prevent excessive overshoots resulting in errors during the reception of MLT-3 data. Three operating modes are therefore provided.

These three operating modes are controlled by the state of tristate input 'EQSEL' and are described below:-

##### 1) Auto Equalization ('EQSEL' floating)

Fully automatic equalization is achieved through the use of a feedback loop driven by a control signal derived from the signal amplitude. This provides adaptive control and prevents over-modulation of the signal when short cable lengths are used.

##### 2) Full Equalization ('EQSEL' low)

In this mode, full equalization is applied to the input signal irrespective of amplitude.

##### 3) No Equalization ('EQSEL' high)

The equalization circuit is disabled completely during this mode.

### Base Line Wander Correction

MLT-3 codes have significant low frequency components in their spectrum which are not transmitted through the transformers that couple the line to the board. This results in 'Base Line Wander', which can significantly reduce the noise immunity of the receiver.

The purpose of the correction circuit is to restore these low frequency components through the use of a feedback arrangement. The circuit will also correct any DC offset that may exist on the receive signal.

### Signal Detector

A signal detect circuit is provided which continuously monitors the amplitude of the input signal being received on pins RXIP and RXIN. After the input signal reaches the specified level which the equalizer can correctly equalize, SDT is asserted high. Conversely if the signal level falls below a limit for reliable operation then SDT will go low.

### Comparators MLT-3 to NRZ Decoder

The equalized MLT-3 data is then passed to a set of window comparators which are used to determine the signal level. The comparator outputs are OR'ed together to reconstitute the NRZI data.

### PLL Clock Recovery

This function consists of a 125MHz PLL that is locked to the incoming data stream. The PLL is first centred to the transmit clock multiplier using an internal analog reference signal. Once a valid input signal is present, the PLL will lock to, and thus extract the clock from, the incoming data stream. Pins LFRA and LFRB are provided to set the VCO characteristics. The recommended loop filter components are shown in Fig.6.

### 125MHz Shifter to Parallel Data

The 125Mb/s serial data stream with an accompanying phase related 125MHz clock is output from the PLL.

This data stream is clocked into the serial to parallel register using the 125MHz clock. This data is then latched prior to being clocked out on pins RDATA0 to RDATA4. A 25MHz clock, derived from the 125MHz PLL by a divide by 5, is used to clock the parallel data and is output to pin RXC.

### Loopback Logic

Pin 'LBEN' controls loopback operation. A low level on this pin defines normal operation, a high level defines loopback mode. In loopback mode, the transmit data is internally routed to the receive circuitry, SDT is forced high and the TXOP and TXON outputs are disabled.

### Test Pins and No-Connects

Two pins are provided on the product to aid testing in production. These pins TEST(38), and TESTIP(37) must be left unconnected for normal operation in application circuits.

Additionally, there are four No-Connect pins (2,3,7,8) which also must be left unconnected for normal operation.

**AC CHARACTERISTICS**

Recommended operating conditions apply except where stated.

Characteristic	Waveform Timing	Min.	Value Typ.	Max.	Units	Conditions
<b>AC characteristics</b>						
100Mb/s TX driver outputs rise/fall times pins TXOP, TXON		-	2.5	-	ns	100Ω differential load measured at RJ45
REFCLK frequency	1	-	25	-	MHz	
REFCLK tolerance	2	-	100	-	ppm	
REFCLK M/S ratio	3	40:60	-	60:40	%	
REFCLK to TXC propagation delay	4	5	-	13	ns	Tx PLL in lock
TDAT0 → 4 to TXC setup time	5	12	-	-	ns	
TDAT0 → 4 to TXC hold time	6	0	-	-	ns	
RDAT0 → 4 valid to RXC +Ve edge	7	10	-	-	ns	
RXC to RDAT0 → 4 invalid	8	10	-	-	ns	
RXC M/S ratio	9	45:55	-	55:45	%	
REFCLK to SDT transition		5	-	15	ns	

NOTE: Conditions for AC Characteristics:

All AC measurements are made at  $aV_{th} + 1.5V$  and with TTL output loaded with 25pf

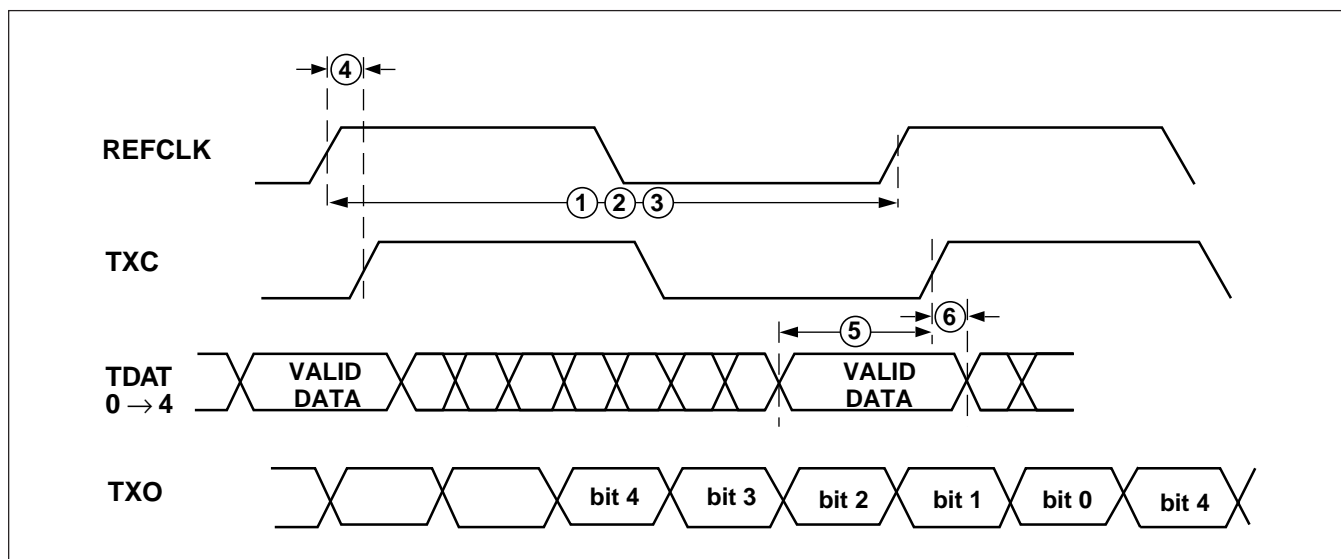


Fig.4 Transmit timing waveform

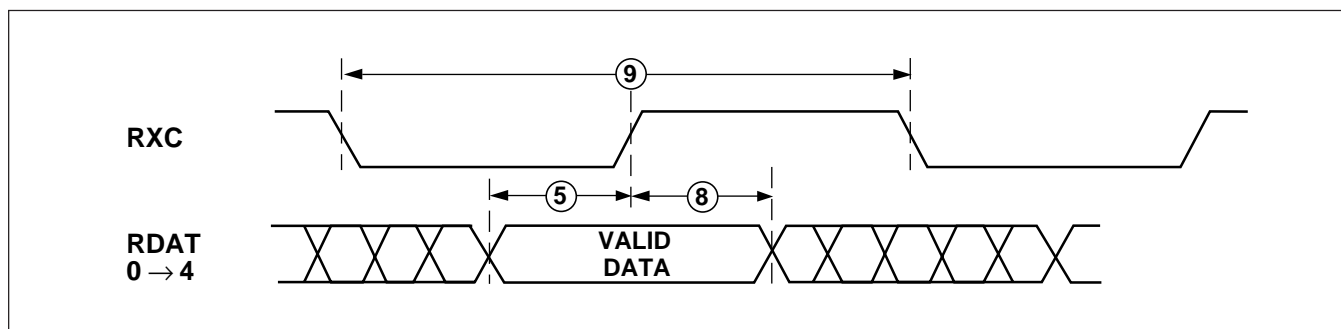


Fig.5 Receive timing waveform

# NWK914D

Pin Name	Pin Type	Pin Number	Pin Description
<b>SYMBOL Interface</b>			
RXC	TTLOP	4	25MHz recovered receive clock. This is aligned with and used to clock out the 5 bit parallel receive data to the PCS layer.
SDT	TTLOP	5	Signal detect output. This output is high when an input signal of sufficient amplitude is detected on the RXI inputs.
TDAT4	TTLIP	40	The 100BASE-TX transmit input bit 4
TDAT3	TTLIP	41	The 100BASE-TX transmit input bit 3
TDAT2	TTLIP	42	The 100BASE-TX transmit input bit 2
TDAT1	TTLIP	43	The 100BASE-TX transmit input bit 1
TDAT0	TTLIP	44	The 100BASE-TX transmit input bit 0
TXC	TTLOP	47	25MHz transmit clock. This is aligned with and used to clock in the 5 bit parallel 100BASE-TX transmit data from the PCS layer.
RDAT0	TTLOP	48	The 100BASE-TX receive output bit 0
RDAT1	TTLOP	49	The 100BASE-TX receive output bit 1
RDAT2	TTLOP	50	The 100BASE-TX receive output bit 2
RDAT3	TTLOP	51	The 100BASE-TX receive output bit 3
RDAT4	TTLOP	52	The 100BASE-TX receive output bit 4
<b>Network Interface</b>			
RXIP	analog input	15	+ Differential receive signal input from magnetics
RXIN	analog input	16	- Differential receive signal input from magnetics
TXON	analog output	22	- Differential transmit line driver outputs to magnetics
TXOP	analog output	23	+ Differential transmit line driver outputs to magnetics
<b>10BASE-T Interface</b>			
10TXIN	analog input	19	The filtered 10BASE-T transmit input (-)
10TXIP	analog input	20	The filtered 10BASE-T transmit input (+)
<b>Control Pins</b>			
N10/100	TTLIP	36	10/100 mode selection. A low selects the 10BASE-T mode and enables the data on pins 10TXIP/N to be out on the TXOP/N pins. A high selects the 100BASE-TX mode, enabling the 100Mb/s drivers.
EQSEL	3 level IP	18	Mode select input for equalizer. Normally this pin is left unconnected (floating) for auto-eq. mode. High selects minimum equalization. Low selects full equalization.
LBEN	TTLIP	35	Loopback enable input. A high on this pin selects the loopback mode and low selects normal operation.
TXOE	TTLIP	33	Transmit output enable. A high on this pin selects normal operation. A low on this pin puts both of the TX drivers in tri-state mode.
TESTIP	test	37	Test pin. This pin must be left unconnected for proper operation.
TEST	test	38	Test pin. This pin must be left unconnected for proper operation.
N/C		2,3,7,8	No connection. This pin must be left unconnected for proper operation.
<b>Component Connections</b>			
REFCLK	TTLIP	45	25MHz clock input. An external 25MHz oscillator is input to this pin.
TXREF	analog input	25	TXOP/N line driver current setting pin. Connects to TXGND through a resistor.
LFRB	analog	10	Differential loop filter pin for receive PLL (see fig.6)
LFRB	analog	11	Differential loop filter pin for receive PLL (see fig.6)
LFTB	analog	30	Differential loop filter pin for transmit clock PLL (see fig.6)
LFTA	analog	31	Differential loop filter pin for transmit clock PLL (see fig.6)
<b>Power</b>			
TTLGND	Power	1,39	GND for TTL logic I/Os
RDLV <sub>CC</sub>	Power	6	+5V supply to receive logic
RXPLL <sub>GND</sub>	Power	9	GND to receive PLL
RXPLL <sub>CC</sub>	Power	12	+5V supply to receive PLL
RXV <sub>CC2</sub>	Power	13	+5V supply to adaptive equalizer and QFB circuits
RXGND	Power	14	GND to to adaptive equalizer and QFB circuits
RXV <sub>CC1</sub>	Power	17	+5V supply to MLT-3 to NRZI converter
TXV <sub>CC</sub>	Power	21	+5V supply to transmit line driver circuits
TXGND	Power	24	GND to transmit line driver circuits
RXV <sub>CC</sub>	Power	26	+5V supply to on-chip bandgap reference
SUBGND	Power	27	Chip substrate GND connection
BGAPGND	Power	28	GND to on-chip bandgap reference
TXPLL <sub>GND</sub>	Power	29	GND to to transmit clock-multiplier PLL
TXPLL <sub>CC</sub>	Power	32	+5V supply to transmit clock-multiplier PLL
TDLV <sub>CC</sub>	Power	34	+5V supply to transmit logic
TXLV <sub>CC</sub>	Power	46	+5V supply to TTL logic I/Os

Table 1: Pin descriptions

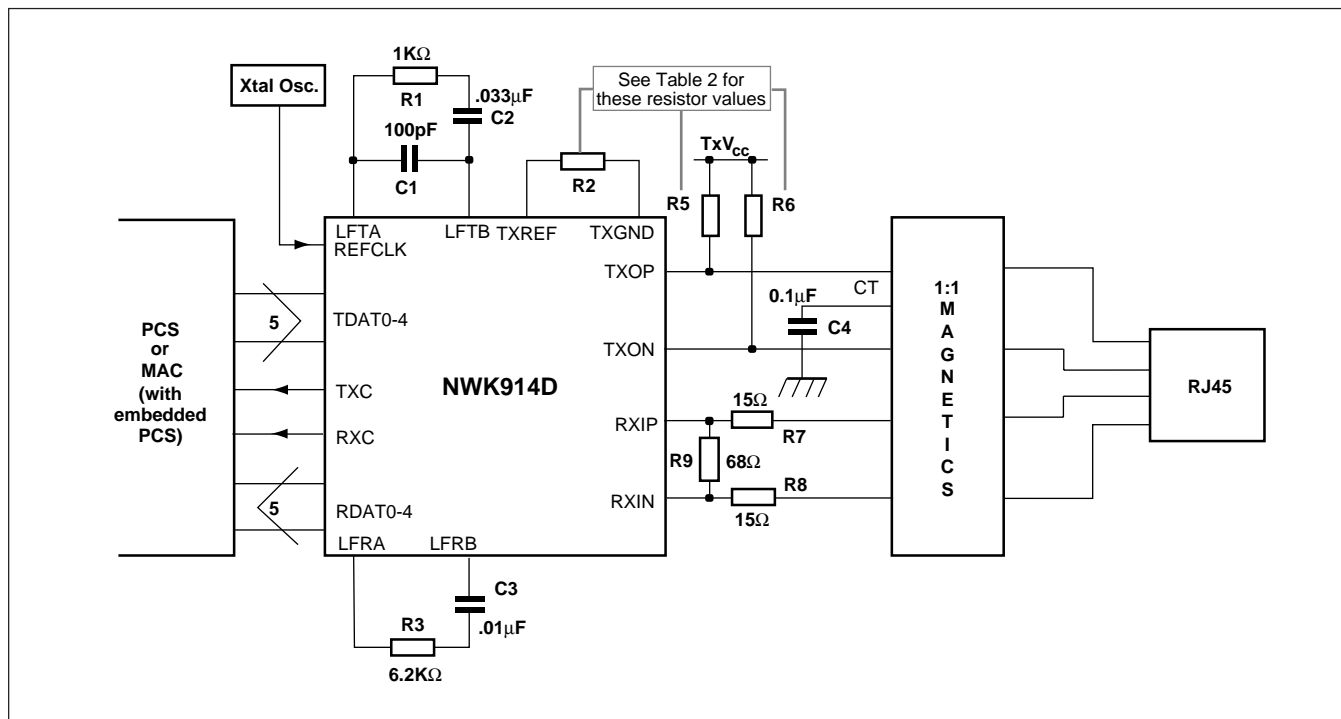


Fig.6 Simplified 100BASE-TX system block diagram showing NWK914D external components

REF.	VALUE	TOL.	FUNC.	NOTES
C1	100pF	20%	loop filtr	
C2	0.033μF	20%	loop filtr	
C3	.01μF	20%	loop filtr	
R1	1KΩ	1%	loop filtr	
R2	1300Ω	1%	tx ref	1:1 magnetics
R3	6.2KΩ	1%	loop filtr	
R5,R6	50Ω	1%	xmit	1:1 magnetics
R7,R8	15Ω	1%	rcv pad	
R9	68Ω	1%	rcv pad	
R2	2.6KΩ	1%	tx ref	2:1 magnetics
R5,R6	200Ω	1%	xmit	2:1 magnetics
CT on transformer connects directly to TX V <sub>CC</sub> with C4 omitted				2:1 magnetics

Table 2: External components

**EXTERNAL REQUIREMENTS**

The NWK914D requires a number of external components for the device to function correctly and these are shown in the simplified 100BASE-TX application circuit in Fig.6 and the component value information given in Table 2.

Note that the values of R2, R5 and R6 vary depending upon application. When using 1:1 magnetics, use the values shown in the middle of Table 2 with note "1:1 magnetics". When using 2:1 magnetics use the values shown in the last two lines of Table 2. Please refer to the Transmit Line Driver section on pages 3-4 for more information on these values.

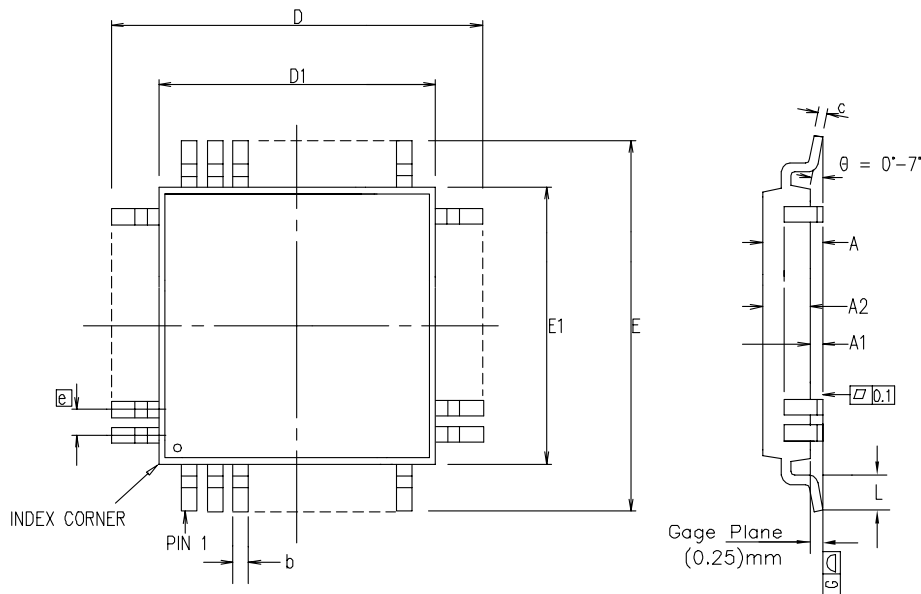
For more detailed Application information please contact your local Sales Office.

**GLOSSARY OF TERMS AND ABBREVIATIONS**

- MAC Media Access Control
- MLT-3 Multi Level Transmit -3 levels
- NRZ Non Return To Zero
- NRZI Non Return to Zero Inverse
- PCS Physical Coding Sublayer
- PHY PHYSICAL Layer
- PLL Phase Locked Loop
- PMD Physical Media Dependent
- UTP Unshielded Twisted Pair
- RX Receive
- STP Shielded Twisted Pair
- TX Transmit
- UTP Unshielded Twisted Pair
- VCO Voltage Controlled Oscillator

	NWK914B	NWK914S	NWK914D
Base Line Wander Correction	-	improved to 100m	improved to 100m
TXREF resistor with 1:1 magnetics	620Ω	680Ω	1300Ω

Table 3: Differences between NWK914B, NWK914S and NWK914D



Symbol	Control Dimensions in millimetres		Altern. Dimensions in inches	
	MIN	MAX	MIN	MAX
A	—	2.45	—	0.096
A1	0.00	0.25	0.000	0.010
A2	1.80	2.20	0.071	0.087
D	13.20	BSC	0.520	BSC
D1	10.00	BSC	0.394	BSC
E	13.20	BSC	0.520	BSC
E1	10.00	BSC	0.394	BSC
L	0.73	1.03	0.029	0.041
e	0.65	BSC.	0.026	BSC.
b	0.22	0.40	0.009	0.016
c	0.11	0.23	0.004	0.009
Pin features				
N	52			
ND	13			
NE	13			
NOTE	SQUARE			

Conforms to JEDEC MS-022 AC Iss. B

Notes:

1. Pin 1 indicator may be a corner chamfer, dot or both.
2. Controlling dimensions are in millimeters.
3. The top package body size may be smaller than the bottom package body size by a max. of 0.15 mm.
4. Dimension D1 and E1 do not include mould protrusion.
5. Dimension b does not include dambar protrusion.
6. Coplanarity, measured at seating plane G, to be 0.010 mm max.

© Mitel (1999) All rights reserved.

ORIGINATING SITE: SWINDON

ISSUE	1	2	3	4
ACN	202049	204614	205254	207058
DATE	20FEB97	22MAY98	25SEP98	30JUN99
APPD.				

MITEL SEMICONDUCTOR

Title: Package Outline Drawing for  
52L MQFP (GP)  
(10x10x2.0) mm, Body+3.2 mm

Drawing Number

GP00300





<http://www.mitelsemi.com>

**World Headquarters - Canada**

Tel: +1 (613) 592 2122  
Fax: +1 (613) 592 6909

**North America**

Tel: +1 (770) 486 0194  
Fax: +1 (770) 631 8213

**Asia/Pacific**

Tel: +65 333 6193  
Fax: +65 333 6192

**Europe, Middle East,  
and Africa (EMEA)**

Tel: +44 (0) 1793 518528  
Fax: +44 (0) 1793 518581

Information relating to products and services furnished herein by Mitel Corporation or its subsidiaries (collectively "Mitel") is believed to be reliable. However, Mitel assumes no liability for errors that may appear in this publication, or for liability otherwise arising from the application or use of any such information, product or service or for any infringement of patents or other intellectual property rights owned by third parties which may result from such application or use. Neither the supply of such information or purchase of product or service conveys any license, either express or implied, under patents or other intellectual property rights owned by Mitel or licensed from third parties by Mitel, whatsoever. Purchasers of products are also hereby notified that the use of product in certain ways or in combination with Mitel, or non-Mitel furnished goods or services may infringe patents or other intellectual property rights owned by Mitel.

This publication is issued to provide information only and (unless agreed by Mitel in writing) may not be used, applied or reproduced for any purpose nor form part of any order or contract nor to be regarded as a representation relating to the products or services concerned. The products, their specifications, services and other information appearing in this publication are subject to change by Mitel without notice. No warranty or guarantee express or implied is made regarding the capability, performance or suitability of any product or service. Information concerning possible methods of use is provided as a guide only and does not constitute any guarantee that such methods of use will be satisfactory in a specific piece of equipment. It is the user's responsibility to fully determine the performance and suitability of any equipment using such information and to ensure that any publication or data used is up to date and has not been superseded. Manufacturing does not necessarily include testing of all functions or parameters. These products are not suitable for use in any medical products whose failure to perform may result in significant injury or death to the user. All products and materials are sold and services provided subject to Mitel's conditions of sale which are available on request.

M Mitel (design) and ST-BUS are registered trademarks of MITEL Corporation  
Mitel Semiconductor is an ISO 9001 Registered Company  
Copyright 1999 MITEL Corporation  
All Rights Reserved  
Printed in CANADA

TECHNICAL DOCUMENTATION - NOT FOR RESALE