



# 0.5Ω/0.8Ω Low-Voltage, Dual SPDT Analog Switches in UCSP

**MAX4684/MAX4685**

## General Description

The MAX4684/MAX4685 low on-resistance ( $R_{ON}$ ), low-voltage, dual single-pole/double-throw (SPDT) analog switches operate from a single +1.8V to +5.5V supply. The MAX4684 features a 0.5Ω (max)  $R_{ON}$  for its NC switch and a 0.8Ω (max)  $R_{ON}$  for its NO switch at a +2.7V supply. The MAX4685 features a 0.8Ω max on-resistance for both NO and NC switches at a +2.7V supply.

Both parts feature break-before-make switching action (2ns) with  $t_{ON} = 50ns$  and  $t_{OFF} = 40ns$  at +3V. The digital logic inputs are 1.8V logic-compatible with a +2.7V to +3.3V supply.

The MAX4684/MAX4685 are packaged in the chip-scale package (UCSP)<sup>™</sup>, significantly reducing the required PC board area. The chip occupies only a 2.0mm × 1.50mm area. The 4 × 3 array of solder bumps are spaced with a 0.5mm bump pitch.

## Applications

Speaker Headset Switching  
MP3 Players  
Power Routing  
Battery-Operated Equipment  
Relay Replacement  
Audio and Video Signal Routing  
Communications Circuits  
PCMCIA Cards  
Cellular Phones  
Modems

UCSP is a trademark of Maxim Integrated Products, Inc.  
Rail-to-Rail is a registered trademark of Nippon Motorola, Ltd.

## Features

- ◆ 12-Bump, 0.5mm-Pitch UCSP
- ◆ NC Switch  $R_{ON}$   
0.5Ω max (+2.7V Supply) (MAX4684)  
0.8Ω max (+2.7V Supply) (MAX4685)
- ◆ NO Switch  $R_{ON}$   
0.8Ω max (+2.7V Supply)
- ◆  $R_{ON}$  Match Between Channels  
0.06Ω (max)
- ◆  $R_{ON}$  Flatness Over Signal Range  
0.15Ω (max)
- ◆ +1.8V to +5.5V Single-Supply Operation
- ◆ Rail-to-Rail<sup>®</sup> Signal Handling
- ◆ 1.8V Logic Compatibility
- ◆ Low Crosstalk: -68dB (100kHz)
- ◆ High Off-Isolation: -64dB (100kHz)
- ◆ THD: 0.03%
- ◆ 50nA (max) Supply Current
- ◆ Low Leakage Currents  
1nA (max) at  $T_A = +25^\circ C$

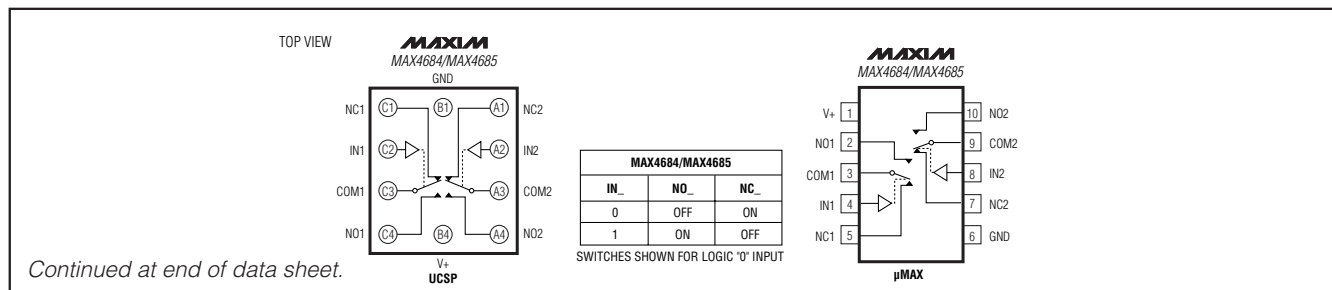
## Ordering Information

PART	TEMP RANGE	PIN/BUMP-PACKAGE	TOP MARK
MAX4684EBC	-40°C to +85°C	12 UCSP*	AAF
MAX4684ETB	-40°C to +85°C	10 Thin QFN (3 × 3)	AAG
MAX4684EUB	-40°C to +85°C	10 μMAX	—
MAX4685EBC	-40°C to +85°C	12 UCSP*	AAG
MAX4685ETB	-40°C to +85°C	10 Thin QFN (3 × 3)	AAH
MAX4685EUB	-40°C to +85°C	10 μMAX	—

**Note:** Requires special solder temperature profile describing the Absolute Maximum Ratings section.

\*UCSP reliability is integrally linked to the user's assembly methods, circuit board material, and environment. Refer to the UCSP Reliability Notice in the UCSP Reliability section of this data sheet for more information.

## Pin Configurations/Functional Diagrams/Truth Table



Maxim Integrated Products 1

**For pricing, delivery, and ordering information, please contact Maxim/Dallas Direct! at 1-888-629-4642, or visit Maxim's website at [www.maxim-ic.com](http://www.maxim-ic.com).**

# 0.5Ω/0.8Ω Low-Voltage, Dual SPDT Analog Switches in UCSP

## ABSOLUTE MAXIMUM RATINGS

(All Voltages Referenced to GND)

V+, IN_	-0.3V to +6V
COM_, NO_, NC_ (Note 1)	-0.3V to (V+ + 0.3V)
Continuous Current NO_, NC_, COM_	±300mA
Peak Current NO_, NC_, COM_ (pulsed at 1ms, 50% duty cycle)	±400mA
Peak Current NO_, NC_, COM_ (pulsed at 1ms, 10% duty cycle)	±500mA

Continuous Power Dissipation (T<sub>A</sub> = +70°C)

12-Bump UCSP (derate 11.4mW/°C above +70°C)	909mW
10-Pin μMAX (derate 5.6mW/°C above +70°C)	444mW
Operating Temperature Ranges	-40°C to +85°C
Storage Temperature Range	-65°C to +150°C
Lead Temperature (soldering, 10s)	+300°C
Bump Temperature (soldering) (Note 2)	
Infared (15s)	+220°C
Vapor Phase (60s)	+215°C

**Note 1:** Signals on NO\_, NC\_, and COM\_ exceeding V+ or GND are clamped by internal diodes. Limit forward-diode current to maximum current rating.

**Note 2:** This device is constructed using a unique set of packaging techniques that impose a limit on the thermal profile the device can be exposed to during board level solder attach and rework. This limit permits only the use of the solder profiles recommended in the industry-standard specification, JEDEC 020A, paragraph 7.6, Table 3 for IR/VPR and Convection reflow. Pre-heating is required. Hand or wave soldering is not allowed.

Stresses beyond those listed under "Absolute Maximum Ratings" may cause permanent damage to the device. These are stress ratings only, and functional operation of the device at these or any other conditions beyond those indicated in the operational sections of the specifications is not implied. Exposure to absolute maximum rating conditions for extended periods may affect device reliability.

## ELECTRICAL CHARACTERISTICS—+3V SUPPLY

(V+ = +2.7V to +3.3V, V<sub>IH</sub> = +1.4V, V<sub>IL</sub> = +0.5V, T<sub>A</sub> = T<sub>MIN</sub> to T<sub>MAX</sub>, unless otherwise noted. Typical values are at +3V and +25°C.) (Notes 3, 9, 10)

PARAMETER	SYMBOL	CONDITIONS	T <sub>A</sub>	MIN	TYP	MAX	UNITS
<b>ANALOG SWITCH</b>							
Analog Signal Range	V <sub>NO_</sub> , V <sub>NC_</sub> , V <sub>COM_</sub>		E	0		V+	V
NC_ On-Resistance (Note 4)	R <sub>ON(NC)</sub>	V+ = 2.7V; I <sub>COM_</sub> = 100mA; V <sub>NC_</sub> = 0 to V+	MAX4684	+25°C	0.3	0.5	Ω
				E		0.5	
			MAX4685	+25°C	0.45	0.8	
				E		0.8	
NO_ On-Resistance (Note 4)	R <sub>ON(NO)</sub>	V+ = 2.7V; I <sub>COM_</sub> = 100mA; V <sub>NO_</sub> = 0 to V+		+25°C	0.45	0.8	Ω
				E		0.8	
On-Resistance Match Between Channels (Notes 4, 5)	ΔR <sub>ON</sub>	V+ = 2.7V; I <sub>COM_</sub> = 100mA; V <sub>NO_</sub> or V <sub>NC_</sub> = 1.5V		+25°C		0.06	Ω
				E		0.06	
NC_ On-Resistance Flatness (Note 6)	R <sub>FLAT (NC)</sub>	V+ = 2.7V; I <sub>COM_</sub> = 100mA; V <sub>NC_</sub> = 0 to V+	MAX4684	E		0.15	Ω
			MAX4685	E		0.35	
NO_ On-Resistance Flatness (Note 6)	R <sub>FLAT (NO)</sub>	V+ = 2.7V; I <sub>COM_</sub> = 100mA; V <sub>NO_</sub> = 0 to V+	E			0.35	Ω
NO_ or NC_ Off-Leakage Current (Note 7)	I <sub>NO_(OFF)</sub> or I <sub>NC_(OFF)</sub>	V+ = 3.3V; V <sub>NO_</sub> or V <sub>NC_</sub> = 3V, 0.3V; V <sub>COM_</sub> = 0.3V, 3V		+25°C	-1	1	nA
				E		-10	
COM_ On-Leakage Current (Note 7)	I <sub>COM_(ON)</sub>	V+ = 3.3V; V <sub>NO_</sub> or V <sub>NC_</sub> = 3V, 0.3V, or floating; V <sub>COM_</sub> = 3V, 0.3V, or floating		+25°C	-2	2	nA
				E		-20	
<b>DYNAMIC CHARACTERISTICS</b>							
Turn-On Time	t <sub>ON</sub>	V+ = 2.7V, V <sub>NO_</sub> or V <sub>NC_</sub> = 1.5V; R <sub>L</sub> = 50Ω; C <sub>L</sub> = 35pF; Figure 2		+25°C	30	50	ns
				E		60	

# 0.5Ω/0.8Ω Low-Voltage, Dual SPDT Analog Switches in UCSP

MAX4684/MAX4685

## ELECTRICAL CHARACTERISTICS—+3V SUPPLY (continued)

(V+ = +2.7V to +3.3V, V<sub>IH</sub> = +1.4V, V<sub>IL</sub> = +0.5V, T<sub>A</sub> = T<sub>MIN</sub> to T<sub>MAX</sub>, unless otherwise noted. Typical values are at +3V and +25°C.) (Notes 3, 9, 10)

PARAMETER	SYMBOL	CONDITIONS	T <sub>A</sub>	MIN	TYP	MAX	UNITS
Turn-Off Time	t <sub>OFF</sub>	V+ = 2.7V, V <sub>NO_</sub> or V <sub>NC_</sub> = 1.5V; R <sub>L</sub> = 50Ω; C <sub>L</sub> = 35pF; Figure 2	+25°C		25	30	ns
			E			40	
Break-Before-Make Delay	t <sub>BBM</sub>	V+ = 2.7V, V <sub>NO_</sub> or V <sub>NC_</sub> = 1.5V; R <sub>L</sub> = 50Ω; C <sub>L</sub> = 35pF; Figure 3	E	2	15		ns
Charge Injection	Q	COM <sub>-</sub> = 0; R <sub>S</sub> = 0; C <sub>L</sub> = 1nF; Figure 4	+25°C		200		pC
Off-Isolation (Note 8)	V <sub>ISO</sub>	C <sub>L</sub> = 5pF; R <sub>L</sub> = 50Ω; f = 100kHz; V <sub>COM_</sub> = 1V <sub>RMS</sub> ; Figure 5	+25°C		-64		dB
Crosstalk	V <sub>CT</sub>	C <sub>L</sub> = 5pF; R <sub>L</sub> = 50Ω; f = 100kHz; V <sub>COM_</sub> = 1V <sub>RMS</sub> ; Figure 5	+25°C		-68		dB
Total Harmonic Distortion	THD	R <sub>L</sub> = 600Ω, I <sub>N_</sub> = 2Vp-p, f = 20Hz to 20kHz	+25°C		0.03		%
NC <sub>-</sub> Off-Capacitance	C <sub>NC_(OFF)</sub>	f = 1MHz; Figure 6	+25°C		84		pF
NO <sub>-</sub> Off-Capacitance	C <sub>NO_(OFF)</sub>	f = 1MHz; Figure 6	+25°C		37		pF
NC <sub>-</sub> On-Capacitance	C <sub>NC_(ON)</sub>	f = 1MHz; Figure 6	+25°C		190		pF
NO <sub>-</sub> On-Capacitance	C <sub>NO_(ON)</sub>	f = 1MHz; Figure 6	+25°C		150		pF
<b>DIGITAL I/O</b>							
Input Logic High	V <sub>IH</sub>		E	1.4			V
Input Logic Low	V <sub>IL</sub>		E			0.5	V
I <sub>N_</sub> Input Leakage Current	I <sub>IN_</sub>	V <sub>IN_</sub> = 0 or V+	E	-1		1	μA
<b>POWER SUPPLY</b>							
Power-Supply Range	V+		E	1.8		5.5	V
Supply Current (Note 4)	I+	V+ = 5.5V; V <sub>IN_</sub> = 0 or V+	+25°C	-50	0.04	50	nA
			E	-200		200	

**Note 3:** The algebraic convention used in this data sheet is where the most negative value is a minimum and the most positive value a maximum.

**Note 4:** Guaranteed by design.

**Note 5:** ΔR<sub>ON</sub> = R<sub>ON(MAX)</sub> - R<sub>ON(MIN)</sub>, between NC1 and NC2 or between NO1 and NO2.

**Note 6:** Flatness is defined as the difference between the maximum and minimum value of on-resistance as measured over the specified analog signal ranges.

**Note 7:** Leakage parameters are 100% tested at T<sub>A</sub> = +85°C, and guaranteed by correlation over rated temperature range.

**Note 8:** Off-isolation = 20log<sub>10</sub> (V<sub>COM</sub> / V<sub>NO</sub>), V<sub>COM</sub> = output, V<sub>NO</sub> = input to off switch.

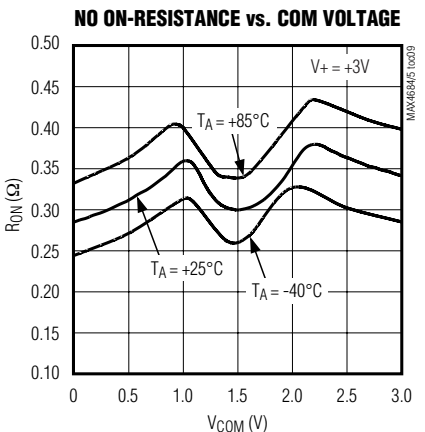
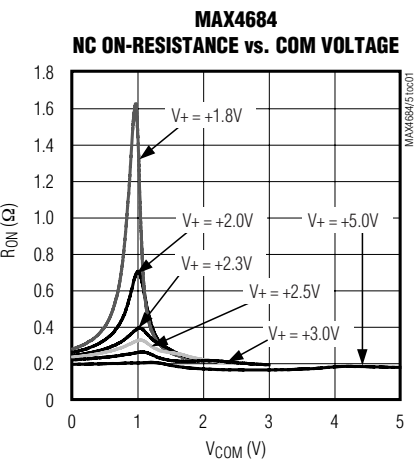
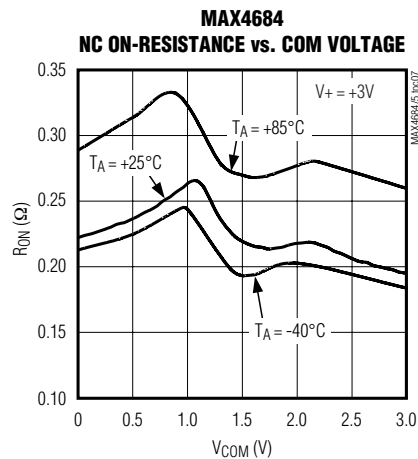
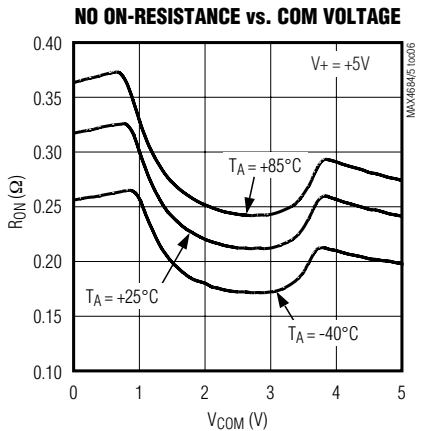
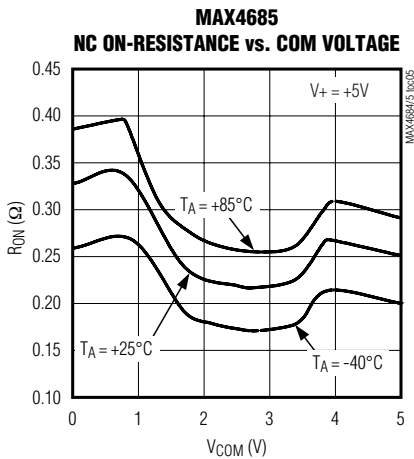
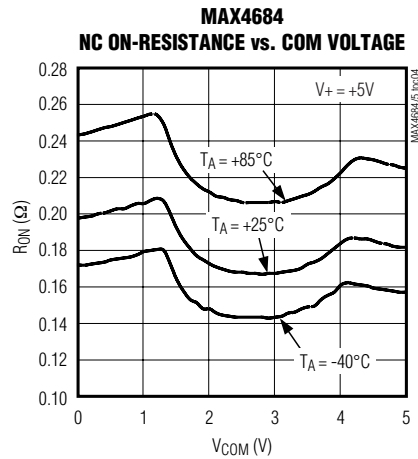
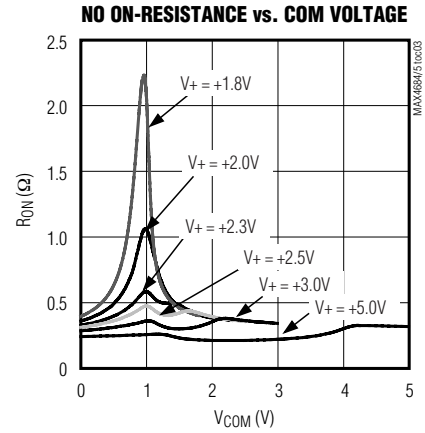
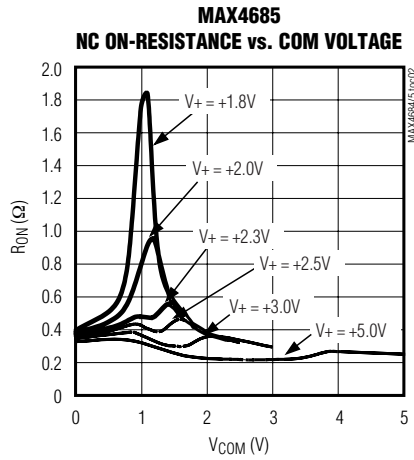
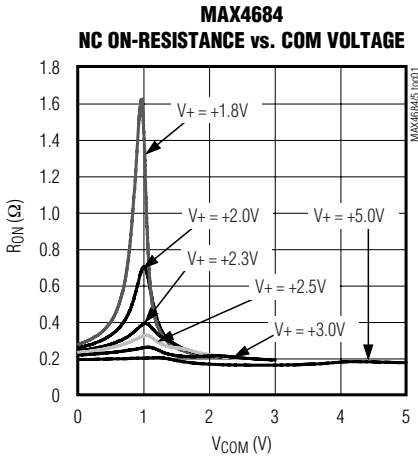
**Note 9:** UCSP and QFN parts are 100% tested at +25°C only and guaranteed by design and correlation at the full hot-rated temperature.

**Note 10:** -40°C specifications are guaranteed by design.

# 0.5Ω/0.8Ω Low-Voltage, Dual SPDT Analog Switches in UCSP

## Typical Operating Characteristics

( $T_A = +25^\circ\text{C}$ , unless otherwise noted.)

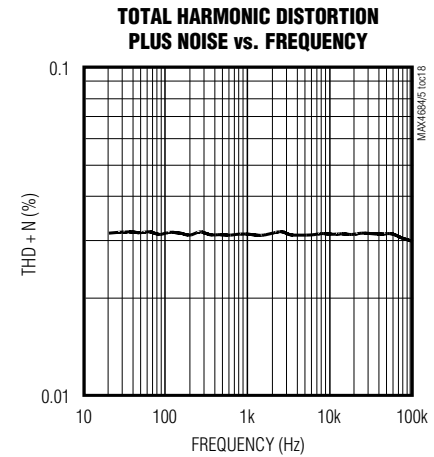
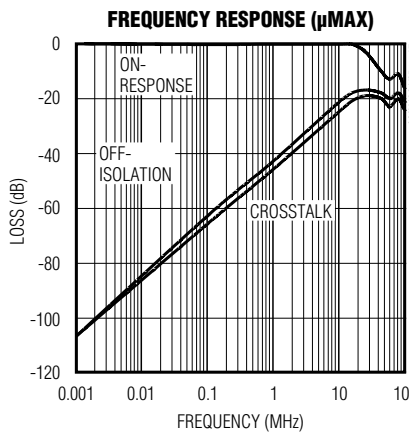
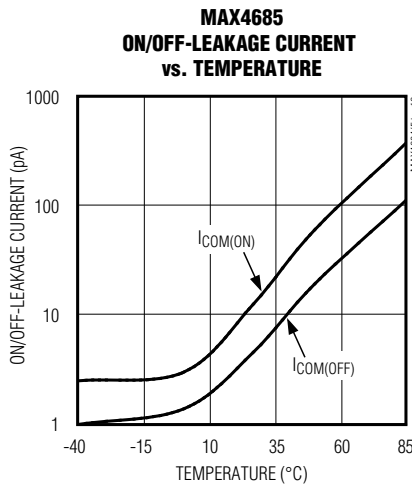
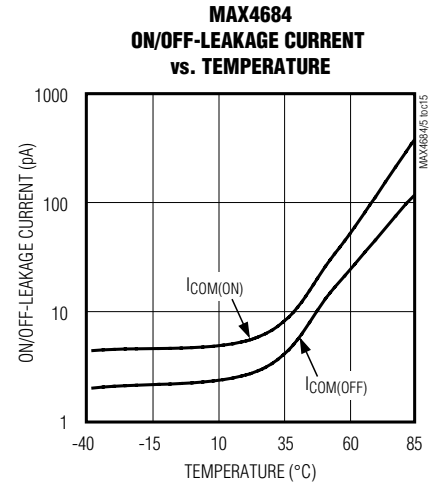
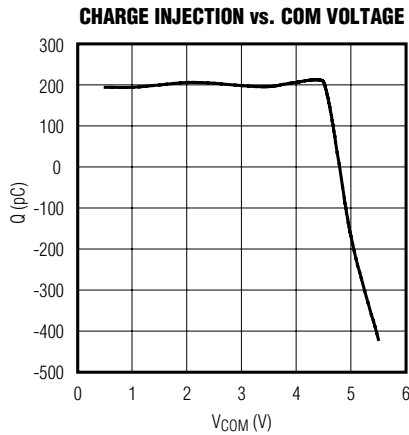
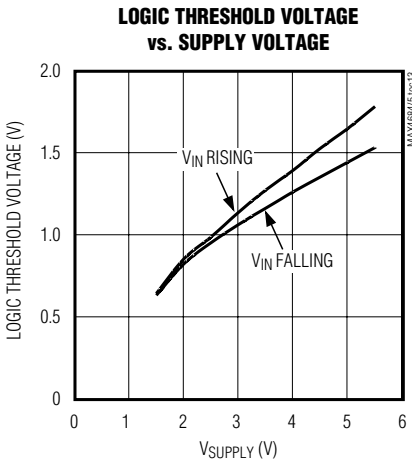
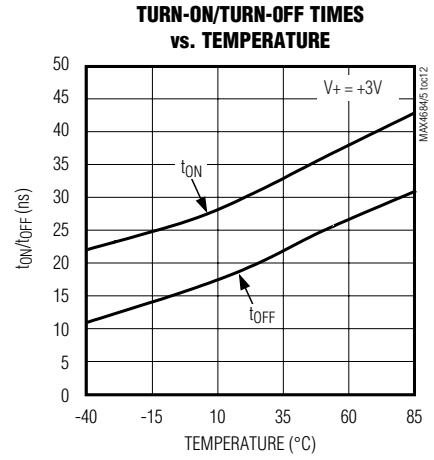
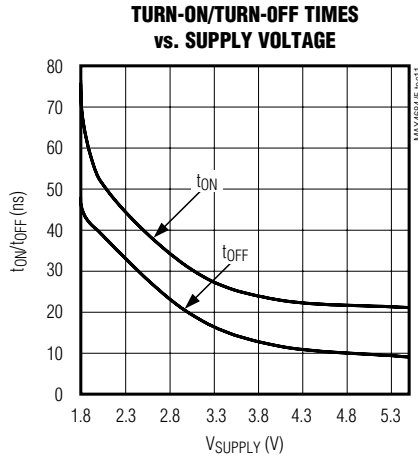
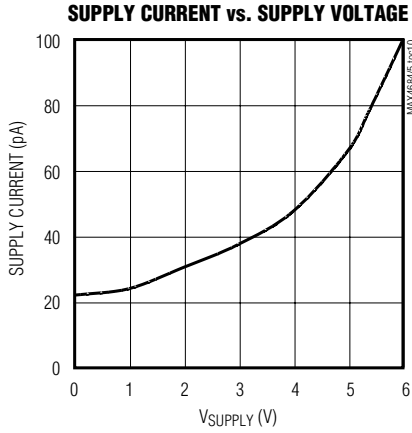


# 0.5Ω/0.8Ω Low-Voltage, Dual SPDT Analog Switches in UCSP

## Typical Operating Characteristics (continued)

( $T_A = +25^\circ\text{C}$ , unless otherwise noted.)

MAX4684/MAX4685



# 0.5Ω/0.8Ω Low-Voltage, Dual SPDT Analog Switches in UCSP

## Pin Description

NAME	PIN		FUNCTION
	UCSP	μMAX	
NC_	A1, C1	5, 7	Analog Switch—Normally Closed Terminal
IN_	A2, C2	4, 8	Digital Control Input
COM_	A3, C3	3, 9	Analog Switch—Common Terminal
NO_	A4, C4	2, 10	Analog Switch—Normally Open Terminal
V+	B4	1	Positive Supply Voltage Input
GND	B1	6	Ground

## Detailed Description

The MAX4684/MAX4685 are low on-resistance, low-voltage, dual SPDT analog switches that operate from a +1.8V to +5.5V supply. The devices are fully specified for nominal 3V applications. The MAX4684/MAX4685 have break-before-make switching and fast switching speeds ( $t_{ON} = 50\text{ns}$  max,  $t_{OFF} = 40\text{ns}$  max).

The MAX4684 offers asymmetrical normally closed (NC) and normally open (NO)  $R_{ON}$  for applications that require asymmetrical loads (examples include speaker headsets and internal speakers). The part features a 0.5Ω max  $R_{ON}$  for its NC switch and a 0.8Ω max  $R_{ON}$  for its NO switch at the 2.7V supply. The MAX4685 features a 0.8Ω max on-resistance for both NO and NC switches at the +2.7V supply.

## Applications Information

### Digital Control Inputs

The MAX4684/MAX4685 logic inputs accept up to +5.5V regardless of supply voltage. For example, with a +3.3V supply, IN\_ may be driven low to GND and high to 5.5V. Driving IN\_ rail-to-rail minimizes power consumption. Logic levels for a +1.8V supply are 0.5V (low) and 1.4V (high).

### Analog Signal Levels

Analog signals that range over the entire supply voltage (V+ to GND) are passed with very little change in on-resistance (see *Typical Operating Characteristics*). The switches are bidirectional, so the NO\_, NC\_, and COM\_ pins can be either inputs or outputs.

## Power-Supply Sequencing and Overvoltage Protection

**Caution: Do not exceed the absolute maximum ratings because stresses beyond the listed ratings may cause permanent damage to devices.**

Proper power-supply sequencing is recommended for all CMOS devices. Always apply V+ before applying analog signals, especially if the analog signal is not current limited. If this sequencing is not possible, and if the analog inputs are not current limited to <20mA, add a small signal diode (D1) as shown in Figure 1. Adding a protection diode reduces the analog range to a diode drop (about 0.7V) below V+ (for D1).  $R_{ON}$  increases slightly at low supply voltages. Maximum supply voltage (V+) must not exceed +6V. Protection diode D1 also protects against some overvoltage situations. No damage will result on Figure 1's circuit if the supply voltage is below the absolute maximum rating applied to an analog signal pin.

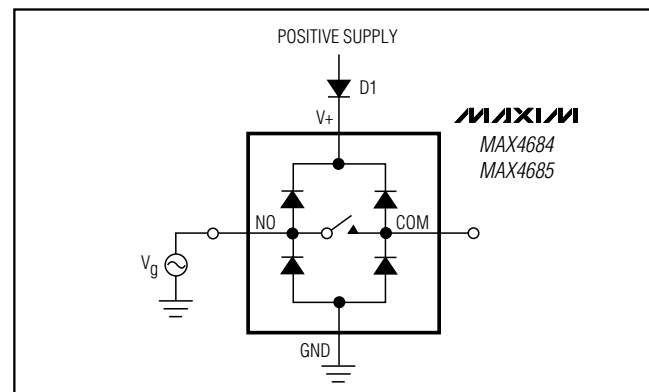


Figure 1. Overvoltage Protection Using Two External Blocking Diodes

# 0.5Ω/0.8Ω Low-Voltage, Dual SPDT Analog Switches in UCSP

MAX4684/MAX4685

## UCSP Package Consideration

For general UCSP package information and PC layout considerations, please refer to the Maxim Application Note (Wafer-Level Ultra-Chip-Board-Scale Package).

## UCSP Reliability

The chip-scale package (UCSP) represents a unique packaging form factor that may not perform equally to a packaged product through traditional mechanical reliability tests. UCSP reliability is integrally linked to the user's assembly methods, circuit board material, and usage environment. The user should closely review these areas when considering use of a UCSP package. Performance through Operating Life Test and Moisture Resistance remains uncompromised as it is primarily determined by the wafer-fabrication process.

Mechanical stress performance is a greater consideration for a UCSP package. UCSPs are attached through direct solder contact to the user's PC board, foregoing the inherent stress relief of a packaged product lead frame. Solder joint contact integrity must be considered. Information on Maxim's qualification plan, test data, and recommendations are detailed in the UCSP application note, which can be found on Maxim's website at [www.maxim-ic.com](http://www.maxim-ic.com).

## Chip Information

TRANSISTOR COUNT: 198

## Test Circuits/Timing Diagrams

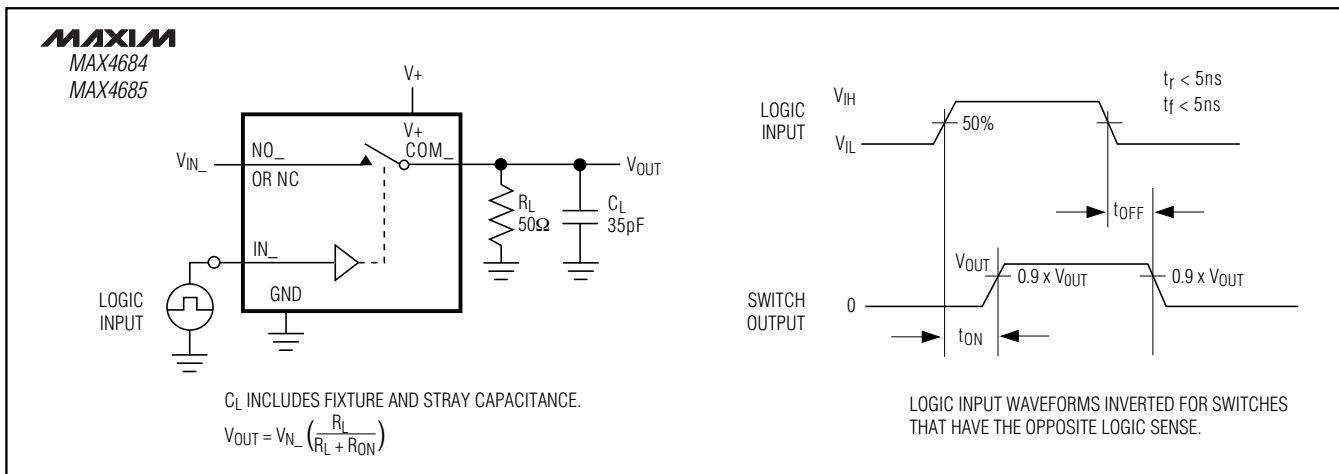


Figure 2. Switching Time

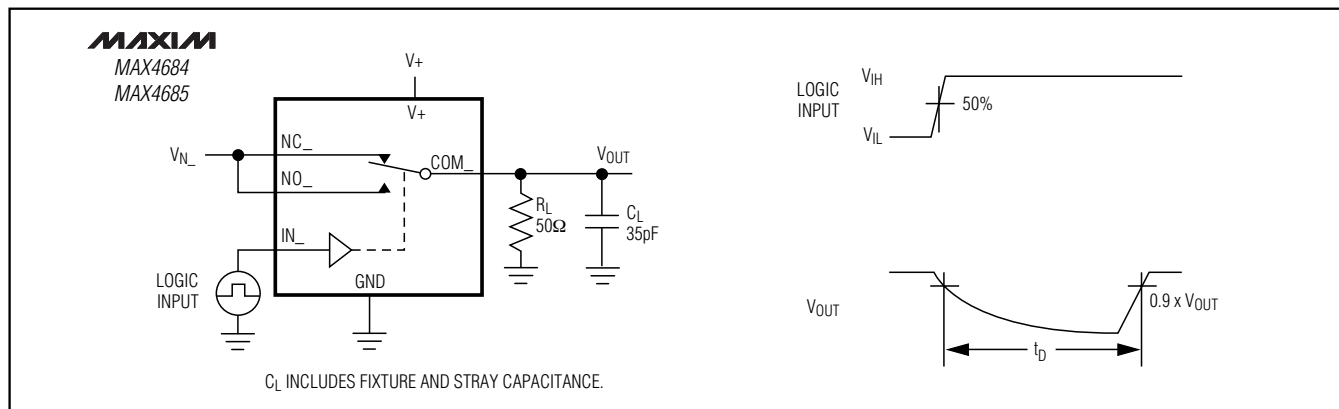


Figure 3. Break-Before-Make Interval

# 0.5Ω/0.8Ω Low-Voltage, Dual SPDT Analog Switches in UCSP

## Test Circuits/Timing Diagrams (continued)

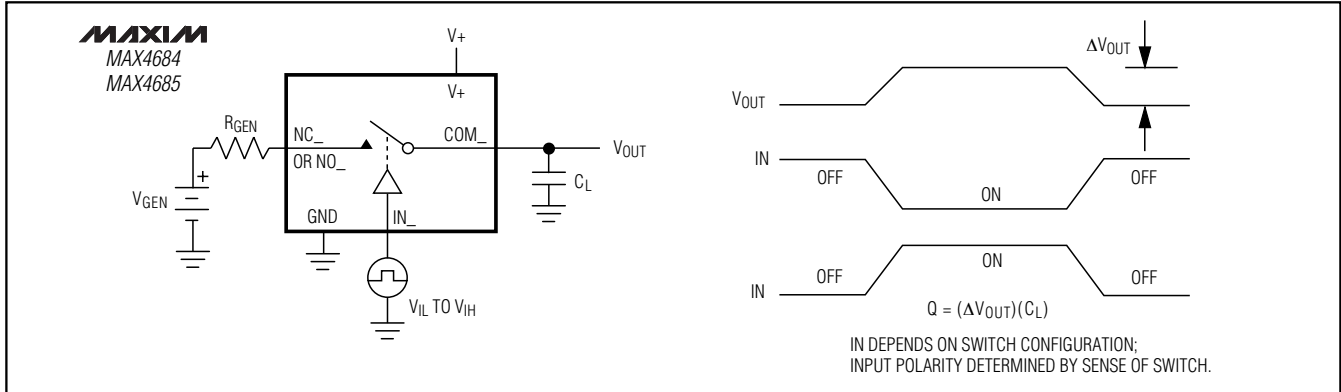


Figure 4. Charge Injection

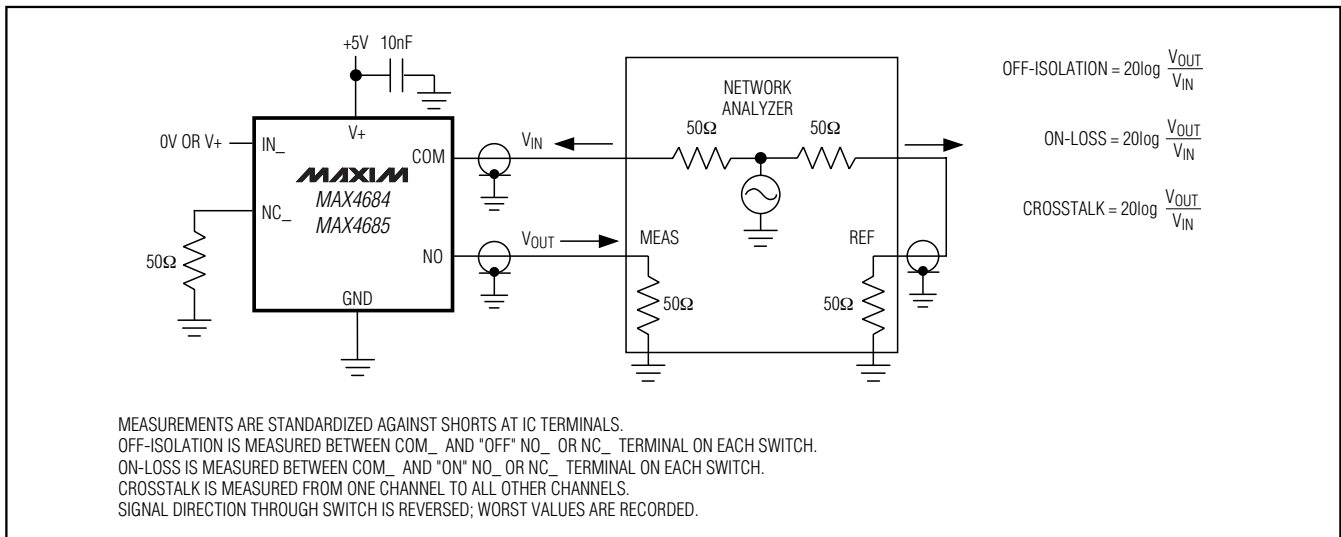


Figure 5. On-Loss, Off-Isolation, and Crosstalk

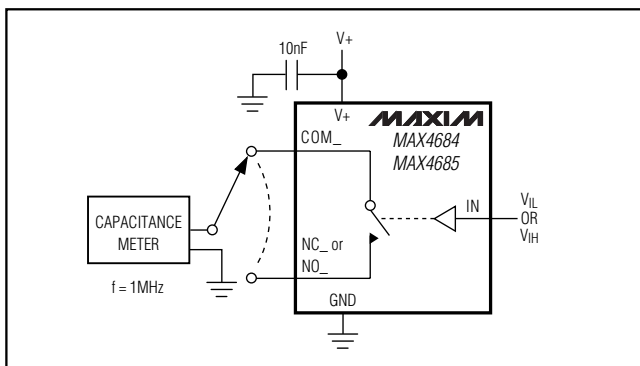
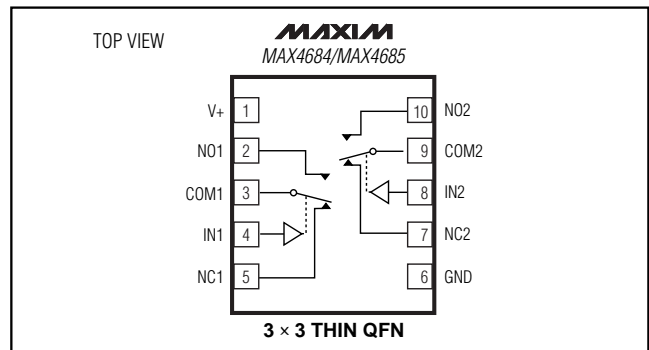


Figure 6. Channel Off/On-Capacitance

## Pin Configurations (continued)



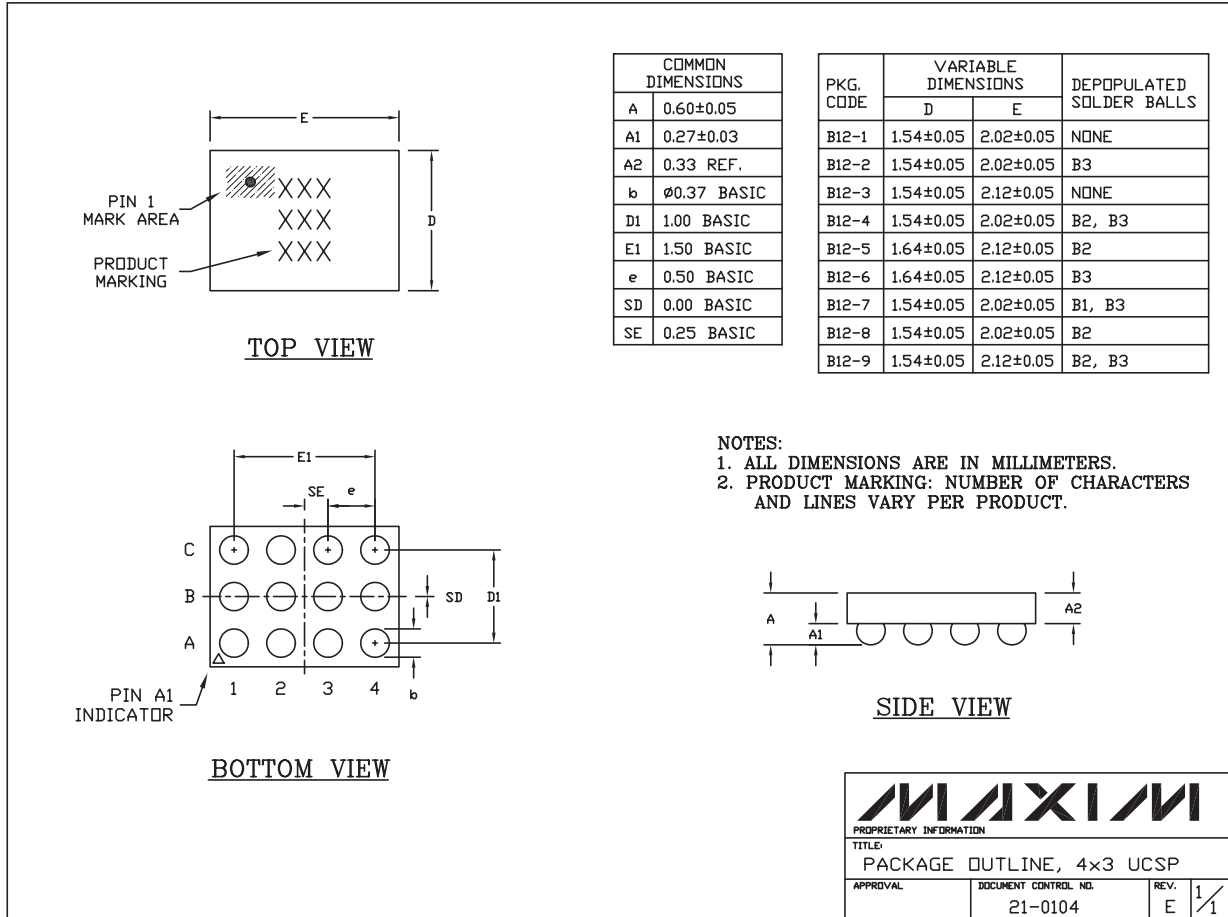


# 0.5Ω/0.8Ω Low-Voltage, Dual SPDT Analog Switches in UCSP

## Package Information

(The package drawing(s) in this data sheet may not reflect the most current specifications. For the latest package outline information, go to [www.maxim-ic.com/packages](http://www.maxim-ic.com/packages).)

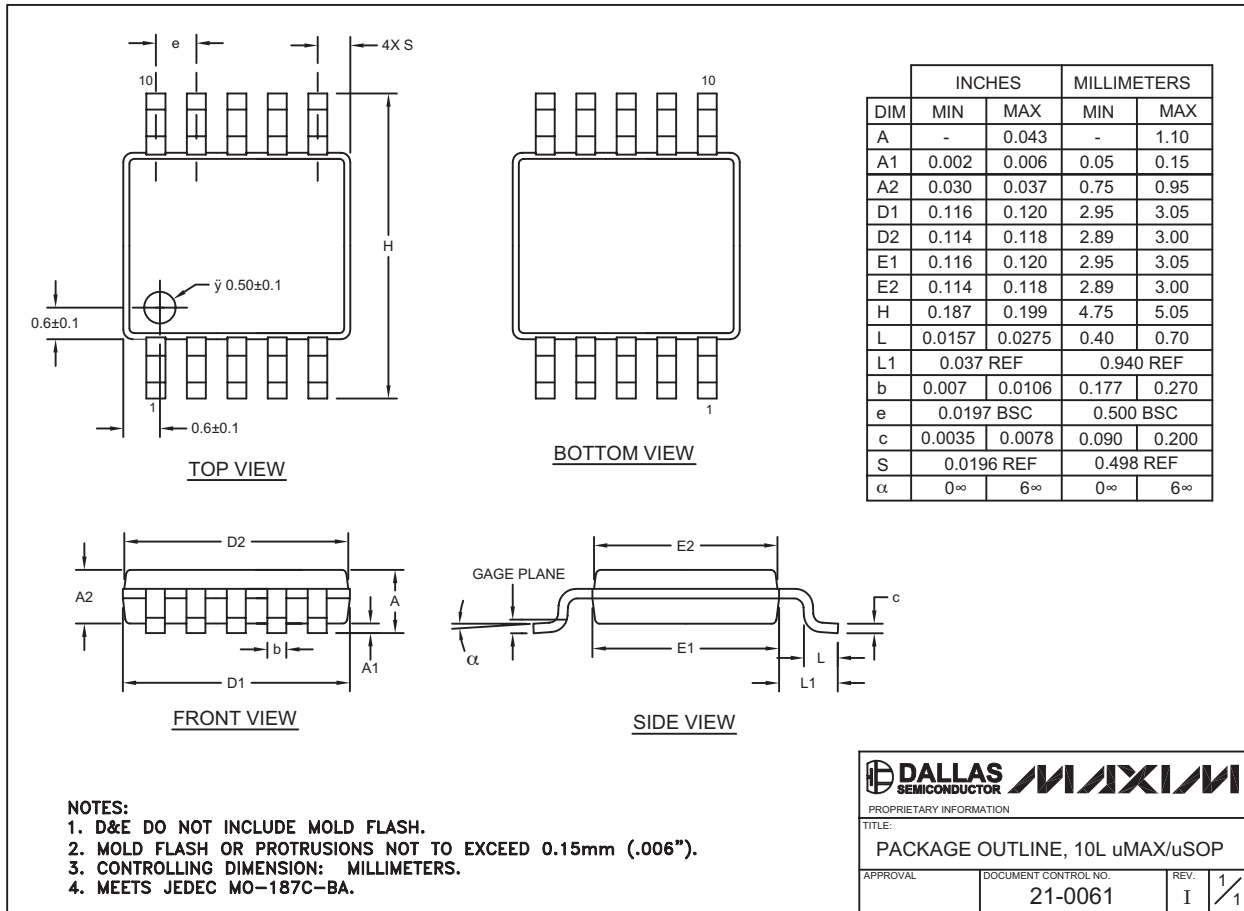
MAX4684/MAX4685



# 0.5Ω/0.8Ω Low-Voltage, Dual SPDT Analog Switches in UCSP

## Package Information (continued)

(The package drawing(s) in this data sheet may not reflect the most current specifications. For the latest package outline information, go to [www.maxim-ic.com/packages](http://www.maxim-ic.com/packages).)



10LUMAX.EPS

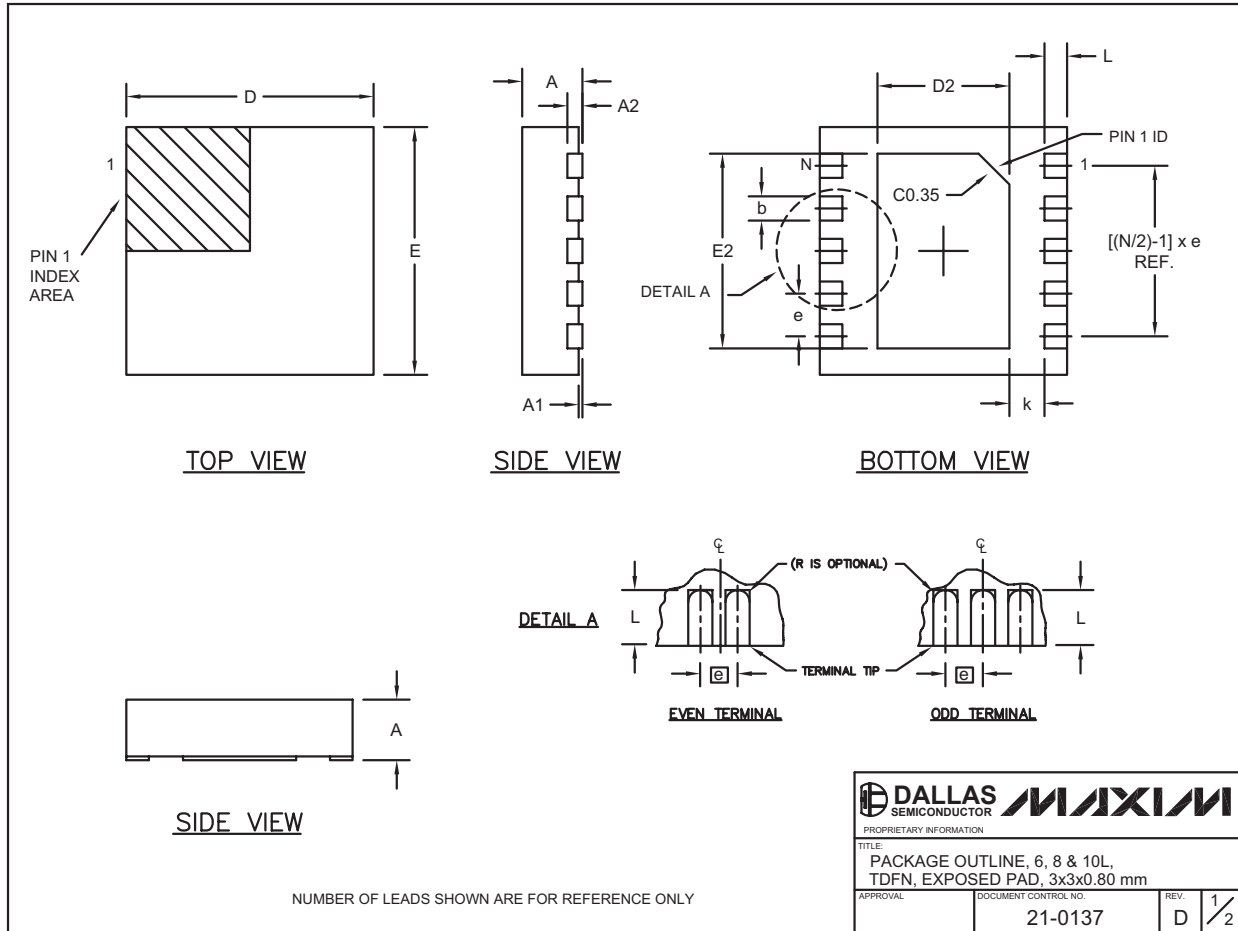
**DALLAS SEMICONDUCTOR** **MAXIM**  
 PROPRIETARY INFORMATION  
 TITLE: PACKAGE OUTLINE, 10L uMAX/uSOP  
 APPROVAL: \_\_\_\_\_ DOCUMENT CONTROL NO. 21-0061 REV. I 1/1

# 0.5Ω/0.8Ω Low-Voltage, Dual SPDT Analog Switches in UCSP

## Package Information (continued)

(The package drawing(s) in this data sheet may not reflect the most current specifications. For the latest package outline information, go to [www.maxim-ic.com/packages](http://www.maxim-ic.com/packages).)

MAX4684/MAX4685



6, 8, & 10L, QFN THIN:EPS

# 0.5Ω/0.8Ω Low-Voltage, Dual SPDT Analog Switches in UCSP

## Package Information (continued)


(The package drawing(s) in this data sheet may not reflect the most current specifications. For the latest package outline information, go to [www.maxim-ic.com/packages](http://www.maxim-ic.com/packages).)

COMMON DIMENSIONS		
SYMBOL	MIN.	MAX.
A	0.70	0.80
D	2.90	3.10
E	2.90	3.10
A1	0.00	0.05
L	0.20	0.40
k	0.25 MIN.	
A2	0.20 REF.	

PACKAGE VARIATIONS							
PKG. CODE	N	D2	E2	e	JEDEC SPEC	b	[(N/2)-1] x e
T633-1	6	1.50±0.10	2.30±0.10	0.95 BSC	MO229 / WEEA	0.40±0.05	1.90 REF
T833-1	8	1.50±0.10	2.30±0.10	0.65 BSC	MO229 / WEEC	0.30±0.05	1.95 REF
T1033-1	10	1.50±0.10	2.30±0.10	0.50 BSC	MO229 / WEED-3	0.25±0.05	2.00 REF

**NOTES:**

1. ALL DIMENSIONS ARE IN mm. ANGLES IN DEGREES.
2. COPLANARITY SHALL NOT EXCEED 0.08 mm.
3. WARPAGE SHALL NOT EXCEED 0.10 mm.
4. PACKAGE LENGTH/PACKAGE WIDTH ARE CONSIDERED AS SPECIAL CHARACTERISTIC(S).
5. DRAWING CONFORMS TO JEDEC MO229, EXCEPT DIMENSIONS "D2" AND "E2".
6. "N" IS THE TOTAL NUMBER OF LEADS.

	
<small>PROPRIETARY INFORMATION</small>	
<small>TITLE:</small> PACKAGE OUTLINE, 6, 8 & 10L, TDFN, EXPOSED PAD, 3x3x0.80 mm	
<small>APPROVAL</small>	<small>DOCUMENT CONTROL NO.</small> 21-0137
<small>REV.</small> D	<small>2</small> / <small>2</small>

Maxim cannot assume responsibility for use of any circuitry other than circuitry entirely embodied in a Maxim product. No circuit patent licenses are implied. Maxim reserves the right to change the circuitry and specifications without notice at any time.

12 \_\_\_\_\_ **Maxim Integrated Products, 120 San Gabriel Drive, Sunnyvale, CA 94086 408-737-7600**