

40 PIN SMD ETHERNET 10/100 BASE –TX HIGH SPEED LAN MAGNETICS

P/N: 40ST1041AX DATA SHEET

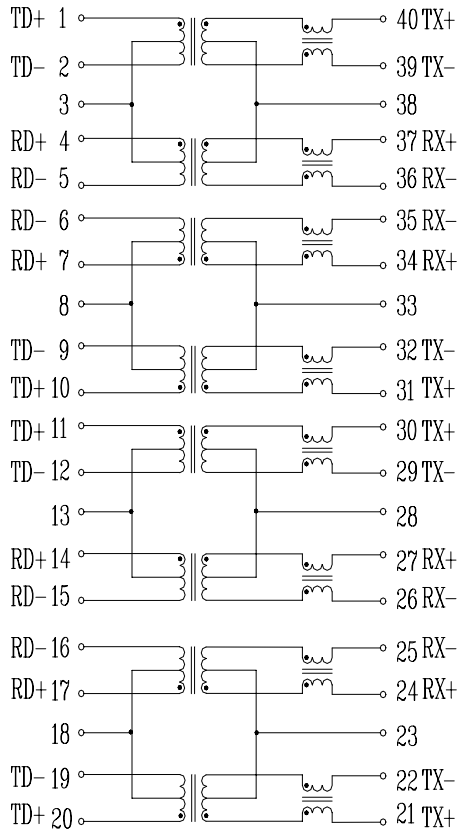
Feature



- IEEE 802.3 Ethernet compatible .
- 100 Base-TX Surface mountable .
- Design for multiport repeater and Ethernet switching HUB application .
- Customer designs available for specific application.
- Operating temperature range : 0°C to +70°C .
- Storage temperature range: -25°C to +125°C .

Electrical Specifications @ 25°C									
Part Number	Turns Ratio (±5%)		OCL(μ H Min) @100KHz/0.1Vrms 8mA DC/Bias	L.L (μ H Max)	Cw/w (pF Max)	HI-POT (Vrms)	Rise Time (nS Typ)		
	TX	RX							
40ST1041AX	1CT:1CT	1CT:1CT	350	0.4	56	1500	3.0		
Continue									
Part Number	Insertion Loss (dB Max)	Return Loss (dB Min)			Cross talk (dB Min)		DCMR (dB Min)		
		0.3–100MHz	0.3-30MHz	30-60MHz	60-80MHz	0.3-60MHz	60-100MHz	60MHz	100MHz
40ST1041AX	-1.15	-16	-12	-10	-45	-35	-37	-28	-25

Schematic



Mechanical

