

DATA SHEET

BLW77 HF/VHF power transistor

Product specification

August 1986

HF/VHF power transistor

BLW77

DESCRIPTION

N-P-N silicon planar epitaxial transistor intended for use in class-AB or class-B operated high power transmitters in the h.f. and v.h.f. bands. The transistor presents excellent performance as a linear amplifier in the h.f. band. It is resistance stabilized and is guaranteed to withstand severe load

mismatch conditions. Transistors are delivered in matched h_{FE} groups.

The transistor has a 1/2" flange envelope with a ceramic cap. All leads are isolated from the flange.

QUICK REFERENCE DATA

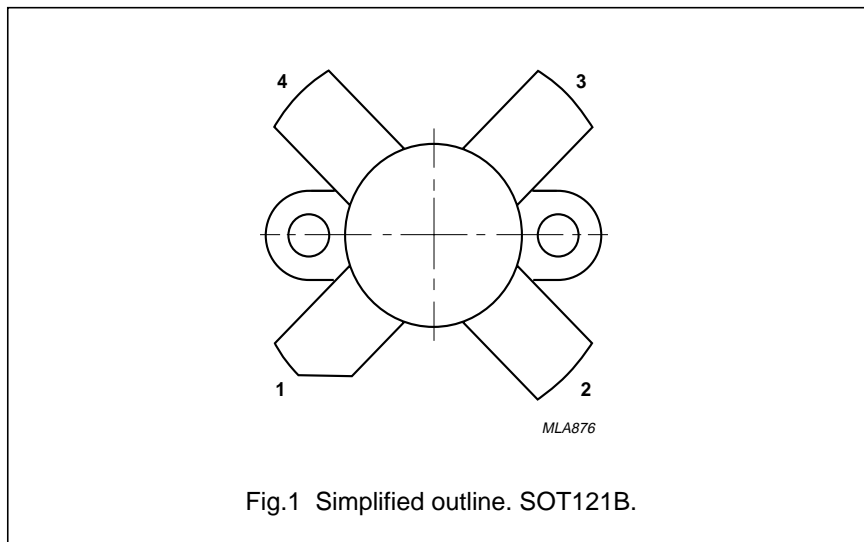
R.F. performance up to $T_h = 25\text{ }^\circ\text{C}$

| MODE OF OPERATION | V_{CE} V | $I_{C(zs)}$ A | f MHz | P_L W | G_p dB | η % | d_3 dB |
|-------------------|---------------|------------------|----------|----------------------|-------------|-----------------------|-------------|
| s.s.b. (class-AB) | 28 | 0,1 | 1,6 – 28 | 15 – 130 (P.E.P.) | > 12 | > 37,5 ⁽¹⁾ | < -30 |
| c.w. (class-B) | 28 | – | 87,5 | 130 | typ. 7,5 | typ. 75 | – |

Note

- At 130 W P.E.P.

PIN CONFIGURATION



PINNING - SOT121B.

| PIN | DESCRIPTION |
|-----|-------------|
| 1 | collector |
| 2 | emitter |
| 3 | base |
| 4 | emitter |

PRODUCT SAFETY This device incorporates beryllium oxide, the dust of which is toxic. The device is entirely safe provided that the BeO disc is not damaged.

HF/VHF power transistor

BLW77

RATINGS

Limiting values in accordance with the Absolute Maximum System (IEC 134)

Collector-emitter voltage ($V_{BE} = 0$)

peak value

V_{CESM} max. 70 V

Collector-emitter voltage (open base)

V_{CEO} max. 35 V

Emitter-base voltage (open collector)

V_{EBO} max. 4 V

Collector current (average)

$I_{C(AV)}$ max. 12 A

Collector current (peak value); $f > 1$ MHz

I_{CM} max. 30 A

R.F. power dissipation ($f > 1$ MHz; $T_{mb} = 25$ °C)

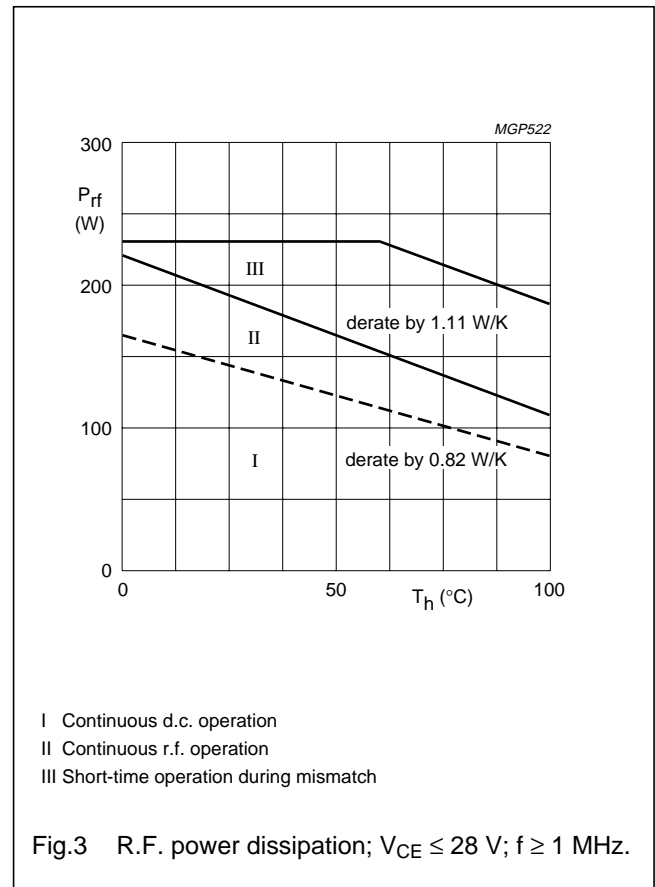
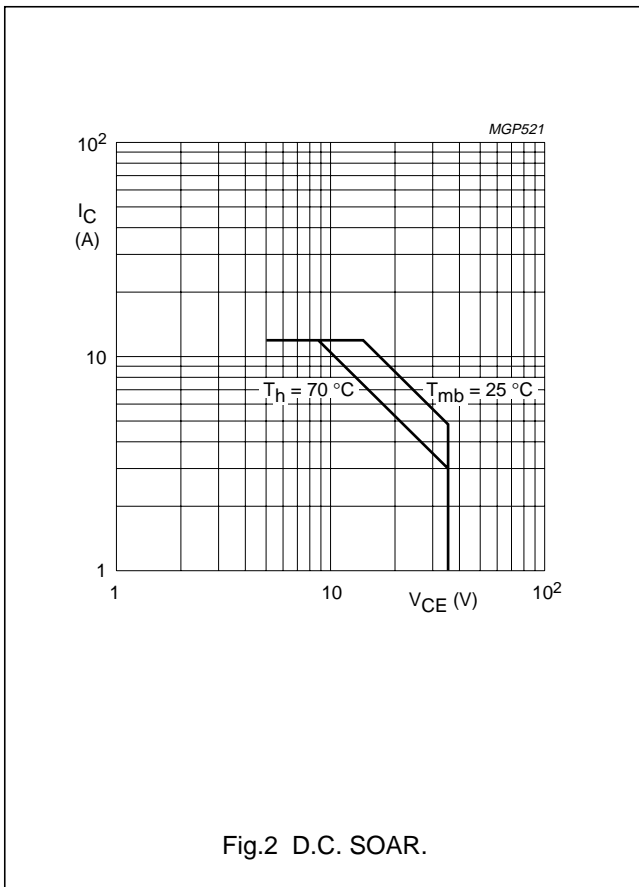
P_{rf} max. 245 W

Storage temperature

T_{stg} -65 to + 150 °C

Operating junction temperature

T_j max. 200 °C



THERMAL RESISTANCE

(dissipation = 100 W; $T_{mb} = 90$ °C, i.e. $T_h = 70$ °C)

From junction to mounting base (d.c. dissipation)

$R_{th\ j-mb(dc)}$ = 1,03 K/W

From junction to mounting base (r.f. dissipation)

$R_{th\ j-mb(rf)}$ = 0,71 K/W

From mounting base to heatsink

$R_{th\ mb-h}$ = 0,2 K/W

HF/VHF power transistor

BLW77

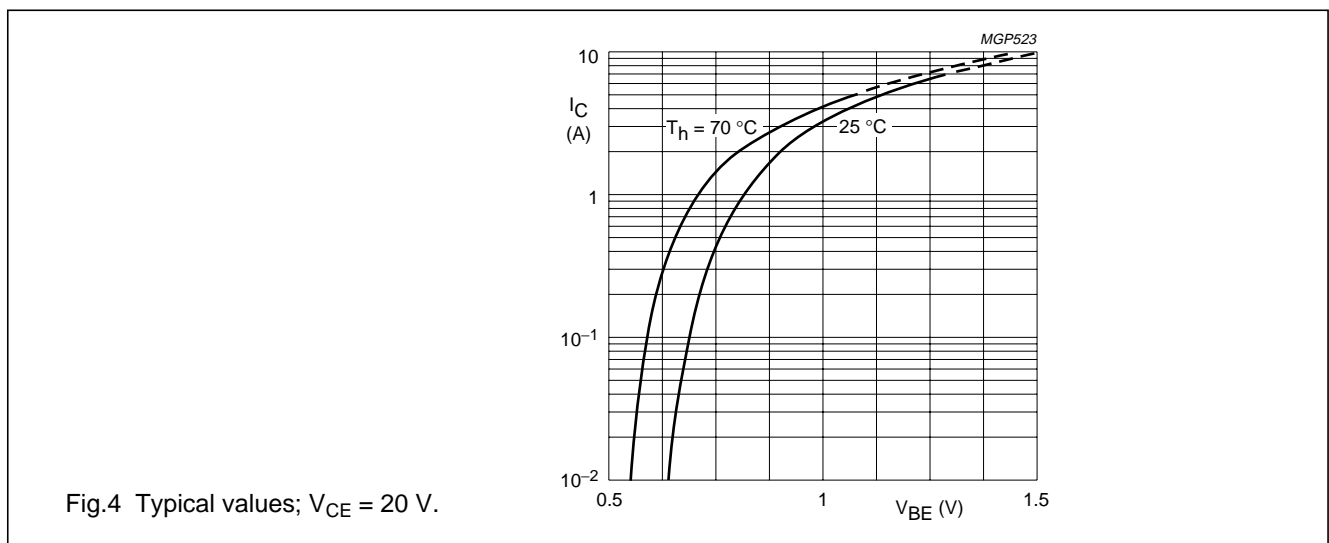
CHARACTERISTICS

$T_j = 25\text{ }^\circ\text{C}$ unless otherwise specified

| | | | |
|--|-------------------|------|----------|
| Collector-emitter breakdown voltage $V_{BE} = 0; I_C = 50\text{ mA}$ | $V_{(BR)CES}$ | > | 70 V |
| Collector-emitter breakdown voltage open base; $I_C = 100\text{ mA}$ | $V_{(BR)CEO}$ | > | 35 V |
| Emitter-base breakdown voltage open collector; $I_E = 20\text{ mA}$ | $V_{(BR)EBO}$ | > | 4 V |
| Collector cut-off current $V_{BE} = 0; V_{CE} = 35\text{ V}$ | I_{CES} | < | 20 mA |
| D.C. current gain ⁽¹⁾ $I_C = 7\text{ A}; V_{CE} = 5\text{ V}$ | h_{FE} | | 15 to 80 |
| D.C. current gain ratio of matched devices ⁽¹⁾ $I_C = 7\text{ A}; V_{CE} = 5\text{ V}$ | h_{FE1}/h_{FE2} | < | 1,2 |
| Collector-emitter saturation voltage ⁽¹⁾ $I_C = 20\text{ A}; I_B = 4\text{ A}$ | V_{CEsat} | typ. | 2 V |
| Transition frequency at $f = 100\text{ MHz}$ ⁽²⁾ $-I_E = 7\text{ A}; V_{CB} = 28\text{ V}$ | f_T | typ. | 320 MHz |
| | f_T | typ. | 300 MHz |
| Collector capacitance at $f = 1\text{ MHz}$ $I_E = I_e = 0; V_{CB} = 28\text{ V}$ | C_c | typ. | 255 pF |
| Feedback capacitance at $f = 1\text{ MHz}$ $I_C = 100\text{ mA}; V_{CE} = 28\text{ V}$ | C_{re} | typ. | 175 pF |
| Collector-flange capacitance | C_{cf} | typ. | 3 pF |

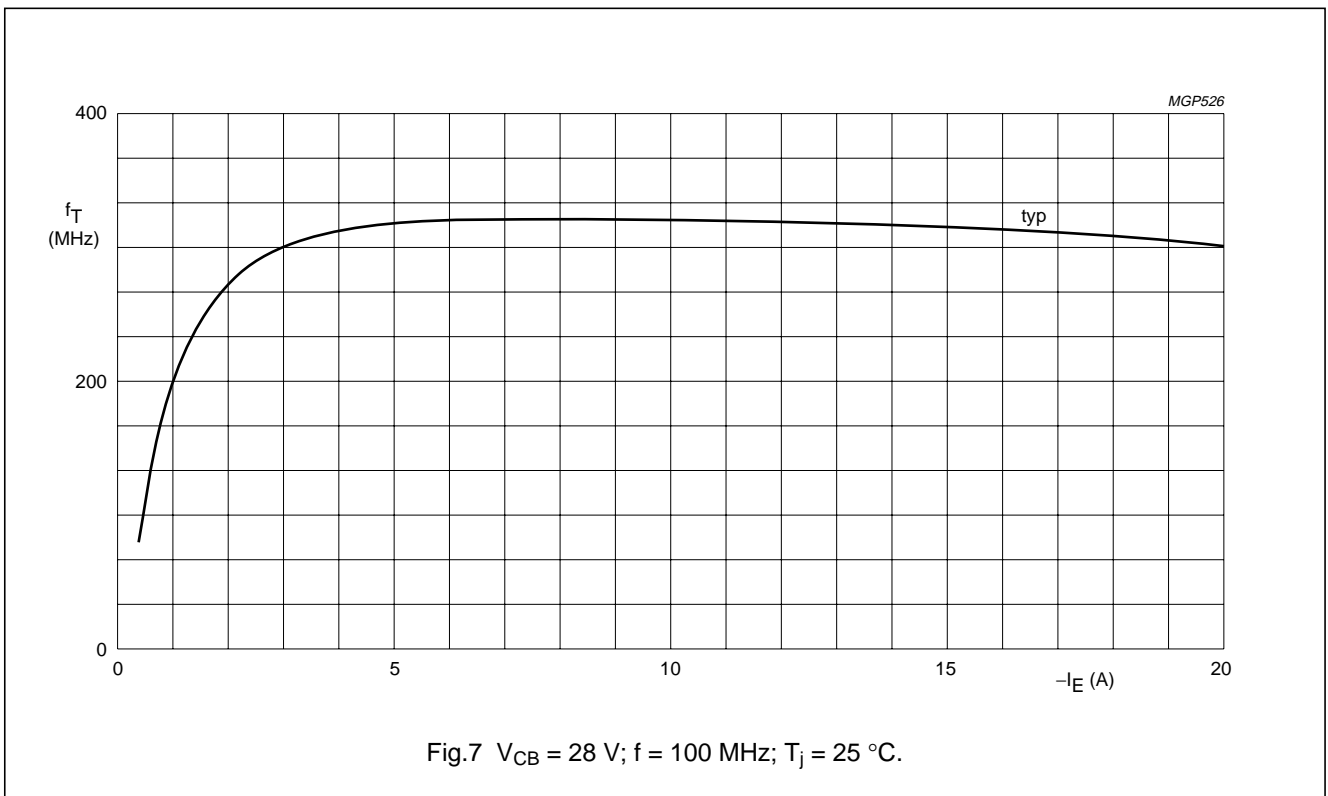
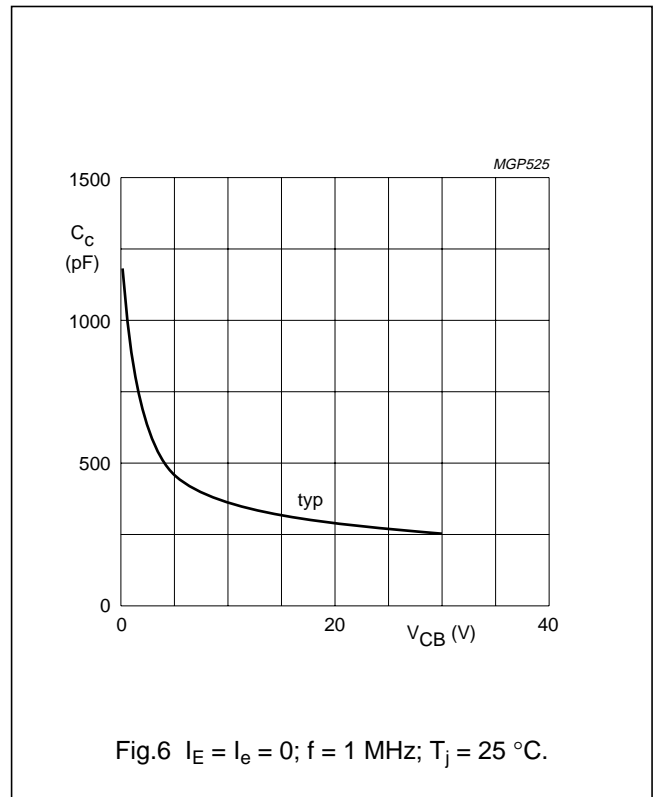
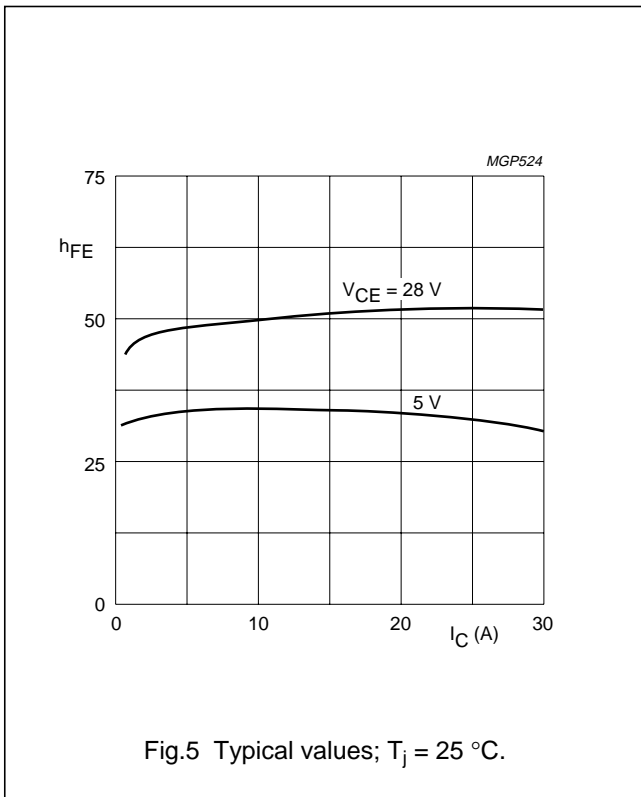
Notes

1. Measured under pulse conditions: $t_p \leq 300\text{ }\mu\text{s}; \delta \leq 0,02$.
2. Measured under pulse conditions: $t_p \leq 50\text{ }\mu\text{s}; \delta \leq 0,01$.



HF/VHF power transistor

BLW77



HF/VHF power transistor

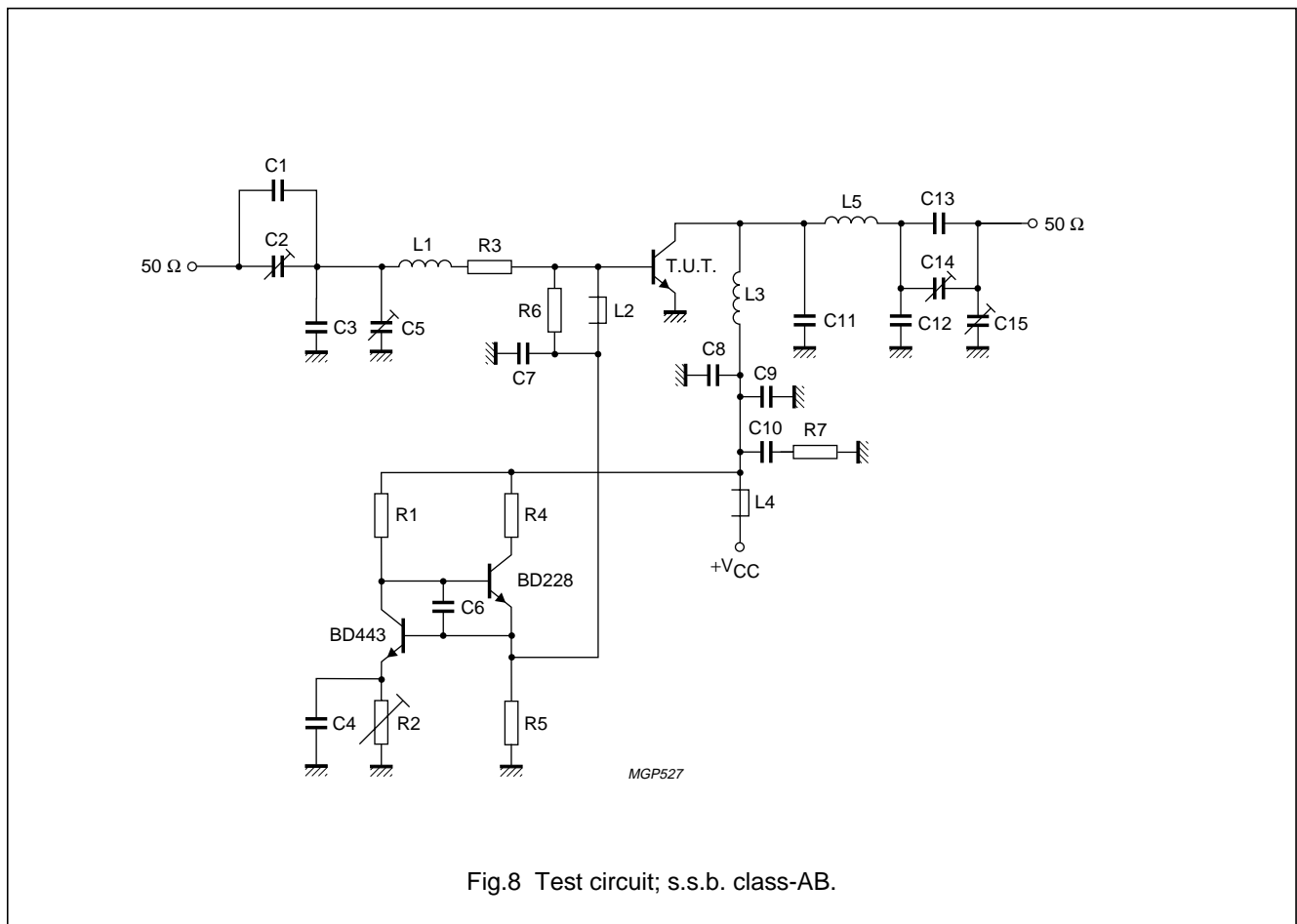
BLW77

APPLICATION INFORMATION

R.F. performance in s.s.b. class-AB operation (linear power amplifier)

$V_{CE} = 28 \text{ V}$; $T_h = 25 \text{ }^\circ\text{C}$; $f_1 = 28,000 \text{ MHz}$; $f_2 = 28,001 \text{ MHz}$

| OUTPUT POWER W | G_p dB | η_{dt} (%) at 130 W P.E.P. | I_c (A) < 6,2 | d_3 dB | d_5 dB | $I_{c(zs)}$ A |
|--------------------|-------------|------------------------------------|--------------------|-------------|-------------|------------------|
| 15 to 130 (P.E.P.) | > 12 | > 37,5 | < 6,2 | < -30 | < -30 | 0,1 |



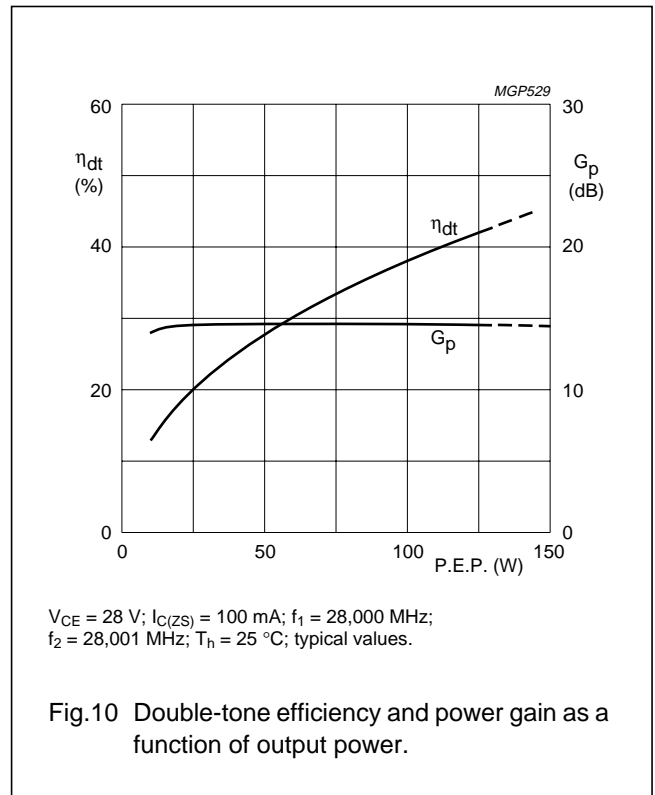
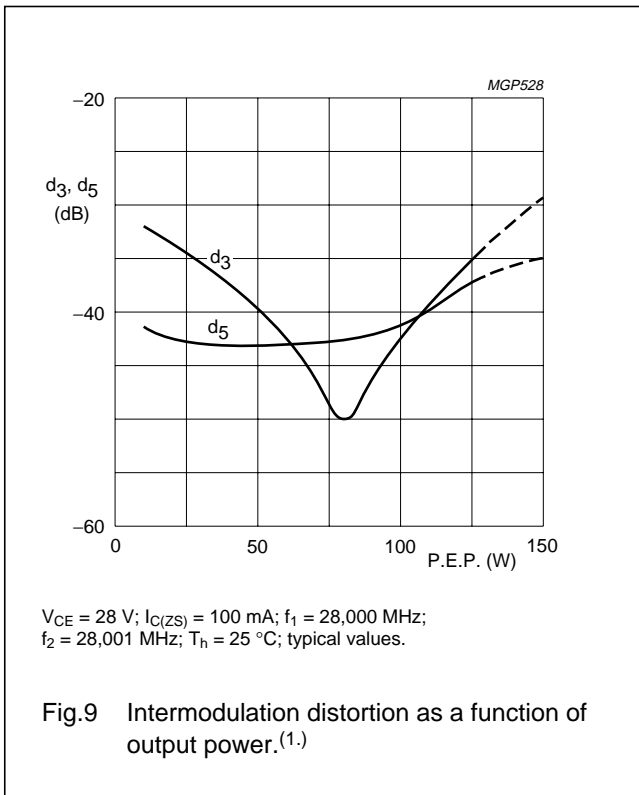
HF/VHF power transistor**BLW77**

List of components:

- C1 = 27 pF ceramic capacitor (500 V)
- C2 = 100 pF air dielectric trimmer (single insulated rotor type)
- C3 = 180 pF polystyrene capacitor
- C4 = C6 = C9 = 100 nF polyester capacitor
- C5 = 100 pF air dielectric trimmer (single non-insulated rotor type)
- C7 = C8 = 3,9 nF ceramic capacitor
- C10 = 2,2 μ F moulded metallized polyester capacitor
- C11 = 2 \times 180 pF polystyrene capacitors in parallel
- C12 = 3 \times 56 pF and 33 pF ceramic capacitors in parallel (500 V)
- C13 = 4 \times 56 pF and 68 pF ceramic capacitors in parallel (500 V)
- C14 = 360 pF air dielectric trimmer (single insulated rotor type)
- C15 = 360 pF air dielectric trimmer (single non-insulated rotor type)
- L1 = 88 nH; 3 turns Cu wire (1,0 mm); int. dia. 9,0 mm; length 6,1 mm; leads 2 \times 7 mm
- L2 = L4 = Ferroxcube wide-band h.f. choke, grade 3B (cat. no. 4312 020 36640)
- L3 = L5 = 80 nH; 2,5 turns closely wound enamelled Cu wire (1,6 mm); int. dia. 10,0 mm; leads 2 \times 7 mm
- R1 = 470 Ω wirewound resistor (5,5 W)
- R2 = 4,7 Ω wirewound potentiometer (3 W)
- R3 = 0,55 Ω ; parallel connection of 4 \times 2,2 Ω carbon resistors (\pm 5%; 0,5 W each)
- R4 = 45 Ω ; parallel connection of 4 \times 180 Ω wirewound resistors (5,5 W each)
- R5 = 56 Ω (\pm 5%) carbon resistor (0,5 W)
- R6 = 27 Ω (\pm 5%) carbon resistor (0,5 W)
- R7 = 4,7 Ω (\pm 5%) carbon resistor (0,5 W)

HF/VHF power transistor

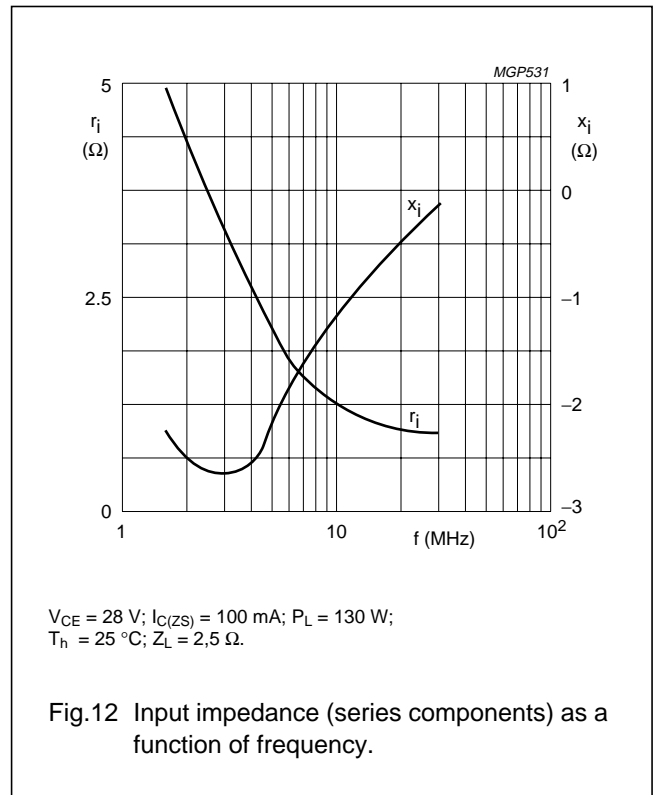
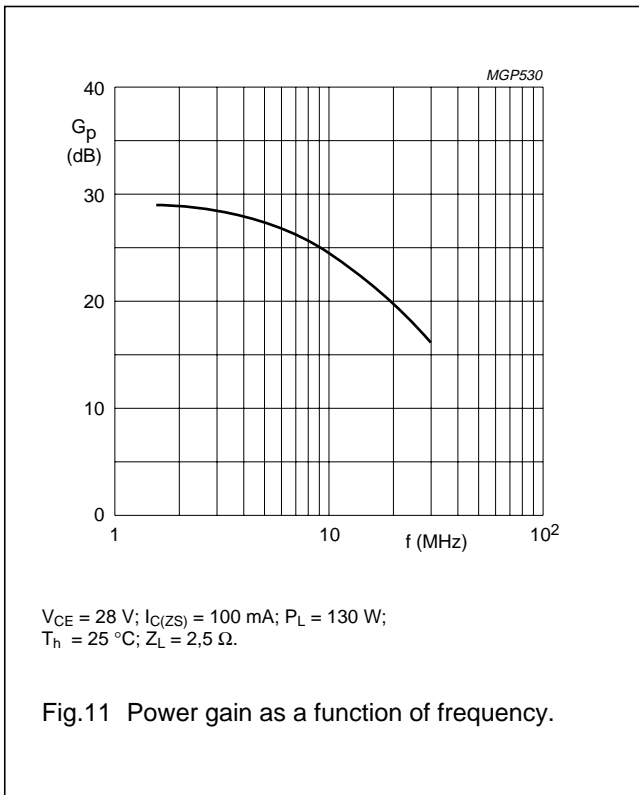
BLW77



1. Stated intermodulation distortion figures are referred to the according level of either of the equal amplified tones. Relative to the according peak envelope powers these figures should be increased by 6 dB.

HF/VHF power transistor

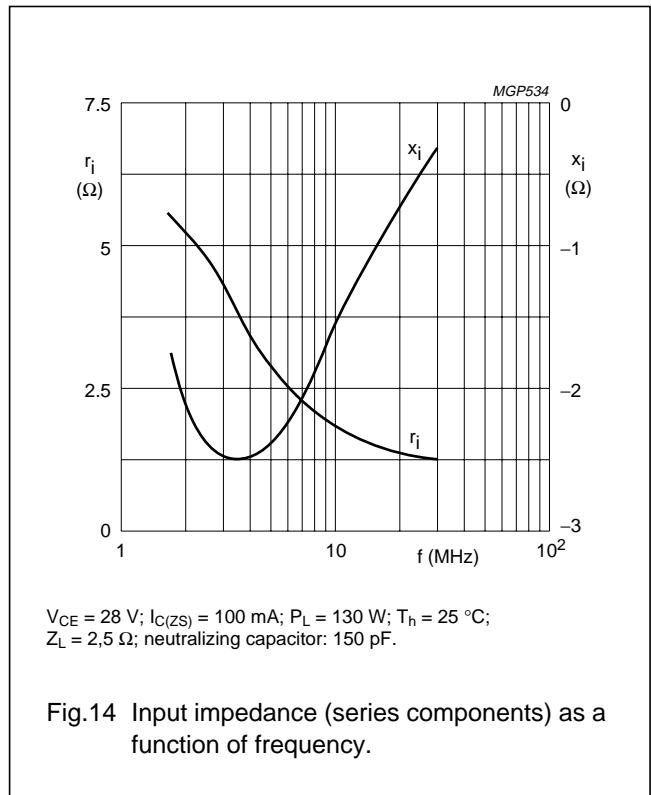
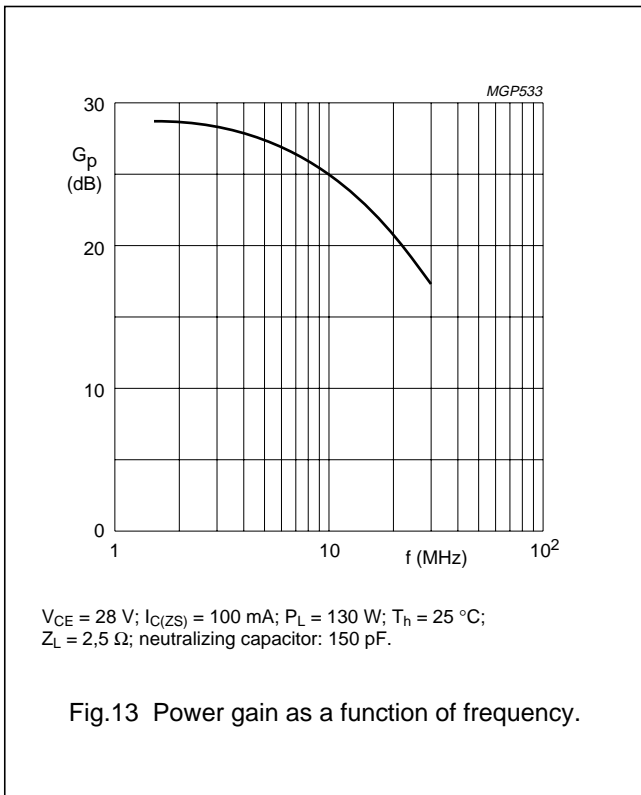
BLW77



Figs 11 and 12 are typical curves and hold for an unneutralized amplifier in s.s.b. class-AB operation.

HF/VHF power transistor

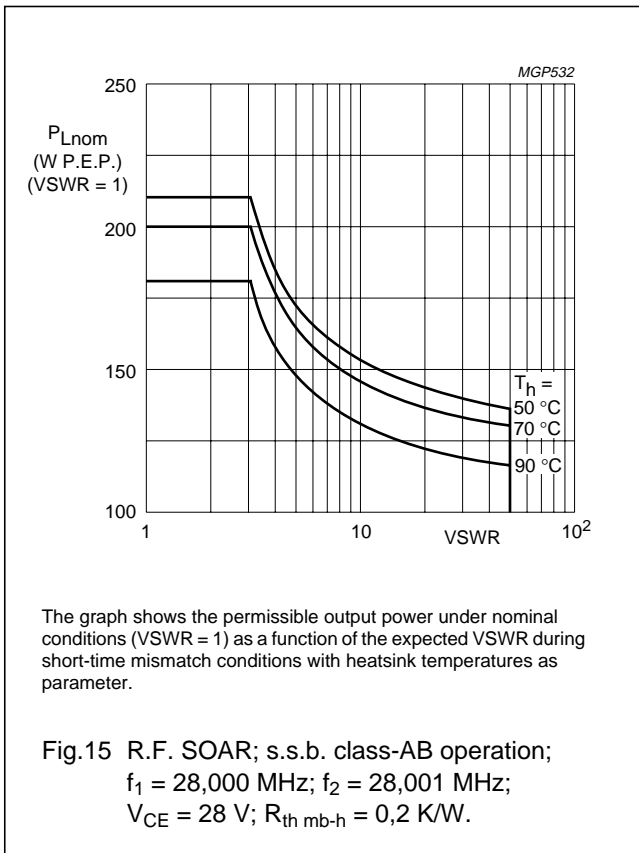
BLW77



13 and 14 are typical curves and hold for a push-pull amplifier with cross-neutralization in s.s.b class-AB operation.

HF/VHF power transistor

BLW77



HF/VHF power transistor

BLW77

R.F. performance in c.w. operation (unneutralized common-emitter class-B circuit); $T_h = 25\text{ }^\circ\text{C}$

| f (MHz) | V_{CE} (V) | P_L (W) | P_S (W) | G_p (dB) | I_c (A) | η (%) | \bar{z}_i (Ω) | \bar{Y}_L (mS) |
|---------|--------------|-----------|-----------|------------|-----------|------------|--------------------------|------------------|
| 87,5 | 28 | 130 | typ. 23,2 | typ. 7,5 | typ. 6,2 | typ. 75 | $0,62 + j0,73$ | $273 - j42$ |

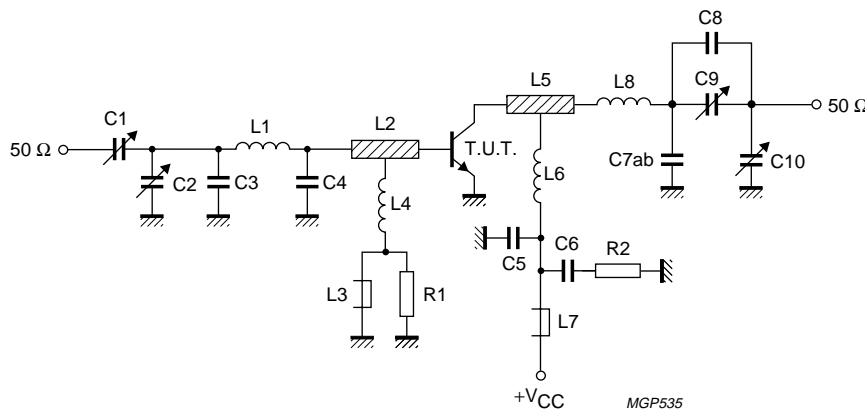


Fig.16 Test circuit; c.w. class-B.

List of components:

- C1 = 4 to 40 pF film dielectric trimmer (cat. no. 2222 809 07008)
 - C2 = C9 = C10 = 7 to 100 pF film dielectric trimmer (cat. no. 2222 809 07015)
 - C3 = C8 = 22 pF ceramic capacitor (500 V)
 - C4 = 4 \times 82 pF ceramic capacitors in parallel (500 V)
 - C5 = 390 pF polystyrene capacitor
 - C6 = 220 nF polyester capacitor
 - C7a = 2 \times 10 pF ceramic capacitors in parallel (500 V)
 - C7b = 2 \times 8,2 pF ceramic capacitors in parallel (500 V)
 - L1 = 25 nH; 2 turns Cu wire (1,6 mm); int. dia. 5,0 mm; length 4,6 mm; leads 2 \times 5 mm
 - L2 = L5 = 2,4 nH; strip (12 mm \times 6 mm); tap for L4 and L6 at 5 mm from transistor
 - L3 = L7 = Ferroxcube wide-band h.f. choke, grade 3B (cat. no. 4312 020 36640)
 - L4 = 100 nH; 7 turns closely wound enamelled Cu wire (0,5 mm); int. dia. 3 mm; leads 2 \times 5 mm
 - L6 = 46 nH; 2 turns Cu wire (2,0 mm); int. dia. 9,0 mm; length 6,0 mm; leads 2 \times 5 mm
 - L8 = 44 nH; 2 turns Cu wire (2,0 mm); int. dia. 9,0 mm; length 6,7 mm; leads 2 \times 5 mm
- L2 and L5 are strips on a double Cu-clad printed-circuit board with epoxy fibre-glass dielectric.
- R1 = 10 Ω (\pm 10%) carbon resistor
 - R2 = 10 Ω (\pm 10%) carbon resistor

Component layout and printed-circuit board for 87,5 MHz test circuit are shown in Fig.17.

HF/VHF power transistor

BLW77

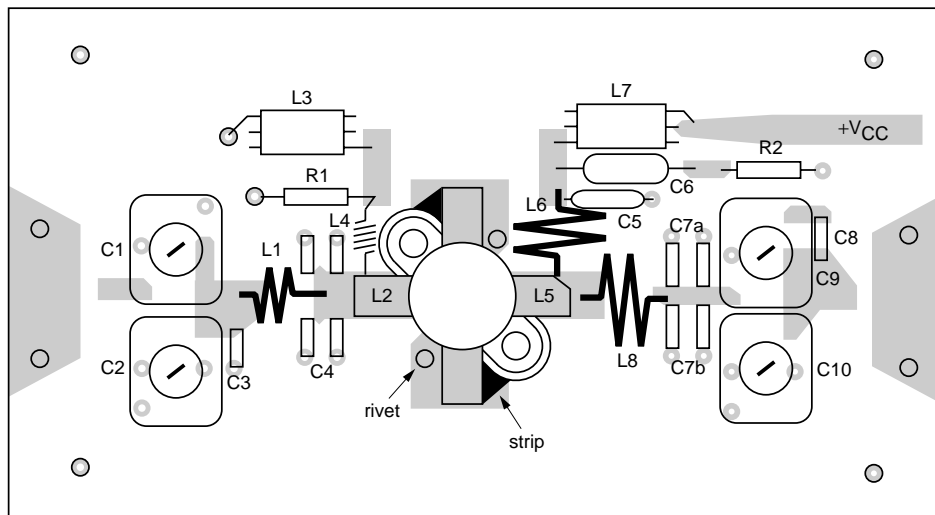
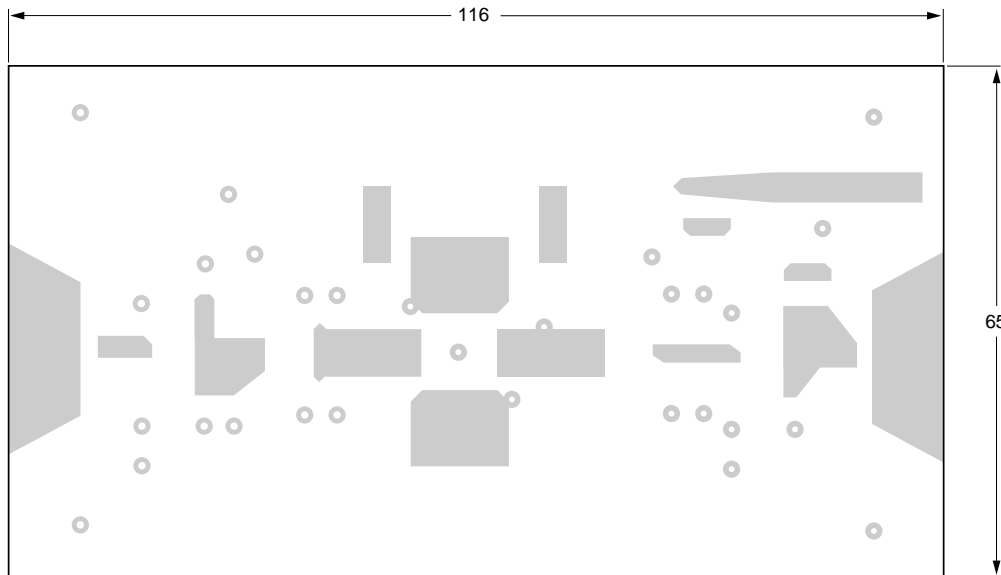


Fig.17 Component layout and printed-circuit board for 87,5 MHz test circuit.

The circuit and the components are situated on one side of the epoxy fibre-glass board, the other side being fully metallized to serve as earth. Earth connections are made by means of hollow rivets, whilst under the emitter leads Cu straps are used for a direct contact between upper and lower sheets.

HF/VHF power transistor

BLW77

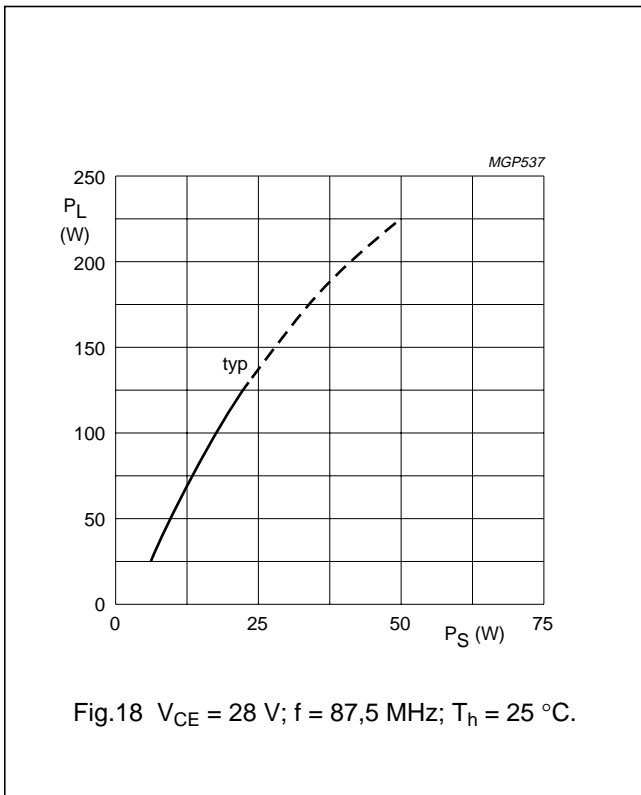


Fig.18 $V_{CE} = 28 \text{ V}$; $f = 87,5 \text{ MHz}$; $T_h = 25 \text{ }^\circ\text{C}$.

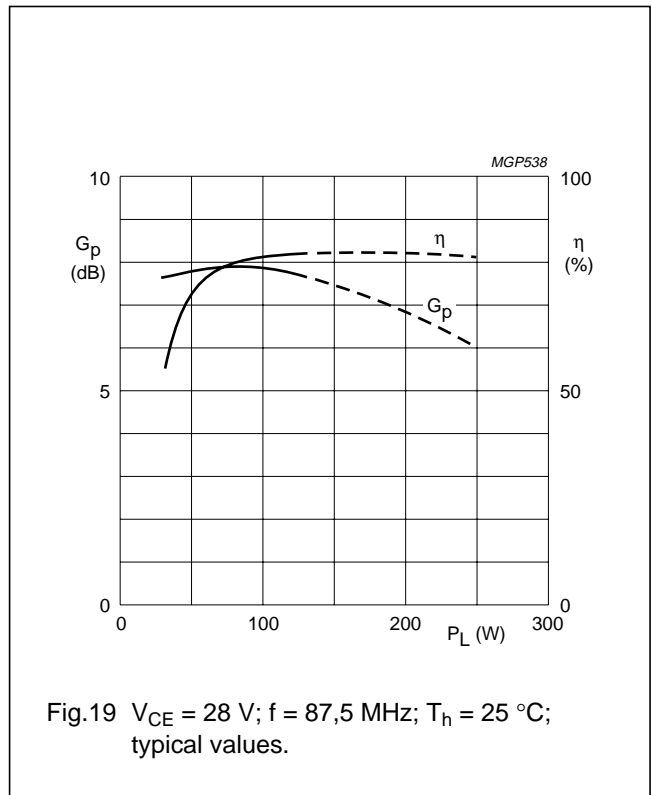
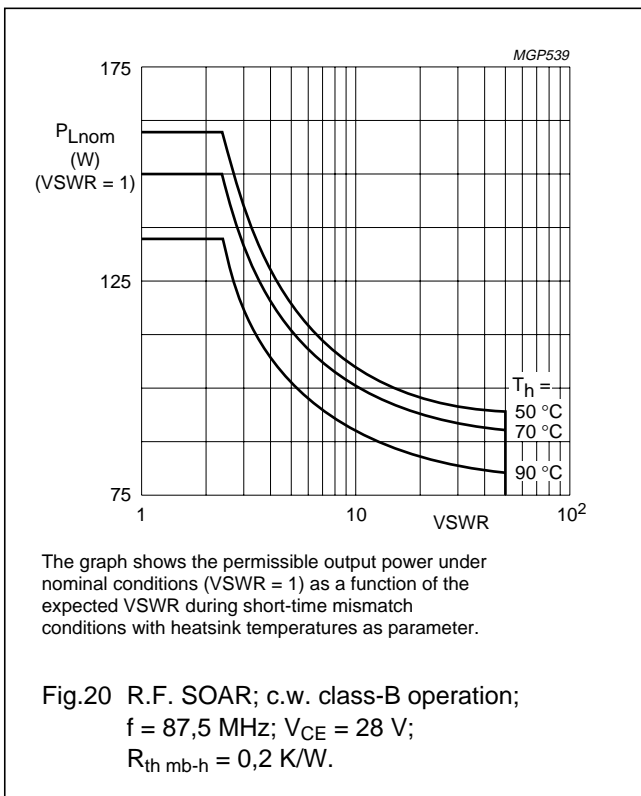


Fig.19 $V_{CE} = 28 \text{ V}$; $f = 87,5 \text{ MHz}$; $T_h = 25 \text{ }^\circ\text{C}$; typical values.



The graph shows the permissible output power under nominal conditions (VSWR = 1) as a function of the expected VSWR during short-time mismatch conditions with heatsink temperatures as parameter.

Fig.20 R.F. SOAR; c.w. class-B operation;
 $f = 87,5 \text{ MHz}$; $V_{CE} = 28 \text{ V}$;
 $R_{th \text{ mb-h}} = 0,2 \text{ K/W}$.

HF/VHF power transistor

BLW77

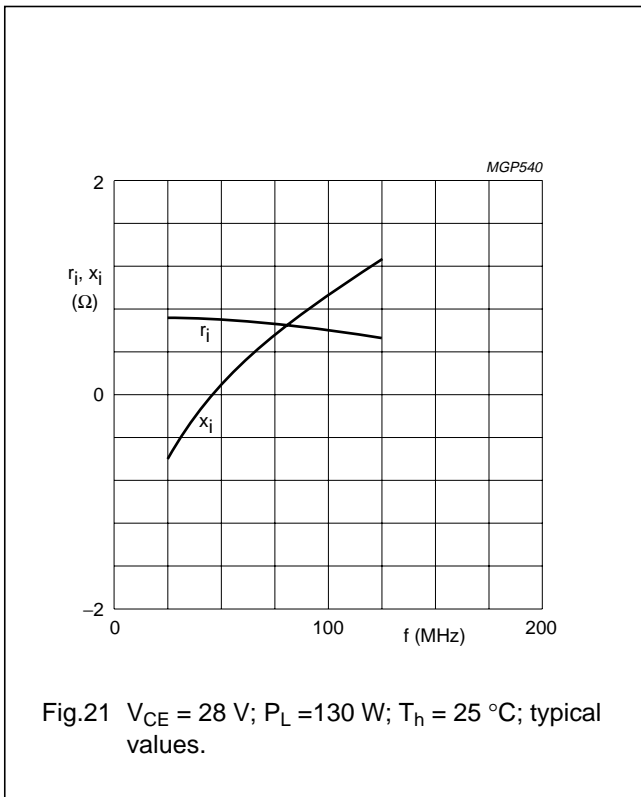


Fig.21 $V_{CE} = 28 \text{ V}$; $P_L = 130 \text{ W}$; $T_h = 25 \text{ }^\circ\text{C}$; typical values.

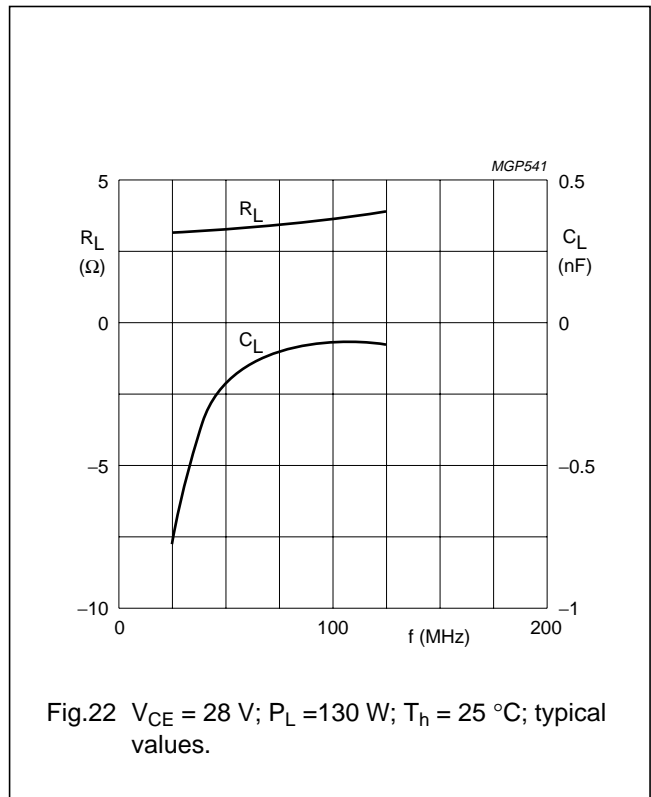


Fig.22 $V_{CE} = 28 \text{ V}$; $P_L = 130 \text{ W}$; $T_h = 25 \text{ }^\circ\text{C}$; typical values.

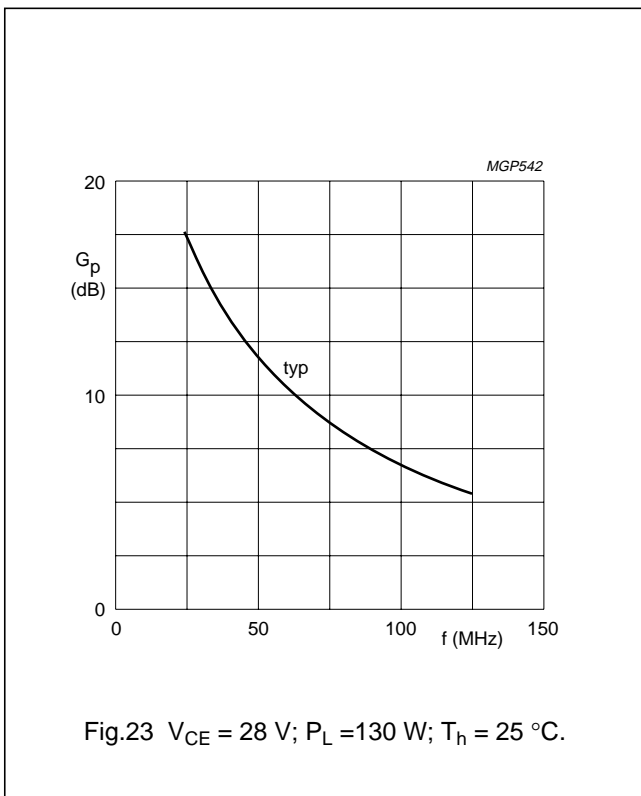


Fig.23 $V_{CE} = 28 \text{ V}$; $P_L = 130 \text{ W}$; $T_h = 25 \text{ }^\circ\text{C}$.

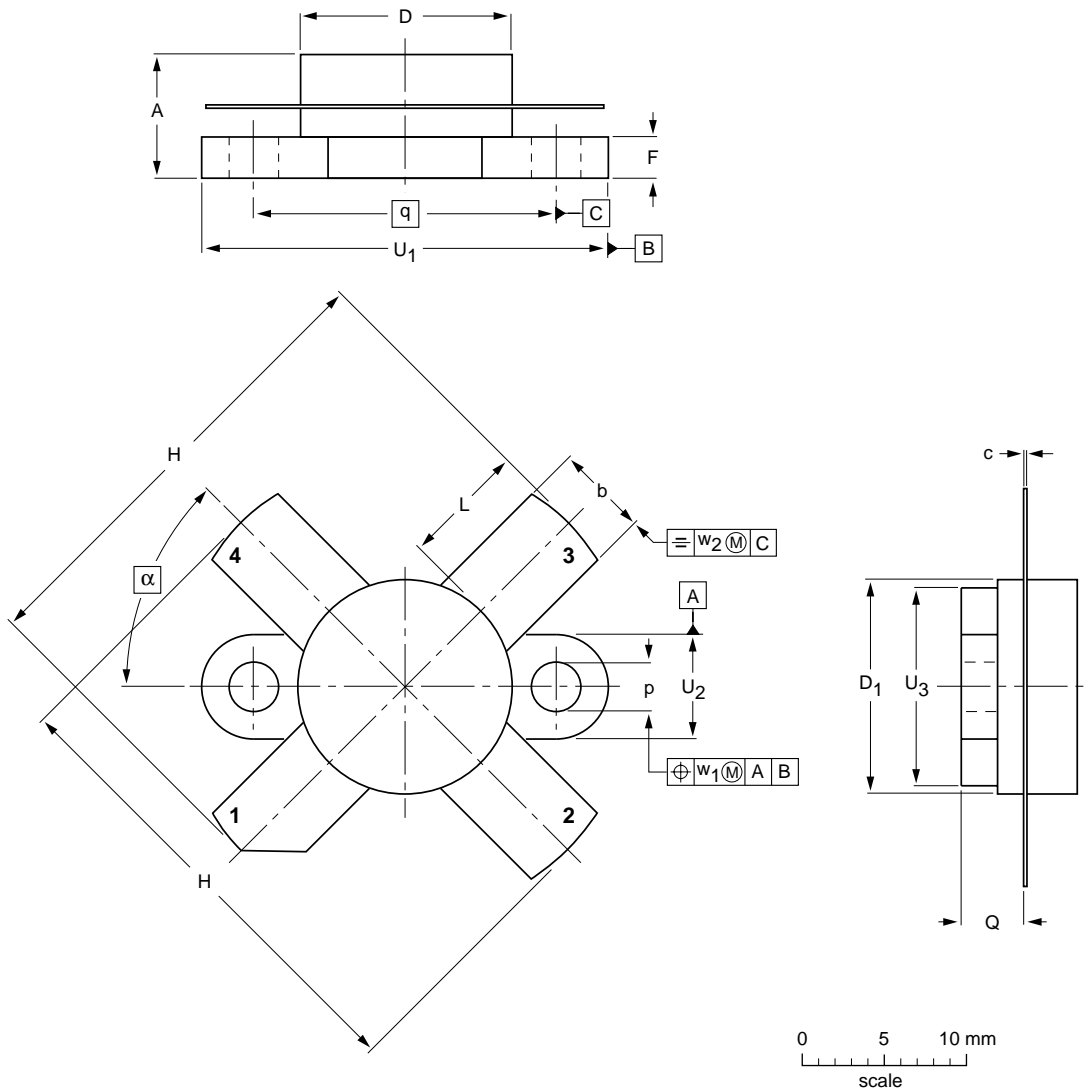
HF/VHF power transistor

BLW77

PACKAGE OUTLINE

Flanged ceramic package; 2 mounting holes; 4 leads

SOT121B



DIMENSIONS (millimetre dimensions are derived from the original inch dimensions)

| UNIT | A | b | c | D | D ₁ | F | H | L | p | Q | q | U ₁ | U ₂ | U ₃ | w ₁ | w ₂ | α |
|--------|----------------|----------------|----------------|----------------|----------------|----------------|----------------|----------------|----------------|----------------|-------|----------------|----------------|----------------|----------------|----------------|----------|
| mm | 7.27 6.17 | 5.82 5.56 | 0.16 0.10 | 12.86 12.59 | 12.83 12.57 | 2.67 2.41 | 28.45 25.52 | 7.93 6.32 | 3.30 3.05 | 4.45 3.91 | 18.42 | 24.90 24.63 | 6.48 6.22 | 12.32 12.06 | 0.51 | 1.02 | 45° |
| inches | 0.286 0.243 | 0.229 0.219 | 0.006 0.004 | 0.506 0.496 | 0.505 0.495 | 0.105 0.095 | 1.120 1.005 | 0.312 0.249 | 0.130 0.120 | 0.175 0.154 | 0.725 | 0.98 0.97 | 0.255 0.245 | 0.485 0.475 | 0.02 | 0.04 | |

| OUTLINE VERSION | REFERENCES | | | | EUROPEAN PROJECTION | ISSUE DATE |
|-----------------|------------|-------|------|--|---------------------|------------|
| | IEC | JEDEC | EIAJ | | | |
| SOT121B | | | | | | 97-06-28 |

HF/VHF power transistor

BLW77

DEFINITIONS

| Data Sheet Status | |
|---|---|
| Objective specification | This data sheet contains target or goal specifications for product development. |
| Preliminary specification | This data sheet contains preliminary data; supplementary data may be published later. |
| Product specification | This data sheet contains final product specifications. |
| Limiting values | |
| Limiting values given are in accordance with the Absolute Maximum Rating System (IEC 134). Stress above one or more of the limiting values may cause permanent damage to the device. These are stress ratings only and operation of the device at these or at any other conditions above those given in the Characteristics sections of the specification is not implied. Exposure to limiting values for extended periods may affect device reliability. | |
| Application information | |
| Where application information is given, it is advisory and does not form part of the specification. | |

LIFE SUPPORT APPLICATIONS

These products are not designed for use in life support appliances, devices, or systems where malfunction of these products can reasonably be expected to result in personal injury. Philips customers using or selling these products for use in such applications do so at their own risk and agree to fully indemnify Philips for any damages resulting from such improper use or sale.