

Geode™ CS1301/CS1311 Multimedia Companion: Media Coprocessor

General Description

The National Semiconductor® Geode™ CS1301 and CS1311 multimedia companions act as coprocessors to decode multimedia in National's Geode single chip processor-based systems (i.e., SC1200/SC1201, SC2200, and SC3200, hereafter referred to as SCx200). They provide a multimedia experience for an Information Appliance (IA) user that cannot typically be achieved on a PC.

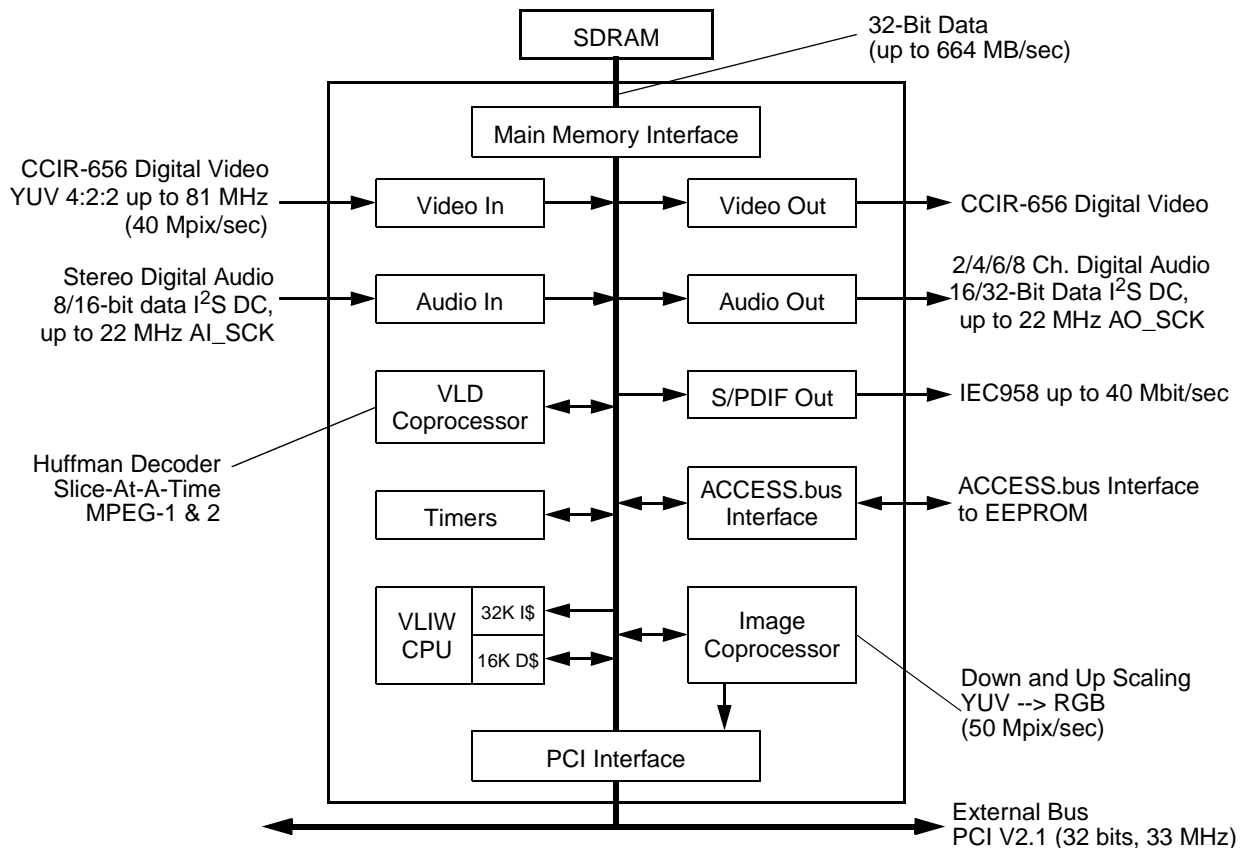
By implementing a dedicated coprocessor to perform multimedia tasks, a high quality video viewing experience can be achieved. This high quality is achieved by having a coprocessor architecture that is ideally suited for decoding digital media. In addition, since the decoding is not occurring on the SCx200, system events cannot interrupt the

coprocessor's task of decoding media and thereby causing stuttering of sound or interruptions in the video.

Lower power consumption can also be achieved using the SCx200/CS1301 or SCx200/CS1311 solution. The CS1301/CS1311 has an architecture specifically designed for decoding media. The architecture is such that while decoding media, power is not consumed by portions of the system that are not used to decode media. Since the SCx200 is not decoding the media locally, it is able to go into a lower power state. When the CS1301/CS1311 is not decoding media, it uses almost no power.

Additionally, since the architecture is designed for decoding media, fewer CS1301/CS1311 cycles are required.

Internal Block Diagram



National Semiconductor and Virtual System Architecture are registered trademarks of National Semiconductor Corporation. Geode, MacPHYTER, WebPAD, and VSA are trademarks of National Semiconductor Corporation. For a complete listing of National Semiconductor trademarks, please visit www.national.com/trademarks.

Features

General Features

- Physical
- Process 0.25-micron CMOS
- Packaged in a 292-terminal TEPBGA (Thermally Enhanced Plastic Ball Grid Array)
- Power supply:
 - CS1301: 2.5V Core; 3.3V I/O (5V tolerant)
 - CS1311: 2.2V Core; 3.3V I/O (5V tolerant)
- Consumption 1300 mA; 3.5W
- Power-down 300 mA
- Case Temperature 0° to 85°C

Central Processing Unit

- Clock speed:
 - CS1301: 180 MHz
 - CS1311: 166 MHz
- Instruction length variable (2 to 23 bytes)
- Instruction set arithmetic and logical operations, load/store operations, special multimedia and DSP operations, IEEE compliant floating point operations
- Functional units 27, pipelined

Caches

- Data 16 KB, instructions 32 KB

Memory System

- Speed 166 MHz SDRAM
- CPU/Memory programmable; 1:1, 5:4, 4:3, 3:2, and 2:1 speed ratios
- Memory size 512 KB to 64 MB (up to four banks)
- Recommended configurations:
 - 16 MB: Two 4M x 16 or two 2M x 32
 - 32 MB: Four 2M x 32 or four 4M x 16
- Width 32-bit bus
- Max. bandwidth 664 MB/sec (at 166 MHz)

Image Coprocessor

- Scaling programmable scale factor (0.2X to 10X) using 5-tap filters:
 - Horizontal or vertical scaling and filtering of individual Y, U or V
 - Horizontal scaling and filtering with color conversion and overlay
 - HYUV to RGB, RGB overlay and alpha blending, bit mask blanking

VLD Coprocessor

- Parses MPEG-1 and MPEG-2 elementary bit streams generating run-level pairs and filling macroblock headers

Timers

- Four 32-bit wide timers

Input/Output Support

- PCI Interface:
 - PCI 2.1 compliant
 - Speed 33 MHz
 - Bus width 32 bits
 - Voltage drive and receive at 3.3V
- Audio In (AI):
 - Two I²S compliant channels
 - Sample size 8 or 16-bit samples per channel
- Audio Out (AO):
 - Eight I²S compliant channels
 - Sample size 16 or 32-bit samples per channel
- Video In (VI):
 - Supported signals CCIR-601/656:
 - 8-bit video (up to 40 Mpix/sec)
 - Image sizes all sizes, subject to sample rate
 - Provides programmable on-the-fly 2X horizontal resolution subsampling
- Video Out (VO):
 - Image sizes flexible, including CCIR-601; max. 4K x 4K pixels (subject to 80 MB/sec data rate)
 - Outputs CCIR-601/656 8-bit video, PAL or NTSC
 - Clock rates programmable (4-80 MHz), typical 27 MB/sec (13.5 Mpix/sec for NTSC, PAL; 40 Mpix/sec in YUV 4:2:2 mode)
 - Features full 129-level alpha blending, GenLock mode, frame synchronization chroma key, programmable YUV color clipping
- S/PDIF Out:
 - Number of channels up to 6
 - Sample size 16 or 24 bits per channel
 - IEC-958, output up to 40 Mbits/sec
- ACCESS.bus Interface:
 - Supported modes single master only
 - Addressing 7-bit
 - Rates up to 400 Kbps

1.0 System Architecture

The CS1301/CS1311 multimedia companion acts as a coprocessor to decode multimedia in National's Geode SC1200/SC1201, SC2200, and SC3200 (SCx200 unless otherwise specified). Figure 1-1 provides a typical system block diagram.

Media decoding is one of the most demanding system applications. If media is decoded on the main processor, a much higher performance processor is required to achieve even comparable levels of media decoding quality. Such a system would be significantly over-designed for other tasks, such as browsing the Internet. Using a low-cost processor that is ideally suited for all tasks, and adding the coprocessor for the high performance media decoding requirement, results in a cost-effective solution.

Another advantage of an processor/coprocessor solution is that an OEM (Original Equipment Manufacturer) can provide a scalable solution. A single board can be designed that supports the coprocessor. If it is desired to support a low-end product that does not support the high quality media decoding capabilities, the coprocessor and its supporting components can be excluded from the system, which results in additional savings in an already cost-effective design.

1.1 IMPORTANT DESIGN NOTE

The CS1301/CS1311 was designed to be a general purpose media data processor. As such, the CS1301/CS1311 is capable of far more than the current National CS1301/CS1311 solution. The solution that National is providing is only one possible implementation of the CS1301/CS1311 and only this implementation is fully supported by National Semiconductor. In order to maintain software compatibility with National's provided software, any deviation of the CS1301/CS1311 section of the schematic is strongly discouraged.

For those wishing to deviate from the schematic, or wishing to take advantage of other features of the CS1301/CS1311, documentation is available on the Philips Semiconductors SDE CD-ROM to support design variations. However, additional support to implement these variations must be obtained from one of the TriMedia Alliance Partners who support the CS1301/CS1311, its software, and the peripheral functions.

For a list of TriMedia Alliance Partners, visit: <http://www.trimedia.com/TAPP/>

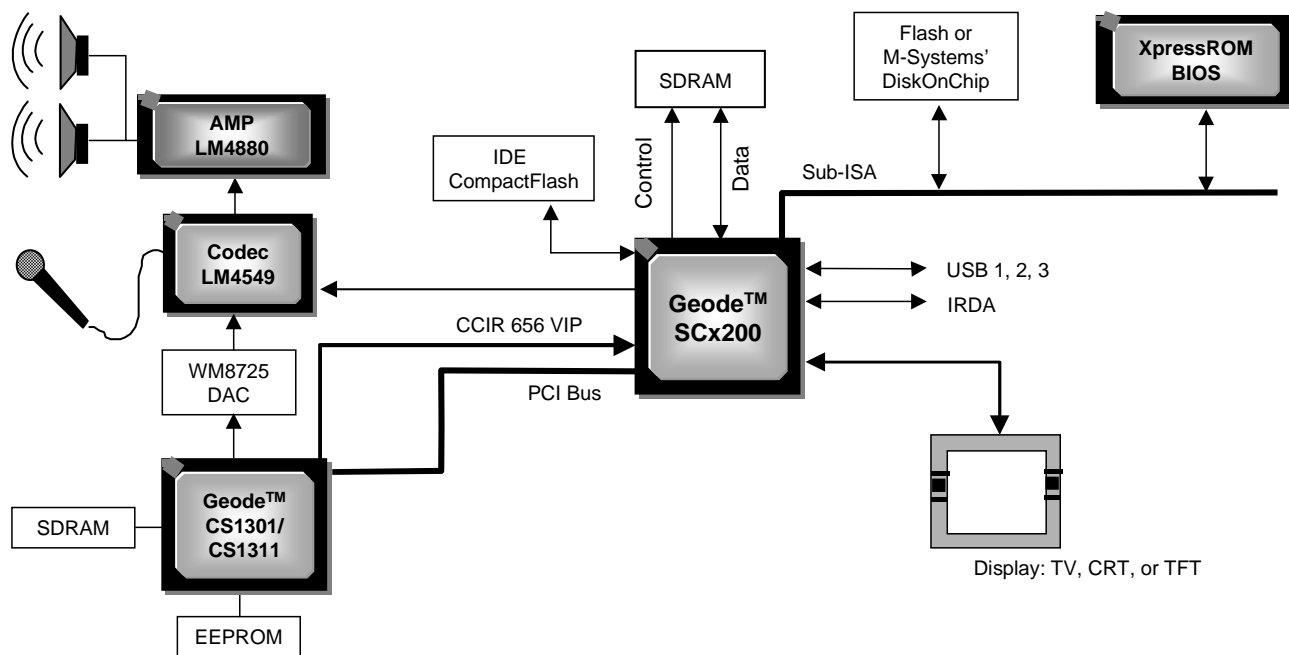


Figure 1-1. System Block Diagram

System Architecture (Continued)

1.2 SOFTWARE

The CS1301/CS1311 software and reference schematic is provided for a system that decodes media quickly with no original software development needed. As part of the CS1301/CS1311 purchase (see Section A.1 "Ordering Information" on page 24 for purchase details), National will license for the use of the operating system drivers and media decoder codecs in object form, which include:

- Communications manager driver.
- Video filter: Takes the video from the VIP (Video Input Port) of the Geode SCx200 and plays it back through the operating system media player.
- Various multimedia codecs.

1.2.1 Software Support

National provides a reference schematic and the associated software for a processor/coprocessor solution using the Geode SCx200 and the CS1301/CS1311. This implementation is currently supplied as a multimedia decoder for CE player under Microsoft Windows CE.net or Linux. Future support for Microsoft Windows XP is planned. Since this is a software-based DSP (Digital Signal Processor) coprocessor rather than strictly a silicon-based coprocessor, the software can be upgraded to support evolving media standards without a redesign of the hardware.

1.2.2 Software Features Support

The CS1301/CS1311 multimedia solution supports the following software components:

General Support

- Reverse 3:2 pull down
- Progressive display output
- Capture Video Input

MPEG-1 Decoding

- System stream (ISO 11172-1):
 - Up to 1.5 Mbps
- Video stream (ISO 11172-2):
 - CIF (up to 360x288) resolution
 - 29.97 fps (NTSC)
 - 25 fps (PAL)
 - Up to 1.12 Mbps
- Audio stream (ISO 11172-3): MPEG-1 layers 1 and 2:
 - Up to 384 Kbps, 32 KHz, 44.1 KHz or 48 KHz sample rate

MPEG-2 Decoding

- Program stream (ISO 13818-1): DVD style MPEG-2 program stream
- Video stream (ISO 13818-2) - Main level at main profile:
 - Full screen NTSC (720x480) at 29.97 fps
 - Full screen PAL (720x576) at 25 fps
- Audio stream - MPEG-2 audio:
 - Layers 1 and 2 (ISO 13818-3) at 32 KHz, 44.1 KHz or 48 KHz sample rate
 - AC3 audio at 32 KHz, 44.1 KHz or 48 KHz sample rate

MPEG-1, MPEG-2 Layer 3 Audio Decoding (MP3)

- Up to 384 Kbps
- Up to 48 KHz sample rate
- Fixed bit rate decoding

MPEG-4 Decoding

- Video stream - "Simple profile":
 - CIF resolution at 30 fps, up to 384 Kbps
- Audio stream - "High quality profile":
 - MPEG-4 AAC low complexity and MPEG-4 CELP

WMT (Windows Media Technology) Decoding

- Video stream - Windows Media Video v8, also supports v7 decode:
 - CIF resolution at 30 fps, up to 1 Mbps
- Audio stream - Windows Media Audio v8, also supports v7 decode:
 - Up to 128 Kbps and 48 KHz sample rate

Windows Media Player Integration

An implementation has been developed to seamlessly integrate Windows Media Player with WindowsCE.net or Linux. National has taken advantage of the native playback features supported by Microsoft DirectShow and has extended that functionality to the CS1301/CS1311. WindowsCE.net ships with an ActiveX control that wraps the filter graph manager and provides a very high level API (Application Programming Interface). It also supports a browser plug-in. An application writer can use the ActiveX control interface to playback MPEG-1/MPEG-2 media types. The user can also open the MPEG-1/MPEG-2/WMT files in Windows Media Player by double clicking on the file or by launching WMP, then opening the selected media.

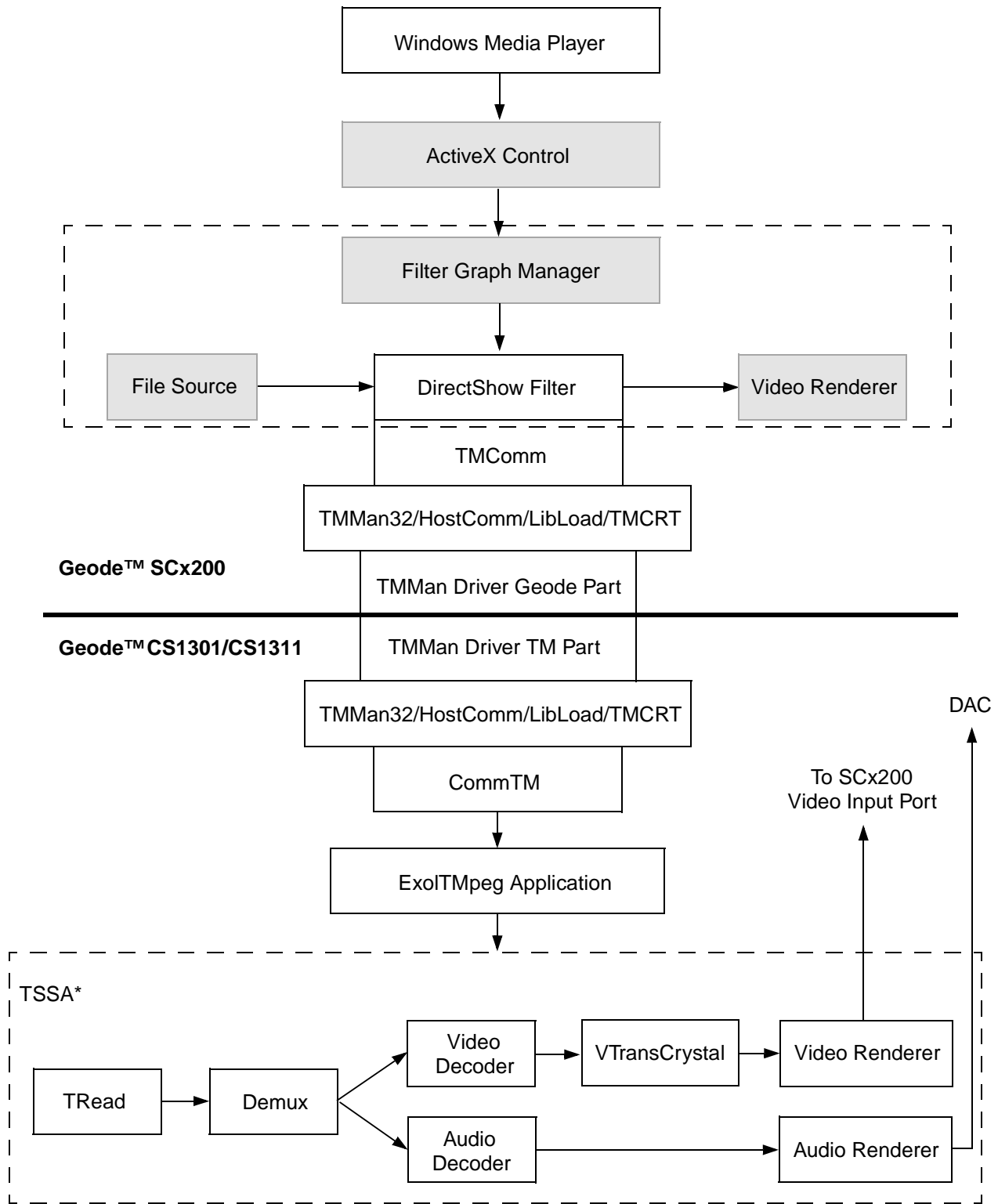
New codecs are continually being developed and added (see National's IA Developer's web site for a list of supported codecs).

System Architecture (Continued)

1.2.3 Software Architecture Overview

Figure 1-2 demonstrates the interaction between the various software layers.

Note: The shaded boxes indicate components provided by Microsoft Corporation.



* TriMedia Streaming Software Architecture

Figure 1-2. Software Architecture Diagram

System Architecture (Continued)

1.2.4 Software Component Pricing and Licensing

National delivers and supports a complete software solution when paired up with the WindowsCE.net or Linux operating system. The delivered software is a compilation of software created by National Semiconductor, Philips Semiconductors and Microsoft. Customers may need separate pricing and support agreements for Windows Media Technology (Microsoft), BIOS, Operating System, and middleware. National's pricing excludes fundamental patents: MPEG-1, -2, -4 (MPEG-LA) and MP3 (Thomson Multimedia/Fraunhofer ILS). The following tables list the associated software, their respective owners and the licensing requirements for each.

1.2.4.1 Codec Software

The codec software includes video and audio decoders and operates on the CS1301/CS1311 (see Table 1-1). This software performs the task of decoding the encoded media content, which are the workhorses of the solution.

1.2.4.2 Host Filter Software

The DirectShow filter is the core piece of software that integrates the CS1301/CS1311 media companion with Microsoft DirectShow (see Table 1-2).

Table 1-1. Codec Software

Components	IP Owner(s)	Available as Source/Binary	Licensing Requirements
TM MP3 Decoder	Philips Semiconductors	Binary	Licensee is responsible for licensing of all fundamental patents.
TM MP3 Basic Application			
TM MPEG-1 Video Decoder			
TM MPEG-1 Audio Decoder			
TM MPEG-2 Video Decoder			
TM MPEG-2 Audio Decoder			
TM AC-3 Audio Decoder			
TM MPEG-2 Program Stream Demux			
TM MPEG-2 Basic Application			
TM MPEG-4 Video Decoder			
TM MPEG-4 AAC Audio Decoder			
TM MPEG-4 CELP Audio Decoder			
TM MPEG-1 File Parser and Demultiplexer			
TM MPEG-4 Basic Application			
TM WMT v8 Video Decoder	National Semiconductor Microsoft	Binary	Microsoft WMT license required.
TM WMT v8 Audio Decoder			

Table 1-2. Host Filter Software

Components	IP Owner	Available as Source/Binary	Licensing Requirements
DirectShow Filter	National Semiconductor	Binary	Not licensed as source code.

System Architecture (Continued)

1.2.4.3 Communications Driver Software

The communications driver software includes most of the components that perform the communication and control tasks between the Geode SCx200 and the CS1301/CS1311 (see Table 1-3).

1.2.4.4 Software Development Kit

The Software Development Kit (SDK) includes the core software components that run on the TM32A core of the CS1301/CS1311. These are the supporting software com-

ponents that enable the execution of the codec software on the CS1301/CS1311 (see Table 1-4).

1.2.4.5 System Software

To expand system functionality beyond media decoding, Geode software components are included. These are standard components to be used in a non-media enabled application to support the required functions of an Information Appliance. In some cases, these drivers have been optimized to work with the CS1301/CS1311 (see Table 1-5).

Table 1-3. Communications Driver Software

Components	IP Owner(s)	Available as Source/Binary	Licensing Requirements
Host TMMMan Driver	National Semiconductor Philips Semiconductors	Open Source	Per Philips Semiconductors public source license provisions.
TM TMMMan Library			
TMComm Library			
HostComm Library			
TMCRT Library			
TMMMan 32			
LibLoad	TriMedia Technologies, Inc.	Binary	NA

Table 1-4. SDK Software

Components	IP Owner(s)	Available as Source/Binary	Licensing Requirements
COMMTM	National Semiconductor Philips Semiconductors	Binary	NA
Video Renderer			
Audio Renderer			
TRead			
VTrans Crystal			
PSOS	VxWorks	Binary	OS run-time licenses.

Table 1-5. System Software

Components	IP Owner(s)	Available as Source/Binary	Licensing Requirements
Graphics Driver (Linux, WinCE.net)	National Semiconductor	Source	National source code license.
Audio Driver (Linux, WinCE.net)			
WinCE.net Power Management OAL			
Touchscreen Driver (Linux, WinCE.net)			
National's DP83815 MacPHYTER™ Network Driver (Linux, WinCE.net)			

2.0 Signal Definitions

This section defines the signals and describes the external interface of the CS1301/CS1311 media companion. Figure 2-1 shows the signals organized by their functional groups.

The remaining subsections of this chapter describe:

- Section 2.1 "Ball Assignments": Provides a ball assignment diagram and tables listing the signals sorted according to ball number and alphabetically by signal name.
- Section 2.2 "Signal Descriptions": Detailed descriptions of each signal according to functional group.
- Section 2.3 "Reference Voltages": Discussion on ball reference voltages.

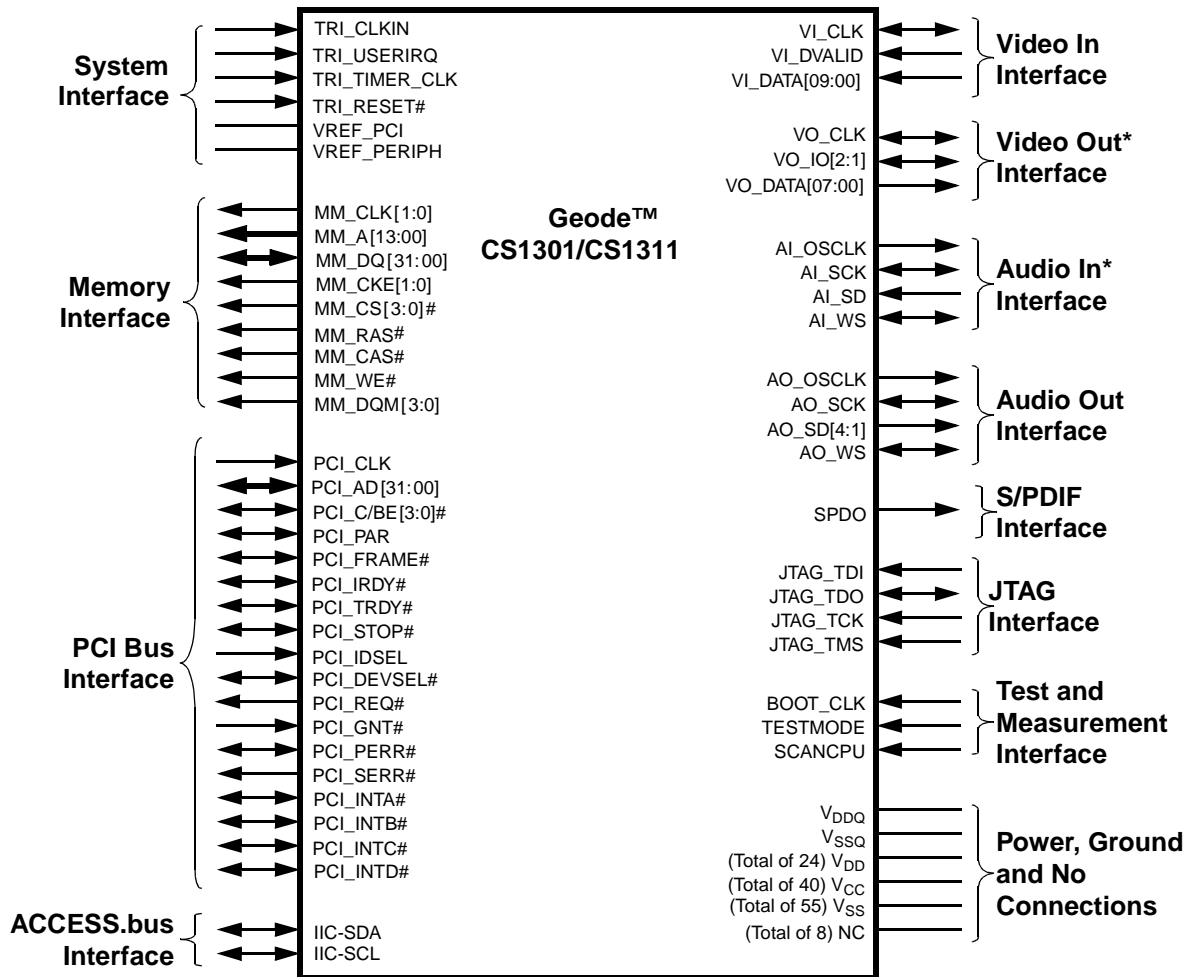
2.1 BALL ASSIGNMENTS

The CS1301/CS1311 has a total of 169 functional pins, excluding V_{DDQ} , V_{SSQ} , $VREF_{PCI}$, $VREF_{PERIPH}$, and digital power/ground. For pins with 5.0V input capability, the $VREF_{PCI}$ or $VREF_{PERIPH}$ determines 3.3V or 5.0V input tolerance. Unused pins can remain floating/unconnected; all pins that drive a clock should drive a series resistor.

Table 2-1 shows the types of I/O circuits used by the CS1301/CS1311 series. Note that the # symbol in a signal name indicates that the active or asserted state occurs when the signal is at a low voltage level. Otherwise, the signal is asserted when at a high voltage level.

Table 2-1. Ball Type Descriptions

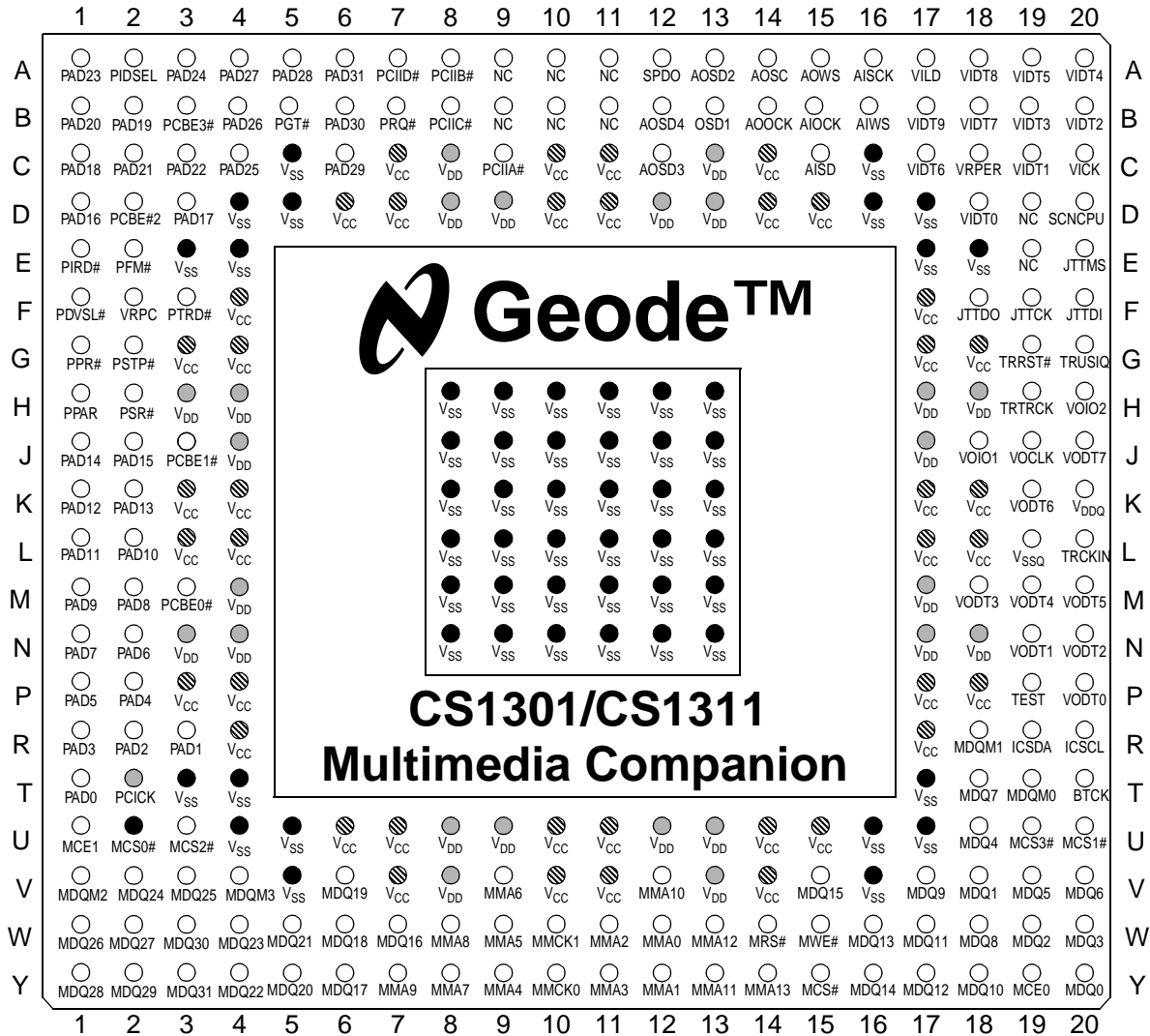
Modes	Description
I	Input only, except during boundary scan.
O	Output only, except during boundary scan.
OD	Open Drain output, active pull low, no active drive high, requires external pull-up.
I/O	Input or Output.
I/OD	Input with Open Drain output, active pull low, no active drive high, requires external pull-up.



*Video In and Audio In are supported by third party software solutions, not by the National Semiconductor solution.

Figure 2-1. Functional Block Diagram

Signal Definitions (Continued)



Note: Signal names have been abbreviated in this figure due to space constraints.
 ● = GND Connection
 ○ = CS1301 2.5V Core Power Connection; CS1311 2.2V Core Power Connection
 ⊗ = 3.3V I/O Power Connection

Figure 2-2. 292-TEPBGA Ball Assignment Diagram

Signal Definitions (Continued)

Table 2-2. Ball Assignment Sorted by Ball Number

Ball No.	Signal Name	Type	Ball No.	Signal Name	Type	Ball No.	Signal Name	Type
A1	PCI_AD23	I/O	C13	V _{DD}	PWR	G19	TRI_RESET#	I
A2	PCI_IDSEL	I	C14	V _{CC}	PWR	G20	TRI_USERIRQ	I
A3	PCI_AD24	I/O	C15	AI_SD	I	H1	PCI_PAR	I/O
A4	PCI_AD27	I/O	C16	V _{SS}	GND	H2	PCI_SERR#	OD
A5	PCI_AD28	I/O	C17	VI_DATA6	I	H3	V _{DD}	PWR
A6	PCI_AD31	I/O	C18	VREF_PERIPH	PWR	H4	V _{DD}	PWR
A7	PCI_INTD#	I/OD	C19	VI_DATA1	I	H8	V _{SS}	GND
A8	PCI_INTB#	I/O/OD	C20	VI_CLK	I/O	H9	V _{SS}	GND
A9	NC	---	D1	PCI_AD16	I/O	H10	V _{SS}	GND
A10	NC	---	D2	PCI_C/BE#2	I/O	H11	V _{SS}	GND
A11	NC	---	D3	PCI_AD17	I/O	H12	V _{SS}	GND
A12	SPDO	O	D4	V _{SS}	GND	H13	V _{SS}	GND
A13	AO_SD2	O	D5	V _{SS}	GND	H17	V _{DD}	PWR
A14	AO_SCK	I/O	D6	V _{CC}	PWR	H18	V _{DD}	PWR
A15	AO_WS	I/O	D7	V _{CC}	PWR	H19	TRI_TIMER_CLK	I
A16	AI_SCK	I/O	D8	V _{DD}	PWR	H20	VO_IO2	I/O
A17	VI_DVALID	I	D9	V _{DD}	PWR	J1	PCI_AD14	I/O
A18	VI_DATA8	I	D10	V _{CC}	PWR	J2	PCI_AD15	I/O
A19	VI_DATA5	I	D11	V _{CC}	PWR	J3	PCI_C/BE1#	I/O
A20	VI_DATA4	I	D12	V _{DD}	PWR	J4	V _{DD}	PWR
B1	PCI_AD20	I/O	D13	V _{DD}	PWR	J8	V _{SS}	GND
B2	PCI_AD19	I/O	D14	V _{CC}	PWR	J9	V _{SS}	GND
B3	PCI_C/BE3#	I/O	D15	V _{CC}	PWR	J10	V _{SS}	GND
B4	PCI_AD26	I/O	D16	V _{SS}	GND	J11	V _{SS}	GND
B5	PCI_GNT#	I	D17	V _{SS}	GND	J12	V _{SS}	GND
B6	PCI_AD30	I/O	D18	VI_DATA0	I	J13	V _{SS}	GND
B7	PCI_REQ#	O	D19	NC	---	J17	V _{DD}	PWR
B8	PCI_INTC#	I/OD	D20	SCANCPU	I	J18	VO_IO1	I/O
B9	NC	---	E1	PCI_IRDY#	I/O	J19	VO_CLK	I/O
B10	NC	---	E2	PCI_FRAME#	I/O	J20	VO_DATA7	O
B11	NC	---	E3	V _{SS}	GND	K1	PCI_AD12	I/O
B12	AO_SD4	O	E4	V _{SS}	GND	K2	PCI_AD13	I/O
B13	AO_SD1	O	E17	V _{SS}	GND	K3	V _{CC}	PWR
B14	AO_OSCLK	O	E18	V _{SS}	GND	K4	V _{CC}	PWR
B15	AI_OSCLK	O	E19	NC	---	K8	V _{SS}	GND
B16	AI_WS	I/O	E20	JTAG_TMS	I	K9	V _{SS}	GND
B17	VI_DATA9	I	F1	PCI_DEVSEL#	I/O	K10	V _{SS}	GND
B18	VI_DATA7	I	F2	VREF_PCI	PWR	K11	V _{SS}	GND
B19	VI_DATA3	I	F3	PCI_TRDY#	I/O	K12	V _{SS}	GND
B20	VI_DATA2	I	F4	V _{CC}	PWR	K13	V _{SS}	GND
C1	PCI_AD18	I/O	F17	V _{CC}	PWR	K17	V _{CC}	PWR
C2	PCI_AD21	I/O	F18	JTAG_TDO	I/O	K18	V _{CC}	PWR
C3	PCI_AD22	I/O	F19	JTAG_TCK	I	K19	VO_DATA6	O
C4	PCI_AD25	I/O	F20	JTAG_TDI	I	K20	V _{DDQ}	PWR
C5	V _{SS}	GND	G1	PCI_PERR#	I/O	L1	PCI_AD11	I/O
C6	PCI_AD29	I/O	G2	PCI_STOP#	I/O	L2	PCI_AD10	I/O
C7	V _{CC}	PWR	G3	V _{CC}	PWR	L3	V _{CC}	PWR
C8	V _{DD}	PWR	G4	V _{CC}	PWR	L4	V _{CC}	PWR
C9	PCI_INTA#	I/OD	G17	V _{CC}	PWR	L8	V _{SS}	GND
C10	V _{CC}	PWR	G18	V _{CC}	PWR			
C11	V _{CC}	PWR						
C12	AO_SD3	O						

Signal Definitions (Continued)

Table 2-2. Ball Assignment Sorted by Ball Number (Continued)

Ball No.	Signal Name	Type	Ball No.	Signal Name	Type	Ball No.	Signal Name	Type
L9	V _{SS}	GND	R17	V _{CC}	PWR	V18	MM_DQ01	I/O
L10	V _{SS}	GND	R18	MM_DQM1	O	V19	MM_DQ05	I/O
L11	V _{SS}	GND	R19	IIC_SDA	I/OD	V20	MM_DQ06	I/O
L12	V _{SS}	GND	R20	IIC_SCL	I/OD	W1	MM_DQ26	I/O
L13	V _{SS}	GND	T1	PCI_AD00	I/O	W2	MM_DQ27	I/O
L17	V _{CC}	PWR	T2	PCI_CLK	I	W3	MM_DQ30	I/O
L18	V _{CC}	PWR	T3	V _{SS}	GND	W4	MM_DQ23	I/O
L19	V _{SSQ}	GND	T4	V _{SS}	GND	W5	MM_DQ21	I/O
L20	TRI_CLKIN	I	T17	V _{SS}	GND	W6	MM_DQ18	I/O
M1	PCI_AD09	I/O	T18	MM_DQ07	I/O	W7	MM_DQ16	I/O
M2	PCI_AD08	I/O	T19	MM_DQM0	O	W8	MM_A08	O
M3	PCI_C/BE0#	I/O	T20	BOOT_CLK	I	W9	MM_A05	O
M4	V _{DD}	PWR	U1	MM_CKE1	O	W10	MM_CLK1	O
M8	V _{SS}	GND	U2	MM_CS0#	O	W11	MM_A02	O
M9	V _{SS}	GND	U3	MM_CS2#	O	W12	MM_A00	O
M10	V _{SS}	GND	U4	V _{SS}	GND	W13	MM_A12	O
M11	V _{SS}	GND	U5	V _{SS}	GND	W14	MM_RAS#	O
M12	V _{SS}	GND	U6	V _{CC}	PWR	W15	MM_WE#	O
M13	V _{SS}	GND	U7	V _{CC}	PWR	W16	MM_DQ13	I/O
M17	V _{DD}	PWR	U8	V _{DD}	PWR	W17	MM_DQ11	I/O
M18	VO_DATA3	O	U9	V _{DD}	PWR	W18	MM_DQ08	I/O
M19	VO_DATA4	O	U10	V _{CC}	PWR	W19	MM_DQ02	I/O
M20	VO_DATA5	O	U11	V _{CC}	PWR	W20	MM_DQ03	I/O
N1	PCI_AD07	I/O	U12	V _{DD}	PWR	Y1	MM_DQ28	I/O
N2	PCI_AD06	I/O	U13	V _{DD}	PWR	Y2	MM_DQ29	I/O
N3	V _{DD}	PWR	U14	V _{CC}	PWR	Y3	MM_DQ31	I/O
N4	V _{DD}	PWR	U15	V _{CC}	PWR	Y4	MM_DQ22	I/O
N8	V _{SS}	GND	U16	V _{SS}	GND	Y5	MM_DQ20	I/O
N9	V _{SS}	GND	U17	V _{SS}	GND	Y6	MM_DQ17	I/O
N10	V _{SS}	GND	U18	MM_DQ04	I/O	Y7	MM_A09	O
N11	V _{SS}	GND	U19	MM_CS3#	O	Y8	MM_A07	O
N12	V _{SS}	GND	U20	MM_CS1#	O	Y9	MM_A04	O
N13	V _{SS}	GND	V1	MM_DQM2	O	Y10	MM_CLK0	O
N17	V _{DD}	PWR	V2	MM_DQ24	I/O	Y11	MM_A03	O
N18	V _{DD}	PWR	V3	MM_DQ25	I/O	Y12	MM_A01	O
N19	VO_DATA1	O	V4	MM_DQM3	O	Y13	MM_A11	O
N20	VO_DATA2	O	V5	V _{SS}	GND	Y14	MM_A13	O
P1	PCI_AD05	I/O	V6	MM_DQ19	I/O	Y15	MM_CAS#	O
P2	PCI_AD04	I/O	V7	V _{CC}	PWR	Y16	MM_DQ14	I/O
P3	V _{CC}	PWR	V8	V _{DD}	PWR	Y17	MM_DQ12	I/O
P4	V _{CC}	PWR	V9	MM_A06	O	Y18	MM_DQ10	I/O
P17	V _{CC}	PWR	V10	V _{CC}	PWR	Y19	MM_CKE0	O
P18	V _{CC}	PWR	V11	V _{CC}	PWR	Y20	MM_DQ00	I/O
P19	TESTMODE	I	V12	MM_A10	O			
P20	VO_DATA0	O	V13	V _{DD}	PWR			
R1	PCI_AD03	I/O	V14	V _{CC}	PWR			
R2	PCI_AD02	I/O	V15	MM_DQ15	I/O			
R3	PCI_AD01	I/O	V16	V _{SS}	GND			
R4	V _{CC}	PWR	V17	MM_DQ09	I/O			

Signal Definitions (Continued)

Table 2-3. Ball Assignment Sorted Alphabetically by Signal Name

Signal Name	Ball No.	Signal Name	Ball No.	Signal Name	Ball No.	Signal Name	Ball No.
AI_OSCLK	B15	MM_DQ11	W17	PCI_AD22	C3	V _{DD} (2.5V Core Power Supply, Total of 24)	C8, C13, D8, D9, D12, D13, H3, H4, H17, H18, J4, J17, M4, M17, N3, N4, N17, N18, U8, U9, U12, U13, V8, V13
AI_SCK	A16	MM_DQ12	Y17	PCI_AD23	A1	V _{DDQ}	K20
AI_SD	C15	MM_DQ13	W16	PCI_AD24	A3	VI_CLK	C20
AI_WS	B16	MM_DQ14	Y16	PCI_AD25	C4	VI_DATA0	D18
AO_OSCLK	B14	MM_DQ15	V15	PCI_AD26	B4	VI_DATA1	C19
AO_SCK	A14	MM_DQ16	W7	PCI_AD27	A4	VI_DATA2	B20
AO_SD1	B13	MM_DQ17	Y6	PCI_AD28	A5	VI_DATA3	B19
AO_SD2	A13	MM_DQ18	W6	PCI_AD29	C6	VI_DATA4	A20
AO_SD3	C12	MM_DQ19	V6	PCI_AD30	B6	VI_DATA5	A19
AO_SD4	B12	MM_DQ20	Y5	PCI_AD31	A6	VI_DATA6	C17
AO_WS	A15	MM_DQ21	W5	PCI_C/BE0#	M3	VI_DATA7	B18
BOOT_CLK	T20	MM_DQ22	Y4	PCI_C/BE1#	J3	VI_DATA8	A18
IIC_SCL	R20	MM_DQ23	W4	PCI_C/BE2#	D2	VI_DATA9	B17
IIC_SDA	R19	MM_DQ24	V2	PCI_C/BE3#	B3	VI_DVALID	A17
JTAG_TCK	F19	MM_DQ25	V3	PCI_CLK	T2	VO_CLK	J19
JTAG_TDI	F20	MM_DQ26	W1	PCI_DEVSEL#	F1	VO_DATA0	P20
JTAG_TDO	F18	MM_DQ27	W2	PCI_FRAME#	E2	VO_DATA1	N19
JTAG_TMS	E20	MM_DQ28	Y1	PCI_GNT#	B5	VO_DATA2	N20
MM_A00	W12	MM_DQ29	Y2	PCI_IDSEL	A2	VO_DATA3	M18
MM_A01	Y12	MM_DQ30	W3	PCI_INTA#	C9	VO_DATA4	M19
MM_A02	W11	MM_DQ31	Y3	PCI_INTB#	A8	VO_DATA5	M20
MM_A03	Y11	MM_DQM0	T19	PCI_INTC#	B8	VO_DATA6	K19
MM_A04	Y9	MM_DQM1	R18	PCI_INTD#	A7	VO_DATA7	J20
MM_A05	W9	MM_DQM2	V1	PCI_IRDY#	E1	VO_IO1	J18
MM_A06	V9	MM_DQM3	V4	PCI_PAR	H1	VO_IO2	H20
MM_A07	Y8	MM_RAS#	W14	PCI_PERR#	G1	VREF_PCI	F2
MM_A08	W8	MM_WE#	W15	PCI_REQ#	B7	VREF_PERIPH	C18
MM_A09	Y7	NC (Total of 8)	A9, A10, A11, B9, B10, B11, E19, D19	PCI_SERR#	H2	V _{SS} (Ground Connection, Total of 55)	C5, C16, D4, D5, D16, D17, E3, E4, E17, E18, H8, H9, H10, H11, H12, H13, J8, J9, J10, J11, J12, J13, K8, K9, K10, K11, K12, K13, L8, L9, L10, L11, L12, L13, M8, M9, M10, M11, M12, M13, N8, N9, N10, N11, N12, N13, T3, T4, T17, U4, U5, U16, U17, V5, V16,
MM_A10	V12	PCI_AD00	T1	PCI_STOP#	G2	V _{SSQ}	L19
MM_A11	Y13	PCI_AD01	R3	PCI_TRDY#	F3		
MM_A12	W13	PCI_AD02	R2	SCANCPU	D20		
MM_A13	Y14	PCI_AD03	R1	SPDO	A12		
MM_CAS#	Y15	PCI_AD04	P2	TESTMODE	P19		
MM_CKE0	Y19	PCI_AD05	P1	TRI_CLKIN	L20		
MM_CKE1	U1	PCI_AD06	N2	TRI_RESET#	G19		
MM_CLK0	Y10	PCI_AD07	N1	TRI_TIMER_CLK	H19		
MM_CLK1	W10	PCI_AD08	M2	TRI_USERIRQ	G20		
MM_CS0#	U2	PCI_AD09	M1	V _{CC} (3.3V I/O Power Supply, Total of 40)	C7, C10, C11, C14, D6, D7, D10, D11, D14, D15, F4, F17, G3, G4, G17, G18, K3, K4, K17, K18, L3, L4, L17, L18, P3, P4, P17, P18, R4, R17, U6, U7, U10, U11, U14, U15, V7, V10, V11, V14		
MM_CS1#	U20	PCI_AD10	L2				
MM_CS2#	U3	PCI_AD11	L1				
MM_CS3#	U19	PCI_AD12	K1				
MM_DQ00	Y20	PCI_AD13	K2				
MM_DQ01	V18	PCI_AD14	J1				
MM_DQ02	W19	PCI_AD15	J2				
MM_DQ03	W20	PCI_AD16	D1				
MM_DQ04	U18	PCI_AD17	D3				
MM_DQ05	V19	PCI_AD18	C1				
MM_DQ06	V20	PCI_AD19	B2				
MM_DQ07	T18	PCI_AD20	B1				
MM_DQ08	W18	PCI_AD21	C2				
MM_DQ09	V17						
MM_DQ10	Y18						

Signal Definitions (Continued)

2.2 SIGNAL DESCRIPTIONS

2.2.1 System Interface Signals

Signal Name	Ball No.	Type	Description
TRI_CLKIN	L20	I	<p>Main Input Clock. The SDRAM clock outputs (MM_CLK0 and MM_CLK1) can be set to 2x or 3x this frequency. The on-chip DSPCPU clock (DSPCPU_CLK) can be set to 1x, 5/4, 4/3, 3/2 or 2x the SDRAM clock frequency. The maximum recommended ppm level is ± 100 ppm or lower to improve jitter on generated clocks. The duty cycle should not exceed 30/70% asymmetry.</p> <p>The operating limits of the internal PLLs are:</p> <ul style="list-style-type: none"> • 27 MHz < Output of the SDRAM PLL < 200 MHz • 33 MHz < Output of the CPU PLL < 266 MHz <p>These are not the speed grades of the chips, just the PLL limits.</p>
TRI_USERIRQ	G20	I	<p>General Purpose Level/Edge Interrupt Input. Vectored interrupt source number 4.</p>
TRI_TIMER_CLK	H19	I	<p>External General Purpose Clock Source for Timers. Maximum 40 MHz.</p>
TRI_RESET#	G19	I	<p>CS1301/CS1311 RESET Input. This pin can be tied to the PCI_RST# signal in the PCI bus systems. Upon releasing RESET, CS1301/CS1311 initiates its boot protocol.</p>
VREF_PCI	F2	PWR	<p>PCI Voltage Reference. Determines the mode of operation of the PCI pins. VREF_PCI must be connected to V_{SS} (0V) for use in 3.3V PCI signaling environment, as is the case for a Geode SCx200 system.</p> <p>The supply to this pin should be AC bypassed and provide 40 mA of DC sink or source capability.</p>
VREF_PERIPH	C18	PWR	<p>Peripheral Voltage Reference. Determines the mode of operation of the I/O pins listed in Section 2.3 "Reference Voltages" on page 22.</p> <p>VREF_PERIPH must be connected to 5.0V if the designated I/O pins listed in Section 2.3 should be 5.0V input voltage capable.</p> <p>VREF_PERIPH must be connected to V_{SS} (0V) if the designated I/O pins listed in Section 2.3 are 3.3V only inputs.</p> <p>The supply to this pin should be AC bypassed and provide 40 mA of DC sink or source capability.</p>

Signal Definitions (Continued)

2.2.2 Memory Interface Signals

Signal Name	Ball No.	Type	Description
MM_CLK0	Y10	O	<p>SDRAM Output Clock (at 2x or 3x TRI_CLKIN frequency). Two identical outputs are provided to reliably drive several small memory configurations without external glue. A series terminating resistor close to CS1301/CS1311 is required to reduce ringing.</p> <p>For driving a 50Ω trace, a resistor of 27 to 33Ω is recommended. The use of higher impedance traces in the SDRAM signals is not recommended.</p>
MM_CLK1	W10		
MM_A[13:00]	See Table 2-3 on page 12	O	<p>Address Bus. Used for row and column addresses.</p> <p>WARNING: Do not connect MM_A[13:11] directly to SDRAM A[13:11] pins. Refer to Chapter 12 SDRAM Memory System of the Philips Semiconductor <i>PNX1300 Series Media Processors Data Book</i> for accurate connection diagrams.</p>
MM_DQ[31:00]	See Table 2-3 on page 12	I/O	<p>32-Bit Data I/O Bus. The Main Memory Interface module also supports a 16-bit I/O interface.</p>
MM_CKE0	Y19	O	<p>Clock Enable Output to SDRAMs. Two identical outputs are provided in order to reliably drive several small memory configurations without external glue.</p>
MM_CKE1	U1		
MM_CS0#	U2	O	<p>Chip Select for DRAM rank n; active low. The chip select pins may be used as address pins to support the 256-Mbit SDRAM device organized in x16.</p>
MM_CS1#	U20		
MM_CS2#	U3		
MM_CS3#	U19		
MM_RAS#	W14	O	Row Address Strobe; active low.
MM_CAS#	Y15	O	Column Address Strobe; active low.
MM_WE#	W15	O	Write Enable; active low.
MM_DQM0	T19	O	<p>Data Mask Enable. These are byte-enable signals for the 32-bit MM_DQ bus.</p>
MM_DQM1	R18		
MM_DQM2	V1		
MM_DQM3	V4		

Signal Definitions (Continued)

2.2.3 PCI Interface Signals

Signal Name	Ball No.	Type	Description
PCI_CLK	T2	I	PCI Clock. All PCI input signals are sampled with respect to the rising edge of this clock. All PCI outputs are generated based on this clock. This clock is required for normal operation of the PCI module.
PCI_AD[31:00]	See Table 2-3 on page 12	I/O	Multiplexed Address and Data.
PCI_C/BE0#	M3	I/O	Multiplexed Bus Commands and Byte-Enables. High for command, low for byte-enable.
PCI_C/BE1#	J3		
PCI_C/BE2#	D2		
PCI_C/BE3#	B3		
PCI_PAR	H1	I/O	Parity. Even parity across AD and C/BE# lines.
PCI_FRAME#	E2	I/O	Frame Sustained TRI-STATE. Frame is driven by a master to indicate the beginning and duration of an access.
PCI_IRDY#	E1	I/O	Initiator Ready Sustained TRI-STATE. Initiator Ready indicates that the bus master is ready to complete the current data phase.
PCI_TRDY#	F3	I/O	Target Ready Sustained TRI-STATE. Target Ready indicates that the bus target is ready to complete the current data phase.
PCI_STOP#	G2	I/O	Stop Sustained TRI-STATE. Indicates that the target is requesting that the master stop the current transaction.
PCI_IDSEL	A2	I	ID Select. Used as chip select during configuration read/write cycles.
PCI_DEVSEL#	F1	I/O	Device Select Sustained TRI-STATE. Indicates whether any device on the bus has been selected.
PCI_REQ#	B7	O	Request. Driven by the CS1301/CS1311 as a PCI bus master to request use of the PCI bus.
PCI_GNT#	B5	I	Grant. Indicates to the CS1301/CS1311 that access to the PCI bus has been granted.
PCI_PERR#	G1	I/O	Parity Error Sustained TRI-STATE. Parity error generated/received by CS1301/CS1311.
PCI_SERR#	H2	OD	System Error. This signal is asserted when operating as a target and detecting an address parity error.
PCI_INTA#	C9	I/OD	PCI Interrupts A, B, C, and D. Can operate as an input (power-up default) or output, as determined by direction control bits in PCI MMIO register INT_CTL. As an input, PCI_INT# can be used to receive PCI interrupt requests (normal PCI use is active low, level-sensitive mode, but the VIC can be set to treat these as a positive edge triggered mode). As an input, PCI_INT# can also be used as a general interrupt request if not needed for PCI. As an output, the value of a PCI_INT# can be programmed through PCI MMIO registers to generate interrupts for other PCI masters.
PCI_INTB#	A8	I/O/OD	
PCI_INTC#	B8	I/OD	
PCI_INTD#	A7	I/OD	
Note: Current buffer design allows drive/receive from either 3.3V or 5.0V PCI bus.			

Signal Definitions (Continued)

2.2.4 Video In Interface Signals

Signal Name	Ball No	Type	Description
VI_CLK	C20	I/O	<p>Clock. This signal can be configured as either an input or an output:</p> <p>If configured as an input (power-up default): A positive transition on this incoming video clock pin samples VI_DATA[09:00] if VI_DVALID is high. If VI_DVALID is low, VI_DATA[09:00] is ignored. Clock and data rates of up to 81 MHz are supported. The CS1301/CS1311 supports an additional mode where VI_DATA[09:08] in message passing mode are not affected by the VI_DVALID signal.</p> <p>If configured as an output: VI_CLK performs as a programmable output clock to drive an external video A/D converter. It can be programmed to emit integral dividers of DSPCPU_CLK.</p> <p>If used as an output, a board level 27 to 33Ω series resistor is recommended to reduce ringing.</p>
VI_DVALID	A17	I	<p>Data Valid. VI_DVALID indicates that valid data is present on VI_DATA[09:00]. If high, VI_DATA will be accepted on the next VI_CLK positive edge. If low, VI_DATA[09:00] will not be sampled. However, the CS1301/CS1311 supports an additional mode where VI_DATA[9:8] in message passing mode are not affected by the VI_DVALID signal.</p>
VI_DATA[07:00]	B18, C17, A19, A20, B19, B20, C19, D18	I	<p>Data Bus Lines [7:0]. CCIR-656 style YUV 4:2:2 data from a digital camera or general purpose high speed data input pins. Sampled on VI_CLK if VI_DVALID is high.</p>
VI_DATA[09:08]	B17, A18		<p>Data Bus Lines [9:8]. Extension high speed data input bits to allow use of 10-bit video A/D converters in raw10 modes. VI_DATA[08] serves as START and VI_DATA[09] as END message input in message passing mode. Sampled on positive transitions of VI_CLK if VI_DVALID is high. The CS1301/CS1311 supports an additional mode where VI_DATA[09:08] in message passing mode are not affected by the VI_DVALID signal.</p>
<p>Note: Video In and Audio In are supported by third party software solutions, not by the National solution.</p>			

Signal Definitions (Continued)

2.2.5 Video Out Interface Signals

Signal Name	Ball No.	Type	Description
VO_CLK	J19	I/O	<p>Clock. The VO module emits VO_DATA[07:00] on a positive edge of VO_CLK. VO_CLK can be configured as an input (reset default) or output.</p> <p>If configured as an input: VO_CLK is received from external display clock master circuitry.</p> <p>If configured as an output: The CS1301/CS1311 emits a programmable clock frequency. The emitted frequency can be set between approximately 4 and 81 MHz with a sub-Hertz resolution. The clock generated is frequency accurate and has low jitter properties due to a combination of an on-chip DDS (Direct Digital Synthesizer) and VCO/PLL.</p> <p>If used as an output, a board level 27 to 33Ω series resistor is recommended to reduce ringing.</p>
VO_IO1	J18	I/O	<p>Input/Output 1. This pin can function as HS (Horizontal Sync) output or as STMSG (Start Message) output.</p> <p>If set as HS output: VO_IO1 outputs the HS output signal.</p> <p>In message passing mode, VO_IO1 acts as the STMSG output signal.</p>
VO_IO2	H20	I/O	<p>Input/Output 2. This pin can function as FS (Frame Sync) input, FS output or as ENDMSG (End Message) output.</p> <p>If set as FS input, it can be set to respond to positive or negative edge transitions.</p> <p>If the VO module operates in external sync mode and the selected transition occurs, the VO module sends two fields of video data. Note: this works only once after a reset.</p> <p>In message passing mode, this pin acts as ENDMSG output signal.</p>
VO_DATA[07:00]	K20, K12, M20, M19, M18, N20, N19, P20	O	<p>Data Bus. CCIR-656 style YUV 4:2:2 digital output data, or general purpose high-speed data output channel. Output changes on positive edge of VO_CLK.</p>

Signal Definitions (Continued)

2.2.6 Audio In Interface Signals

Signal Name	Ball No.	Type	Description
AI_OSCLK	B15	O	Over-Sampling Clock. This output can be programmed to emit any frequency up to 40 MHz with a sub-Hertz resolution. It is intended for use as the $256f_s$ or $384f_s$ over-sampling clock by external A/D subsystem. A board level 27 to 33Ω series resistor is recommended to reduce ringing.
AI_SCK	A16	I/O	Serial Clock. When the AI module is programmed as a serial-interface timing slave (power-up default), AI_SCK is an input. AI_SCK receives the serial bit clock from the external A/D subsystem. This clock is treated as fully asynchronous to the CS1301/CS1311 main clock. When the AI module is programmed as the serial-interface timing master, AI_SCK is an output. AI_SCK drives the serial clock for the external A/D subsystem. The frequency is a programmable integral divisor of the AI_OSCLK frequency. AI_SCK is limited to 22 MHz. The sample rate of valid samples embedded within the serial stream is variable. If used as an output, a board level 27 to 33Ω series resistor is recommended to reduce ringing.
AI_SD	C15	I	Serial Data. Serial data from external A/D subsystem. Data on this pin is sampled on positive or negative edges of AI_SCK as determined by the CLOCK_EDGE bit in the AI_SERIAL register.
AI_WS	B16	I/O	Word-Select. AI_WS is the word-select or frame-synchronization signal from/to the external A/D subsystem. When the AI module is programmed as the serial-interface timing slave (power-up default), AI_WS acts as an input. AI_WS is sampled on the same edge as selected for AI_SD. When the AI module is programmed as the serial-interface timing master, AI_WS acts as an output. It is asserted on the opposite edge of the AI_SD sampling edge.
Note: The AI module always acts as receiver, but can be master or slave for A/D timing. Video In and Audio In are supported by third party software solutions, not by the National solution.			

Signal Definitions (Continued)

2.2.7 Audio Out Interface Signals

Signal Name	Ball No.	Type	Description
AO_OSCLK	B14	O	Over-Sampling Clock. This output can be programmed to emit any frequency up to 40 MHz, with a sub-Hertz resolution. It is intended for use as the 256 or 384 f_s over-sampling clock by the external D/A conversion subsystem. A board-level 27 to 33 Ω series resistor is recommended to reduce ringing.
AO_SCK	A14	I/O	Serial Clock. When the Audio Out (AO) module is programmed to act as the serial interface timing slave (power-up default), AO_SCK acts as an input. It receives the Serial Clock from the external audio D/A subsystem. The clock is treated as fully asynchronous to the CS1301/CS1311 main clock. When the AO module is programmed to act as the serial interface timing master, AO_SCK acts as an output. It drives the serial clock for the external audio D/A subsystem. The clock frequency is a programmable integral divisor of the AO_OSCLK frequency. AO_SCK is limited to 22 MHz. The sample rate of valid samples embedded within the serial stream is variable. If used as an output, a board-level 27 to 33 Ω series resistor is recommended to reduce ringing.
AO_SD1	B13	O	Serial Data Buses. Serial data to external stereo audio D/A subsystem. The timing of transitions on this output is determined by the CLOCK_EDGE bit in the AO_SERIAL register, and can be on positive or negative AO_SCK edges.
AO_SD2	A13		
AO_SD3	C12		
AO_SD4	B12		
AO_WS	A15	I/O	Word-Select or Frame synchronization. Signal from/to the external D/A subsystem. Each audio channel receives 1 sample for every WS period. When the AO module is programmed as the serial interface timing slave (power-up default), AO_WS acts as an input. AO_WS is sampled on the opposite AO_SCK edge from which AO_SDx are asserted. When the AO module is programmed as serial interface timing master, AO_WS acts as an output. AO_WS is asserted on the same AO_SCK edge as AO_SDx.
Note: The AO module always acts as sender, but can be master or slave for D/A timing.			

2.2.8 S/PDIF Interface Signals

Signal Name	Ball No.	Type	Description
SPDO	A12	O	S/PDIF Data Out. Self-clocking serial data stream as per IEC958, with 1937 extensions. Note that the low impedance output buffer requires a 27 to 33 Ω series terminator close to CS1301/CS1311 in order to match the board trace impedance. This series terminator must be part of the voltage divider needed to create the coaxial output through the AC isolation transformer.

Signal Definitions (Continued)

2.2.9 ACCESS.bus Interface Signals

Signal Name	Ball No.	Type	Description
IIC_SDA	R19	I/OD	ACCESS.bus Serial Data.
IIC_SCL	R20	I/OD	ACCESS.bus Serial Clock.

2.2.10 JTAG Interface Signals

Signal Name	Ball No.	Type	Description
JTAG_TDI	F20	I	JTAG Test Data Input.
JTAG_TDO	F18	I/O	JTAG Test Data Output. This pin can either drive active low, high or float.
JTAG_TCK	F19	I	JTAG Test Clock Input.
JTAG_TMS	E20	I	JTAG Test Mode Select Input.

2.2.11 Test and Measurement Interface Signals

Signal Name	Ball No.	Type	Description
BOOT_CLK	T20	I	Boot Clock. Used for testing purposes. Must be connected to TRI_CLKIN for normal operation.
TESTMODE	P19	I	Test Mode. Used for testing purposes. Must be connected to V_{SS} for normal operation.
SCANCPU	D20	I	Scan CPU. Used for testing purposes. Must be connected to V_{SS} for normal operation.

Signal Definitions (Continued)**2.2.12 Power, Ground, and No Connections**

Signal Name	Ball No.	Type	Description
V _{DDQ}	K20	PWR	Quiet V_{DD} for the PLL Subsystem. Should be supplied from V _{DD} through a low-Q series inductor. It should be bypassed for AC to V _{SSQ} , using a dual capacitor bypass (high and low frequency AC bypass).
V _{SSQ}	L19	GND	Quiet V_{SS} for the PLL Subsystem. Should be AC bypassed to V _{DDQ} , otherwise left DC floating. It is connected on-chip to V _{SS} . No external coil or other connection to board ground is needed; such a connection would create a ground loop.
V _{DD}	See Table 2-3 on page 12	PWR	2.5V CS1301 Core Power Connection (Total of 24).
			2.2V CS1311 Core Power Connection (Total of 24).
V _{CC}	See Table 2-3 on page 12	PWR	3.3V I/O Power Connection (Total of 24).
V _{SS}	See Table 2-3 on page 12	GND	Ground Connection (Total of 50).
NC	A9, A10, A11, B9, B10, B11, E19, D19	---	No Connection. For normal operation, leave unconnected.

Signal Definitions (Continued)

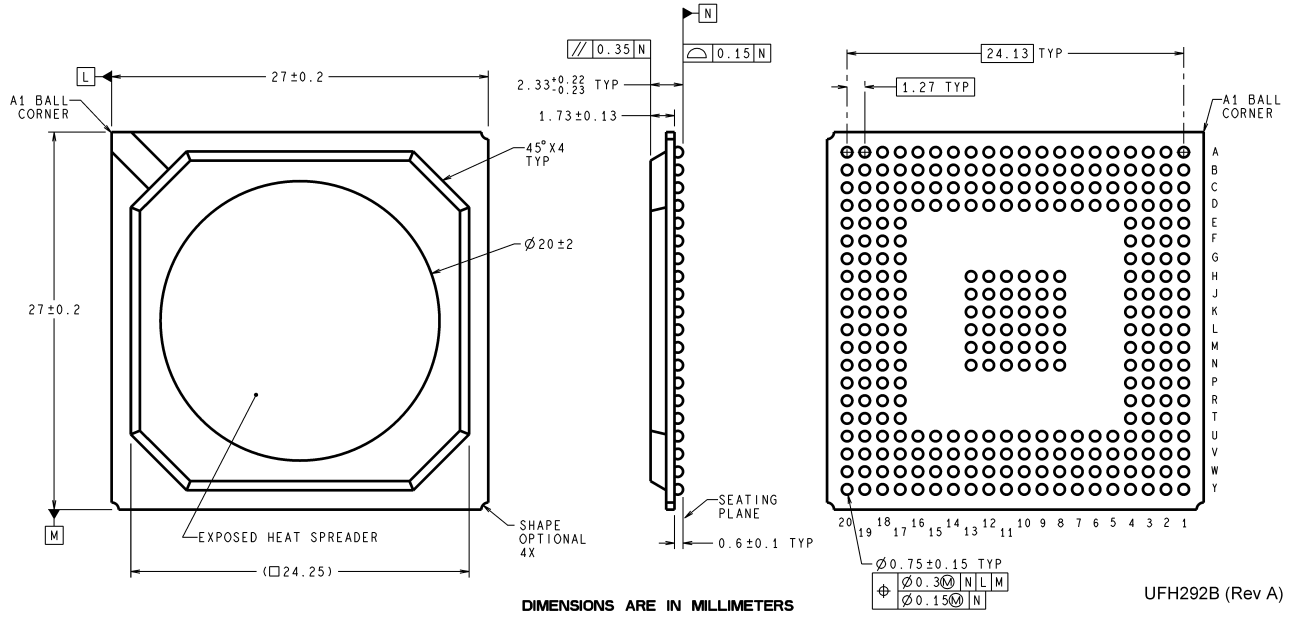
2.3 REFERENCE VOLTAGES

Outputs always drive to a level determined by the 3.3V I/O voltage, with the exception of Open Drain mode outputs.

VREF_PERIPH and VREF_PCI determine input voltage clamping, not input signal thresholds or output levels.

VREF_PCI Determined Mode		VREF_PERIPH Determined Mode	SDRAM Interface (3.3V Mode)		Inputs (3.3V Mode)	Output Only Pins
PCI_AD00	PCI_AD27	TRI_USERIRQ	MM_CLK0	MM_DQM2	TRI_CLKIN	VO_DATA0
PCI_AD01	PCI_AD28	TRI_TIMER_CLK	MM_CLK1	MM_DQM3	BOOT_CLK	VO_DATA1
PCI_AD02	PCI_AD29	JTAG_TDI	MM_A00	MM_DQ13	TESTMODE	VO_DATA2
PCI_AD03	PCI_AD30	JTAG_TDO	MM_A01	MM_DQ14	SCANCPU	VO_DATA3
PCI_AD04	PCI_AD31	JTAG_TCK	MM_A02	MM_DQ15		VO_DATA4
PCI_AD05	PCI_CLK	JTAG_TMS	MM_A03	MM_DQ16		VO_DATA5
PCI_AD06	PCI_C/BE#0	VI_CKL	MM_A04	MM_DQ17		VO_DATA6
PCI_AD07	PCI_C/BE#1	VI_DVALID	MM_A05	MM_DQ18		VO_DATA7
PCI_AD08	PCI_C/BE#2	VI_DATA0	MM_A06	MM_DQ19		AO_OSCLK
PCI_AD09	PCI_C/BE#3	VI_DATA1	MM_A07	MM_DQ20		AO_SCK
PCI_AD10	PCI_PAR	VI_DATA2	MM_A08	MM_DQ21		AO_SD1
PCI_AD11	PCI_FRAME#	VI_DATA3	MM_A09	MM_DQ22		AO_SD2
PCI_AD12	PCI_IRDY#	VI_DATA4	MM_A10	MM_DQ23		AO_SD3
PCI_AD13	PCI_TRDY#	VI_DATA5	MM_A11	MM_DQ24		AO_SD4
PCI_AD14	PCI_STOP#	VI_DATA6	MM_A12	MM_DQ25		SPDO
PCI_AD15	PCI_IDSEL	VI_DATA7	MM_A13	MM_DQ26		
PCI_AD16	PCI_DEVSEL#	VI_DATA8	MM_DQ00	MM_DQ27		
PCI_AD17	PCI_REQ#	VI_DATA9	MM_DQ01	MM_DQ28		
PCI_AD18	PCI_GNT#	IIC_SDA	MM_DQ02	MM_DQ29		
PCI_AD19	PCI_PERR#	IIC_SCL	MM_DQ03	MM_DQ30		
PCI_AD20	PCI_SERR#	VO_IO1	MM_DQ04	MM_DQ31		
PCI_AD21	PCI_INTA#	VO_IO2	MM_DQ05	MM_CKE0		
PCI_AD22	PCI_INTB#	VO_CLK	MM_DQ06	MM_CKE1		
PCI_AD23	PCI_INTC#	AI_SCK	MM_DQ07	MM_CS0#		
PCI_AD24	PCI_INTD#	AI_SD	MM_DQ08	MM_CS1#		
PCI_AD25	TRI_RESET#	AI_WS	MM_DQ09	MM_CS2#		
PCI_AD26		AO_SCK	MM_DQ10	MM_CS3#		
		AO_WS	MM_DQ11	MM_RAS#		
			MM_DQ12	MM_CAS#		
			MM_DQM0	MM_WE#		
			MM_DQM1			

3.0 Package Specifications



NOTES: UNLESS OTHERWISE SPECIFIED.

- 1) SOLDER BALL COMPOSITION: SN 63%, PB 37%.
- 2) DIMENSION IS MEASURED AT THE MAXIMUM SOLDER BALL DIAMETER, PARALLEL TO PRIMARY DATUM N.
- 3) THE MOLD SURFACE AREA MAY INCLUDE DIMPLE FOR A1 BALL CORNER IDENTIFICATION.
- 4) REFERENCE JEDEC REGISTRATION MS-034, VARIATION BAL-1.

Figure 3-1. 292-Terminal TEPBGA (Body Size: 27x27x2.33 mm; Pitch: 1.27 mm)

Appendix A Support Documentation

A.1 ORDERING INFORMATION

Order Number (NSID)	Part Marking	Core Frequency (MHz)	Core Voltage (V)	Temperature (Degree C)	Package
CS1301	CS1301	180	2.5	0 - 85	TEPBGA
CS1311	CS1311	166	2.2	0 - 85	TEPBGA

Note: Due to licensing agreements, the CS1301/CS1311 can only be purchased by those customers using a Geode processor-based design.

A.2 CUSTOMER SUPPORT

National is the primary contact for all technical support issues. For certain software modules listed, National does not have access to source code. For these software modules, National will work directly with intellectual property owners of these software modules to provide customer support.

A.3 PRODUCT BRIEF REVISION HISTORY

This section is a report of the revision/creation process of the product brief for the Geode CS1301/CS1311. Any revisions (i.e., additions, deletions, parameter corrections, etc.) are recorded in the table below.

Note: This product brief must be used in conjunction with the Philips Semiconductor *PNX1300 Series Media Processors Data Book* for a complete understanding of the CS1301/CS1311 (posted on National's IA Developer's web site).

Table A-1. Revision History

Revision # (PDF Date)	Revisions / Comments
1.0 (November 2001)	First draft of product brief. (Confidential)
2.0 (April 2002)	Updated to include a list of supported software and software block diagram. (Confidential)
2.1 (July 2002)	Updated to include Signal Definitions and Package Specifications sections. (No longer confidential, to be posted on National external web site in the product folders.)
2.2 (August 2002)	Replaced "Product Brief" with "Preliminary". Updated package specifications to use National supplied drawing and changed HBGA to TEPBGA. (These changes were made to meet Corporate standard requirements, revision 2.1 was never posted on National external web site.)

LIFE SUPPORT POLICY

NATIONAL'S PRODUCTS ARE NOT AUTHORIZED FOR USE AS CRITICAL COMPONENTS IN LIFE SUPPORT DEVICES OR SYSTEMS WITHOUT THE EXPRESS WRITTEN APPROVAL OF THE PRESIDENT AND GENERAL COUNSEL OF NATIONAL SEMICONDUCTOR CORPORATION. As used herein:

1. Life support devices or systems are devices or systems which, (a) are intended for surgical implant into the body, or (b) support or sustain life, and whose failure to perform when properly used in accordance with instructions for use provided in the labeling, can be reasonably expected to result in a significant injury to the user.
2. A critical component is any component of a life support device or system whose failure to perform can be reasonably expected to cause the failure of the life support device or system, or to affect its safety or effectiveness.



National Semiconductor Corporation Americas
 Email: new.feedback@nsc.com

National Semiconductor Europe
 Fax: +49 (0) 180-530 85 86
 Email: europe.support@nsc.com
 Deutsch Tel: +49 (0) 69 9508 6208
 English Tel: +44 (0) 870 24 0 2171
 Français Tel: +33 (0) 1 41 91 87 90

National Semiconductor Asia Pacific Customer Response Group
 Tel: 65-2544466
 Fax: 65-2504466
 Email: ap.support@nsc.com

National Semiconductor Japan Ltd.
 Tel: 81-3-5639-7560
 Fax: 81-3-5639-7507
 Email: nsj.crc@jksmtp.nsc.com

www.national.com