



CY7C331

Asynchronous Registered EPLD

Features

- Twelve I/O macrocells each having:
 - One state flip-flop with an XOR sum-of-products input
 - One feedback flip-flop with input coming from the I/O pin
 - Independent (product term) set, reset, and clock inputs on all registers
 - Asynchronous bypass capability on all registers under product term control ($r = s = 1$)
 - Global or local output enable on three-state I/O
 - Feedback from either register to the array
- 192 product terms with variable distribution to macrocells
- 13 inputs, 12 feedback I/O pins, plus 6 shared I/O macrocell feedbacks for a total of 31 true and complementary inputs
- High speed: 20 ns maximum t_{PD}
- Security bit
- Space-saving 28-pin slim-line DIP package; also available in 28-pin PLCC

- Low power
 - 90 mA typical I_{CC} quiescent
 - 180 mA I_{CC} maximum
 - UV-erasable and reprogrammable
 - Programming and operation 100% testable

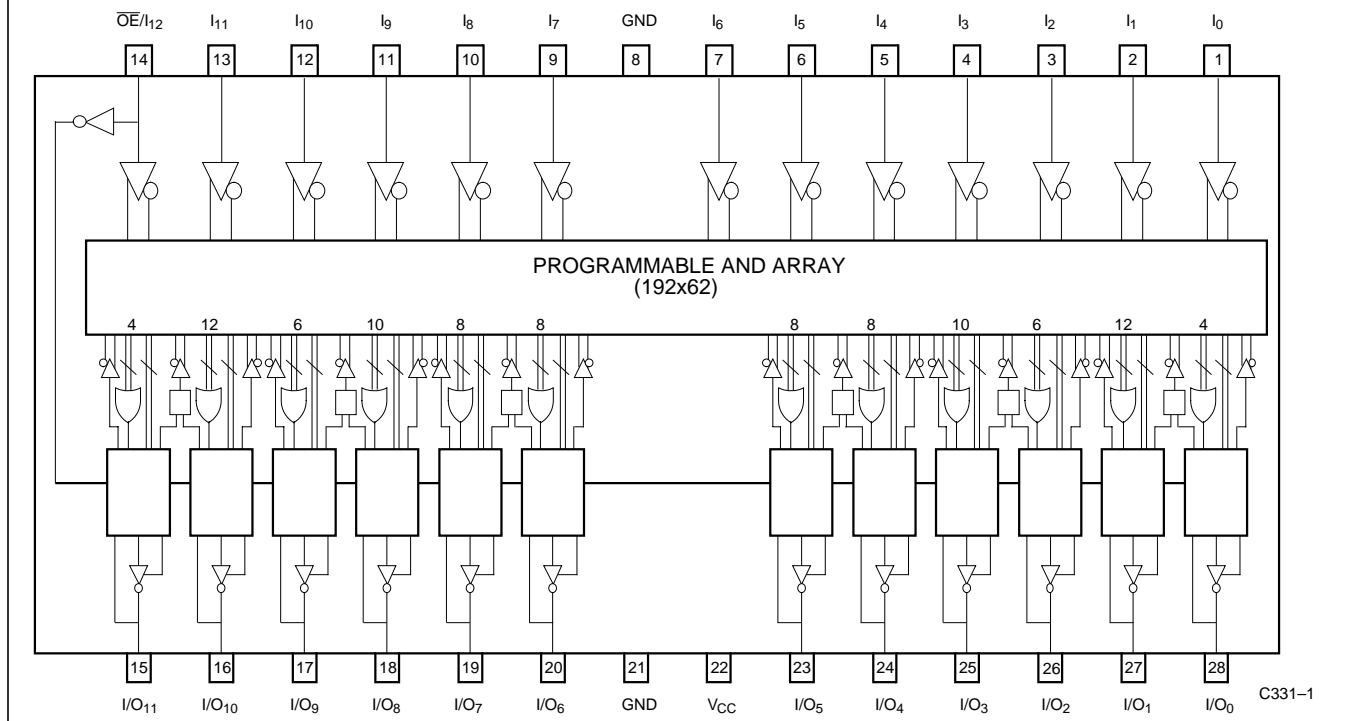
Functional Description

The CY7C331 is the most versatile PLD available for asynchronous designs. Central resources include twelve full D-type flip-flops with separate set, reset, and clock capability. For increased utility, XOR gates are provided at the D-inputs and the product term allocation per flip-flop is variably distributed.

I/O Resources

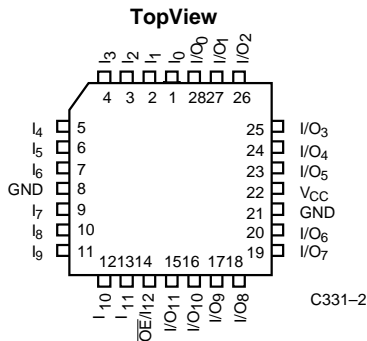
Pins 1 through 7 and 9 through 14 serve as array inputs; pin 14 may also be used as a global output enable for the I/O macrocell three-state outputs. Pins 15 through 20 and 23 through 28 are connected to I/O macrocells and may be managed as inputs or outputs depending on the configuration and the macrocell OE terms.

Logic Block Diagram



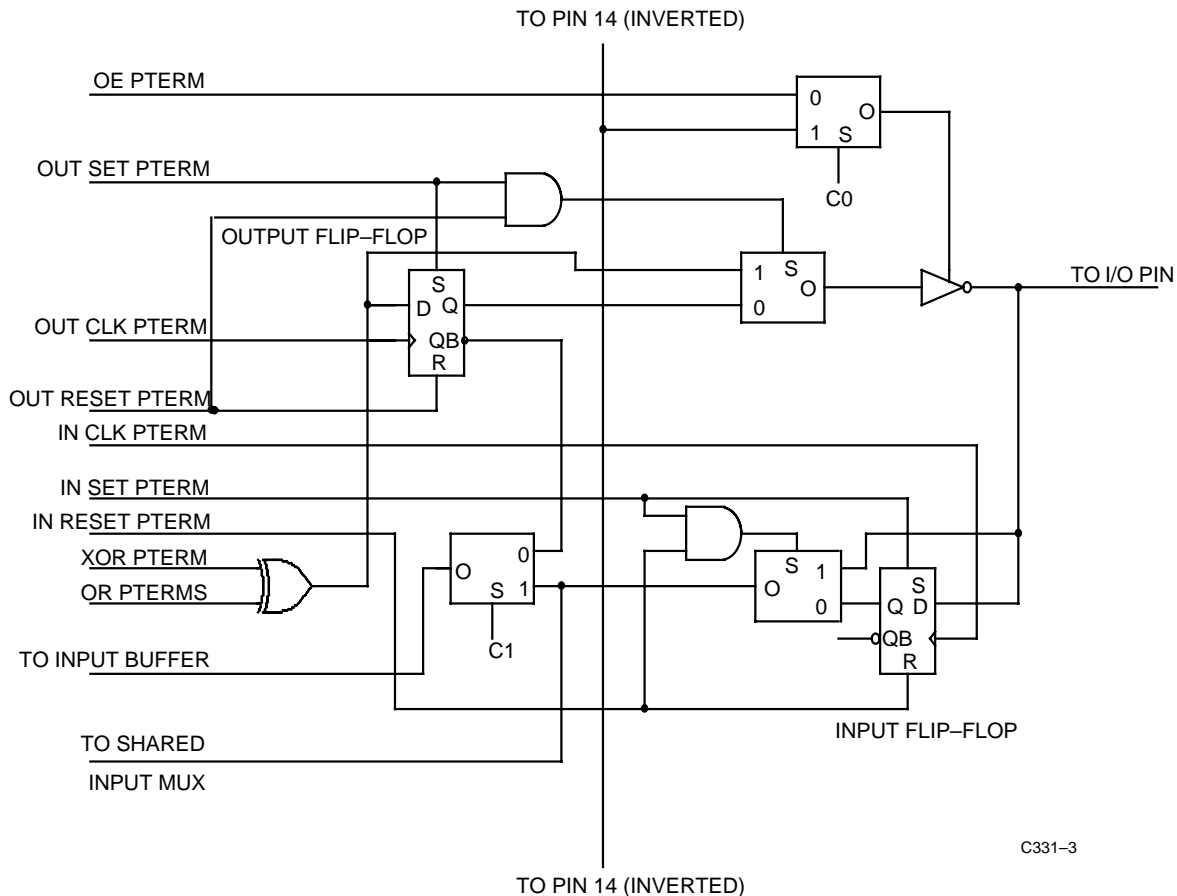
Selection Guide

Generic Part Number	I _{CC1} (mA)		t _{PD} (ns)		t _S (ns)		t _{CO} (ns)	
	Com'l	Mil	Com'l	Mil	Com'l	Mil	Com'l	Mil
CY7C331-20	130		20		12		20	
CY7C331-25	120	160	25	25	12	15	25	25
CY7C331-30		150		30		15		30
CY7C331-40		150		40		20		40

Pin Configuration

I/O Resources (continued)

It should be noted that there are two ground connections (pins 8 and 21) which, together with V_{CC} (pin 22) are located centrally on the package. The reason for this placement and dual-ground structure is to minimize the ground-loop noise when the outputs are driving simultaneously into a heavy capacitive load.

The CY7C331 has twelve I/O macrocells (see *Figure 1*). Each macrocell has two D-type flip-flops. One is fed from the array, and one from the I/O pin. For each flip-flop there are three dedicated product terms driving the R, S, and clock inputs, respectively. Each macrocell has one input to the array and for each pair of macrocells there is one shared input to the array. The macrocell input to the array may be configured to come from the 'Q' output of either flip-flop.


Figure 1. I/O Macrocell

I/O Resources (continued)

The D-type flip-flop that is fed from the array (i.e., the state flip-flop) has a logical XOR function on its input that combines a single product term with a sum(OR) of a number of product terms. The single product term is used to set the polarity of the output or to implement toggling (by including the current output in the product term).

The R and S inputs to the flip-flops override the current setting of the 'Q' output. The S input sets 'Q' true and the R input resets 'Q' (sets it false). If both R and S are asserted (true) at once, then the output will follow the input ('Q' = 'D') (see *Table 1*).

Table 1. RS Truth Table

R	S	Q
1	0	0
0	1	1
1	1	D

Shared Input Multiplexer

The input associated with each pair of macrocells may be configured by the shared input multiplexer to come from either macrocell; the 'Q' output of the flip-flop coming from the I/O pin is used as the input signal source (see *Figure 2*).

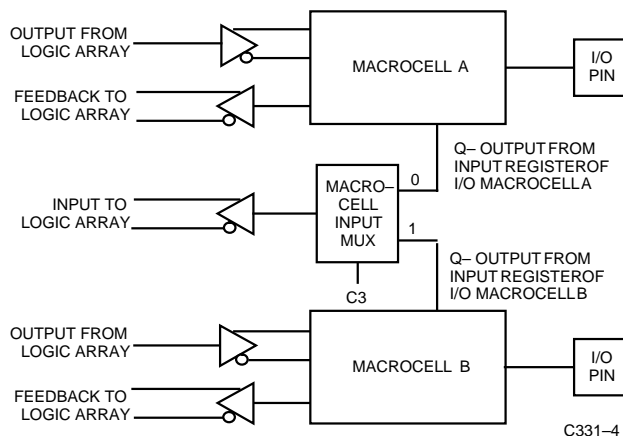
Product Term Distribution

The product terms are distributed to the macrocells such that 32 product terms are distributed between two adjacent macrocells.

The pairing of macrocells is the same as it is for the shared inputs. Eight of the product terms are used in each macrocell for set, reset, clock, output enable, and the upper part of the XOR gate. This leaves 16 product terms per pair of macrocells to be divided between the sum-of-products inputs to the two state registers. The following table shows the I/O pin pairing for shared inputs, and the product term (PT) allocation to macrocells associated with the I/O pins (see *Table 2*).

Table 2. Product Term Distribution

Macrocell	Pin Number	Product Terms
0	28	4
1	27	12
2	26	6
3	25	10
4	24	8
5	23	8
6	20	8
7	19	8
8	18	10
9	17	6
10	16	12
11	15	4


Figure 2. Shared Input Multiplexer

The CY7C331 is configured by three arrays of configuration bits (C0, C1, C2). For each macrocell, there is one C0 bit and one C1 bit. For each pair of macrocells there is one C2 bit.

There are twelve C0 bits, one for each macrocell. If C0 is programmed for a macrocell, then the three-state enable (OE) will be controlled by pin 14 (the global OE). If C0 is not programmed, then the OE product term for that macrocell will be used.

There are twelve C1 bits, one for each macrocell. The C1 bit selects inputs for the product term (PT) array from either the state register (if the bit is unprogrammed) or the input register (if the bit is programmed).

There are six C2 bits, providing one C2 bit for each pair of macrocells. The C2 bit controls the shared input multiplexer; if the C2 bit is not programmed, then the input to the product term array comes from the upper macrocell (A). If the C2 bit is programmed, then the input comes from the lower macrocell (B).

The timing diagrams for the CY7C331 cover state register, input register, and various combinational delays. Since internal clocks are the outputs of product terms, all timing is from the transition of the inputs causing the clock transition.

Maximum Ratings

(Above which the useful life may be impaired. For user guidelines, not tested.)

Storage Temperature	-65°C to +150°C
Ambient Temperature with Power Applied	-55°C to +125°C
Supply Voltage to Ground Potential (Pin 28 to Pin 8 or 21)	-0.5V to +7.0V
DC Input Voltage	-3.0V to +7.0V
Output Current into Outputs (LOW)	12 mA

Static Discharge Voltage.....	>1500V (per MIL-STD-883, Method 3015)
Latch-Up Current	>200 mA
DC Programming Voltage	13.0 V

Operating Range

Range	Ambient Temperature	V _{CC}
Commercial	0°C to +70°C	5V ± 10%
Military ^[1]	-55°C to +125°C	5V ± 10%

Electrical Characteristics Over the Operating Range^[2]

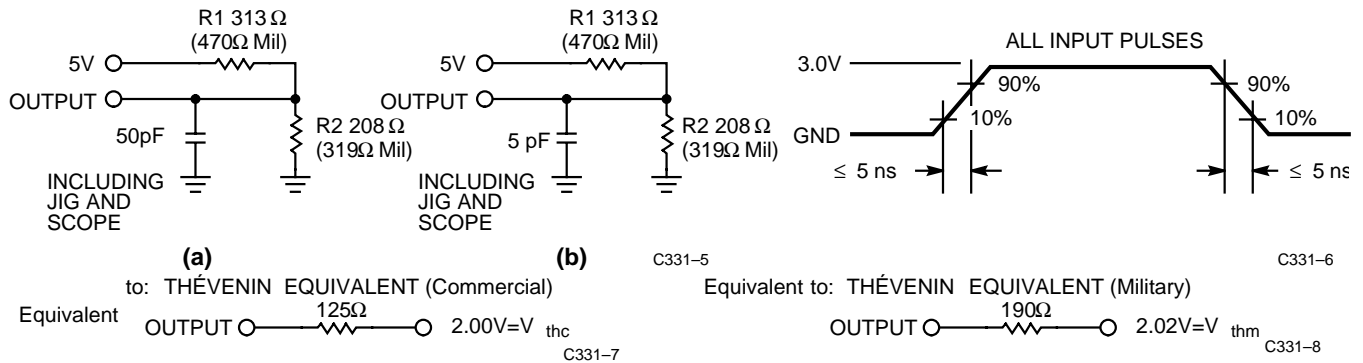
Parameter	Description	Test Conditions	Min.	Max.	Unit	
V _{OH}	Output HIGH Voltage	V _{CC} = Min., V _{IN} = V _{IH} or V _{IL} I _{OH} = -3.2 mA (Com'l), I _{OH} = -2 mA (Mil)	2.4		V	
V _{OL}	Output LOW Voltage	V _{CC} = Min., V _{IN} = V _{IH} or V _{IL} I _{OL} = 12 mA (Com'l), I _{OL} = 8 mA (Mil)		0.5	V	
V _{IH}	Input HIGH Voltage	Guaranteed HIGH Input, all Inputs ^[3]	2.2		V	
V _{IL}	Input LOW Voltage	Guaranteed LOW Input, all Inputs ^[3]		0.8	V	
I _{IX}	Input Leakage Current	V _{SS} < V _{IN} < V _{CC} , V _{CC} = Max.	-10	+10	μA	
I _{OZ}	Output Leakage Current	V _{SS} < V _{OUT} < V _{CC} , V _{CC} = Max.	-40	+40	μA	
I _{SC}	Output Short Circuit Current ^[4]	V _{CC} = Max., V _{OUT} = 0.5V ^[5]	-30	-90	mA	
I _{CC1}	Standby Power Supply Current	V _{CC} = Max., V _{IN} = GND, Outputs Open	Com'l -20		130	mA
			Com'l -25		120	
			Mil -25		160	mA
			Mil -30, -40		150	
I _{CC2}	Power Supply Current at Frequency ^[4, 6]	V _{CC} = Max., Outputs Disabled (in High Z State) Device Operating at f _{MAX} External (f _{MAX1})	Com'l		180	mA
			Mil		200	

Capacitance^[4]

Parameter	Description	Test Conditions	Max.	Unit
C _{IN}	Input Capacitance	V _{IN} = 2.0V at f = 1 MHz	10	pF
C _{OUT}	Output Capacitance	V _{OUT} = 2.0V at f = 1 MHz	10	pF

Notes:

- T_A is the "instant on" case temperature.
- See the last page of this specification for Group A subgroup testing information.
- These are absolute values with respect to device ground and all overshoots due to system or tester noise are included.
- Tested initially and after any design or process changes that may affect these parameters.
- Not more than one output should be tested at a time. Duration of the short circuit should not be more than one second. V_{OUT} = 0.5V has been chosen to avoid test problems caused by tester ground degradation.
- Because these input signals are controlled by product terms, active input polarity may be of either polarity. Internal active input polarity has been shown for clarity.

AC Test Loads and Waveforms


Parameter	V_X	Output Waveform—Measurement Level
$t_{\text{PXZ}(-)}$	1.5V	C331-9
$t_{\text{PXZ}(+)}$	2.6V	C331-10
$t_{\text{PZX}(+)}$	V_{thc}	C331-11
$t_{\text{PZX}(-)}$	V_{thc}	C331-12
$t_{\text{ER}(-)}$	1.5V	C331-13
$t_{\text{ER}(+)}$	2.6V	C331-14
$t_{\text{EA}(+)}$	V_{thc}	C331-15
$t_{\text{EA}(-)}$	V_{thc}	C331-16

(c) Test Waveforms and Measurement Levels
Switching Characteristics Over the Operating Range^[2]

Parameter	Description	Commercial				Unit
		-20		-25		
		Min.	Max.	Min.	Max.	
t_{PD}	Input to Output Propagation Delay ^[7]		20		25	ns
t_{ICO}	Input Register Clock to Output Delay ^[8]		35		40	ns
t_{IOH}	Output Data Stable Time from Input Clock ^[8]	5		5		ns
t_{IS}	Input or Feedback Set-Up Time to Input Register Clock ^[8]	2		2		ns
t_{IH}	Input Register Hold Time from Input Clock ^[8]	11		13		ns
t_{IAR}	Input to Input Register Asynchronous Reset Delay ^[8]		35		40	ns

Switching Characteristics Over the Operating Range^[2] (continued)

Parameter	Description	Commercial				Unit
		-20		-25		
		Min.	Max.	Min.	Max.	
t_{IRW}	Input Register Reset Width ^[4, 8]	35		40		ns
t_{IRR}	Input Register Reset Recovery Time ^[4, 8]	35		40		ns
t_{IAS}	Input to Input Register Asynchronous Set Delay ^[8]		35		40	ns
t_{ISW}	Input Register Set Width ^[4, 8]	35		40		ns
t_{ISR}	Input Register Set Recovery Time ^[4, 8]	35		40		ns
t_{WH}	Input and Output Clock Width HIGH ^[8, 9, 10]	12		15		ns
t_{WL}	Input and Output Clock Width LOW ^[8, 9, 10]	12		15		ns
f_{MAX1}	Maximum Frequency with Feedback in Input Registered Mode ($1/(t_{ICO} + t_{IS})$) ^[11]	27.0		23.8		MHz
f_{MAX2}	Maximum Frequency Data Path in Input Registered Mode (Lowest of $1/t_{ICO}$, $1/(t_{WH} + t_{WL})$, or $1/(t_{IS} + t_{IH})$) ^[8]	28.5		25.0		MHz
$t_{OH} - t_{IH33X}$	Output Data Stable from Input Clock Minus Input Register Input Hold Time for 7C335 ^[12, 13]	0		0		ns
t_{CO}	Output Register Clock to Output Delay ^[9]		20		25	ns
t_{OH}	Output Data Stable Time from Output Clock ^[9]	3		3		ns
t_S	Output Register Input Set-Up Time to Output Clock ^[9]	12		12		ns
t_H	Output Register Input Hold Time from Output Clock ^[9]	8		8		ns
t_{OAR}	Input to Output Register Asynchronous Reset Delay ^[9]		20		25	ns
t_{ORW}	Output Register Reset Width ^[9]	20		25		ns
t_{ORR}	Output Register Reset Recovery Time ^[9]	20		25		ns
t_{OAS}	Input to Output Register Asynchronous Set Delay ^[9]		20		25	ns
t_{OSW}	Output Register Set Width ^[9]	20		25		ns
t_{OSR}	Output Register Set Recovery Time ^[9]	20		25		ns
t_{EA}	Input to Output Enable Delay ^[14, 15]		25		25	ns
t_{ER}	Input to Output Disable Delay ^[14, 15]		25		25	ns
t_{PZX}	Pin 14 to Output Enable Delay ^[14, 15]		20		20	ns
t_{PXZ}	Pin 14 to Output Disable Delay ^[14, 15]		20		20	ns
f_{MAX3}	Maximum Frequency with Feedback in Output Registered Mode ($1/(t_{CO} + t_S)$) ^[16, 17]	31.2		27.0		MHz
f_{MAX4}	Maximum Frequency Data Path in Output Registered Mode (Lowest of $1/t_{CO}$, $1/(t_{WH} + t_{WL})$, or $1/(t_S + t_H)$) ^[9]	41.6		33.3		MHz
$t_{OH} - t_{IH33X}$	Output Data Stable from Output Clock Minus Input Register Input Hold Time for 7C335 ^[13, 18]	0		0		ns
f_{MAX5}	Maximum Frequency Pipelined Mode ^[10, 17]	35.0		30.0		MHz

Notes:

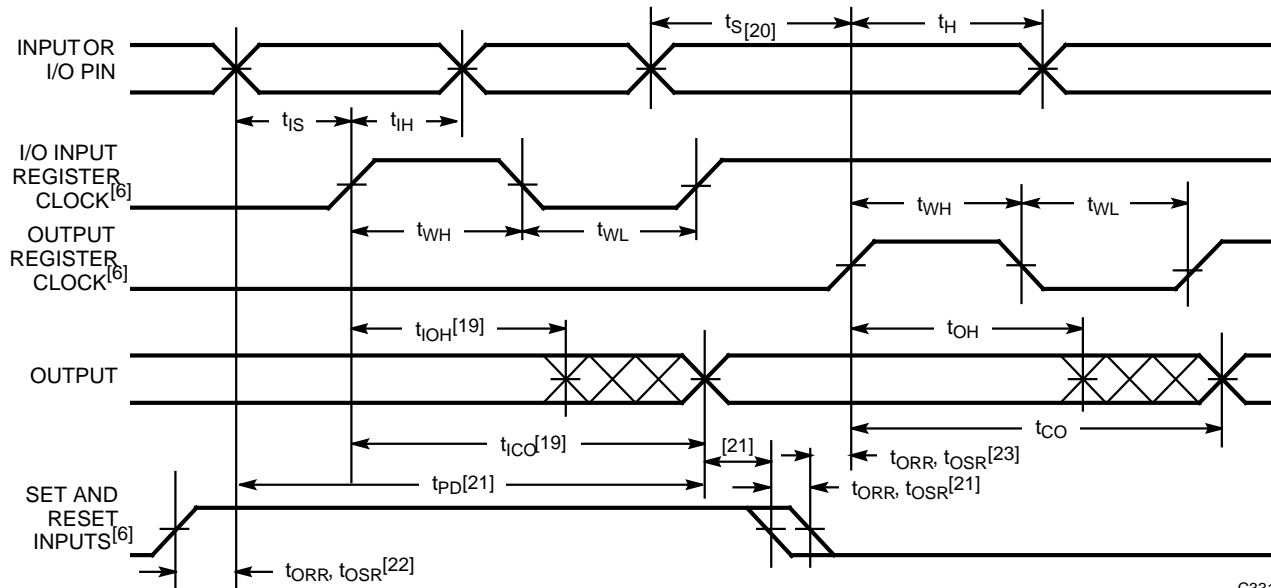
7. Refer to *Figure 3*, configuration 1.
8. Refer to *Figure 3*, configuration 2.
9. Refer to *Figure 3*, configuration 3.
10. Refer to *Figure 3*, configuration 6.
11. Refer to *Figure 3*, configuration 7.
12. Refer to *Figure 3*, configuration 9.
13. This specification is intended to guarantee interface compatibility of the other members of the CY7C330 family with the CY7C331. This specification is met for the devices noted operating at the same ambient temperature and at the same power supply voltage. These parameters are tested periodically by sampling of production product.
14. Part (a) of AC Test Loads and Waveforms used for all parameters except t_{PZX1} , t_{PXZ1} , t_{PZX} , and t_{PXZ} , which use part (b). Part (c) shows the test waveforms and measurement levels.
15. Refer to *Figure 3*, configuration 4.
16. Refer to *Figure 3*, configuration 8.
17. This specification is intended to guarantee that a state machine configuration created with internal or external feedback can be operated with output register and input register clocks controlled by the same source. These parameters are tested by periodic sampling of production product.

Switching Characteristics Over the Operating Range^[2] (continued)

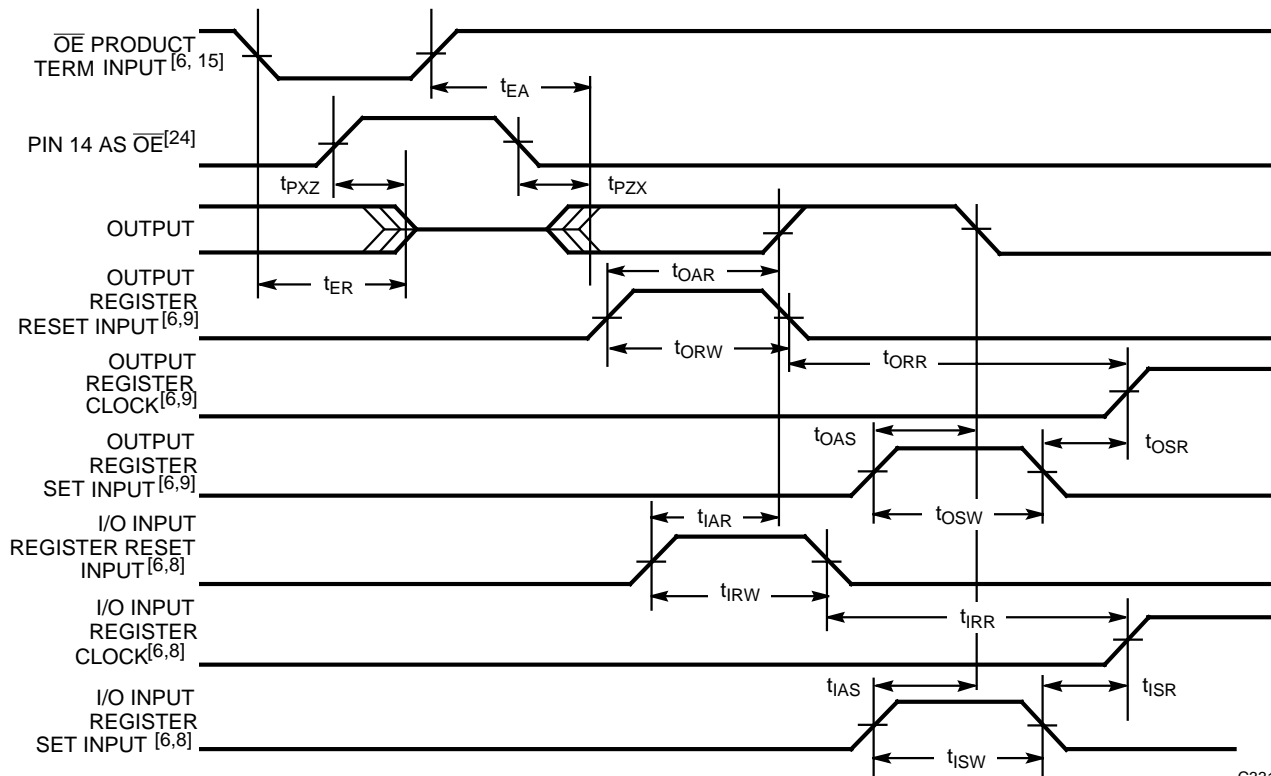
Parameter	Description	Military						Unit
		-25		-30		-40		
		Min.	Max.	Min.	Max.	Min.	Max.	
t _{PD}	Input to Output Propagation Delay ^[7]		25		30		40	ns
t _{ICO}	Input Register Clock to Output Delay ^[4, 8]		45		50		65	ns
t _{IOH}	Output Data Stable Time from Input Clock ^[4, 8]	5		5		5		ns
t _{IS}	Input or Feedback Set-Up Time to Input Register Clock ^[8]	5		5		5		ns
t _{IH}	Input Register Hold Time from Input Clock ^[4, 8]	13		15		20		ns
t _{IAR}	Input to Input Register Asynchronous Reset Delay ^[4, 8]		45		50		65	ns
t _{IRW}	Input Register Reset Width ^[8]	45		50		65		ns
t _{IRR}	Input Register Reset Recovery Time ^[8]	45		50		65		ns
t _{IAS}	Input to Input Register Asynchronous Set Delay ^[8]		45		50		65	ns
t _{ISW}	Input Register Set Width ^[8]	45		50		65		ns
t _{ISR}	Input Register Set Recovery Time ^[8]	45		50		65		ns
t _{WH}	Input and Output Clock Width High ^[8, 9, 10]	15		20		25		ns
t _{WL}	Input and Output Clock Width Low ^[8, 9, 10]	15		20		25		ns
f _{MAX1}	Maximum frequency with Feedback in Input Registered Mode (1/(t _{ICO} + t _{IS})) ^[11]	20.0		18.1		14.2		MHz
f _{MAX2}	Maximum frequency Data Path in Input Registered Mode (Lowest of 1/t _{ICO} , 1/(t _{WH} + t _{WL}), or 1/(t _{IS} + t _{IH})) ^[8]	22.2		20.0		15.3		MHz
t _{IOH} -t _{IH33X}	Output Data Stable from Input Clock Minus Input Register Input Hold Time for 7C335 ^[12, 13]	0		0		0		ns
t _{CO}	Output Register Clock to Output Delay ^[9]		25		30		40	ns
t _{OH}	Output Data Stable Time from Output Clock ^[9]	3		3		3		ns
t _S	Output Register Input Set-Up Time to Output Clock ^[9]	15		15		20		ns
t _H	Output Register Input Hold Time from Output Clock ^[9]	10		10		12		ns
t _{OAR}	Input to Output Register Asynchronous Reset Delay ^[9]		25		30		40	ns
t _{ORW}	Output Register Reset Width ^[9]	25		30		40		ns
t _{ORR}	Output Register Reset Recovery Time ^[9]	25		30		40		ns
t _{OAS}	Input to Output Register Asynchronous Set Delay ^[9]		25		30		40	ns
t _{OSW}	Output Register Set Width ^[9]	25		30		40		ns
t _{OSR}	Output Register Set Recovery Time ^[9]	25		30		40		ns
t _{EA}	Input to Output Enable Delay ^[14, 15]		25		30		40	ns
t _{ER}	Input to Output Disable Delay ^[14, 15]		25		30		40	ns
t _{PZX}	Pin 14 to Output Enable Delay ^[14, 15]		20		25		35	ns
t _{PXZ}	Pin 14 to Output Disable Delay ^[14, 15]		20		25		35	ns
f _{MAX3}	Maximum Frequency with Feedback in Output Registered Mode (1/(t _{CO} + t _S)) ^[16, 17]	25.0		22.2		16.6		MHz
f _{MAX4}	Maximum Frequency Data Path in Output Registered Mode (Lowest of 1/t _{CO} , 1/(t _{WH} + t _{WL}), or 1/(t _S + t _H)) ^[9]	33.3		25.0		20.0		MHz
t _{OH} -t _{IH33X}	Output Data Stable from Output Clock Minus Input Register Input Hold Time for 7C335 ^[13, 18]	0		0		0		ns
f _{MAX5}	Maximum Frequency Pipelined Mode ^[10, 17]	28.0		23.5		18.5		MHz

Note:

18. Refer to Figure 3, configuration 10.

Switching Waveforms


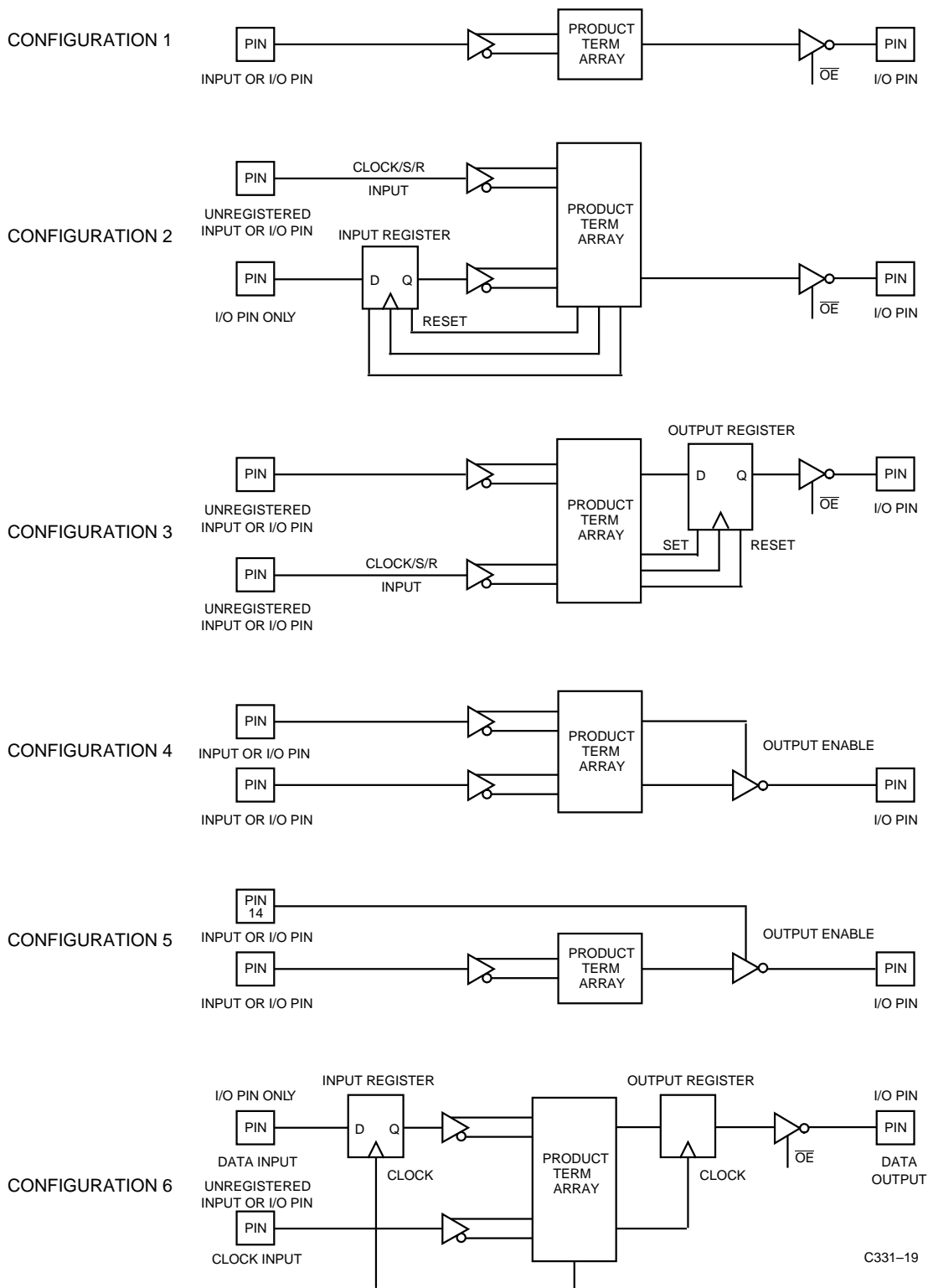
C331-17



C331-18

Notes:

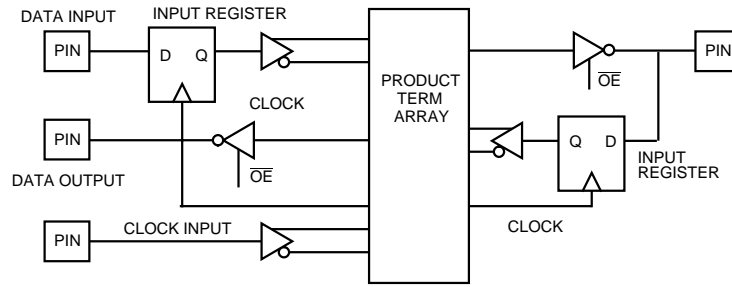
19. Output register is set in Transparent mode. Output register set and reset inputs are in a HIGH state.
20. Dedicated input or input register set in Transparent mode. Input register set and reset inputs are in a HIGH state.
21. Combinatorial Mode. Reset and set inputs of the input and output registers should remain in a HIGH state at least until the output responds at t_{PD} . When returning set and reset inputs to a LOW state, one of these signals should go LOW a minimum of t_{OSR} (set input) or t_{ORR} (reset input) prior to the other. This guarantees predictable register states upon exit from Combinatorial mode.
22. When entering the Combinatorial mode, input and output register set and reset inputs must be stable in a HIGH state a minimum of t_{ISR} or t_{IRR} and t_{OSR} or t_{ORR} respectively prior to application of logic input signals.
23. When returning to the input and/or output Registered mode, register set and reset inputs must be stable in a LOW state a minimum of t_{ISR} or t_{IRR} and t_{OSR} or t_{ORR} respectively prior to the application of the register clock input.
24. Refer to *Figure 3*, configuration 5.



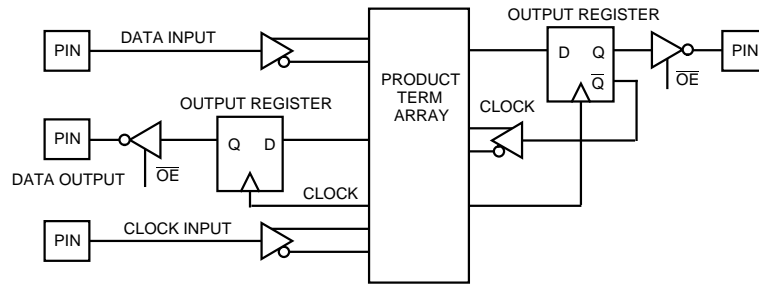
C331-19

Figure 3. Timing Configurations

CONFIGURATION 7

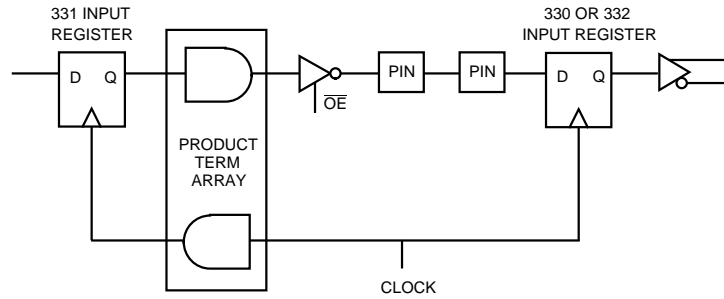


CONFIGURATION 8

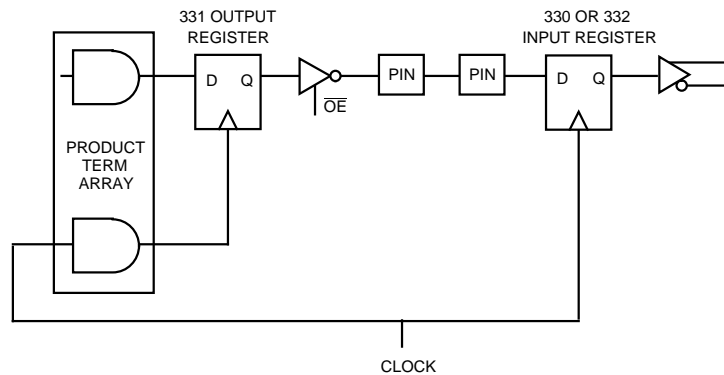


C331-20

CONFIGURATION 9



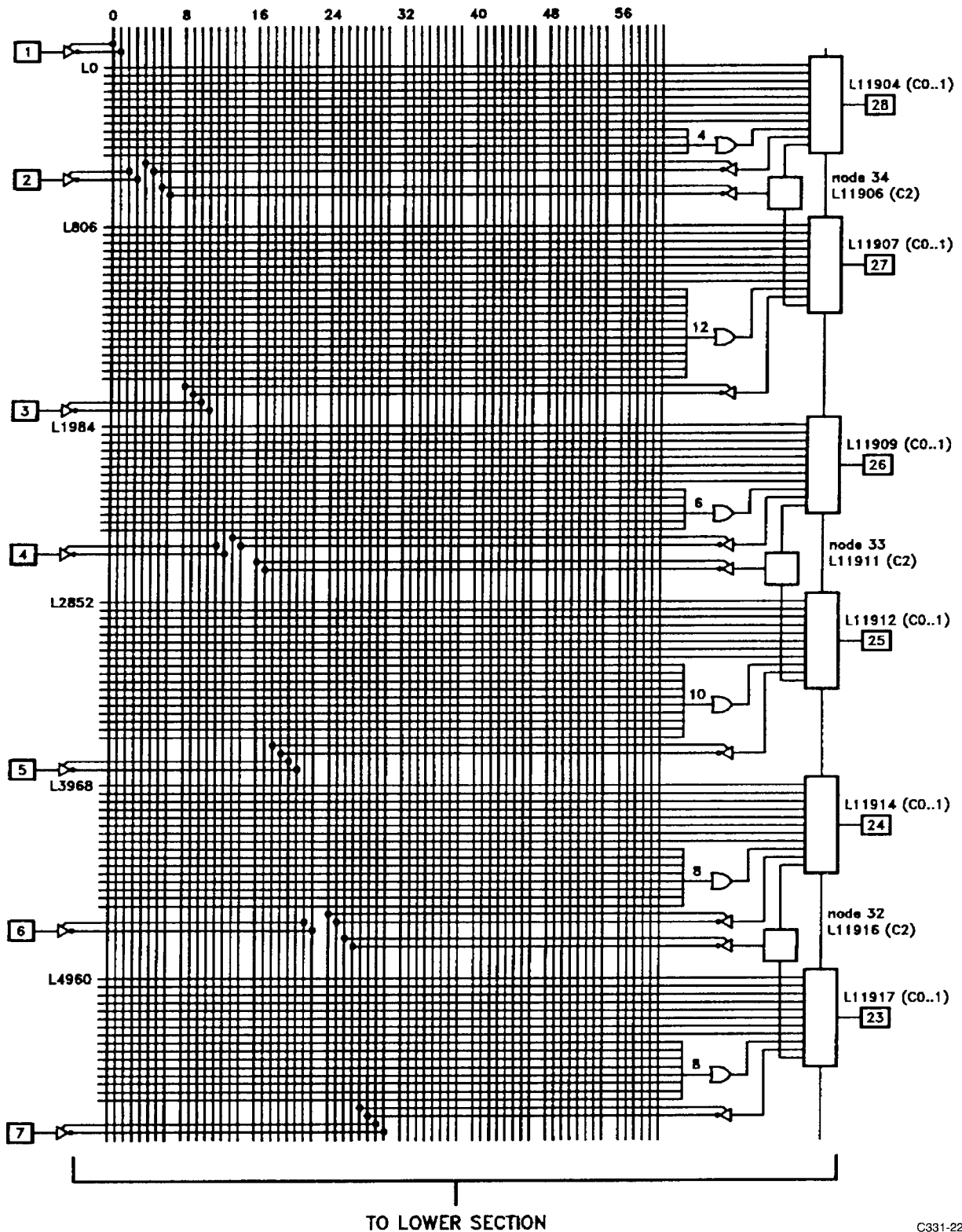
CONFIGURATION 10



C331-21

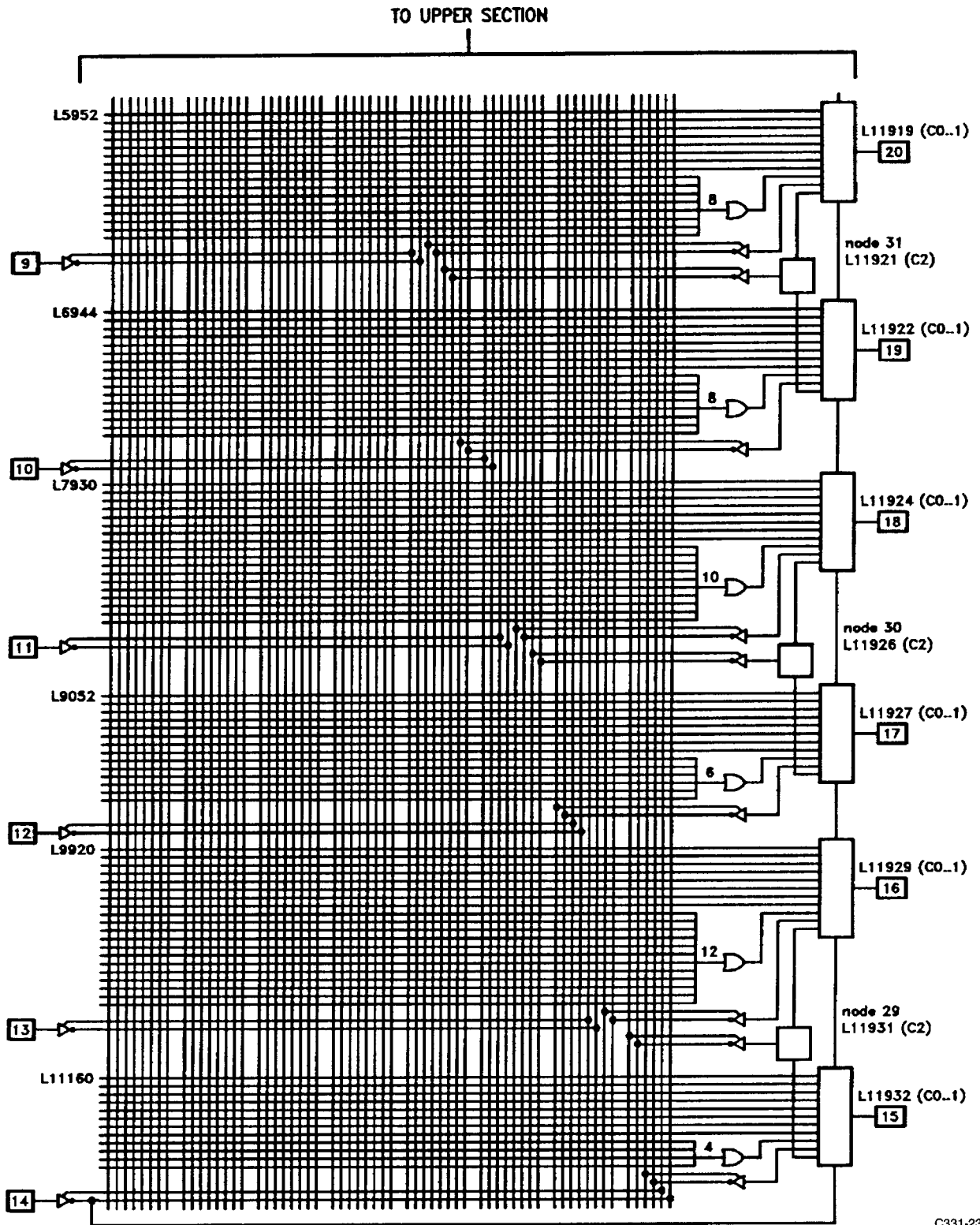
Figure 3. Timing Configurations (continued)

CY7C331 Logic Diagram (Upper Half)



C331-22

CY7C331 Logic Diagram (Lower Half)



C331-23

Ordering Information

I_{CC1} (mA)	t_{PD} (ns)	t_S (ns)	t_{CO} (ns)	Ordering Code	Package Name	Package Type	Operating Range
130	20	12	20	CY7C331-20HC	H64	28-Pin Windowed Leaded Chip Carrier	Commercial
				CY7C331-20JC	J64	28-Lead Plastic Leaded Chip Carrier	
				CY7C331-20PC	P21	28-Lead (300-Mil) Molded DIP	
				CY7C331-20WC	W22	28-Lead (300-Mil) Windowed CerDIP	
160	25	15	25	CY7C331-25DMB	D22	28-Lead (300-Mil) CerDIP	Military
				CY7C331-25HMB	H64	28-Pin Windowed Leaded Chip Carrier	
				CY7C331-25LMB	L64	28-Square Leadless Chip Carrier	
				CY7C331-25QMB	Q64	28-Pin Windowed Leadless Chip Carrier	
				CY7C331-25TMB	T74	28-Lead Windowed Cerpack	
				CY7C331-25WMB	W22	28-Lead (300-Mil) Windowed CerDIP	
120	25	12	25	CY7C331-25HC	H64	28-Pin Windowed Leaded Chip Carrier	Commercial
				CY7C331-25JC	J64	28-Lead Plastic Leaded Chip Carrier	
				CY7C331-25PC	P21	28-Lead (300-Mil) Molded DIP	
				CY7C331-25WC	W22	28-Lead (300-Mil) Windowed CerDIP	
150	30	15	30	CY7C331-30DMB	D22	28-Lead (300-Mil) CerDIP	Military
				CY7C331-30HMB	H64	28-Pin Windowed Leaded Chip Carrier	
				CY7C331-30LMB	L64	28-Square Leadless Chip Carrier	
				CY7C331-30QMB	Q64	28-Pin Windowed Leadless Chip Carrier	
				CY7C331-30TMB	T74	28-Lead Windowed Cerpack	
				CY7C331-30WMB	W22	28-Lead (300-Mil) Windowed CerDIP	
150	40	20	40	CY7C331-40DMB	D22	28-Lead (300-Mil) CerDIP	Military
				CY7C331-40HMB	H64	28-Pin Windowed Leaded Chip Carrier	
				CY7C331-40LMB	L64	28-Square Leadless Chip Carrier	
				CY7C331-40QMB	Q64	28-Pin Windowed Leadless Chip Carrier	
				CY7C331-40TMB	T74	28-Lead Windowed Cerpack	
				CY7C331-40WMB	W22	28-Lead (300-Mil) Windowed CerDIP	

MILITARY SPECIFICATIONS
Group A Subgroup Testing
DC Characteristics

Parameter	Subgroups
V_{OH}	1, 2, 3
V_{OL}	1, 2, 3
V_{IH}	1, 2, 3
V_{IL}	1, 2, 3
I_{IX}	1, 2, 3
I_{OZ}	1, 2, 3
I_{CC1}	1, 2, 3

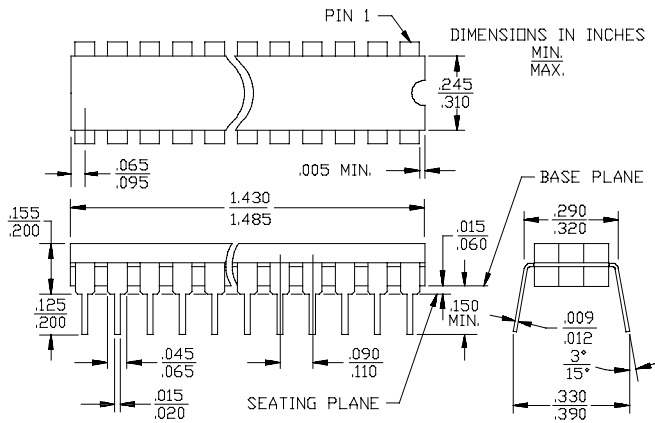
Switching Characteristics

Parameter	Subgroups
t_{IS}	9, 10, 11
t_{IH}	9, 10, 11
t_{WH}	9, 10, 11
t_{WL}	9, 10, 11
t_{CO}	9, 10, 11
t_{PD}	9, 10, 11
t_{IAR}	9, 10, 11
t_{IAS}	9, 10, 11
t_{PXZ}	9, 10, 11
t_{PZX}	9, 10, 11
t_{ER}	9, 10, 11
t_{EA}	9, 10, 11
t_S	9, 10, 11
t_H	9, 10, 11

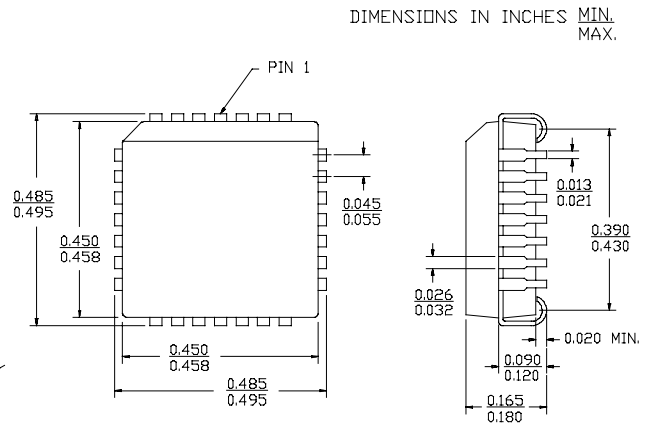
Document #: 38-00066-D

Package Diagrams

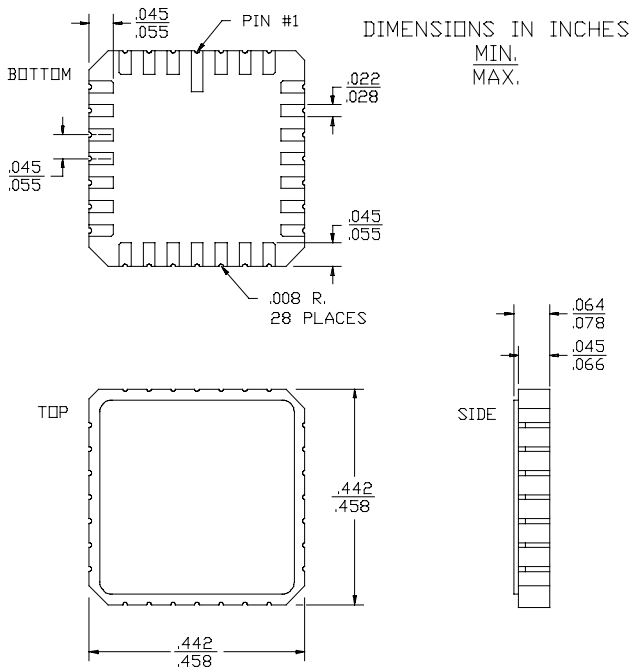
28-Lead (300-Mil) CerDIP D22
MIL-STD-1835 D- 15Config.A



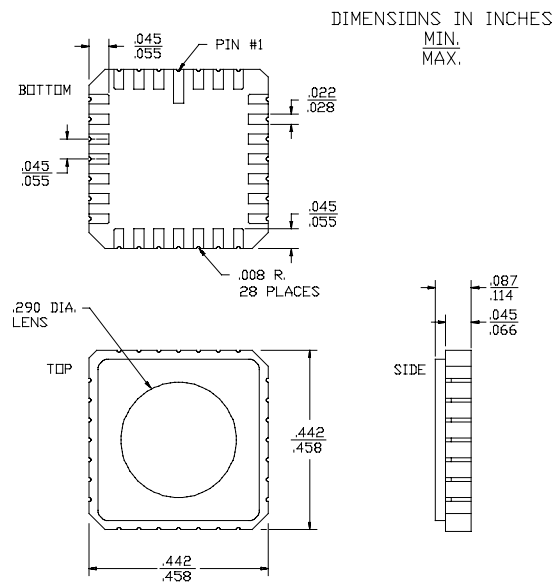
28-Lead Plastic Leaded Chip Carrier J64



28-Square Leadless Chip Carrier L64
MIL-STD-1835 C-4

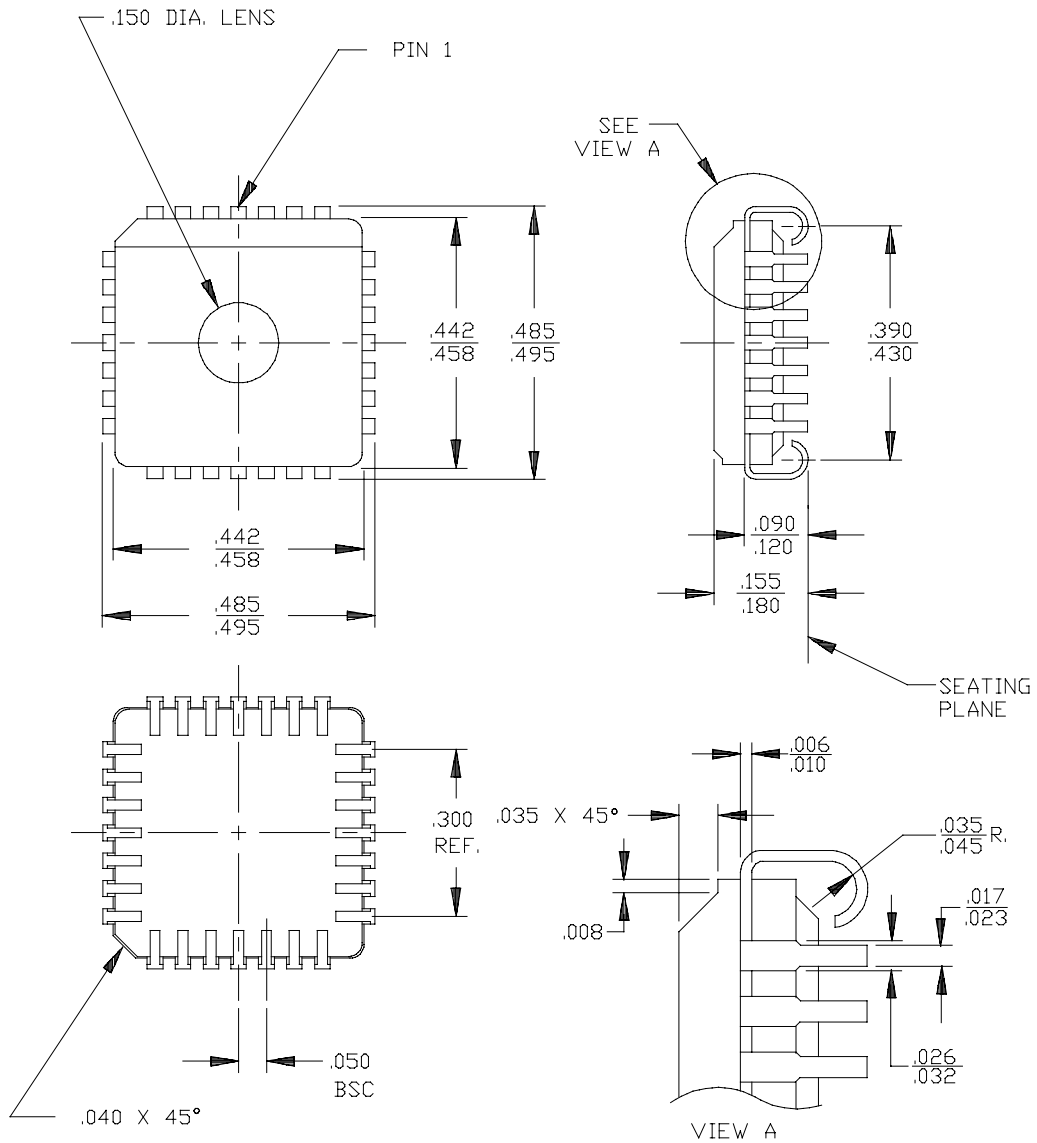


28-Pin Windowed Leadless Chip Carrier Q64
MIL-STD-1835 C-4



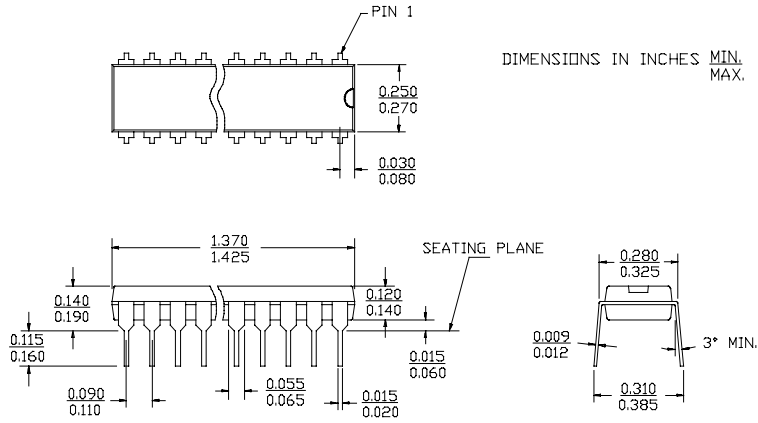
Package Diagrams (continued)

28-Pin Windowed Leaded Chip Carrier



Package Diagrams (continued)

28-Lead (300-Mil) Molded DIP P21



28-Lead Windowed Cerpack T74

