

MediaClock™ DTV, STB Clock Generator

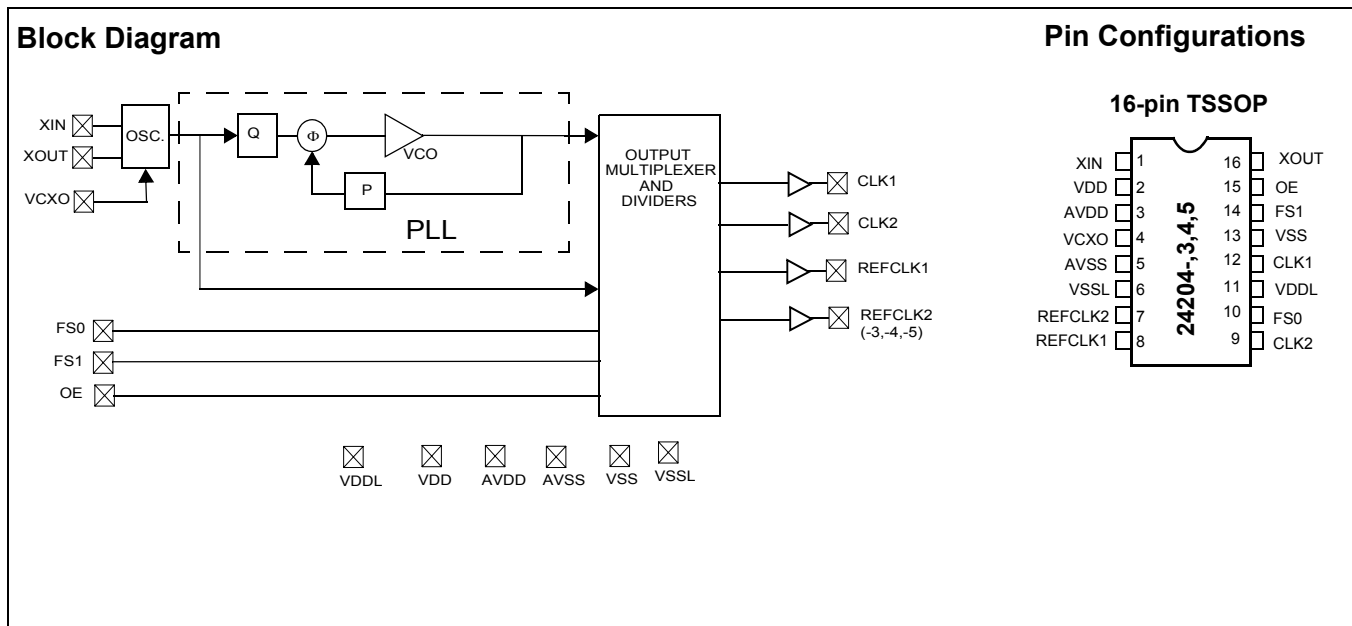
Features

- Integrated phase-locked loop (PLL)
- Low jitter, high-accuracy outputs
- VCXO with Analog Adjust
- 3.3V operation

Benefits

- Internal PLL with up to 400-MHz internal operation
- Meets critical timing requirements in complex system designs
- Large ± 150 -ppm range, better linearity
- Enables application compatibility

Part Number	Outputs	Input Frequency	Output Frequency Range
CY24204-3	4	27-MHz Crystal Input	Two copies of 27-MHz reference clock output, two copies of 27/27.027/74.250/74.17582418 MHz (frequency selectable)
CY24204-4	4	27-MHz Crystal Input	Two copies of 27-MHz reference clock output, two copies of 27/27.027/74.250/74.17582418 MHz (frequency selectable, Increased VCXO pull range)
CY24204-5	4	27-MHz Crystal Input	Two copies of 27-MHz reference clock output, two copies of 27/27.027/74.250/74.17582418 MHz (frequency selectable, Increased output drive strength)



Frequency Select Options

OE	FS1	FS0	CLK1/CLK2 ^[1]	REFCLK 1/2	Unit
0	0	0	off	27	MHz
0	0	1	off	27	MHz
0	1	0	off	27	MHz
0	1	1	off	27	MHz
1	0	0	27	27	MHz
1	0	1	27.027	27	MHz
1	1	0	74.250	27	MHz
1	1	1	74.17582418	27	MHz

Pin Description

Name	Pin Number	Description
XIN	1	Reference Crystal Input.
V _{DD}	2	Voltage Supply.
AV _{DD}	3	Analog Voltage Supply.
VCXO	4	Input Analog Control for VCXO.
AV _{SS}	5	Analog Ground.
V _{SSL}	6	CLK Ground.
REFCLK2	7	Reference Clock Output.
REFCLK1	8	Reference Clock Output.
CLK1	9	27/27.027/74.250/74.17582418-MHz Clock Output (Frequency Selectable).
FS0	10	Frequency Select 0, Weak Internal Pull-up.
V _{DDL}	11	CLK Voltage Supply.
CLK2	12	27/27.027/74.250/74.17582418-MHz Clock Output (Frequency Selectable).
V _{SS}	13	Ground.
FS1	14	Frequency Select 1, Weak Internal Pull-up.
OE	15	Output Enable, Weak Internal Pull-up.
XOUT	16	Reference Crystal Output.

Note:

1. "off" = output is driven HIGH.

Absolute Maximum Conditions

(Above which the useful life may be impaired. For user guidelines, not tested.)

Supply Voltage (V_{DD} , AV_{DDL} , V_{DDL}).....-0.5 to +7.0V
 DC Input Voltage..... -0.5V to $V_{DD} + 0.5$

Storage Temperature (Non-Condensing).... -55°C to +125°C
 Junction Temperature..... -40°C to +125°C
 Data Retention @ $T_j=125^\circ\text{C}$ > 10 years
 Package Power Dissipation..... 350 mW
 ESD (Human Body Model) MIL-STD-883..... 2000V

Pullable Crystal Specifications

Parameter	Description	Comments	Min.	Typ.	Max.	Unit
F_{NOM}	Nominal crystal frequency	Parallel resonance, fundamental mode, AT cut	-	27.0	-	MHz
C_{LNOM}	Nominal load capacitance		-	14	-	pF
R_1	Equivalent series resistance (ESR)	Fundamental mode	-		25	Ω
R_3/R_1	Ratio of third overtone mode ESR to fundamental mode ESR	Ratio used because typical R_1 values are much less than the maximum spec	3	-	-	
DL	Crystal drive level	No external series resistor assumed	-	0.5	2	mW
F_{3SEPHI}	Third overtone separation from $3 \cdot F_{NOM}$	High side	300	-	-	ppm
F_{3SEPLO}	Third overtone separation from $3 \cdot F_{NOM}$	Low side	-	-	-150	ppm
C_0	Crystal shunt capacitance		-	-	7	pF
C_0/C_1	Ratio of shunt to motional capacitance		180	-	250	
C_1	Crystal motional capacitance		14.4	18	21.6	fF

Recommended Operating Conditions

Parameter	Description	Min.	Typ.	Max.	Unit
$V_{DD}/AV_{DDL}/V_{DDL}$	Operating Voltage	3.135	3.3	3.465	V
T_A	Ambient Temperature	0	-	70	$^\circ\text{C}$
C_{LOAD}	Max. Load Capacitance	-	-	15	pF
t_{PU}	Power-up time for all V_{DD} s to reach minimum specified voltage (power ramps must be monotonic)	0.05	-	500	ms

DC Electrical Specifications

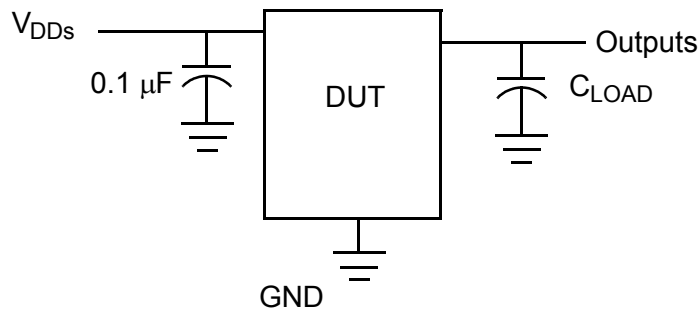
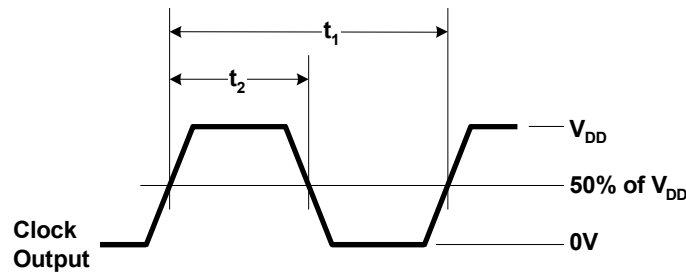
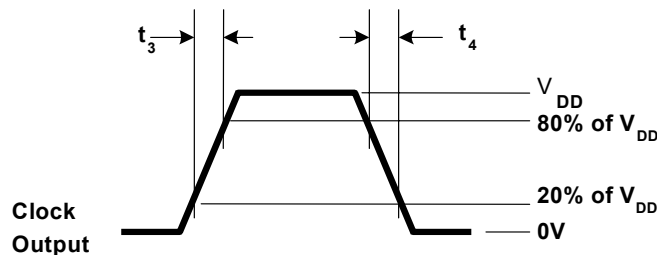
Parameter ^[2]	Name	Description	Min.	Typ.	Max.	Unit
I_{OH1}	Output High Current for -3,-4,	$V_{OH} = V_{DD} - 0.5$, $V_{DD}/V_{DDL} = 3.3V$	12	24	-	mA
I_{OL1}	Output Low Current for -3,-4	$V_{OL} = 0.5$, $V_{DD}/V_{DDL} = 3.3V$	12	24	-	mA
I_{OH2}	Output High Current for -5	$V_{OH} = V_{DD} - 0.5$, $V_{DD}/V_{DDL} = 3.3V$	18	26	-	mA
I_{OL2}	Output Low Current for -5	$V_{OL} = 0.5$, $V_{DD}/V_{DDL} = 3.3V$	18	26	-	mA
V_{IH}	Input High Voltage	CMOS levels, 70% of V_{DD}	0.7	-	-	V_{DD}
V_{IL}	Input Low Voltage	CMOS levels, 30% of V_{DD}	-	-	0.3	V_{DD}
I_{VDD}	Supply Current	AV_{DD}/V_{DD} Current	-	-	25	mA
I_{VDDL}	Supply Current	V_{DDL} Current ($V_{DDL} = 3.47V$)	-	-	20	mA
C_{IN}	Input Capacitance		-	-	7	pF
$f_{\Delta XO}$	V_{CXO} pullability range	Nominal pullability for -1,-2,-3,-5,-6	± 150	-	-	ppm
$f_{\Delta XO}$	V_{CXO} pullability range	Extended pullability for -4	-	± 200	-	ppm
V_{VCXO}	V_{CXO} input range		0	-	V_{DD}	V
R_{UP}	Pull-up resistor on inputs	$V_{DD} = 3.14$ to $3.47V$, measured at $V_{IN} = 0V$	-	100	150	k Ω

Note:

2. Not 100% tested.

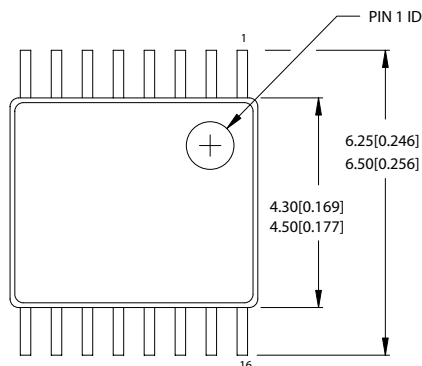
AC Electrical Specifications

Parameter ^[2]	Name	Description	Min.	Typ.	Max.	Unit
DC	Output Duty Cycle	Duty Cycle is defined in <i>Figure 1</i> ; t_1/t_2 , 50% of V_{DD}	45	50	55	%
ER ₁	Rising Edge Rate for -3,-4	Output Clock Edge Rate, Measured from 20% to 80% of V_{DD} , $C_{LOAD} = 15$ pF See <i>Figure 2</i> .	0.8	1.4	–	V/ns
EF ₁	Falling Edge Rate for -3,-4	Output Clock Edge Rate, Measured from 80% to 20% of V_{DD} , $C_{LOAD} = 15$ pF See <i>Figure 2</i> .	0.8	1.4	–	V/ns
ER ₂	Rising Edge Rate for -5	Output Clock Edge Rate, Measured from 20% to 80% of V_{DD} , $C_{LOAD} = 15$ pF See <i>Figure 2</i> .	1.0	1.8	–	V/ns
EF ₂	Falling Edge Rate for -5	Output Clock Edge Rate, Measured from 80% to 20% of V_{DD} , $C_{LOAD} = 15$ pF See <i>Figure 2</i> .	1.0	1.8	–	V/ns
t_9	Clock Jitter	CLK1, CLK2 Peak-Peak period jitter	–	120	–	ps
t_{10}	PLL Lock Time		–	–	3	ms

Test and Measurement Set-up

Voltage and Timing Definitions

Figure 1. Duty Cycle Definition

Figure 2. ER = $(0.6 \times V_{DD}) / t_3$, EF = $(0.6 \times V_{DD}) / t_4$

Ordering Information

Ordering Code	Package Name	Package Type	Operating Range	Operating Voltage
Standard				
CY24204ZC-3	Z16	16-Pin TSSOP	Commercial	3.3V
CY24204ZC-3T	Z16	16-Pin TSSOP	Commercial	3.3V
CY24204ZC-4	Z16	16-Pin TSSOP	Commercial	3.3V
CY24204ZC-4T	Z16	16-Pin TSSOP	Commercial	3.3V
CY24204ZC-5	Z16	16-Pin TSSOP	Commercial	3.3V
CY24204ZC-5T	Z16	16-Pin TSSOP	Commercial	3.3V
Lead-free				
CY24204ZXC-3	Z16	16-Pin TSSOP	Commercial	3.3V
CY24204ZXC-3T	Z16	16-Pin TSSOP	Commercial	3.3V
CY24204ZXC-4	Z16	16-Pin TSSOP	Commercial	3.3V
CY24204ZXC-4T	Z16	16-Pin TSSOP	Commercial	3.3V
CY24204ZXC-5	Z16	16-Pin TSSOP	Commercial	3.3V
CY24204ZXC-5T	Z16	16-Pin TSSOP	Commercial	3.3V

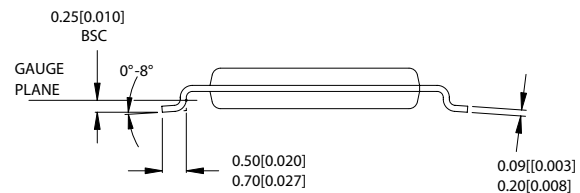
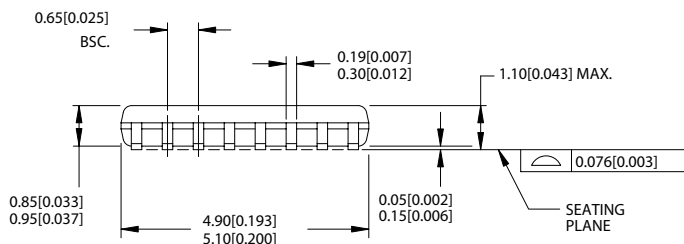
Package Drawing and Dimensions
16-lead TSSOP 4.40 MM Body Z16.173


DIMENSIONS IN MM[INCHES] MIN.

MAX.

REFERENCE JEDEC MO-153

PACKAGE WEIGHT 0.05gms



51-85091-A

MediaClock is a trademark of Cypress Semiconductor Corporation. All product and company names mentioned in this document may be the trademarks of their respective holders.

Document History Page

Document Title: CY24204 MediaClock™ DTV, STB Clock Generator				
Document Number: 38-07450				
REV.	ECN NO.	Issue Date	Orig. of Change	Description of Change
**	123842	04/10/03	CKN	New Data Sheet
*A	128775	09/0803	IJA	Added -4 and -5 parts
*B	214080	See ECN	RGL	Added -6 part
*C	310573	See ECN	RGL	Removed -1,-2 and -6 parts Added Lead-free devices for -3, -4, and -5 parts