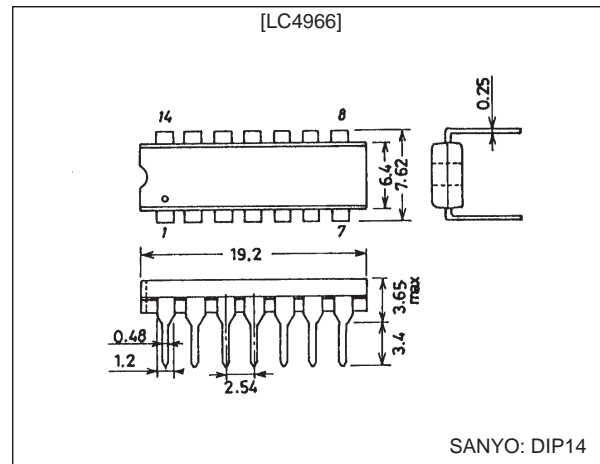


**LC4966****Quad Bilateral Switch****Overview**

The LC4966 is an IC that provides the same functions as the MLC4066B and the MLC4066BH over an expanded usable voltage range. The LC4966 provides four bidirectional switch circuits. These circuits form a low-impedance conducting path between the input and output sides when the corresponding control input (CONT) is set high, and form a high-impedance nonconducting open circuit when the control input is set low.

Package Dimensions

unit: mm

3003A-DIP14**Specifications****Absolute Maximum Ratings at $T_a = 25^\circ\text{C}$, $V_{SS} = 0\text{ V}$**

Parameter	Symbol	Conditions	Ratings	Unit
Maximum supply voltage	$V_{DD\text{ max}}$		$V_{SS} - 0.5$ to $V_{SS} + 40$	V
Input voltage	V_{IN}		$V_{SS} - 0.5$ to $V_{DD} + 0.5$	V
Output voltage	V_{OUT}		$V_{SS} - 0.5$ to $V_{DD} + 0.5$	V
Input current	I_{IN}		± 10	mA
Potential difference between input and output when on	$V_I - V_O$		± 0.5	V
Lead soldering temperature time	T_{sol}	$t = 10\text{ s}$	260	$^\circ\text{C}$
Allowable power dissipation	$P_{d\text{ max}}$	$T_a \leq 85^\circ\text{C}$, $I_{IN} = \pm 10\text{ mA}$	300	mW
Operating temperature	T_{opr}		-40 to +85	$^\circ\text{C}$
Storage temperature	T_{stg}		-65 to +150	$^\circ\text{C}$

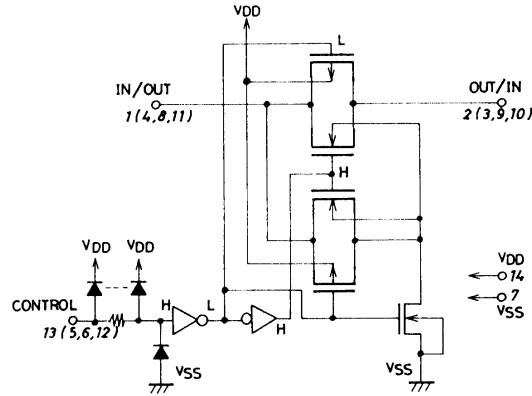
Allowable Operating Ranges at $T_a = -40$ to $+85^\circ\text{C}$

Parameter	Symbol	Conditions	Ratings	Unit
Supply voltage	V_{DD}		3 to 37	V
Input voltage	V_{IN}		0 to V_{DD}	V

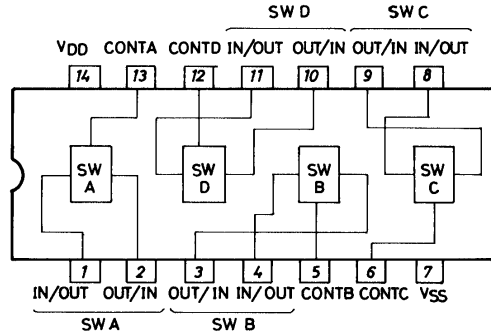
SANYO Electric Co., Ltd. Semiconductor Business Headquarters
 TOKYO OFFICE Tokyo Bldg., 1-10, 1 Chome, Ueno, Taito-ku, TOKYO, 110 JAPAN

42696HA (OT) No. 1536-1/6

Equivalent Circuit
(1/4 LC4966)



Pin Assignment and Equivalent Circuit Block Diagram



Electrical Characteristics at $T_a = 25 \pm 2^\circ\text{C}$, $V_{SS} = 0\text{ V}$

Parameter	Symbol	Conditions	min	typ	max	Unit
Input high-level control voltage	V_{IH}	$V_{DD} = 5\text{ V}$, for a current between input and output $> 10\ \mu\text{A}$	3.5			V
		$V_{DD} = 10\text{ V}$, for a current between input and output $> 10\ \mu\text{A}$	8.0			V
		$V_{DD} = 15\text{ V}$, for a current between input and output $> 10\ \mu\text{A}$	12.5			V
		$V_{DD} = 20\text{ V}$, for a current between input and output $> 10\ \mu\text{A}$	17.0			V
		$V_{DD} = 30\text{ V}$, for a current between input and output $> 10\ \mu\text{A}$	27.0			V
		$V_{DD} = 37\text{ V}$, for a current between input and output $> 10\ \mu\text{A}$	34.0			V
Input low-level control voltage	V_{IL}	$V_{DD} = 5\text{ V}$, for a current between input and output $< 10\ \mu\text{A}$			1.0	V
		$V_{DD} = 10\text{ V}$, for a current between input and output $< 10\ \mu\text{A}$			2.0	V
		$V_{DD} = 15\text{ V}$, for a current between input and output $< 10\ \mu\text{A}$			2.5	V
		$V_{DD} = 20\text{ V}$, for a current between input and output $< 10\ \mu\text{A}$			2.5	V
		$V_{DD} = 30\text{ V}$, for a current between input and output $< 10\ \mu\text{A}$			3.0	V
		$V_{DD} = 37\text{ V}$, for a current between input and output $< 10\ \mu\text{A}$			3.0	V

Continued on next page.

LC4966

Continued from preceding page.

Parameter	Symbol	Conditions	min	typ	max	Unit
On resistance	R _{ON}	V _{DD} = 5 V, V _{IN} = 5 V, I = ±1 mA		110	220	Ω
		V _{DD} = 5 V, V _{IN} = 2.5 V, I = ±1 mA		90	180	Ω
		V _{DD} = 5 V, V _{IN} = 0.25 V, I = ±1 mA		110	220	Ω
		V _{DD} = 10 V, V _{IN} = 10 V, I = ±3 mA		70	140	Ω
		V _{DD} = 10 V, V _{IN} = 5 V, I = ±3 mA		50	100	Ω
		V _{DD} = 10 V, V _{IN} = 0.25 V, I = ±3 mA		70	140	Ω
		V _{DD} = 15 V, V _{IN} = 15 V, I = ±3 mA		60	120	Ω
		V _{DD} = 15 V, V _{IN} = 7.5 V, I = ±3 mA		40	80	Ω
		V _{DD} = 15 V, V _{IN} = 0.25 V, I = ±3 mA		60	120	Ω
		V _{DD} = 20 V, V _{IN} = 20 V, I = ±3 mA		60	120	Ω
		V _{DD} = 20 V, V _{IN} = 10 V, I = ±3 mA		40	80	Ω
		V _{DD} = 20 V, V _{IN} = 0.25 V, I = ±3 mA		60	120	Ω
		V _{DD} = 30 V, V _{IN} = 30 V, I = ±3 mA		50	100	Ω
		V _{DD} = 30 V, V _{IN} = 15 V, I = ±3 mA		35	70	Ω
		V _{DD} = 30 V, V _{IN} = 0.25 V, I = ±3 mA		50	100	Ω
		V _{DD} = 37 V, V _{IN} = 37 V, I = ±3 mA		45	90	Ω
		V _{DD} = 37 V, V _{IN} = 19 V, I = ±3 mA		30	60	Ω
		V _{DD} = 37 V, V _{IN} = 0.25 V, I = ±3 mA		45	90	Ω
		V _{DD} = +5 V, V _{IN} = -5 V, V _{IN} = 5 V, I = ±3 mA		70	140	Ω
		V _{DD} = +5 V, V _{SS} = -5 V, V _{IN} = ±0.25 V, I = ±3 mA		50	100	Ω
		V _{DD} = +5 V, V _{SS} = -5 V, V _{IN} = -5 V, I = ±3 mA		70	140	Ω
		V _{DD} = +7.5 V, V _{SS} = -7.5 V, V _{IN} = 5 V, I = ±3 mA		60	120	Ω
		V _{DD} = +7.5 V, V _{SS} = -7.5 V, V _{IN} = ±0.25 V, I = ±3 mA		40	80	Ω
		V _{DD} = +7.5 V, V _{SS} = -7.5 V, V _{IN} = -5 V, I = ±3 mA		60	120	Ω
		V _{DD} = +10 V, V _{SS} = -10 V, V _{IN} = 10 V, I = ±3 mA		60	120	Ω
		V _{DD} = +10 V, V _{SS} = -10 V, V _{IN} = ±0.25 V, I = ±3 mA		40	80	Ω
		V _{DD} = +10 V, V _{SS} = -10 V, V _{IN} = -10 V, I = ±3 mA		60	120	Ω
		V _{DD} = +15 V, V _{SS} = -15 V, V _{IN} = 15 V, I = ±3 mA		50	100	Ω
V _{DD} = +15 V, V _{SS} = -15 V, V _{IN} = ±0.25 V, I = ±3 mA		35	70	Ω		
V _{DD} = +15 V, V _{SS} = -15 V, V _{IN} = -15 V, I = ±3 mA		50	100	Ω		
V _{DD} = +18.5 V, V _{SS} = -18.5 V, V _{IN} = 18.5 V, I = ±3 mA		45	90	Ω		
V _{DD} = +18.5 V, V _{SS} = -18.5 V, V _{IN} = ±0.25 V, I = ±3 mA		30	60	Ω		
V _{DD} = +18.5 V, V _{SS} = -18.5 V, V _{IN} = -18.5 V, I = ±3 mA		45	90	Ω		
Input off leakage current	I _{OFF}	V _{DD} = 37 V, V _{IN} = 37 V, V _{OUT} = 0 V		±1	±500	nA
		V _{DD} = 37 V, V _{IN} = 0 V, V _{OUT} = 37 V		±1	±500	nA
Quiescent current drain	I _{DD}	V _{DD} = 5 V		0.001	1	μA
		V _{DD} = 10 V		0.001	2	μA
		V _{DD} = 15 V		0.002	4	μA
		V _{DD} = 20 V		0.004	8	μA
		V _{DD} = 25 V		0.01	20	μA
		V _{DD} = 30 V		0.02	40	μA
		V _{DD} = 35 V		0.04	80	μA
		V _{DD} = 37 V		0.1	160	μA
Input high-level control current	I _{IH}	V _{DD} = 37 V, V _{IN} = 37 V		10 ⁻⁴	3	μA
Input low-level control current	I _{IL}	V _{DD} = 37 V, V _{IN} = 0 V		-10 ⁻⁴	3	μA
Input capacitance	C _{IN}	Control inputs		5	7.5	pF
		Switch input and outputs		10		pF

LC4966

Switching Characteristics at $T_a = 25 \pm 2^\circ\text{C}$

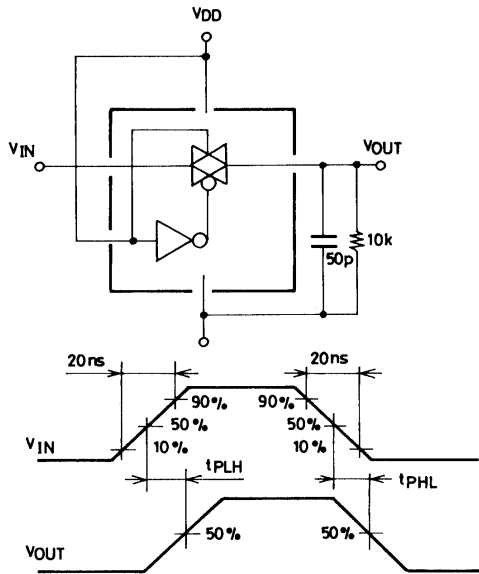
Parameter	Symbol	Conditions	min	typ	max	Unit
Transmission time (IN to OUT)	t_{PLH}, t_{PHL}	$V_{DD} = 5\text{ V}, R_L = 10\text{ k}\Omega, C_L = 50\text{ pF}$		15	45	ns
		$V_{DD} = 10\text{ V}, R_L = 10\text{ k}\Omega, C_L = 50\text{ pF}$		10	30	ns
		$V_{DD} = 15\text{ V}, R_L = 10\text{ k}\Omega, C_L = 50\text{ pF}$		8	25	ns
		$V_{DD} = 20\text{ V}, R_L = 10\text{ k}\Omega, C_L = 50\text{ pF}$		8	25	ns
		$V_{DD} = 25\text{ V}, R_L = 10\text{ k}\Omega, C_L = 50\text{ pF}$		8	25	ns
		$V_{DD} = 30\text{ V}, R_L = 10\text{ k}\Omega, C_L = 50\text{ pF}$		7	25	ns
		$V_{DD} = 35\text{ V}, R_L = 10\text{ k}\Omega, C_L = 50\text{ pF}$		7	25	ns
		$V_{DD} = 37\text{ V}, R_L = 10\text{ k}\Omega, C_L = 50\text{ pF}$		7	25	ns
Transmission time (control → OUT)	t_{PLH}, t_{PHL}	$V_{DD} = 5\text{ V}, R_L = 10\text{ k}\Omega, C_L = 50\text{ pF}$		100	200	ns
		$V_{DD} = 10\text{ V}, R_L = 10\text{ k}\Omega, C_L = 50\text{ pF}$		40	70	ns
		$V_{DD} = 15\text{ V}, R_L = 10\text{ k}\Omega, C_L = 50\text{ pF}$		35	60	ns
		$V_{DD} = 20\text{ V}, R_L = 10\text{ k}\Omega, C_L = 50\text{ pF}$		35	60	ns
		$V_{DD} = 25\text{ V}, R_L = 10\text{ k}\Omega, C_L = 50\text{ pF}$		35	60	ns
		$V_{DD} = 30\text{ V}, R_L = 10\text{ k}\Omega, C_L = 50\text{ pF}$		35	60	ns
		$V_{DD} = 35\text{ V}, R_L = 10\text{ k}\Omega, C_L = 50\text{ pF}$		35	60	ns
		$V_{DD} = 37\text{ V}, R_L = 10\text{ k}\Omega, C_L = 50\text{ pF}$		35	60	ns
Maximum control input frequency	f max (c)	$V_{DD} = 5\text{ V}, C_L = 15\text{ pF}$		1.0		MHz
		$V_{DD} = 10\text{ V}, C_L = 15\text{ pF}$		1.0		MHz
		$V_{DD} = 20\text{ V}, C_L = 15\text{ pF}$		1.0		MHz
		$V_{DD} = 30\text{ V}, C_L = 15\text{ pF}$		1.0		MHz
		$V_{DD} = 37\text{ V}, C_L = 15\text{ pF}$		1.0		MHz
Maximum transmission frequency	f max (I-O)	$V_{DD} = +5\text{ V}, V_{SS} = -5\text{ V}, R_L = 10\text{ k}\Omega, C_L = 15\text{ pF}^{*1}$		35		MHz
		$V_{DD} = +10\text{ V}, V_{SS} = -10\text{ V}$		40		MHz
		$V_{DD} = +15\text{ V}, V_{SS} = -15\text{ V}$		50		MHz
		$V_{DD} = +18.5\text{ V}, V_{SS} = -18.5\text{ V}$		50		MHz
Sine wave total harmonic distortion		$V_{DD} = +5\text{ V}, V_{SS} = -5\text{ V}, R_L = 10\text{ k}\Omega, f = 1\text{ kHz}^{*2}$		0.010		%
		$V_{DD} = +10\text{ V}, V_{SS} = -10\text{ V}$		0.005		%
		$V_{DD} = +15\text{ V}, V_{SS} = -15\text{ V}$		0.005		%
		$V_{DD} = +18.5\text{ V}, V_{SS} = -18.5\text{ V}$		0.005		%
Feedthrough (switch off state)		$V_{DD} = +5\text{ V}, V_{SS} = -5\text{ V}, R_L = 10\text{ k}\Omega^{*3}$		1		MHz
		$V_{DD} = +10\text{ V}, V_{SS} = -10\text{ V}$		1		MHz
		$V_{DD} = +15\text{ V}, V_{SS} = -15\text{ V}$		1		MHz
		$V_{DD} = +18.5\text{ V}, V_{SS} = -18.5\text{ V}$		1		MHz

- Note
1. Vis is a $\pm 2.5\text{ Vp-p}$ sine wave; fmax: $20\log(V_{os}/V_{is}) = \text{the } -3\text{ dB frequency}$.
 2. Vis is a $\pm 2.5\text{ Vp-p}$ sine wave.
 3. Vis is a $\pm 2.5\text{ Vp-p}$ sine wave. Frequency (feedthrough): $20\log(V_{os}/V_{is}) = -50\text{ dB}$

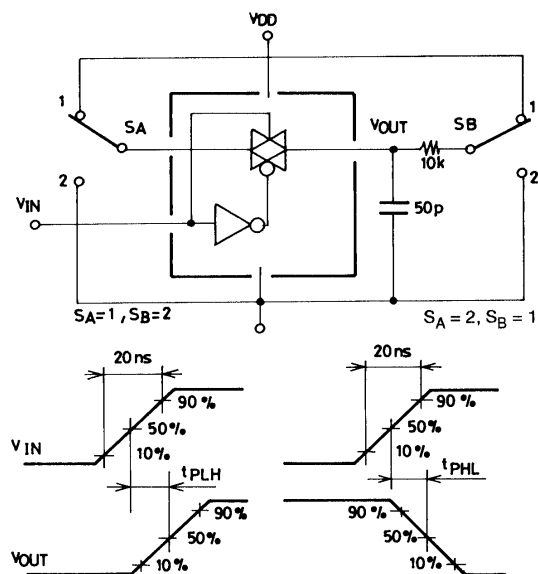
Test Circuits and Waveforms

Unit (resistance: Ω, capacitance: F)

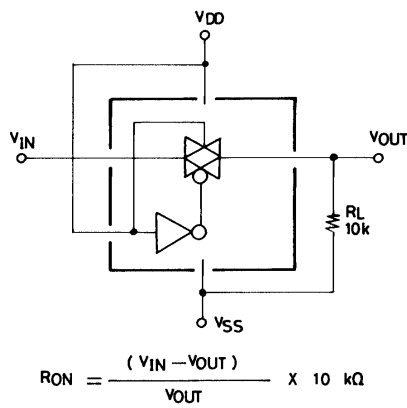
1. t_{PLH} , t_{PHL} (IN-OUT) Test Circuit



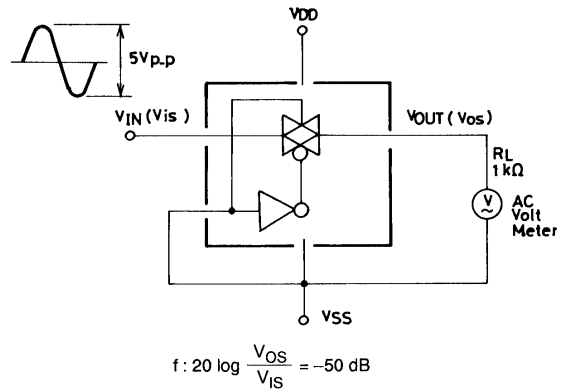
2. t_{PLH} , t_{PHL} (Control-OUT) Test Circuit



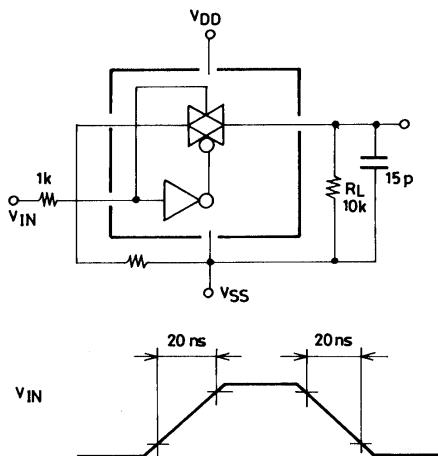
3. R_{ON} Test Circuit



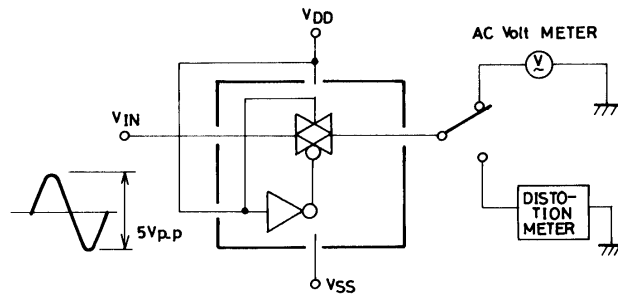
4. Feedthrough Test Circuit

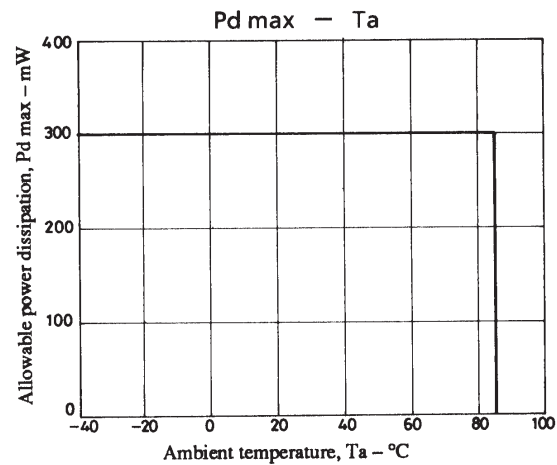


5. Crosstalk



6. Frequency Response (f_{max}) and Total Harmonic Distortion





- No products described or contained herein are intended for use in surgical implants, life-support systems, aerospace equipment, nuclear power control systems, vehicles, disaster/crime-prevention equipment and the like, the failure of which may directly or indirectly cause injury, death or property loss.
- Anyone purchasing any products described or contained herein for an above-mentioned use shall:
 - ① Accept full responsibility and indemnify and defend SANYO ELECTRIC CO., LTD., its affiliates, subsidiaries and distributors and all their officers and employees, jointly and severally, against any and all claims and litigation and all damages, cost and expenses associated with such use:
 - ② Not impose any responsibility for any fault or negligence which may be cited in any such claim or litigation on SANYO ELECTRIC CO., LTD., its affiliates, subsidiaries and distributors or any of their officers and employees jointly or severally.
- Information (including circuit diagrams and circuit parameters) herein is for example only; it is not guaranteed for volume production. SANYO believes information herein is accurate and reliable, but no guarantees are made or implied regarding its use or any infringements of intellectual property rights or other rights of third parties.

This catalog provides information as of December, 1997. Specifications and information herein are subject to change without notice.