

Addendum

HC908JL3AD/D
Rev. 4, 10/2003

Addendum to
MC68HC908JL3
Technical Data

This addendum provides changes and additional information to:

MC68HC908JL3 Technical Data
(Freescale document number MC68HC908JL3/H Rev. 1.0)

NOTE: *To provide the most up-to-date information, the revision of our documents on the World Wide Web will be the most current. Your printed copy may be an earlier revision. To verify you have the latest information available, refer to:*

<http://freescale.com>

Page 43

4.7 FLASH Program Operation — remove the note:

“In order to avoid program disturbs, the row must be erased before any byte on that row is programmed.”

48-Pin LQFP MC68H(R)C908JL3

The 48-pin LQFP package is available for the MC68HC908JL3 and MC68HRC908JL3. The pin assignment and mechanical drawing are shown in [Figure 1](#) and [Figure 2](#) respectively.

Order Numbers:

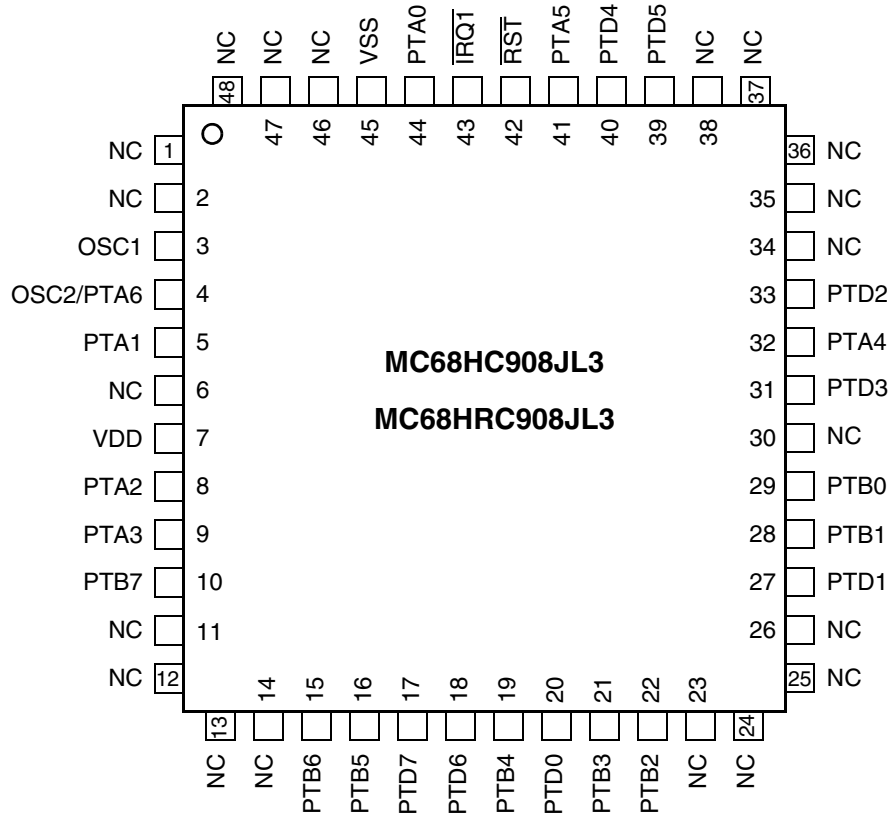
MC order number	Oscillator type	FLASH memory	Operating Voltage	Package
MC68HC908JL3CFA	Crystal	4096 Bytes	5V ±10%	48-pin LQFP
MC68HRC908JL3CFA	RC		3V ±10%	

Notes:

C = -40 °C to +85 °C

FA = Plastic Low Quad Flat Pack (LQFP)

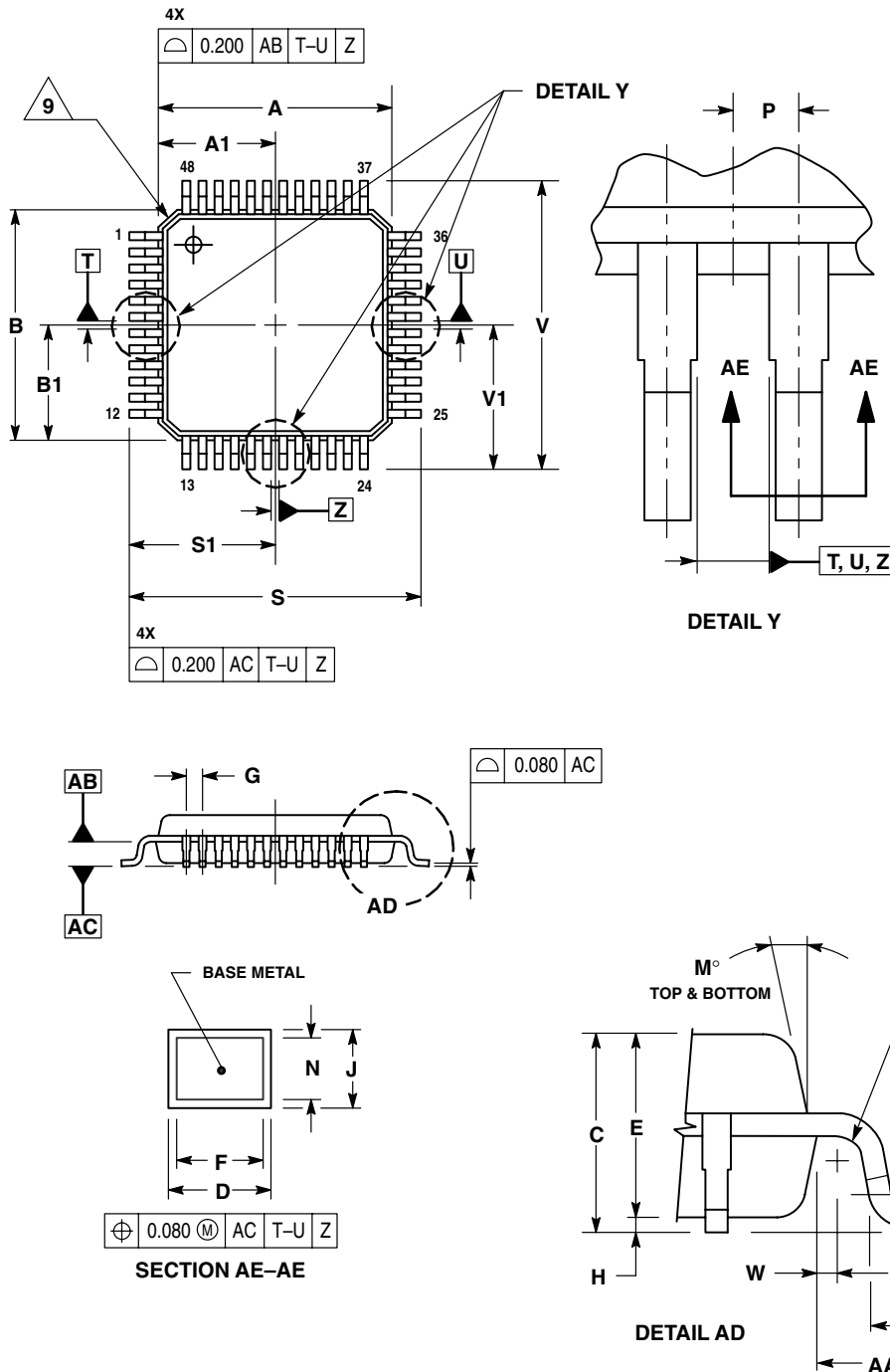
48-Pin LQFP
Pin Assignment



NC: No connection

Figure 1. 48-Pin LQFP Pin Assignment

48-Pin LQFP
Mechanical
Specification



NOTES:

1. DIMENSIONING AND TOLERANCING PER ASME Y14.5M, 1994.
2. CONTROLLING DIMENSION: MILLIMETER.
3. DATUM PLANE AB IS LOCATED AT BOTTOM OF LEAD AND IS COINCIDENT WITH THE LEAD WHERE THE LEAD EXITS THE PLASTIC BODY AT THE BOTTOM OF THE PARTING LINE.
4. DATUMS T, U, AND Z TO BE DETERMINED AT DATUM PLANE AB.
5. DIMENSIONS S AND V TO BE DETERMINED AT SEATING PLANE AC.
6. DIMENSIONS A AND B DO NOT INCLUDE MOLD PROTRUSION. ALLOWABLE PROTRUSION IS 0.250 PER SIDE. DIMENSIONS A AND B DO INCLUDE MOLD MISMATCH AND ARE DETERMINED AT DATUM PLANE AB.
7. DIMENSION D DOES NOT INCLUDE DAMBAR PROTRUSION. DAMBAR PROTRUSION SHALL NOT CAUSE THE D DIMENSION TO EXCEED 0.350.
8. MINIMUM SOLDER PLATE THICKNESS SHALL BE 0.0076.
9. EXACT SHAPE OF EACH CORNER IS OPTIONAL.

MILLIMETERS		
DIM	MIN	MAX
A	7.000	BSC
A1	3.500	BSC
B	7.000	BSC
B1	3.500	BSC
C	1.400	1.600
D	0.170	0.270
E	1.350	1.450
F	0.170	0.230
G	0.500	BSC
H	0.050	0.150
J	0.090	0.200
K	0.500	0.700
L	1°	5°
M	12°	REF
N	0.090	0.160
P	0.250	BSC
R	0.150	0.250
S	9.000	BSC
S1	4.500	BSC
V	9.000	BSC
V1	4.500	BSC
W	0.200	REF
AA	1.000	REF

Figure 2. 48-Pin Plastic Low Quad Flat Pack (LQFP) (Case #932)

HC908JL3AD/D
Rev. 4
10/2003

**For More Information On This Product,
Go to: www.freescale.com**