

# KA3012D

## 4-Channel Motor Driver

### Features

- BTL (H-Bridge type linear) 4channel motor driver
- Wide dynamic range:
  - $SV_{CC}=12V, PV_{CC1}=5V, R_L=8\Omega \rightarrow V_{OM}=4.2V$
  - $SV_{CC}=12V, PV_{CC2}=12V, R_L=24\Omega \rightarrow V_{OM}=10.4V$
- Built in level-shift circuit
- Built in OP-amp for digital input
- Built in thermal shutdown (TSD) circuit
- Three independent sources
- Low crossover distortion
- Built-in reverse rotation prevented
- Built-in short breaker

### Description

The KA3012D is a monolithic IC, and suitable for 4-CH motor driver which drives sled motor, loading motor, focus & tracking actuator of CD-media system and built in OP-amp which can receive digital signal from servo of CD-media system.



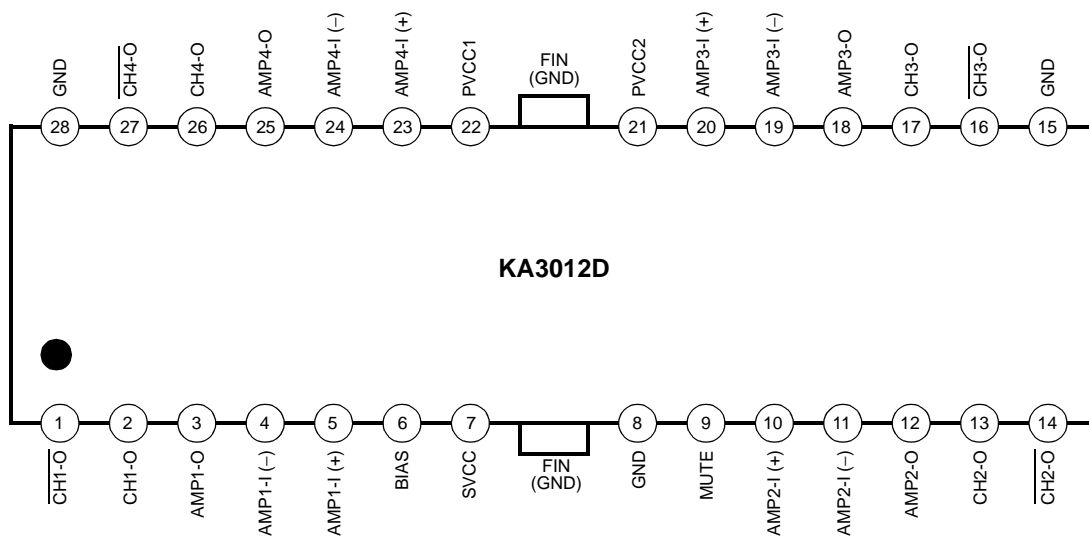
### Typical Applications

- Compact disk ROM (CD-ROM)
- Compact disk RW (CD-RW)
- Digital video disk ROM (DVD-ROM)
- Digital video disk RAM (DVD-RAM)
- Digital video disk player (DVDP)
- Other compact disk media

### Ordering Information

Device	Package	Operating Temp.
KA3012D-02	28-SSOPH-375	-35 °C ~ 85 °C
KA3012D-02TF	28-SSOPH-375	-35 °C ~ 85 °C

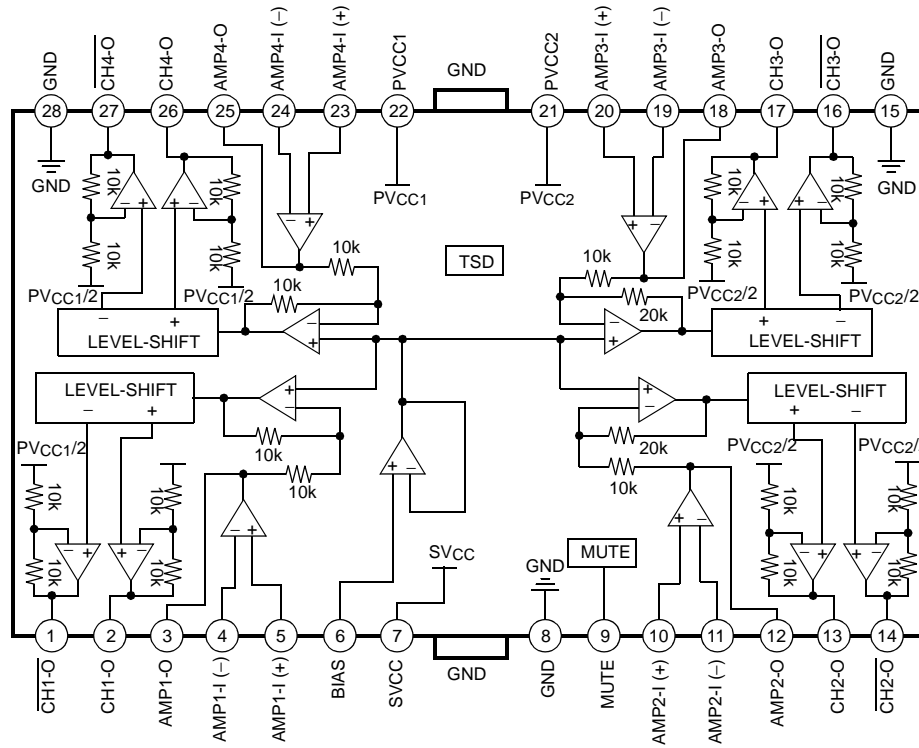
## Pin Assignments



## Pin Definitions

Pin Number	Pin Name	I/O	Pin Function Description
1	CH1-O	O	Drive CH 1 output (-)
2	CH1-O	O	Drive CH 1 output (+)
3	AMP1-O	O	Op-amp CH 1 output
4	AMP1-I(-)	I	Op-amp CH 1 input (-)
5	AMP1-I(+)	I	OP-amp CH 1 input (+)
6	BIAS	I	Bias input
7	SVCC	-	Supply voltage (Signal)
8	GND	-	Ground
9	MUTE	I	Mute
10	AMP2-I(+)	I	OP-amp CH 2 input (+)
11	AMP2-I(-)	I	Op-amp CH 2 input (-)
12	AMP2-O	O	Op-amp CH 2 output
13	AMP2-O	O	OP-amp CH 2 output (+)
14	CH2-O	O	Op-amp CH 2 output (Op-amp CH 2 output)
15	GND	-	Ground
16	CH3-O	O	Drive CH 3 output (-)
17	CH3-O	O	Drive CH 3 output (+)
18	AMP3-O	O	OP-amp CH 3 output
19	AMP3-I(-)	I	Drive CH 3 input (-)
20	AMP3-I(+)	I	Drive CH 3 input (+)
21	PVCC2	-	Supply voltage (CH 2 & CH 3)
22	PVCC1	-	Supply voltage (CH1 & CH 4)
23	AMP4-I(+)	I	OP-amp CH 4 input (+)
24	AMP4-I(-)	I	Op-amp CH 4 input (-)
25	AMP4-O	O	Op-amp CH 4 output
26	CH4-O	O	Drive CH 4 output (+)
27	CH4-O	O	Drive CH 4 output (-)
28	GND	-	Ground

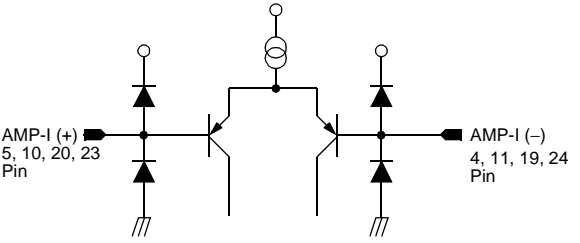
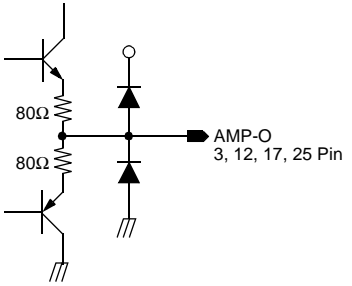
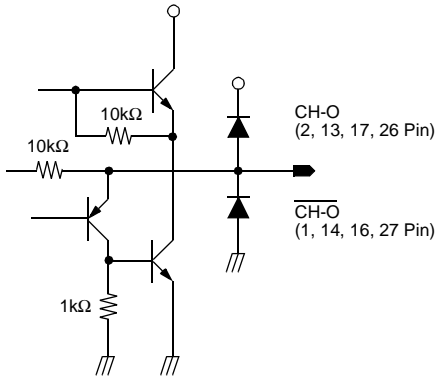
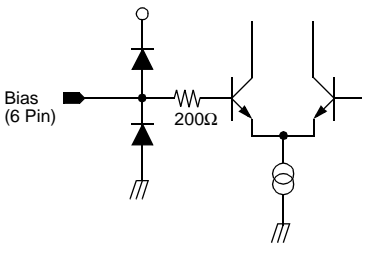
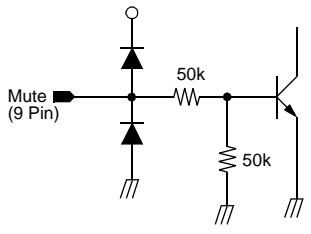
## Internal Block Diagram



**NOTE:**

The drive channel outputs are determined pre OP-amp output.

# Equivalent Circuits

Op-amp input	Op-amp output
 <p>AMP-I (+) 5, 10, 20, 23 Pin</p> <p>AMP-I (-) 4, 11, 19, 24 Pin</p>	 <p>AMP-O 3, 12, 17, 25 Pin</p>
Drive output	Bias
 <p>CH-O (2, 13, 17, 26 Pin)</p> <p>CH-O (1, 14, 16, 27 Pin)</p>	 <p>Bias (6 Pin)</p>
Mute	
 <p>Mute (9 Pin)</p>	

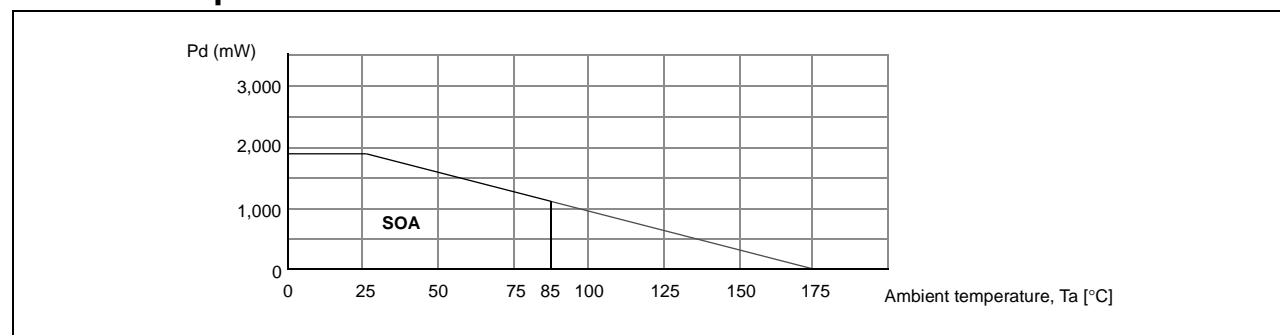
## Absolute Maximum Rating (Ta = 25°C)

Parameter	Symbol	Value	Unit
Supply voltage	V <sub>CC</sub>	15	V
Power dissipation	P <sub>D</sub>	1.7 <sup>note</sup>	W
Operating temperature range	T <sub>OPR</sub>	-35 ~ +85	°C
Storage temperature range	T <sub>STG</sub>	-55 ~ +150	°C

### NOTE:

1. When mounted on 50mm × 50mm × 1mm PCB (Phenolic resin material).
2. Power dissipation reduces 13.6mW / °C for using above Ta=25°C.
3. Do not exceed P<sub>D</sub> and SOA (Safe operating area).

## Power Dissipation Curve



## Recommended Operating Condition (Ta = 25°C)

Parameter	Symbol	Min.	Typ.	Max.	Unit
Supply voltage	SV <sub>CC</sub> , V <sub>CC1</sub> , V <sub>CC2</sub>	4.5	-	13.2	V

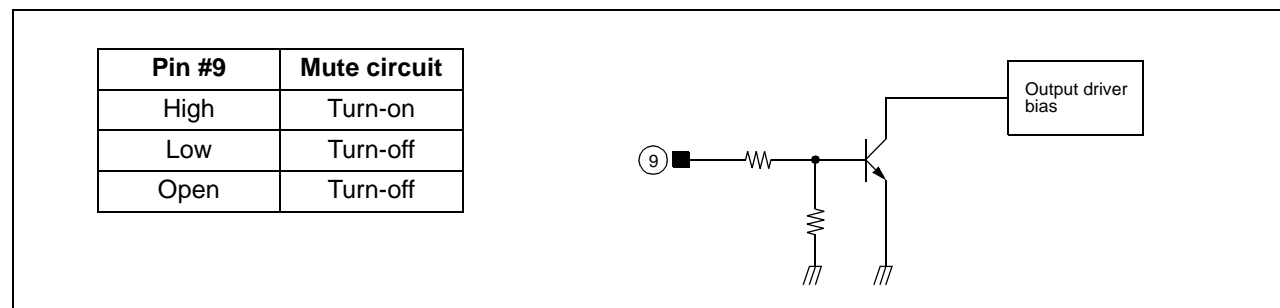
## Electrical Characteristics

( $T_a=25^\circ\text{C}$ ,  $V_{CC1}=V_{CC2}=5\text{V}$ ,  $R_L=8\Omega$ )

Parameter	Symbol	Conditions	Min.	Typ.	Max.	Units
<b>DRIVE CIRCUIT</b>						
Quiescent current 1	$I_{CC1}$	No load, Mute off	-	15	20	mA
Quiescent current 2	$I_{CC2}$	No load, Mute on	-	-	500	$\mu\text{A}$
Output offset voltage 1	$V_{OO1}$	CH 1, CH 4	-70	0	70	mV
Output offset voltage 2	$V_{OO2}$	CH 2, CH 3	-90	-	90	mV
Max.output amplitude 1	$V_{OM1}$	CH 1, CH 4	3	4.2	-	V
Max.output amplitude 2	$V_{OM2}$	CH 2, CH 3 ( $R_L=24\Omega$ )	8	10.4	-	V
Voltage gain 1	$G_{VC1}$	$V_{IN}=0.1V_{RMS}$ , 1kHz, sinewave. Input OP-amp → Buffer CH 1, CH 4	10	12.0	14	dB
Voltage gain 2	$G_{VC2}$	$V_{IN}=0.1V_{RMS}$ , 1kHz, sinewave. Input OP-amp → Buffer CH 2, CH 3	16	18	20	dB
Mute on voltage	$V_{Mon}$	-	2.0	-	-	V
Mute off voltage	$V_{Moff}$	-	-	-	0.5	V
<b>INPUT OP-AMP CIRCUIT</b>						
Input offset voltage	$V_{OFOP}$	-	-10	0	10	mV
Input bias current	$I_{BOP}$	-	-	-	300	nA
High level output voltage	$V_{OHOP}$	-	10	10.9	-	V
Low level output voltage	$V_{OLOP}$	-	-	1.1	1.8	V
Output driving current sink	$I_{SINK}$	Input op-amp output → $V_{CC}$ & $1.2k\Omega$	1	-	-	mA
Output driving current source	$I_{SOURCE}$	Input op-amp output → GND & $1.2k\Omega$	1	-	-	mA
Slew rate	SR	100kHz square-wave 2Vp-p output	-	1	-	$\text{V} / \mu\text{s}$

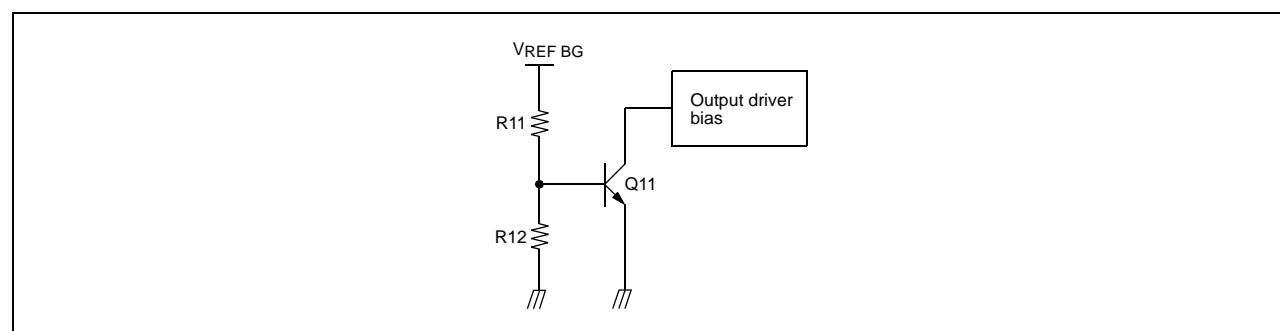
## Application Information

### 1. MUTE



- When the voltage level of the mute pin is above 2V, the mute circuit is activated so that the output circuit will be muted.
- When the mute pin #9 is open or the voltage of the mute pin #9 is below 0.5V, the mute circuit is deactivated and the output circuit operates normally.
- When the mute circuit is activated, the voltage level of output pins becomes  $1/2V_{CC}$  (approximately).

### 2. TSD (THERMAL SHUTDOWN)

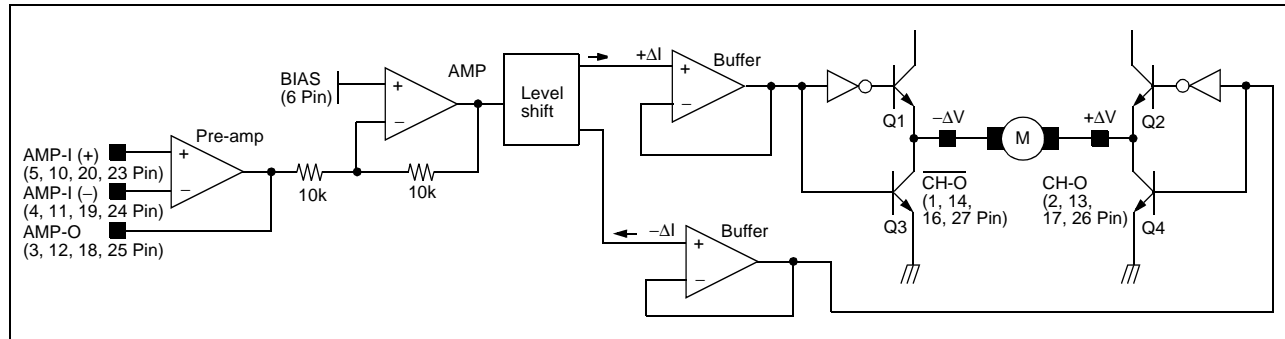


- If the chip temperature rises above 175°C, then the TSD (Thermal shutdown) circuit is activated and the output circuit is muted.
- The  $V_{REF\ BG}$  is the output voltage of the band-gap-referenced bias in circuit and acts as the input voltage of the TSD circuit.
- The base-emitter voltage of the TR,Q11 is designed to turn-on at 460mA.  

$$V_{BE} = V_{REF\ BG} \times R12 / (R11 + R12) = 460mV$$
- When the chip temperature rises up to 175°C, the turn-on voltage of the Q11 drops down to 460mV. (Hysteresis: 25°C) and Q11 turns on so the output circuit is muted.



### 3. DRIVER

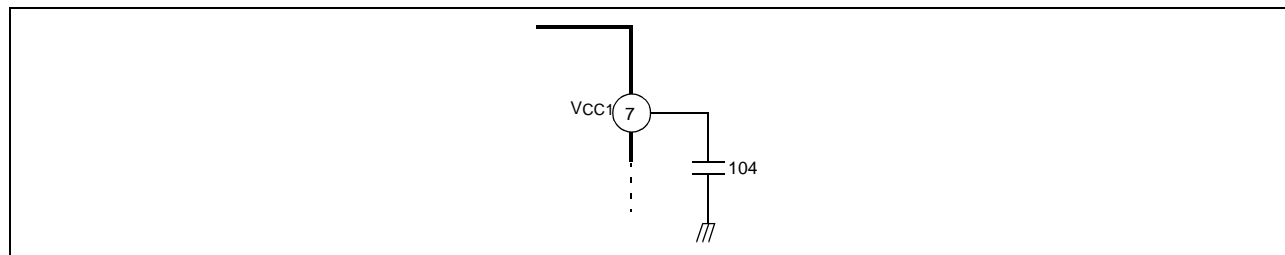


- The gain of pre-op. Amplifier can be changed by manipulating amp input resistor or feedback resistor.
- The voltage,  $V_{REF}$ , is the reference voltage given by the bias voltage of the pin #6.
- The level shift produces the current due to the difference between the pre amp output signal and the arbitrary reference (bias) signal. (The current produced as  $+\Delta I$  and  $-\Delta I$  is fed into the driver buffer. (CH1/CH4)  
The current produced as  $+2\Delta I$  and  $-2\Delta I$  is fed into the driver buffer. (CH2/CH3)
- Driver buffer drives the power TR of the output stage according to the state of the input signal.
- The output stage is the BTL driver and the motor is rotating in forward direction by operating TR Q1 and TR Q4. On the other hand, if TR Q2 and TR Q3 is operating, the motor is rotating in reverse direction.
- When the output voltage of Pre-Amp (Pin 3, 12, 18, 25) is below the  $V_{REF}$ , then the direction of the motor is in forward.
- When the output voltage of Pre-Amp (Pin 3, 12, 18, 25) is above the  $V_{REF}$ , then the direction of the motor in reverse.
- The gain ( $A_V$ ) of the drive circuit is as follows.

$$A_V = 20 \log \left[ \frac{4V_{IN}}{V_{IN}} \right] = 12(\text{dB}) \quad (\text{CH1/CH4})$$

$$A_V = 20 \log \left[ \frac{-4V_{IN}}{V_{IN}} \right] = 18(\text{dB}) \quad (\text{CH1/CH4})$$

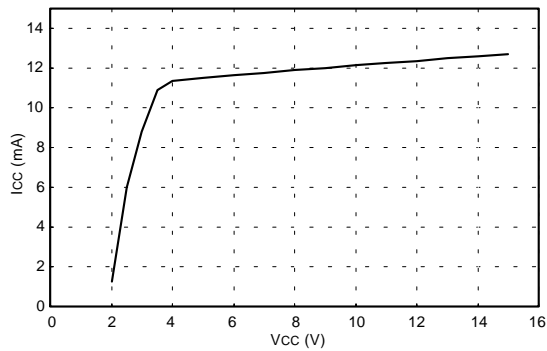
### 4. CONNECT A BY-PASS CAPACITOR, 0.1 $\mu$ F BETWEEN THE SUPPLY VOLTAGE SOURCE.



### 5. RADIATION FIN IS CONNECTING TO THE INTERNAL GND OF THE PACKAGE. CONNECT THE FIN TO THE EXTERNAL GND.

## Typical Performance Characteristics

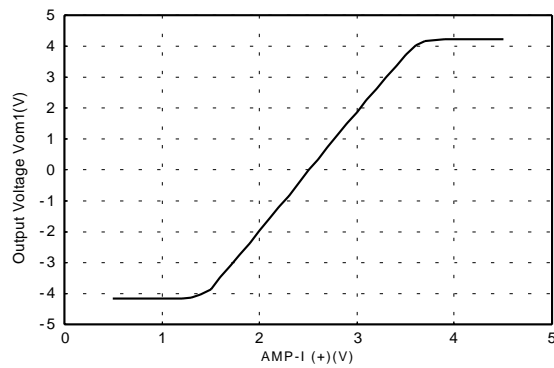
### VCC vs ICC (No load)



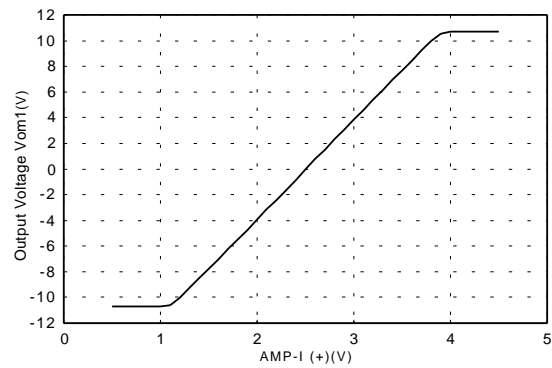
### AMP-I (+) vs OUTPUT VOLTAGE

Figures can be obtained by changing of AMP-I (+) from 0V to 5V, shows the voltage difference between CH-O and CH-O. (AMP-I (+) and AMP-O are shorted.)

1. CH 1 and CH 4 (12dB)

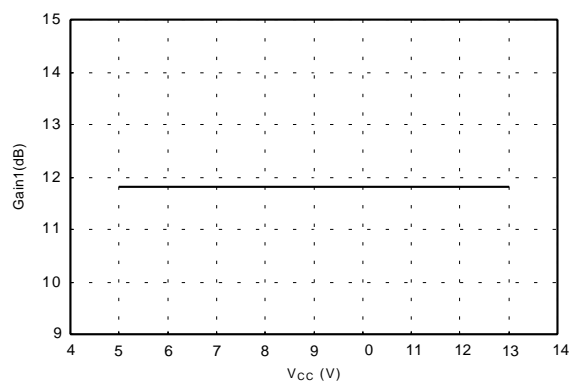


2. CH 2 and CH 3 (18dB)

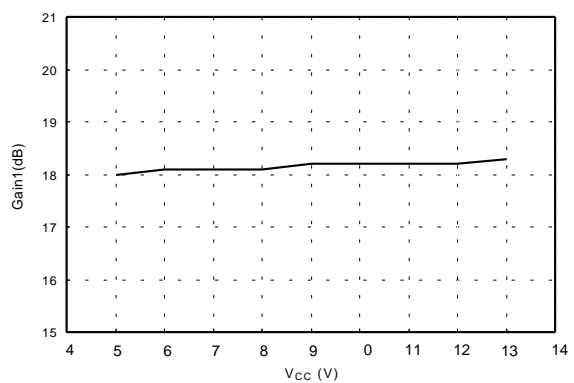


### VCC vs Gain

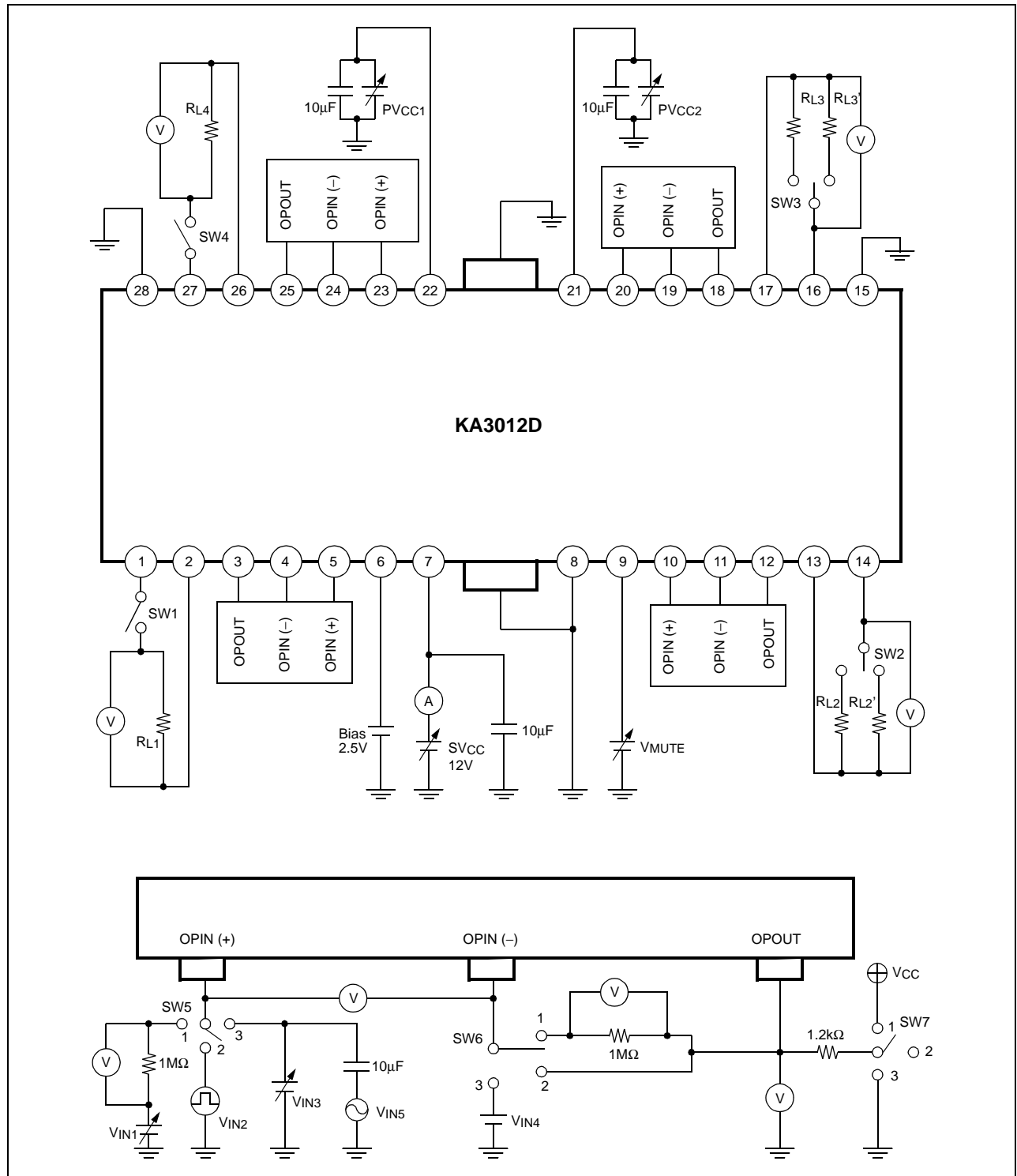
1. CH 1 and CH 4 (12dB)



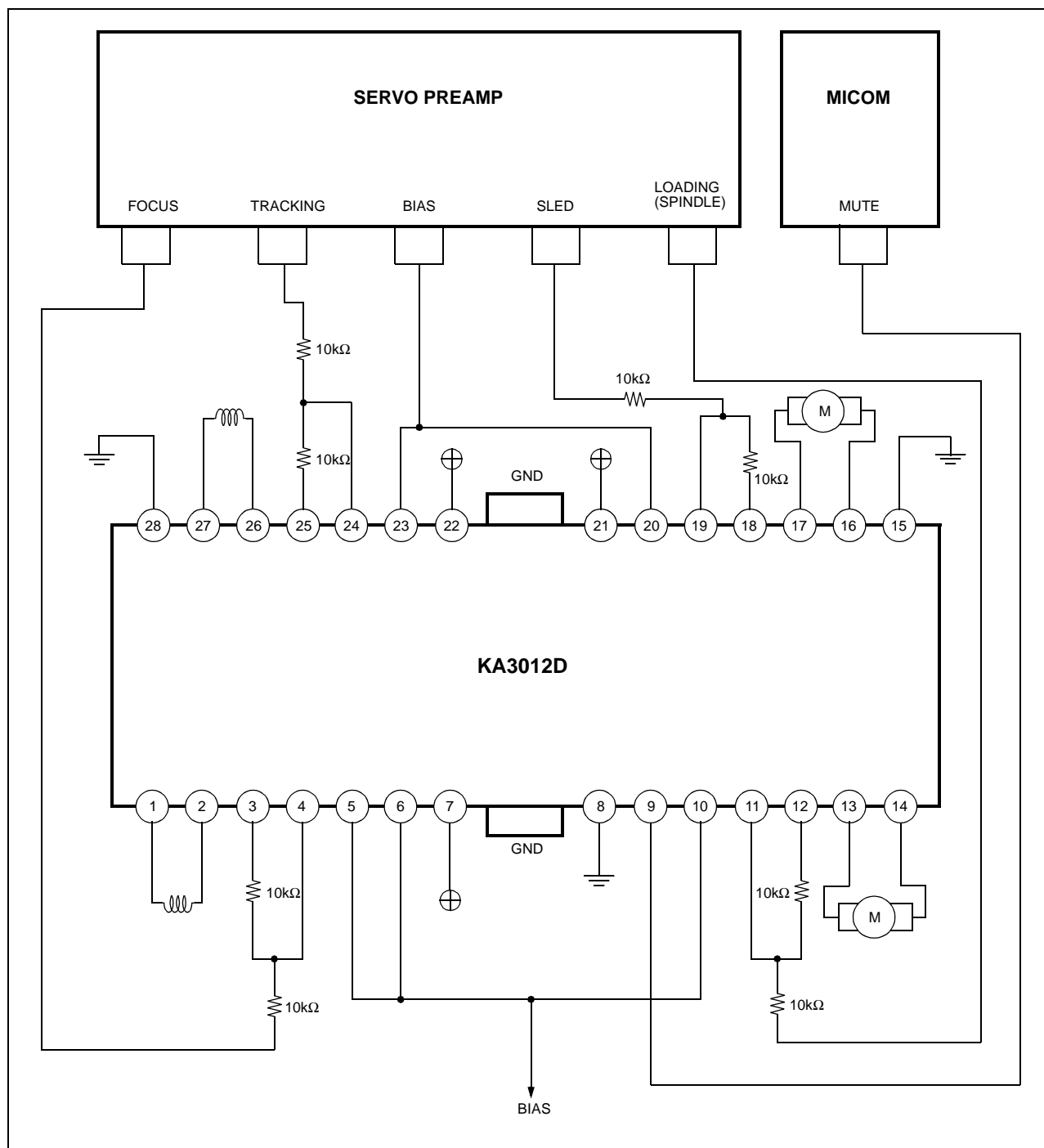
2. CH 2 and CH 3 (18dB)



# Test Circuits



## Typical Application Circuits



**DISCLAIMER**

FAIRCHILD SEMICONDUCTOR RESERVES THE RIGHT TO MAKE CHANGES WITHOUT FURTHER NOTICE TO ANY PRODUCTS HEREIN TO IMPROVE RELIABILITY, FUNCTION OR DESIGN. FAIRCHILD DOES NOT ASSUME ANY LIABILITY ARISING OUT OF THE APPLICATION OR USE OF ANY PRODUCT OR CIRCUIT DESCRIBED HEREIN; NEITHER DOES IT CONVEY ANY LICENSE UNDER ITS PATENT RIGHTS, NOR THE RIGHTS OF OTHERS.

**LIFE SUPPORT POLICY**

FAIRCHILD'S PRODUCTS ARE NOT AUTHORIZED FOR USE AS CRITICAL COMPONENTS IN LIFE SUPPORT DEVICES OR SYSTEMS WITHOUT THE EXPRESS WRITTEN APPROVAL OF THE PRESIDENT OF FAIRCHILD SEMICONDUCTOR INTERNATIONAL. As used herein:

1. Life support devices or systems are devices or systems which, (a) are intended for surgical implant into the body, or (b) support or sustain life, and (c) whose failure to perform when properly used in accordance with instructions for use provided in the labeling, can be reasonably expected to result in a significant injury of the user.
2. A critical component in any component of a life support device or system whose failure to perform can be reasonably expected to cause the failure of the life support device or system, or to affect its safety or effectiveness.