

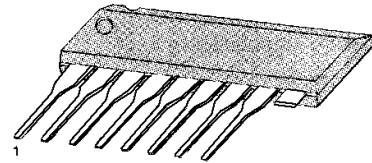
DUAL LOW NOISE EQUALIZER AMPLIFIER

The KA2221 is a monolithic integrated circuit consisting of 2-channel low noise amplifiers and regulated power supply for car stereos.

FEATURES

- Suitable for car stereos.
- Low noise amplifier.
- Voltage regulator included.
- Good ripple rejection.
- High channel separation (65dB Typ).
- Minimum number of external parts required.

8 SIP



ORDERING INFORMATION

Device	Package	Operating Temperature
KA2221	8 SIP	-20°C ~ +70°C

BLOCK DIAGRAM

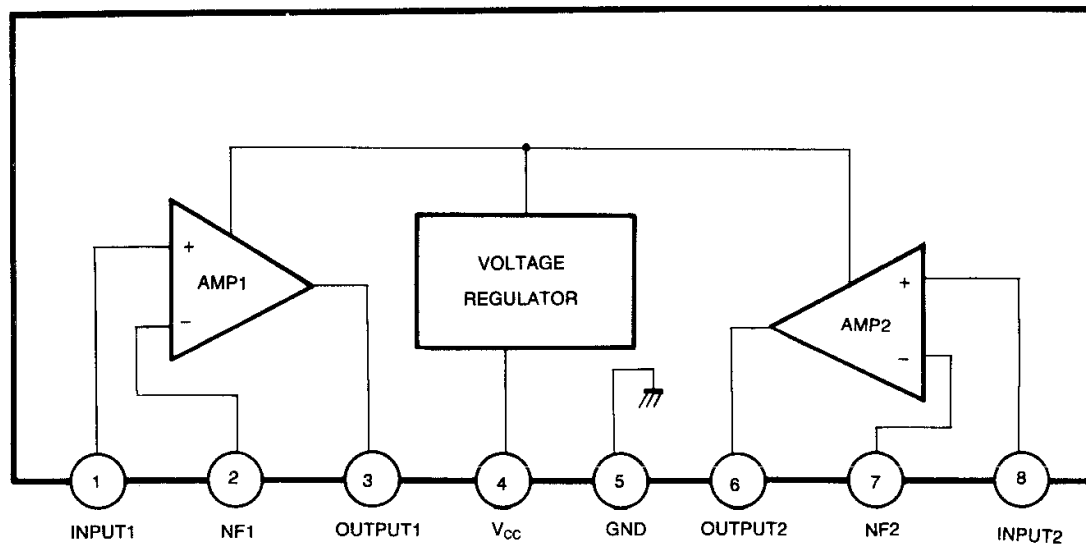


Fig. 1

ABSOLUTE MAXIMUM RATINGS ($T_a = 25^\circ\text{C}$)

Characteristic	Symbol	Value	Unit
Supply Voltage	V_{CC}	18	V
Power Dissipation	P_D	200	mW
Operating Temperature	T_{OPR}	-20 ~ +70	$^\circ\text{C}$
Storage Temperature	T_{STG}	-40 ~ +125	$^\circ\text{C}$

ELECTRICAL CHARACTERISTICS

($T_a = 25^\circ\text{C}$, $V_{CC} = 12\text{V}$, $R_L = 10\text{K}\Omega$, $f = 1\text{KHz}$, NAB, unless otherwise specified)

Characteristic	Symbol	Test Conditions	Min	Typ	Max	Unit
Quiescent Circuit Current	I_{CCQ}	$V_i = 0$		6.0	9.0	mA
Open Loop Voltage Gain	G_{VO}		65	80		dB
Closed Loop Voltage Gain	G_{VC}	$V_O = 0.5\text{V}$	33	35	37	dB
Output Voltage	V_O	THD=1%	0.6	1.0		V
Total Harmonic Distortion	THD	$V_O = 0.5\text{V}$		0.1	0.3	%
Input Resistance	R_i			150		$\text{K}\Omega$
Equivalent Input Noise Voltage	V_{NI}	$R_G = 2.2\text{K}\Omega$ $\text{BW} (-3\text{dB}) = 15\text{Hz} \sim 30\text{KHz}$		1.0	2.0	μV
Cross Talk	CT	$R_G = 2.2\text{K}\Omega$	50	65		dB

TEST CIRCUIT

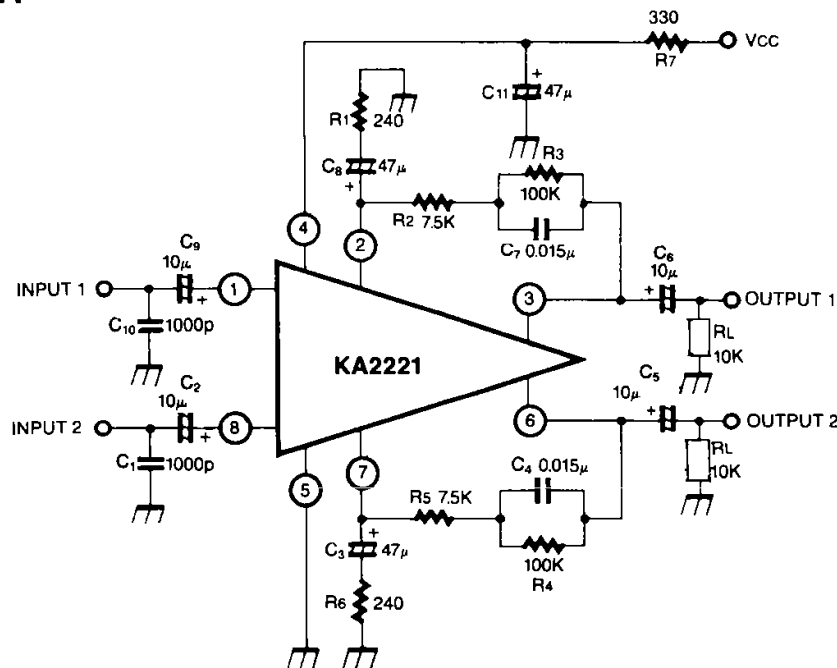
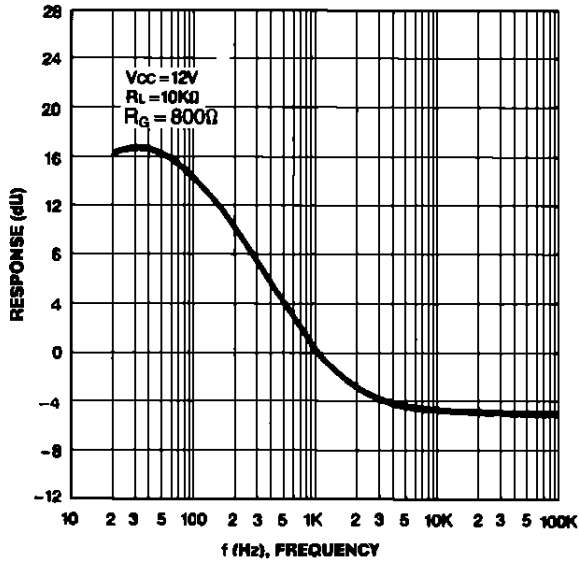
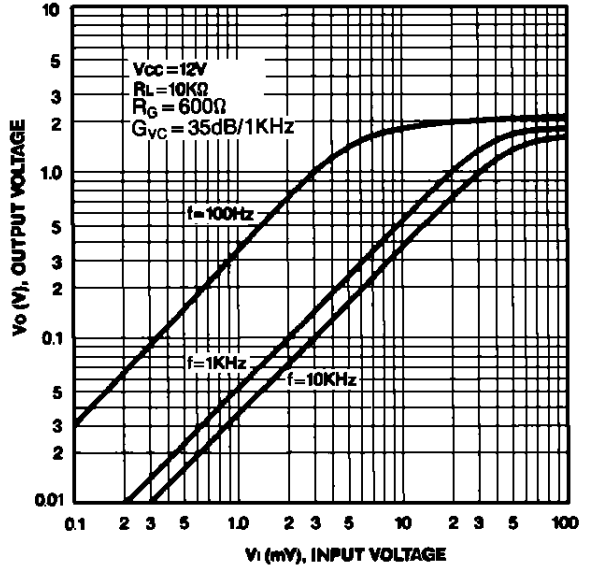


Fig. 2

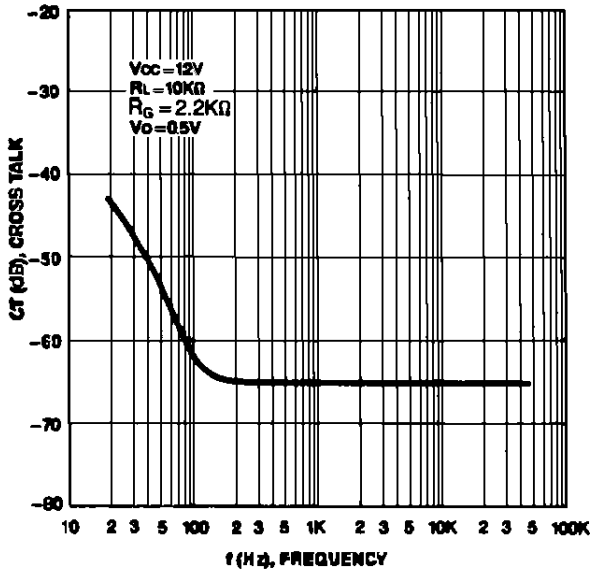
FREQUENCY RESPONSE



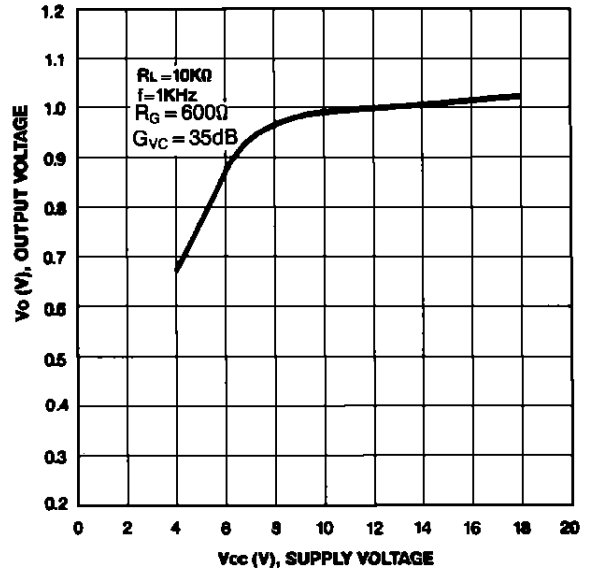
OUTPUT VOLTAGE-INPUT VOLTAGE



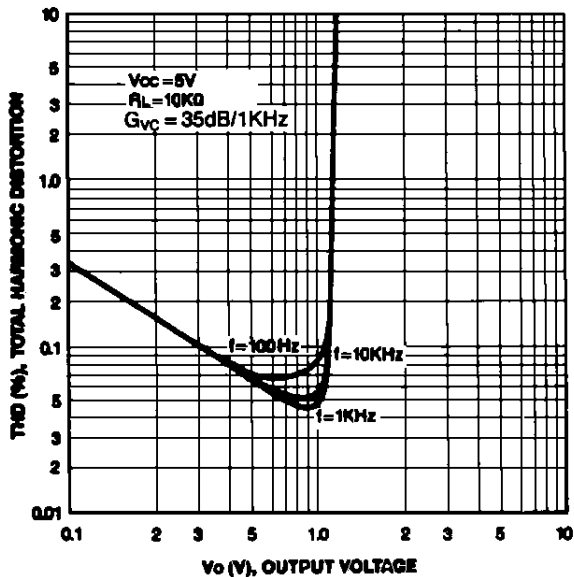
CROSS TALK-FREQUENCY



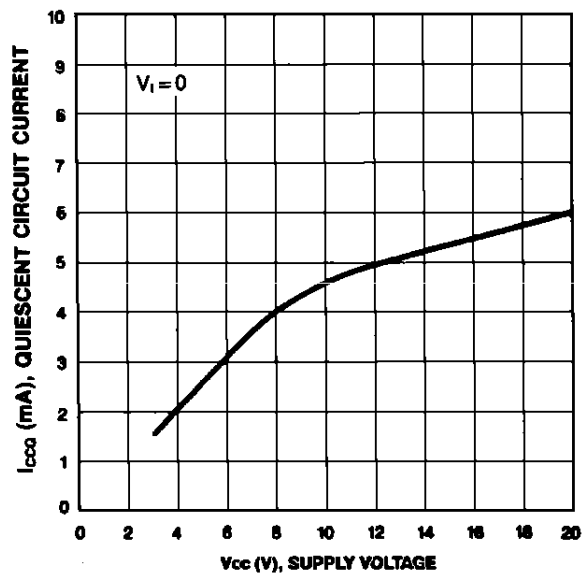
OUTPUT VOLTAGE-SUPPLY VOLTAGE



TOTAL HARMONIC DISTORTION-OUTPUT VOLTAGE



QUIESCENT CIRCUIT CURRENT-SUPPLY VOLTAGE



APPLICATION INFORMATION

External Components (Refer to test circuits)

C_1 (C_{10}): Noise filter

These capacitors prevent radio interference in strong electric fields. The recommended value is 1000pF.

C_2 (C_9): Input coupling capacitor

The recommended value is 10 μ F. If made too small, the low frequency characteristics will change for the worse, but too large a value will increase the rising time when power is applied.

C_3 (C_8): Negative feedback capacitor

The lower cut-off frequency depends on the value of these capacitors and is determined as follows:

$$C_3 (C_8) = \frac{1}{2\pi f_L \cdot R_1 (R_6)}$$

f_L : Low cut-off frequency

If the value of these capacitors is made larger, the starting time of amplifier is delayed further.

C_5 (C_6): Output coupling capacitor

The recommended value is 10 μ F.

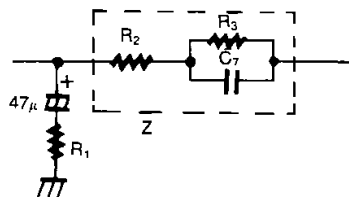
R_2, R_3, C_7 (R_4, R_5, C_4): Equalizer network

The time constants of standard NAB characteristic are follow.

Tape speed	9.5cm/sec	4.75cm/sec
$C_7 (R_2 + R_3)$	3180 μ sec	1590 μ sec
R_2, C_7	90 μ sec	120 μ sec

R_1 (R_6): Feedback component

The closed loop gain is determined approximately by the following relationship.



$$G_{VC} = 20 \log \frac{Z + R_1}{R_1} \quad (\text{dB})$$

$$Z = R_2 + R_3 // C_7$$

* Choose R_2, R_3 , (DC resistance of NAB element) as 100K Ω approximately.