

Dual Band Power Amplifier



The ISL3990 is a Dual Band monolithic GaAs Power Amplifier designed to operate in both the ISM and U-NII

Bands. It features two low voltage single supply stages which cascaded deliver 21dBm (Typ) output power for ISM, and three stages which deliver 16 dBm (Typ) for U-NII OFDM applications.

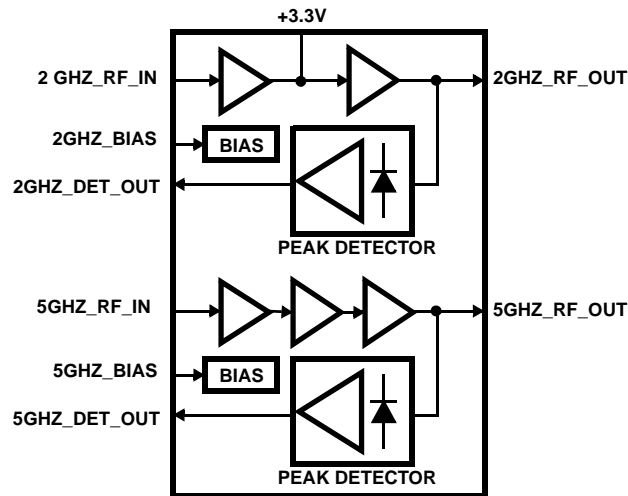
In addition, the device includes a Dual Band detector which is accurate over a 15dB dynamic range within (\pm)1dB, which can be used to implement an accurate ALC function.

The ISL3990 is housed in a 24 lead QFN package.

Ordering Information

PART NUMBER	TEMP RANGE (°C)	PACKAGE	PKG. NO.
ISL3990IR	-40 to 85	24 Ld. QFN	L24.4x4
ISL3990IR-TK	-40 to 85	Tape and Reel (1000 units)	

Simplified Block Diagram



Features

- Single Supply 2.7V to 3.6V
- Output Power 21dBm (Typ)
- Power Gain 28dB (Typ)
- Detector Linear Input Power Range 15dB
- Detector Accuracy \pm 1dB

QFN Package

- Compliant to JEDEC PUB95 MO-220 QFN - Quad Flat No Leads - Package Outline
- Near Chip Scale Package footprint, which improves PCB efficiency and has a thinner profile

Applications

- Systems Targeting IEEE802.11a/b/g WLANs
- Wireless Local Area Networks (WLAN)
- PCMCIA Wireless Transceivers
- ISM Systems Including Automatic Level Control (ALC)
- TDMA Packet Protocol Radios

Pinout

