

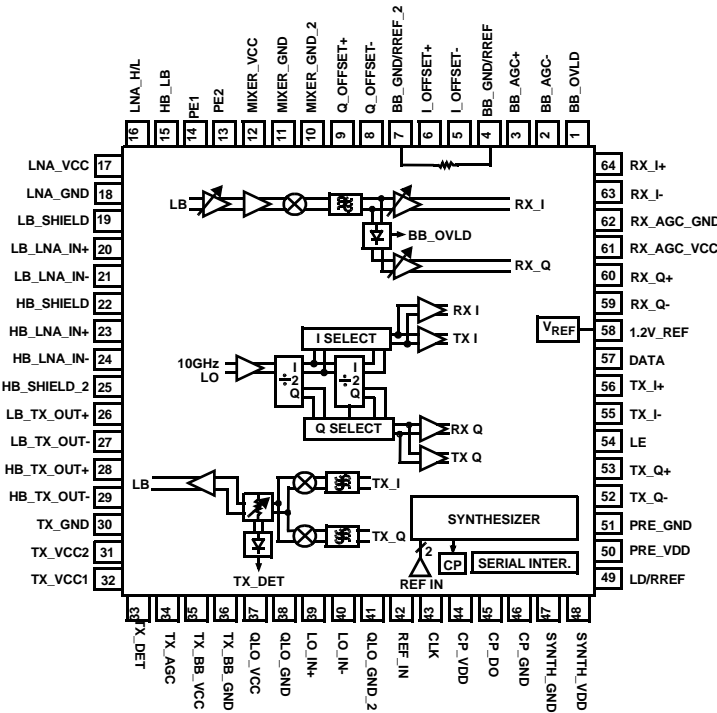
**Dual Band Direct Conversion Transceiver**



The Intersil ISL3690 is a highly integrated UHF2 process, DUAL BAND direct conversion transceiver and is part of a 2.4/5.2GHz, IEEE802.11a/b/g compliant radio chipset. The ISL3690 directly interfaces with Intersil's ISL3890 Medium Access Controller with Integrated Baseband processor. The addition of Intersil's ISL3990 power amplifier and ISL3090 10GHz VCO completes a WLAN transceiver application.

**Pinout**

**ISL3690 (QFN)  
TOP VIEW**



**Features**

- Highly integrated Dual Band RF to baseband solution
- Frequency of operation . 2.4 to 2.5GHz or 5.15 to 5.35GHz
- Low supply operation . . . . . 2.7 to 3.3V
- Noise figure . . . . . 5.4dB
- TX OFDM Output Power . . . . . -5dBm
- TX I/Q MTPR, PAR=12 . . . . . -45dB
- RX Voltage gain . . . . . 0 to 74dB
- RX I/Q MTPR, PAR=12, High Gain . . . . . -35dB
- TX/RX switching speed . . . . . <1µs
- Direct simple interface to ISL3890
- QFN Package:
  - Compliant to JEDEC PUB95 MO-220
  - QFN - Quad Flat No Leads - Package Outline
  - Near Chip Scale Package footprint, which improves PCB efficiency and has a thinner profile

**Applications**

- PC card wireless LAN adapters
- High data rate wireless LAN systems targeting IEEE802.11 a/b/g standards
- Spread spectrum Dual Band WLAN RF modems
- TDMA or CSMA packet protocol Dual Band radios
- PCI wireless LAN cards
- ISA, ISA PnP WLAN cards

**Ordering Information**

PART NUMBER	TEMP. RANGE (°C)	PACKAGE	PKG. NO.
ISL3690IR	-40 to 85	64 Ld QFN	L64.9x9
ISL3690IR-TK	Tape and Reel		