

# 3-channel BTL driver for CDs, CD-ROMs, DVDs and DVD-ROMs

## BA5932FP

The BA5932FP is a 3-channel BTL driver designed for CD and DVD player actuators and loading drives. The actuator drive can be set to the desired gain and f characteristic with attached components, making this IC adaptable for a wide array of applications.

●Applications

CD and DVD players, CD-ROM drives, DVD-ROM drives, and other optical disc devices

●Features

- 1) 28-pin HSOP package for application miniaturization.
- 2) Gain is adjustable with an attached resistor.
- 3) Positive and negative input pins, for a wide range of input types, including reverse phase input.

●Absolute maximum ratings (Ta = 25°C)

Parameter	Symbol	Limits	Unit
Power supply voltage	V <sub>CC</sub>	18	V
Power dissipation	P <sub>d</sub>	1.8* <sup>1</sup> 2.9* <sup>2</sup>	W
Rated current	I <sub>oMax.</sub>	1.4* <sup>3</sup>	A
Operating temperature range	T <sub>opr</sub>	-35~+85	°C
Storage temperature range	T <sub>stg</sub>	-55~+150	°C

\*1 When mounted on a 70 mm × 70 mm × 1.6 mm glass epoxy board with less than 3% copper foil

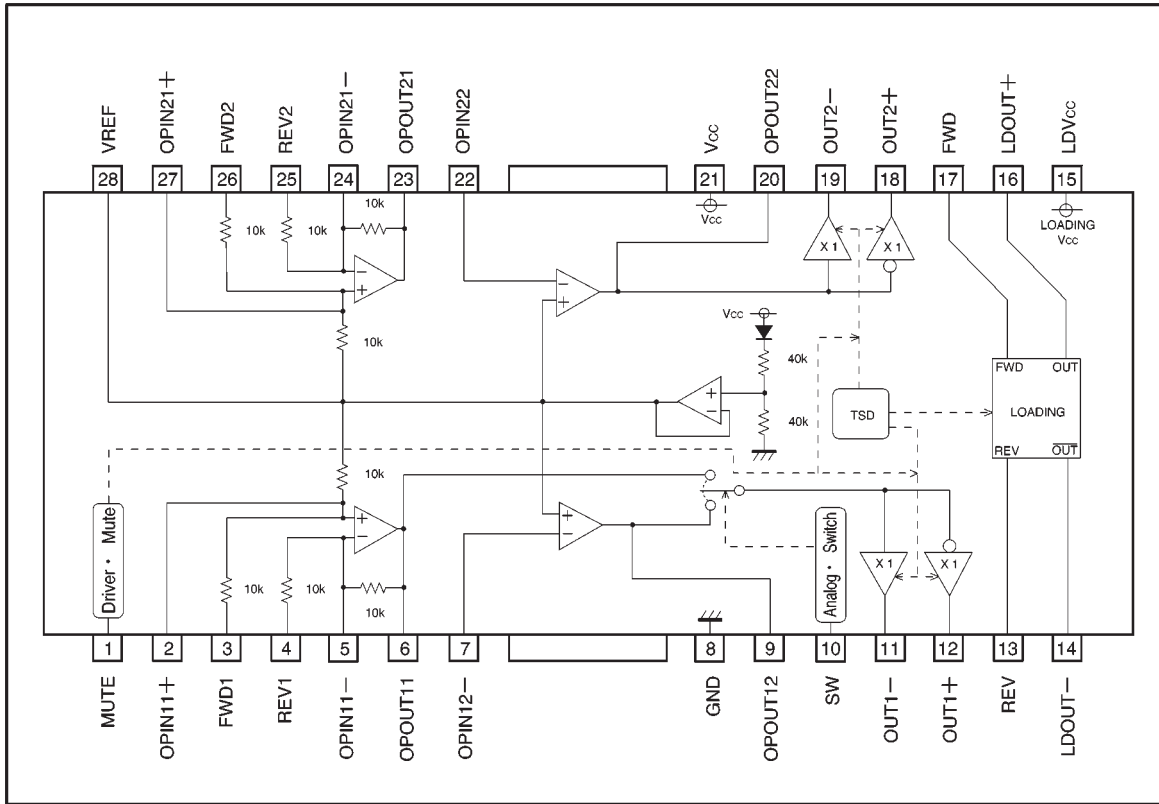
\*2 When mounted on a 70 mm × 70 mm × 1.6 mm glass epoxy board with less than 60% copper foil

\*3 Within the range of power dissipation and safe operational area (ASO)

●Recommended operating conditions (Ta = 25°C)

Parameter	Symbol	Limits	Unit
Power supply voltage	V <sub>CC</sub>	4.5~13.5	V
Loading supply voltage	LDV <sub>CC</sub>	1.5~V <sub>CC</sub>	V

● Block diagram



## ● Pin descriptions

Pin No.	Pin name	Function
1	MUTE	Mute pin
2	OPIN11+	Operational amplifier non-inverted input
3	FWD1	Forward input
4	REV1	Reverse input
5	OPIN11-	Operational amplifier inverted input
6	OPOUT11	Operational amplifier output
7	OPIN12-	Operational amplifier inverted input
8	GND	Substrate ground
9	OPOUT12	Operational amplifier output
10	SW	Analog switch input
11	OUT1-	Driver output
12	OUT1+	Driver output
13	REV	Loading reverse input
14	LDOUT-	Loading negative output
15	LDV <sub>cc</sub>	V <sub>cc</sub> (loading / output H bridge)
16	LDOUT+	Loading positive output
17	FWD	Loading forward input
18	OUT2+	Driver output
19	OUT2-	Driver output
20	OPOUT22	Operational amplifier output
21	V <sub>cc</sub>	V <sub>cc</sub> (biaxial driver, loading predrive)
22	OPIN22	Operational amplifier inverted input
23	OPOUT21	Operational amplifier output
24	OPIN21-	Operational amplifier inverted input
25	REV2	Reverse input
26	FWD2	Forward input
27	OPIN21+	Operational amplifier non-inverted input
28	VREF	Reference voltage output

●Electrical characteristics (unless otherwise noted,  $T_a = 25^\circ\text{C}$ ,  $V_{CC} = 12\text{V}$ ,  $LDV_{CC} = 5\text{V}$ ,  $R_L = 8\Omega$ )

Parameter	Symbol	Min.	Typ.	Max.	Unit	Conditions
Quiescent current dissipation 1	$I_{Q1}$	—	10.5	15.5	mA	No load, loading open mode
Quiescent current dissipation 2	$I_{Q2}$	—	15.0	30.0	mA	No load, loading forward / reverse mode
Quiescent current dissipation 3	$I_{Q3}$	—	18.0	28.0	mA	No load, loading brake mode
Loading supply current	$I_L$	—	—	10	$\mu\text{A}$	$V_{CC}$ open
〈Internal reference〉						
Output voltage	$V_{ref}$	5.40	5.70	6.00	V	
Maximum output (source)	$I_{OS0}$	10	15	—	mA	
Maximum output (sink)	$I_{OS1}$	10	40	—	mA	
〈Actuator driver〉						
Output voltage, offset	$V_{OO}$	−50	0	50	mV	
Maximum output amplitude	$V_{OM}$	7.5	8.5	—	V	
Closed loop voltage gain	$G_{VC}$	4.5	6.0	7.5	dB	
Ripple rejection	$RR$	—	60	—	dB	$v_{OSC}=0.1V_{rms}$ , 100Hz
〈Analog switch input〉						
Input high level voltage	$V_{IH}$	2.0	—	$V_{CC}$	V	
Input low level voltage	$V_{IL}$	−0.3	—	0.5	V	
Input high level current	$I_{IH}$	—	90	135	$\mu\text{A}$	$V_{IN}=5\text{V}$
Input low level current	$I_{IL}$	−10	0	10	$\mu\text{A}$	$V_{IN}=0\text{V}$
〈Loading driver〉						
Output saturation voltage 1	$V_{sat1}$	—	0.4	0.7	V	Total for upper and low, $I_L = 200\text{mA}$
Output saturation voltage 1 (forward / reverse differential)	$\Delta V_{sat1}$	—	—	0.1	V	Differential between forward and reverse output saturation voltage 1
Output saturation voltage 2	$V_{sat2}$	—	0.9	1.6	V	Output saturation voltage ( $I_L$ ) = 500 mA
Output saturation voltage 3 (reference)	$V_{sat3}$	—	1.0	1.3	V	$R_L=7.5\Omega$
〈Loading logic〉						
Input high level voltage	$V_{IHLD}$	2.0	—	$V_{CC}$	V	
Input low level voltage	$V_{ILLD}$	−0.3	—	0.5	V	
Input high level current	$I_{IHLD}$	—	180	270	$\mu\text{A}$	
Input low level current	$I_{ILLD}$	−10	0	10	$\mu\text{A}$	



●Application circuit

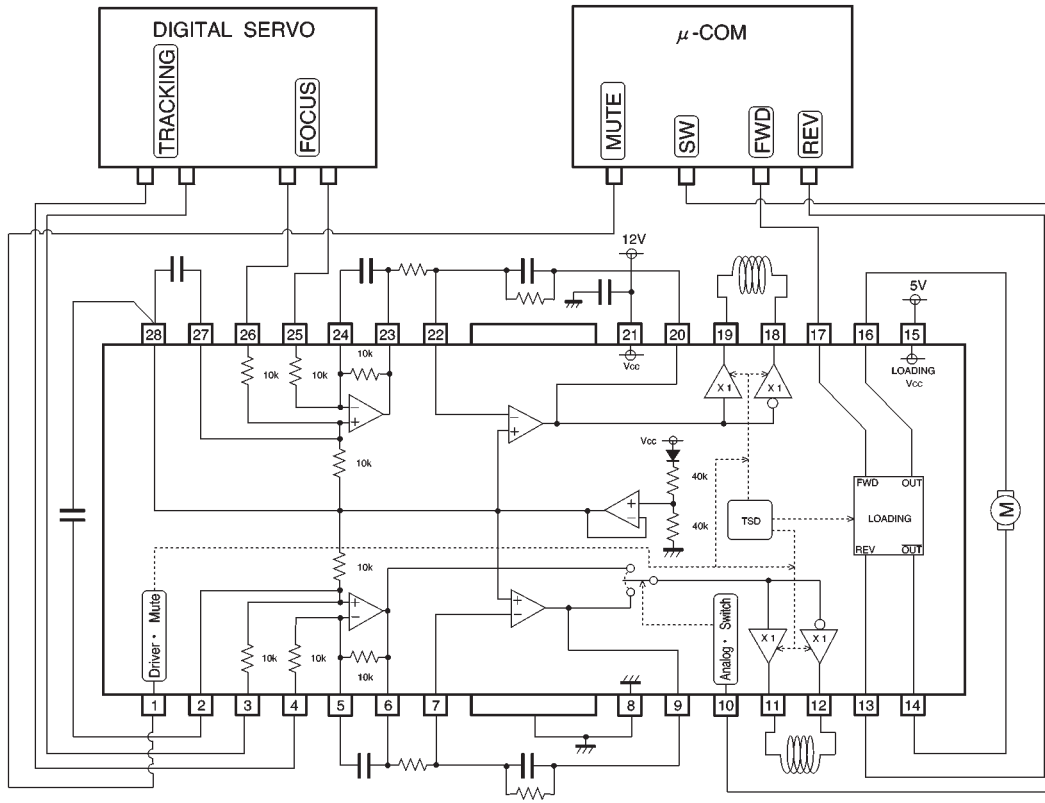


Fig. 2

●Operation notes

(1) Mute input (pin 1) truth table

Input	Function
L	Actuator driver mute ON
H	Actuator driver mute OFF

(2) Analog switch input (pin 10) truth table

Input	Function
L	Driver buffer input: to pin 6
H	Driver buffer input: to pin 9

(3) Loading driver logic input (pins 13, 17) truth table

FWD	REV	Function
L	L	Open mode
L	H	Reverse mode
H	L	Forward mode
H	H	Brake mode

(4) The BA5932FP has an internal thermal shutdown circuit. Output current is muted when the chip temperature exceeds 175°C (typically) and restored when the chip temperature falls to 150°C (typically).

(5) Connect the IC to a 0.1μF bypass capacitor to the power supply, at the base of the IC.

(6) Be sure to connect the radiating fin to an external ground.

●Electrical characteristic curves

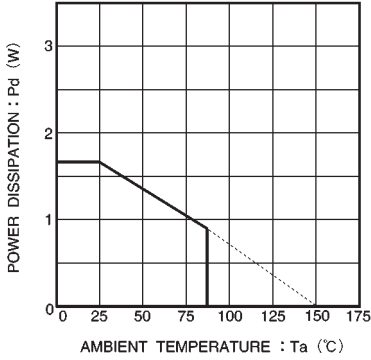


Fig. 3 Thermal derating curve

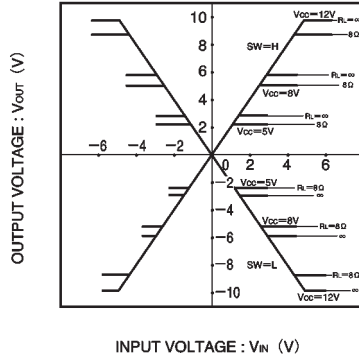


Fig. 4 Driver I/O characteristics (when load changes)

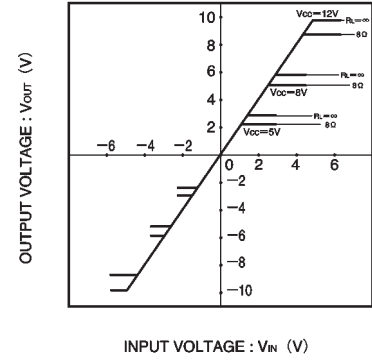


Fig. 5 Driver I/O characteristics (when supply voltage changes)

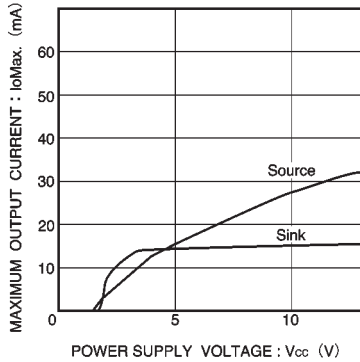


Fig. 6 Power supply voltage vs. Vref amplifier maximum output current

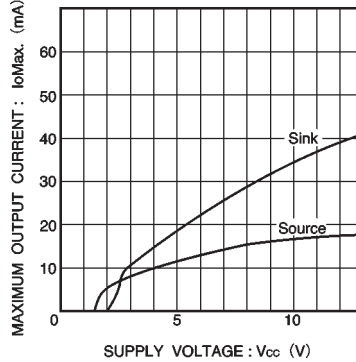


Fig. 7 Supply voltage vs. operational amplifier maximum output current

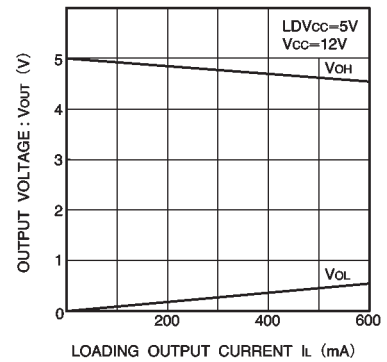


Fig. 8 Loading output current vs. output voltage

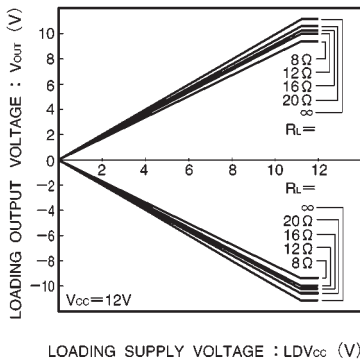


Fig. 9 Loading supply voltage vs. output voltage (variable load)

●External dimensions (Units: mm)

