

# *M68HC05 Microcontrollers*

*MC68HC705J1A  
MC68HRC705J1A  
MC68HSC705J1A  
MC68HSR705J1A*

*Technical Data*

*MC68HC705J1A/D  
Rev. 4, 5/2002*

**For More Information On This Product,  
Go to: [www.freescale.com](http://www.freescale.com)**

**Freescale Semiconductor, Inc.**

**Freescale Semiconductor, Inc.**

**For More Information On This Product,  
Go to: [www.freescale.com](http://www.freescale.com)**

**MC68HC705J1A**  
**MC68HRC705J1A**  
**MC68HSC705J1A**  
**MC68HSR705J1A**  
**Technical Data**

---

---

To provide the most up-to-date information, the revision of our documents on the World Wide Web will be the most current. Your printed copy may be an earlier revision. To verify you have the latest information available, refer to:

<http://www.freescale.com>

The following revision history table summarizes changes contained in this document. For your convenience, the page number designators have been linked to the appropriate location.

Revision History

Date	Revision Level	Description	Page Number(s)
May, 2002	4.0	<a href="#">Figure 2-2. I/O Register Summary</a> — Corrected reset state for last entry (Mask Option Register)	37
		<a href="#">Figure 2-4. Mask Option Register (MOR)</a> — Corrected reset state	41
		<a href="#">6.3.3 Pulldown Register A</a> — Corrected note	91
		<a href="#">6.4.3 Pulldown Register B</a> — Corrected note	94

**List of Sections**

**Section 1. General Description . . . . .21**

**Section 2. Memory . . . . .33**

**Section 3. Central Processor Unit (CPU) . . . . .45**

**Section 4. Resets and Interrupts . . . . .69**

**Section 5. Low-Power Modes. . . . .79**

**Section 6. Parallel Input/Output (I/O) Ports . . . . .87**

**Section 7. Computer Operating Properly  
(COP) Module . . . . .97**

**Section 8. External Interrupt Module (IRQ). . . . .101**

**Section 9. Multifunction Timer Module . . . . .109**

**Section 10. Electrical Specifications. . . . .117**

**Section 11. Mechanical Specifications . . . . .131**

**Section 12. Ordering Information . . . . .135**

**Appendix A. MC68HRC705J1A . . . . .137**

**Appendix B. MC68HSC705J1A . . . . .141**

**Appendix C. MC68HSR705J1A . . . . .145**

**Index. . . . . 151**



## Table of Contents

### Section 1. General Description

1.1	Contents . . . . .	21
1.2	Introduction . . . . .	22
1.3	Features . . . . .	24
1.4	Programmable Options . . . . .	25
1.5	Pin Assignments . . . . .	25
1.5.1	$V_{DD}$ and $V_{SS}$ . . . . .	25
1.5.2	OSC1 and OSC2 . . . . .	27
1.5.2.1	Crystal Oscillator . . . . .	27
1.5.2.2	Ceramic Resonator Oscillator . . . . .	28
1.5.2.3	RC Oscillator . . . . .	30
1.5.2.4	External Clock . . . . .	30
1.6	$\overline{\text{RESET}}$ . . . . .	30
1.7	$\overline{\text{IRQ}}/V_{PP}$ . . . . .	31
1.8	PA0–PA7 . . . . .	31
1.9	PB0–PB5 . . . . .	31

### Section 2. Memory

2.1	Contents . . . . .	33
2.2	Introduction . . . . .	33
2.3	Memory Map . . . . .	34
2.4	Input/Output Register Summary . . . . .	35
2.5	RAM . . . . .	37

2.6	EPROM/OTPROM .....	38
2.6.1	EPROM/OTPROM Programming .....	38
2.6.2	EPROM Programming Register .....	39
2.6.3	EPROM Erasing .....	40
2.7	Mask Option Register .....	40
2.8	EPROM Programming Characteristics .....	43

**Section 3. Central Processor Unit (CPU)**

3.1	Contents .....	45
3.2	Introduction .....	46
3.3	CPU Control Unit .....	46
3.4	Arithmetic/Logic Unit .....	46
3.5	CPU Registers .....	48
3.5.1	Accumulator .....	48
3.5.2	Index Register .....	48
3.5.3	Stack Pointer .....	49
3.5.4	Program Counter .....	50
3.5.5	Condition Code Register .....	50
3.6	Instruction Set .....	52
3.6.1	Addressing Modes .....	52
3.6.1.1	Inherent .....	52
3.6.1.2	Immediate .....	52
3.6.1.3	Direct .....	53
3.6.1.4	Extended .....	53
3.6.1.5	Indexed, No Offset .....	53
3.6.1.6	Indexed, 8-Bit Offset .....	53
3.6.1.7	Indexed, 16-Bit Offset .....	54
3.6.1.8	Relative .....	54
3.6.2	Instruction Types .....	55
3.6.2.1	Register/Memory Instructions .....	55
3.6.2.2	Read-Modify-Write Instructions .....	56
3.6.2.3	Jump/Branch Instructions .....	57
3.6.2.4	Bit Manipulation Instructions .....	59
3.6.2.5	Control Instructions .....	60



3.7 Instruction Set Summary .....61  
 3.8 Opcode Map .....66

**Section 4. Resets and Interrupts**

4.1 Contents .....69  
 4.2 Introduction .....69  
 4.3 Resets .....70  
 4.3.1 Power-On Reset .....71  
 4.3.2 External Reset .....72  
 4.3.3 COP Watchdog Reset .....72  
 4.3.4 Illegal Address Reset .....72  
 4.4 Interrupts .....73  
 4.4.1 Software Interrupt .....73  
 4.4.2 External Interrupt .....73  
 4.4.3 Timer Interrupts .....76  
 4.4.3.1 Real-Time Interrupt .....76  
 4.4.3.2 Timer Overflow Interrupt .....76  
 4.4.4 Interrupt Processing .....76

**Section 5. Low-Power Modes**

5.1 Contents .....79  
 5.2 Introduction .....79  
 5.3 Exiting Stop and Wait Modes .....80  
 5.4 Effects of Stop and Wait Modes .....81  
 5.4.1 Clock Generation .....81  
 5.4.2 CPU .....82  
 5.4.3 COP Watchdog .....82  
 5.4.4 Timer .....83  
 5.4.5 EPROM/OTPROM .....84  
 5.4.6 Data-Retention Mode .....84  
 5.5 Timing .....85

**Section 6. Parallel Input/Output (I/O) Ports**

6.1 Contents . . . . . 87

6.2 Introduction . . . . . 87

6.3 Port A . . . . . 89

6.3.1 Port A Data Register . . . . . 89

6.3.2 Data Direction Register A . . . . . 90

6.3.3 Pulldown Register A . . . . . 91

6.3.4 Port A LED Drive Capability . . . . . 92

6.3.5 Port A I/O Pin Interrupts . . . . . 92

6.4 Port B . . . . . 92

6.4.1 Port B Data Register . . . . . 92

6.4.2 Data Direction Register B . . . . . 93

6.4.3 Pulldown Register B . . . . . 94

6.5 5.0-Volt I/O Port Electrical Characteristics . . . . . 95

6.6 3.3-Volt I/O Port Electrical Characteristics . . . . . 95

**Section 7. Computer Operating Properly (COP) Module**

7.1 Contents . . . . . 97

7.2 Introduction . . . . . 97

7.3 Operation . . . . . 98

7.3.1 COP Watchdog Timeout . . . . . 98

7.3.2 COP Watchdog Timeout Period . . . . . 98

7.3.3 Clearing the COP Watchdog . . . . . 98

7.4 Interrupts . . . . . 99

7.5 COP Register . . . . . 99

7.6 Low-Power Modes . . . . . 100

7.6.1 Stop Mode . . . . . 100

7.6.2 Wait Mode . . . . . 100

## Section 8. External Interrupt Module (IRQ)

8.1	Contents . . . . .	101
8.2	Introduction . . . . .	101
8.3	Operation . . . . .	102
8.3.1	$\overline{\text{IRQ}}/V_{\text{PP}}$ Pin . . . . .	104
8.3.2	Optional External Interrupts . . . . .	104
8.4	IRQ Status and Control Register . . . . .	106
8.5	External Interrupt Timing . . . . .	107
8.5.1	5.0-Volt External Interrupt Timing Characteristics . . . . .	107
8.5.2	3.3-Volt External Interrupt Timing Characteristics . . . . .	107

## Section 9. Multifunction Timer Module

9.1	Contents . . . . .	109
9.2	Introduction . . . . .	109
9.3	Operation . . . . .	111
9.4	Interrupts . . . . .	112
9.5	I/O Registers . . . . .	112
9.5.1	Timer Status and Control Register . . . . .	112
9.5.2	Timer Counter Register . . . . .	114
9.6	Low-Power Modes . . . . .	115
9.6.1	Stop Mode . . . . .	115
9.6.2	Wait Mode . . . . .	115

## Section 10. Electrical Specifications

10.1	Contents . . . . .	117
10.2	Introduction . . . . .	117
10.3	Maximum Ratings . . . . .	118
10.4	Operating Temperature Range . . . . .	119
10.5	Thermal Characteristics . . . . .	119

10.6	Power Considerations . . . . .	120
10.7	5.0-Volt DC Electrical Characteristics . . . . .	121
10.8	3.3-Volt DC Electrical Characteristics . . . . .	122
10.9	Driver Characteristics . . . . .	123
10.10	Typical Supply Currents . . . . .	125
10.11	EPROM Programming Characteristics . . . . .	126
10.12	5.0-Volt Control Timing . . . . .	126
10.13	3.3-Volt Control Timing . . . . .	127

**Section 11. Mechanical Specifications**

11.1	Contents . . . . .	131
11.2	Introduction . . . . .	131
11.3	Plastic Dual In-Line Package (Case 738) . . . . .	132
11.4	Small Outline Integrated Circuit (Case 751) . . . . .	132
11.5	Ceramic Dual In-Line Package (Case 732) . . . . .	133

**Section 12. Ordering Information**

12.1	Contents . . . . .	135
12.2	Introduction . . . . .	135
12.3	MCU Order Numbers . . . . .	135

**Appendix A. MC68HRC705J1A**

A.1	Contents . . . . .	137
A.2	Introduction . . . . .	137
A.3	RC Oscillator Connections . . . . .	138
A.4	Typical Internal Operating Frequency for RC Oscillator Option . . . . .	139
A.5	Package Types and Order Numbers . . . . .	140

**Appendix B. MC68HSC705J1A**

B.1 Contents . . . . . 141  
B.2 Introduction . . . . . 141  
B.3 5.0-Volt DC Electrical Characteristics . . . . . 142  
B.4 3.3-Volt DC Electrical Characteristics . . . . . 142  
B.5 Typical Supply Currents . . . . . 142  
B.6 Package Types and Order Numbers . . . . . 144

**Appendix C. MC68HSR705J1A**

C.1 Contents . . . . . 145  
C.2 Introduction . . . . . 145  
C.3 RC Oscillator Connections (External Resistor) . . . . . 145  
C.4 Typical Internal Operating Frequency at 25°C  
for High-Speed RC Oscillator Option . . . . . 146  
C.5 RC Oscillator Connections (No External Resistor) . . . . . 147  
C.6 Typical Internal Operating Frequency versus Temperature  
(No External Resistor) . . . . . 148  
C.7 Package Types and Order Numbers . . . . . 149

**Index**

Index . . . . . 151



List of Figures

Figure	Title	Page
1-1	Block Diagram . . . . .	23
1-2	Pin Assignments . . . . .	26
1-3	Bypassing Layout Recommendation . . . . .	26
1-4	Crystal Connections with Oscillator Internal Resistor Mask Option . . . . .	28
1-5	Crystal Connections without Oscillator Internal Resistor Mask Option . . . . .	28
1-6	Ceramic Resonator Connections with Oscillator Internal Resistor Mask Option . . . . .	29
1-7	Ceramic Resonator Connections without Oscillator Internal Resistor Mask Option . . . . .	29
1-8	External Clock Connections . . . . .	30
2-1	Memory Map . . . . .	34
2-2	I/O Register Summary . . . . .	35
2-3	EPROM Programming Register (EPROG) . . . . .	39
2-4	Mask Option Register (MOR) . . . . .	41
3-1	Programming Model . . . . .	47
3-2	Accumulator (A) . . . . .	48
3-3	Index Register (X) . . . . .	48
3-4	Stack Pointer (SP) . . . . .	49
3-5	Program Counter (PC) . . . . .	50
3-6	Condition Code Register (CCR) . . . . .	50
4-1	Reset Sources . . . . .	70
4-2	Power-On Reset Timing . . . . .	71

List of Figures

Figure	Title	Page
4-3	External Reset Timing .....	72
4-4	External Interrupt Logic .....	74
4-5	External Interrupt Timing .....	75
4-6	Interrupt Stacking Order .....	77
4-7	Interrupt Flowchart .....	78
5-1	Stop Mode Recovery Timing .....	85
5-2	Stop/Halt/Wait Flowchart .....	86
6-1	Parallel I/O Port Register Summary .....	88
6-2	Port A Data Register (PORTA) .....	89
6-3	Data Direction Register A (DDRA) .....	90
6-4	Port A I/O Circuitry .....	90
6-5	Pulldown Register A (PDRA) .....	91
6-6	Port B Data Register (PORTB) .....	92
6-7	Data Direction Register B (DDRB) .....	93
6-8	Port B I/O Circuitry .....	93
6-9	Pulldown Register B (PDRB) .....	94
7-1	COP Register (COPR) .....	99
8-1	IRQ Module Block Diagram .....	102
8-2	Interrupt Flowchart .....	103
8-3	IRQ Status and Control Register (ISCR) .....	106
8-4	External Interrupt Timing .....	107
9-1	Multifunction Timer Block Diagram .....	110
9-2	I/O Register Summary .....	111
9-3	Timer Status and Control Register (TSCR) .....	112
9-4	Timer Counter Register (TCR) .....	114



Figure	Title	Page
10-1	PA0–PA7, PB0–PB5 Typical High-Side Driver Characteristics . . . . .	123
10-2	PA0–PA3, PB0–PB5 Typical Low-Side Driver Characteristics . . . . .	123
10-3	PA4–PA7 Typical Low-Side Driver Characteristics . . . . .	124
10-4	Typical Operating $I_{DD}$ (25°C) . . . . .	125
10-5	Typical Wait Mode $I_{DD}$ (25°C) . . . . .	125
10-6	External Interrupt Timing . . . . .	128
10-7	Stop Mode Recovery Timing . . . . .	128
10-8	Power-On Reset Timing . . . . .	129
10-9	External Reset Timing . . . . .	129
A-1	RC Oscillator Connections . . . . .	138
A-2	Typical Internal Operating Frequency for Various $V_{DD}$ at 25°C — RC Oscillator Option Only . . . . .	139
B-1	Typical High-Speed Operating $I_{DD}$ (25°C) . . . . .	142
B-2	Typical High-Speed Wait Mode $I_{DD}$ (25°C) . . . . .	143
C-1	Typical Internal Operating Frequency at 25°C for High-Speed RC Oscillator Option . . . . .	146
C-2	RC Oscillator Connections (No External Resistor) . . . . .	147
C-3	Typical Internal Operating Frequency versus Temperature (OSCREG Bit = 1) . . . . .	148



**List of Tables**

Table	Title	Page
1-1	Programmable Options. . . . .	25
3-1	Register/Memory Instructions. . . . .	55
3-2	Read-Modify-Write Instructions . . . . .	56
3-3	Jump and Branch Instructions . . . . .	58
3-4	Bit Manipulation Instructions. . . . .	59
3-5	Control Instructions. . . . .	60
3-6	Instruction Set Summary . . . . .	61
3-7	Opcode Map . . . . .	67
4-1	External Reset Timing . . . . .	72
4-2	External Interrupt Timing ( $V_{DD} = 5.0$ Vdc) . . . . .	75
4-3	External Interrupt Timing ( $V_{DD} = 3.3$ Vdc) . . . . .	75
4-4	Reset/Interrupt Vector Addresses . . . . .	77
6-1	Port A Pin Operation. . . . .	91
6-2	Port B Pin Operation. . . . .	94
9-1	Real-Time Interrupt Rate Selection . . . . .	114
12-1	Order Numbers. . . . .	135
A-1	MC68HRC705J1A (RC Oscillator Option) Order Numbers . . . . .	140
B-1	MC68HSC705J1A (High Speed) Order Numbers . . . . .	144
C-1	MC68HSR705J1A (High-Speed RC Oscillator Option) Order Numbers . . . . .	149



## Section 1. General Description

### 1.1 Contents

1.2	Introduction . . . . .	22
1.3	Features . . . . .	24
1.4	Programmable Options . . . . .	25
1.5	Pin Assignments . . . . .	25
1.5.1	$V_{DD}$ and $V_{SS}$ . . . . .	25
1.5.2	OSC1 and OSC2 . . . . .	27
1.5.2.1	Crystal Oscillator . . . . .	27
1.5.2.2	Ceramic Resonator Oscillator . . . . .	28
1.5.2.3	RC Oscillator . . . . .	30
1.5.2.4	External Clock . . . . .	30
1.6	$\overline{\text{RESET}}$ . . . . .	30
1.7	$\overline{\text{IRQ}}/V_{PP}$ . . . . .	31
1.8	PA0–PA7 . . . . .	31
1.9	PB0–PB5 . . . . .	31

## 1.2 Introduction

The MC68HC705J1A is a member of Motorola's low-cost, high-performance M68HC05 Family of 8-bit microcontroller units (MCUs). The M68HC05 Family is based on the customer-specified integrated circuit (CSIC) design strategy. All MCUs in the family use the popular M68HC05 central processor unit (CPU) and are available with a variety of subsystems, memory sizes and types, and package types.

On-chip memory of the MC68HC705J1A includes 1240 bytes of erasable, programmable read-only memory (EPROM). In packages without the transparent window for EPROM erasure, the 1240 EPROM bytes serve as one-time programmable read-only memory (OTPROM).

The MC68HRC705J1A is a resistor-capacitor (RC) oscillator mask option version of the MC68HC705J1A and is discussed in [Appendix A. MC68HRC705J1A](#).

A high-speed version of the MC68HC705J1A, the MC68HSC705J1A, is discussed in [Appendix B. MC68HSC705J1A](#).

The MC68HSR705J1A, discussed in [Appendix C. MC68HSR705J1A](#), is a high-speed version of the MC68HRC705J1A.

A functional block diagram of the MC68HC705J1A is shown in [Figure 1-1](#).

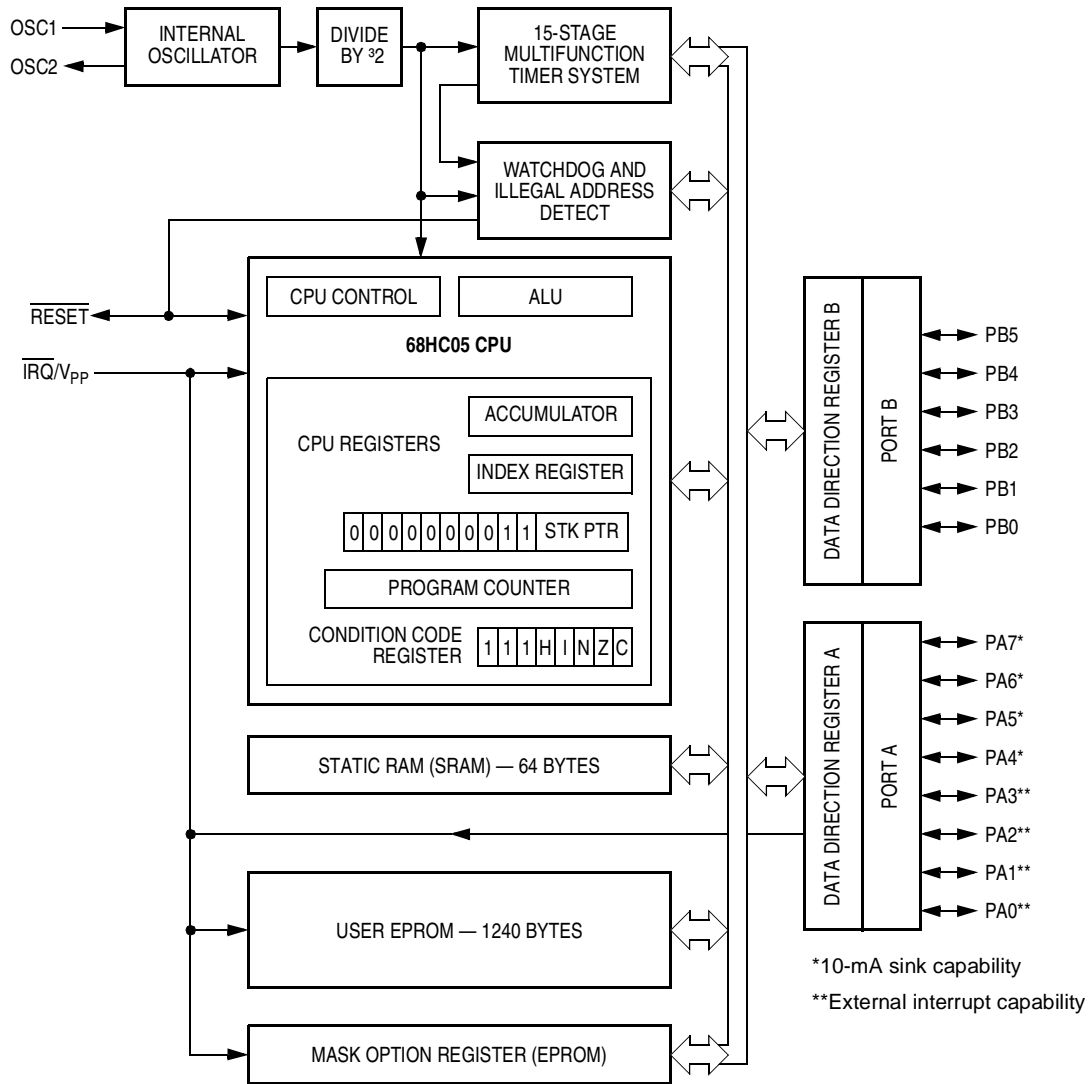


Figure 1-1. Block Diagram

### 1.3 Features

Features of the MC68HC705J1A include:

- Peripheral modules:
  - 15-stage multifunction timer
  - Computer operating properly (COP) watchdog
- 14 bidirectional input/output (I/O) lines, including:
  - 10-mA sink capability on four I/O pins
  - Mask option register (MOR) and software programmable pulldowns on all I/O pins
  - MOR selectable interrupt on four I/O pins, a keyboard scan feature
- MOR selectable sensitivity on external interrupt (edge- and level-sensitive or edge-sensitive only)
- On-chip oscillator with connections for:
  - Crystal
  - Ceramic resonator
  - Resistor-capacitor (RC) oscillator
  - External clock
- 1240 bytes of EPROM/OTPROM, including eight bytes for user vectors
- 64 bytes of user random-access memory (RAM)
- Memory-mapped I/O registers
- Fully static operation with no minimum clock speed
- Power-saving stop, halt, wait, and data-retention modes
- External interrupt mask bit and acknowledge bit
- Illegal address reset
- Internal steering diode and pullup resistor from  $\overline{\text{RESET}}$  pin to  $V_{DD}$



## 1.4 Programmable Options

The options in [Table 1-1](#) are programmable in the mask option register (MOR).

**Table 1-1. Programmable Options**

Feature	Option
COP watchdog timer	Enabled or disabled
External interrupt triggering	Edge-sensitive only or edge- and level-sensitive
Port A $\overline{\text{IRQ}}$ pin interrupts	Enabled or disabled
Port pulldown resistors	Enabled or disabled
STOP instruction mode	Stop mode or halt mode
Crystal oscillator internal resistor	Enabled or disabled
EPROM security	Enabled or disabled
Short oscillator delay counter	Enabled or disabled

## 1.5 Pin Assignments

[Figure 1-2](#) shows the MC68HC705J1A pin assignments.

### 1.5.1 $V_{DD}$ and $V_{SS}$

$V_{DD}$  and  $V_{SS}$  are the power supply and ground pins. The MCU operates from a single power supply.

Very fast signal transitions occur on the MCU pins, placing high, short-duration current demands on the power supply. To prevent noise problems, take special care as [Figure 1-3](#) shows, by placing the bypass capacitors as close as possible to the MCU. C2 is an optional bulk current bypass capacitor for use in applications that require the port pins to source high current levels.

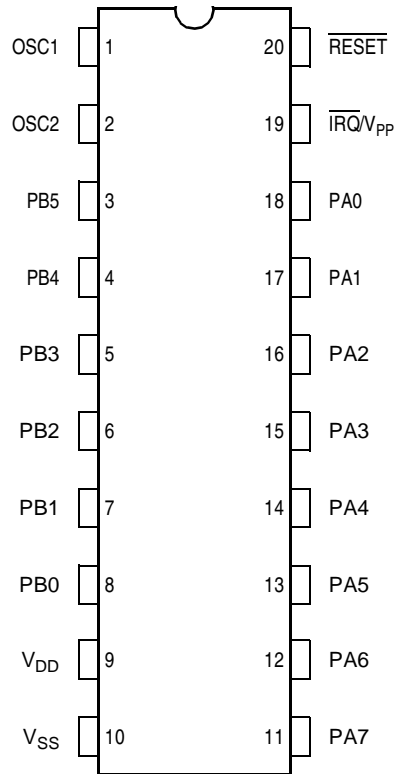


Figure 1-2. Pin Assignments

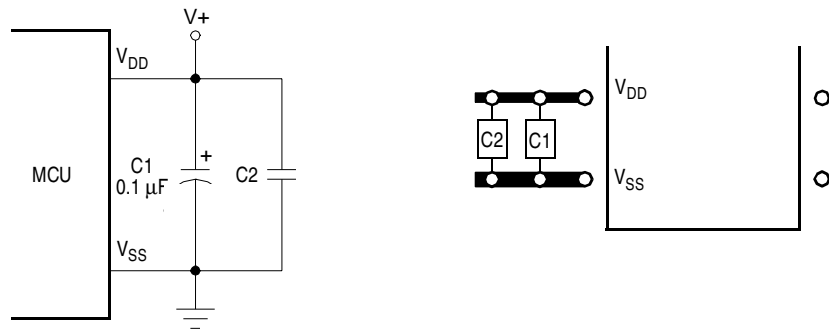


Figure 1-3. Bypassing Layout Recommendation

## 1.5.2 OSC1 and OSC2

The OSC1 and OSC2 pins are the connections for the on-chip oscillator. The oscillator can be driven by any of these:

1. Crystal (See [Figure 1-4](#) and [Figure 1-5](#).)
2. Ceramic resonator (See [Figure 1-6](#) and [Figure 1-7](#).)
3. Resistor/capacitor (RC) oscillator (Refer to [Appendix A. MC68HRC705J1A](#) and [Appendix C. MC68HSR705J1A](#).)
4. External clock signal (See [Figure 1-8](#).)

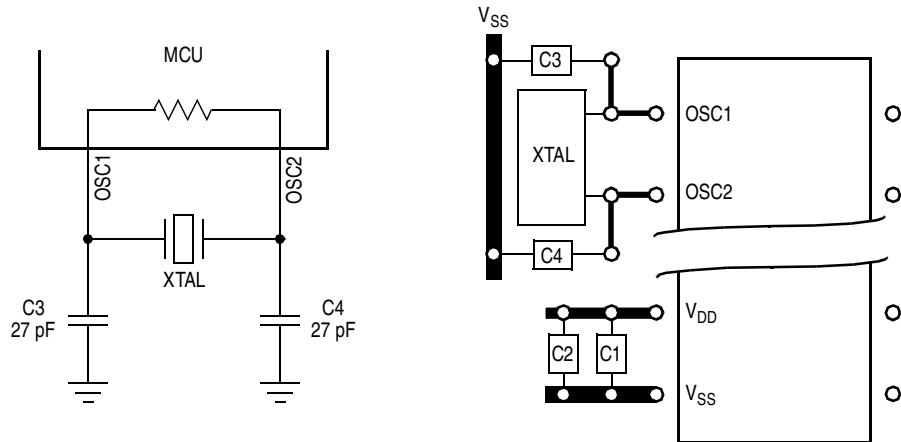
The frequency,  $f_{osc}$ , of the oscillator or external clock source is divided by two to produce the internal operating frequency,  $f_{op}$ .

### 1.5.2.1 Crystal Oscillator

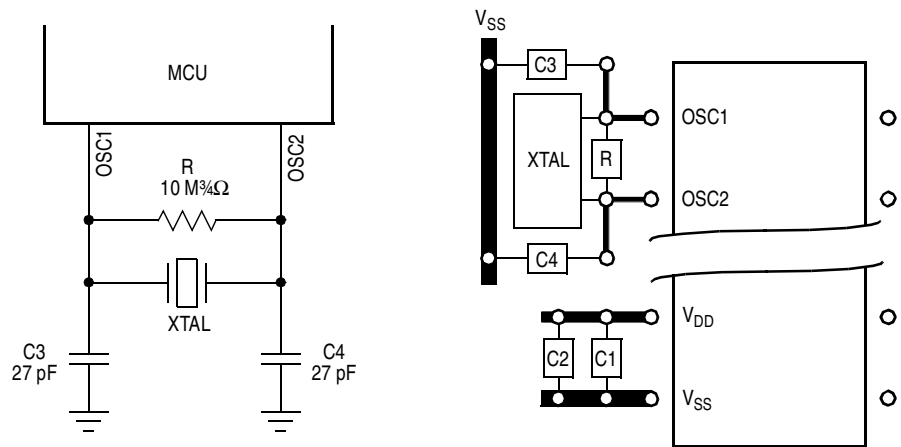
[Figure 1-4](#) and [Figure 1-5](#) show a typical crystal oscillator circuit for an AT-cut, parallel resonant crystal. Follow the crystal supplier's recommendations, as the crystal parameters determine the external component values required to provide reliable startup and maximum stability. The load capacitance values used in the oscillator circuit design should include all stray layout capacitances.

To minimize output distortion, mount the crystal and capacitors as close as possible to the pins. An internal startup resistor of approximately 2 M $\Omega$  is provided between OSC1 and OSC2 for the crystal oscillator as a programmable mask option.

**NOTE:** Use an AT-cut crystal and not an AT-strip crystal because the MCU can overdrive an AT-strip crystal.



**Figure 1-4. Crystal Connections with Oscillator Internal Resistor Mask Option**

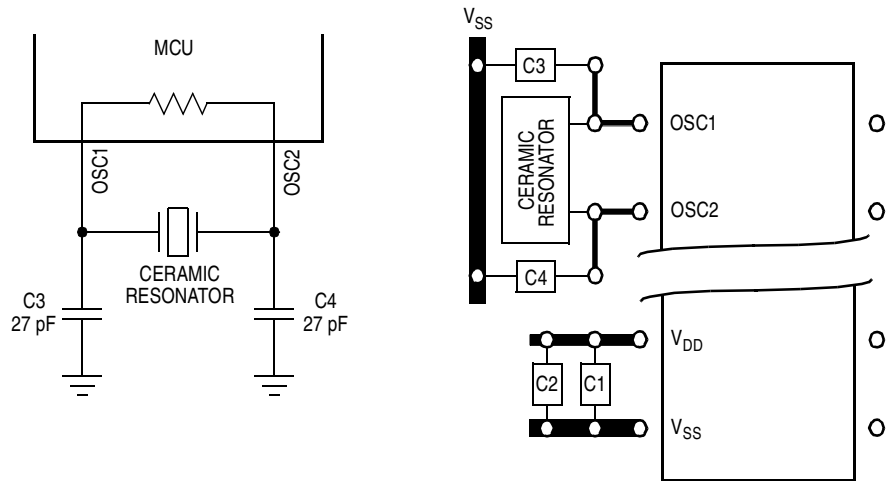


**Figure 1-5. Crystal Connections without Oscillator Internal Resistor Mask Option**

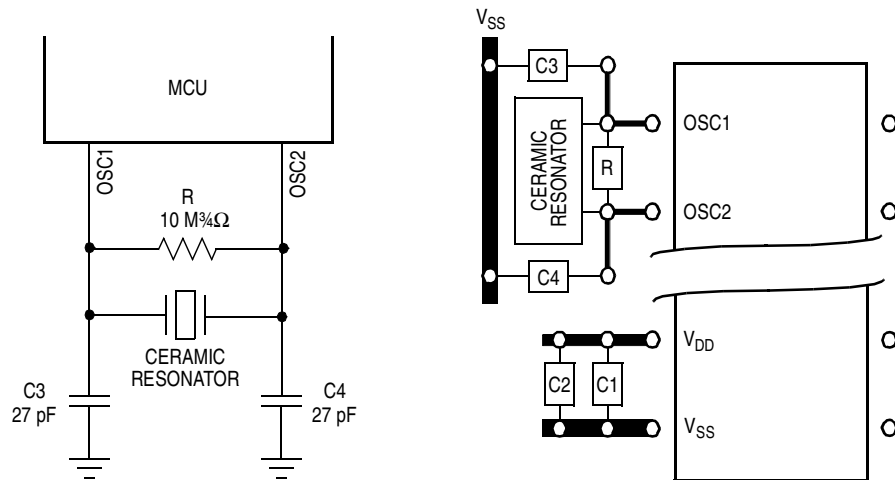
### 1.5.2.2 Ceramic Resonator Oscillator

To reduce cost, use a ceramic resonator instead of the crystal. The circuits shown in [Figure 1-6](#) and [Figure 1-7](#) show ceramic resonator circuits. Follow the resonator manufacturer's recommendations, as the resonator parameters determine the external component values required for maximum stability and reliable starting. The load capacitance values used in the oscillator circuit design should include all stray capacitances.

Mount the resonator and components as close as possible to the pins for startup stabilization and to minimize output distortion. An internal startup resistor of approximately 2 MΩ is provided between OSC1 and OSC2 as a programmable mask option.



**Figure 1-6. Ceramic Resonator Connections with Oscillator Internal Resistor Mask Option**



**Figure 1-7. Ceramic Resonator Connections without Oscillator Internal Resistor Mask Option**

General Description

1.5.2.3 RC Oscillator

Refer to [Appendix A. MC68HRC705J1A](#) and [Appendix C. MC68HSR705J1A](#).

1.5.2.4 External Clock

An external clock from another complementary metal-oxide semiconductor (CMOS)-compatible device can be connected to the OSC1 input, with the OSC2 input not connected, as shown in [Figure 1-8](#). This configuration is possible regardless of whether the crystal/ceramic resonator or the RC oscillator is enabled.

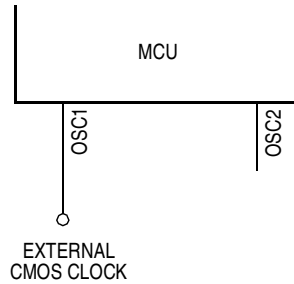


Figure 1-8. External Clock Connections

1.6 RESET

Applying a logic 0 to the  $\overline{\text{RESET}}$  pin forces the MCU to a known startup state. An internal reset also pulls the  $\overline{\text{RESET}}$  pin low. An internal resistor to  $V_{DD}$  pulls the  $\overline{\text{RESET}}$  pin high. A steering diode between the  $\overline{\text{RESET}}$  and  $V_{DD}$  pins discharges any  $\overline{\text{RESET}}$  pin voltage when power is removed from the MCU. The  $\overline{\text{RESET}}$  pin contains an internal Schmitt trigger to improve its noise immunity as an input. Refer to [Section 4. Resets and Interrupts](#) for more information.

## 1.7 $\overline{\text{IRQ/V}}_{\text{PP}}$

The external interrupt/programming voltage pin ( $\overline{\text{IRQ/V}}_{\text{PP}}$ ) drives the asynchronous IRQ interrupt function of the CPU. Additionally, it is used to program the user EPROM and mask option register. (See [Section 2. Memory](#) and [Section 8. External Interrupt Module \(IRQ\)](#).)

The LEVEL bit in the mask option register provides negative edge-sensitive triggering or both negative edge-sensitive and low level-sensitive triggering for the interrupt function.

If level-sensitive triggering is selected, the  $\overline{\text{IRQ/V}}_{\text{PP}}$  input requires an external resistor to V<sub>DD</sub> for wired-OR operation. If the  $\overline{\text{IRQ/V}}_{\text{PP}}$  pin is not used, it must be tied to the V<sub>DD</sub> supply.

The  $\overline{\text{IRQ/V}}_{\text{PP}}$  pin contains an internal Schmitt trigger as part of its input to improve noise immunity. The voltage on this pin should not exceed V<sub>DD</sub> except when the pin is being used for programming the EPROM.

**NOTE:** *The mask option register can enable the PA0–PA3 pins to function as external interrupt pins.*

## 1.8 PA0–PA7

These eight input/output (I/O) lines comprise port A, a general-purpose, bidirectional I/O port. See [Section 8. External Interrupt Module \(IRQ\)](#) for information on PA0–PA3 external interrupts.

## 1.9 PB0–PB5

These six I/O lines comprise port B, a general-purpose, bidirectional I/O port.





## Section 2. Memory

### 2.1 Contents

2.2	Introduction . . . . .	33
2.3	Memory Map . . . . .	34
2.4	Input/Output Register Summary . . . . .	35
2.5	RAM . . . . .	37
2.6	EPROM/OTPROM . . . . .	38
2.6.1	EPROM/OTPROM Programming . . . . .	38
2.6.2	EPROM Programming Register . . . . .	39
2.6.3	EPROM Erasing . . . . .	40
2.7	Mask Option Register . . . . .	40
2.8	EPROM Programming Characteristics . . . . .	43

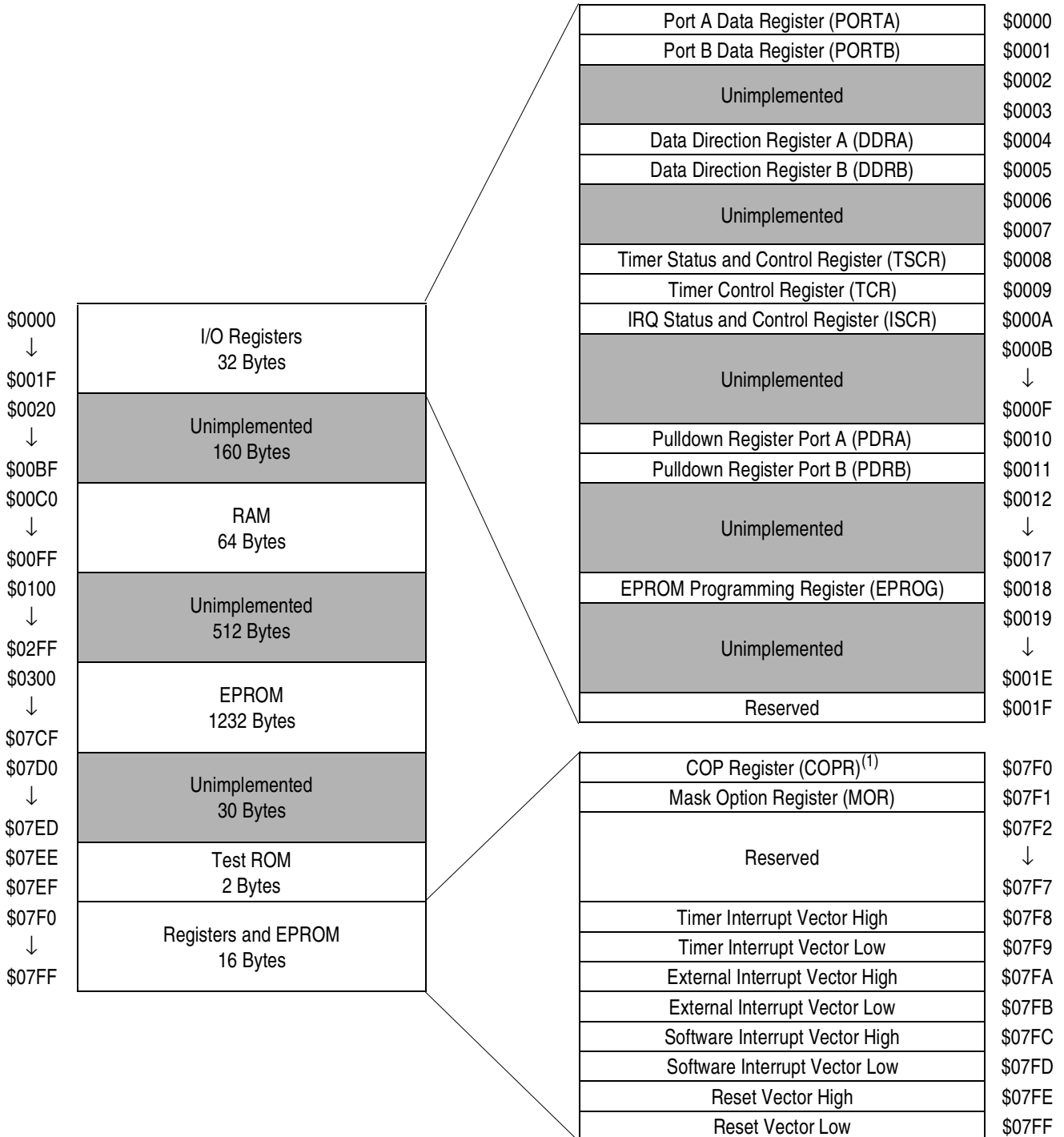
### 2.2 Introduction

This section describes the organization of the on-chip memory consisting of:

- 1232 bytes of user erasable, programmable read-only memory (EPROM), plus eight bytes for user vectors
- 64 bytes of user random-access memory (RAM)

Memory

2.3 Memory Map



<sup>(1)</sup> Writing to bit 0 of \$07F0 clears the computer operating properly (COP) watchdog.

Figure 2-1. Memory Map

2.4 Input/Output Register Summary

Addr.	Register Name	Bit 7	6	5	4	3	2	1	Bit 0	
\$0000	Port A Data Register (PORTA) <a href="#">See page 89.</a>	Read:	PA7	PA6	PA5	PA4	PA3	PA2	PA1	PA0
		Write:								
		Reset:	Unaffected by reset							
\$0001	Port B Data Register (PORTB) <a href="#">See page 92.</a>	Read:	0	0	PB5	PB4	PB3	PB2	PB1	PB0
		Write:								
		Reset:	Unaffected by reset							
\$0002	Unimplemented									
\$0003	Unimplemented									
\$0004	Data Direction Register A (DDRA) <a href="#">See page 90.</a>	Read:	DDRA7	DDRA6	DDRA5	DDRA4	DDRA3	DDRA2	DDRA1	DDRA0
		Write:								
		Reset:	0	0	0	0	0	0	0	0
\$0005	Data Direction Register B (DDRB) <a href="#">See page 93.</a>	Read:	0	0	DDRB5	DDRB4	DDRB3	DDRB2	DDRB1	DDRB0
		Write:								
		Reset:	0	0	0	0	0	0	0	0
\$0006	Unimplemented									
\$0007	Unimplemented									
\$0008	Timer Status and Control Register (TSCR) <a href="#">See page 112.</a>	Read:	TOF	RTIF	TOIE	RTIE	0	0	RT1	RT0
		Write:					TOFR	RTIFR		
		Reset:	0	0	0	0	0	0	1	1

= Unimplemented    R = Reserved

Figure 2-2. I/O Register Summary (Sheet 1 of 3)

Memory

Addr.	Register Name	Bit 7	6	5	4	3	2	1	Bit 0	
\$0009	Timer Counter Register (TCR) <i>See page 114.</i>	Read:	TMR7	TMR6	TMR5	TMR4	TMR3	TMR2	TMR1	TMR0
		Write:								
		Reset:	0	0	0	0	0	0	0	0
\$000A	IRQ Status and Control Register (ISCR) <i>See page 106.</i>	Read:	IRQE	0	0	0	IRQF	0	0	0
		Write:				R			IRQR	
		Reset:	1	0	0	0	0	0	0	0
\$000B	Unimplemented									
↓										
\$000F	Unimplemented									
\$0010	Pulldown Register A (PDRA) <i>See page 91.</i>	Read:								
		Write:	PDIA7	PDIA6	PDIA5	PDIA4	PDIA3	PDIA2	PDIA1	PDIA0
		Reset:	0	0	0	0	0	0	0	0
\$0011	Pulldown Register B (PDRB) <i>See page 94.</i>	Read:								
		Write:			PDIB5	PDIB4	PDIB3	PDIB2	PDIB1	PDIB0
		Reset:	0	0	0	0	0	0	0	0
\$0012	Unimplemented									
↓										
\$0017	Unimplemented									
\$0018	EPROM Programming Register (EPROG) <i>See page 39.</i>	Read:	0	0	0	0	0	ELAT	MPGM	EPGM
		Write:		R	R	R	R			
		Reset:	0	0	0	0	0	0	0	0

= Unimplemented      R = Reserved

Figure 2-2. I/O Register Summary (Sheet 2 of 3)

Addr.	Register Name	Bit 7	6	5	4	3	2	1	Bit 0	
\$0019	Unimplemented									
↓										
\$001E	Unimplemented									
\$001F	Reserved	R	R	R	R	R	R	R	R	
\$07F0	COP Register (COPR) <i>See page 99.</i>	Read:								
		Write:							COPC	
		Reset:								0
\$07F1	Mask Option Register (MOR) <i>See page 41.</i>	Read:	SOSCD	EPMSEC	OSCREG	SWAIT	SWPDI	PIRQ	LEVEL	COPEN
		Write:								
		Reset:	Unaffected by reset							

= Unimplemented      R = Reserved

Figure 2-2. I/O Register Summary (Sheet 3 of 3)

## 2.5 RAM

The 64 addresses from \$00C0 to \$00FF serve as both the user RAM and the stack RAM. Before processing an interrupt, the central processor unit (CPU) uses five bytes of the stack to save the contents of the CPU registers. During a subroutine call, the CPU uses two bytes of the stack to store the return address. The stack pointer decrements when the CPU stores a byte on the stack and increments when the CPU retrieves a byte from the stack.

**NOTE:** *Be careful when using nested subroutines or multiple interrupt levels. The CPU may overwrite data in the RAM during a subroutine or during the interrupt stacking operation.*

## 2.6 EPROM/OTPROM

A microcontroller unit (MCU) with a quartz window has 1240 bytes of erasable, programmable ROM (EPROM). The quartz window allows EPROM erasure with ultraviolet light.

**NOTE:** *Keep the quartz window covered with an opaque material except when programming the MCU. Ambient light can affect MCU operation.*

In an MCU without the quartz window, the EPROM cannot be erased and serves as 1240 bytes of one-time programmable ROM (OTPROM).

These addresses are user EPROM/OTPROM locations:

- \$0300–\$07CF
- \$07F8–\$07FF, used for user-defined interrupt and reset vectors

The computer operating properly (COP) register (COPR) is an EPROM/OTPROM location at address \$07F0.

The mask option register (MOR) is an EPROM/OTPROM location at address \$07F1.

### 2.6.1 EPROM/OTPROM Programming

The two ways to program the EPROM/OTPROM are:

1. Manipulating the control bits in the EPROM programming register to program the EPROM/OTPROM on a byte-by-byte basis
2. Programming the EPROM/OTPROM with the M68HC705J in-circuit simulator (M68HC705JICS) available from Freescale

2.6.2 EPROM Programming Register

The EPROM programming register (EPROG) contains the control bits for programming the EPROM/OTPROM.

Address: \$0018

	Bit 7	6	5	4	3	2	1	Bit 0
Read:	0	0	0	0	0	ELAT	MPGM	EPGM
Write:		R	R	R	R			
Reset:	0	0	0	0	0	0	0	0

= Unimplemented
 R = Reserved

Figure 2-3. EPROM Programming Register (EPROG)

ELAT — EPROM Bus Latch Bit

This read/write bit latches the address and data buses for EPROM/OTPROM programming. Clearing the ELAT bit automatically clears the EPGM bit. EPROM/OTPROM data cannot be read while the ELAT bit is set. Reset clears the ELAT bit.

- 1 = Address and data buses configured for EPROM/OTPROM programming the EPROM
- 0 = Address and data buses configured for normal operation

MPGM — MOR Programming Bit

This read/write bit applies programming power from the  $\overline{IRQ}/V_{PP}$  pin to the mask option register. Reset clears MPGM.

- 1 = Programming voltage applied to MOR
- 0 = Programming voltage not applied to MOR

EPGM — EPROM Programming Bit

This read/write bit applies the voltage from the  $\overline{IRQ}/V_{PP}$  pin to the EPROM. To write the EPGM bit, the ELAT bit must be set already. Reset clears EPGM.

- 1 = Programming voltage ( $\overline{IRQ}/V_{PP}$  pin) applied to EPROM
- 0 = Programming voltage ( $\overline{IRQ}/V_{PP}$  pin) not applied to EPROM

**NOTE:** Writing logic 1s to both the ELAT and EPGM bits with a single instruction sets ELAT and clears EPGM. ELAT must be set first by a separate instruction.

Bits [7:3] — Reserved

Take these steps to program a byte of EPROM/OTPROM:

1. Apply the programming voltage,  $V_{PP}$ , to the  $\overline{IRQ}/V_{PP}$  pin.
2. Set the ELAT bit.
3. Write to any EPROM/OTPROM address.
4. Set the EPGM bit and wait for a time,  $t_{EPGM}$ .
5. Clear the ELAT bit.

### 2.6.3 EPROM Erasing

The erased state of an EPROM bit is logic 0. Erase the EPROM by exposing it to  $15 \text{ Ws/cm}^2$  of ultraviolet light with a wave length of 2537 angstroms. Position the ultraviolet light source one inch from the EPROM. Do not use a shortwave filter.

## 2.7 Mask Option Register

The mask option register (MOR) is an EPROM/OTPROM byte that controls these options:

- COP watchdog (enable or disable)
- External interrupt pin triggering (edge-sensitive only or edge- and level-sensitive)
- Port A external interrupts (enable or disable)
- Port pulldown resistors (enable or disable)
- STOP instruction (stop mode or halt mode)
- Crystal oscillator internal resistor (enable or disable)
- EPROM security (enable or disable)
- Short oscillator delay (enable or disable)



Take these steps to program the mask option register:

1. Apply the programming voltage,  $V_{PP}$ , to the  $\overline{IRQ}/V_{PP}$  pin.
2. Write to the MOR.
3. Set the MPGM bit and wait for a time,  $t_{MPGM}$ .
4. Clear the MPGM bit.
5. Reset the MCU.

Address: \$07F1

	Bit 7	6	5	4	3	2	1	Bit 0
Read:	SOSCD	EPMSEC	OSCRES	SWAIT	SWPDI	PIRQ	LEVEL	COPEN
Write:								
Reset:	Unaffected by reset							

**Figure 2-4. Mask Option Register (MOR)**

**SOSCD — Short Oscillator Delay Bit**

The SOSCD bit controls the oscillator stabilization counter. The normal stabilization delay following reset or exit from stop mode is  $4064 t_{cyc}$ . Setting SOSCD enables a short oscillator stabilization delay.

- 1 = Short oscillator delay enabled
- 0 = Short oscillator delay disabled

**EPMSEC — EPROM Security Bit**

The EPMSEC bit controls access to the EPROM/OTEPROM.

- 1 = External access to EPROM/OTEPROM denied
- 0 = External access to EPROM/OTEPROM not denied

**OSCRES — Oscillator Internal Resistor Bit**

The OSCRES bit enables a 2-MΩ internal resistor in the oscillator circuit.

- 1 = Oscillator internal resistor enabled
- 0 = Oscillator internal resistor disabled

**NOTE:** Program the OSCRES bit to logic 0 in devices using RC oscillators.

**SWAIT — Stop-to-Wait Conversion Bit**

The SWAIT bit enables halt mode. When the SWAIT bit is set, the CPU interprets the STOP instruction as a WAIT instruction, and the MCU enters halt mode. Halt mode is the same as wait mode, except that an oscillator stabilization delay of 1 to 4064  $t_{cyc}$  occurs after exiting halt mode.

- 1 = Halt mode enabled
- 0 = Halt mode not enabled

**SWPDI — Software Pulldown Inhibit Bit**

The SWPDI bit inhibits software control of the I/O port pulldown devices. The SWPDI bit overrides the pulldown inhibit bits in the port pulldown inhibit registers.

- 1 = Software pulldown control inhibited
- 0 = Software pulldown control not inhibited

**PIRQ — Port A External Interrupt Bit**

The PIRQ bit enables the PA0–PA3 pins to function as external interrupt pins.

- 1 = PA0–PA3 enabled as external interrupt pins
- 0 = PA0–PA3 not enabled as external interrupt pins

**LEVEL — External Interrupt Sensitivity Bit**

The LEVEL bit controls external interrupt triggering sensitivity.

- 1 = External interrupts triggered by active edges and active levels
- 0 = External interrupts triggered only by active edges

**COPEN — COP Enable Bit**

The COPEN bit enables the COP watchdog.

- 1 = COP watchdog enabled
- 0 = COP watchdog disabled

**2.8 EPROM Programming Characteristics**

Characteristic <sup>(1)</sup>	Symbol	Min	Typ	Max	Unit
Programming voltage IRQ/V <sub>PP</sub>	V <sub>PP</sub>	16.0	16.5	17.0	V
Programming current IRQ/V <sub>PP</sub>	I <sub>PP</sub>	— <sup>1</sup>	3.0	10.0	mA
Programming time Per array byte MOR	t <sub>EPGM</sub> t <sub>MPGM</sub>	4 4	— —	— —	ms

1. V<sub>DD</sub> = 5.0 Vdc ± 10%, V<sub>SS</sub> = 0 Vdc, T<sub>A</sub> = -40°C to +105°C



## Section 3. Central Processor Unit (CPU)

### 3.1 Contents

3.2	Introduction . . . . .	46
3.3	CPU Control Unit . . . . .	46
3.4	Arithmetic/Logic Unit . . . . .	46
3.5	CPU Registers . . . . .	48
3.5.1	Accumulator . . . . .	48
3.5.2	Index Register . . . . .	48
3.5.3	Stack Pointer . . . . .	49
3.5.4	Program Counter . . . . .	50
3.5.5	Condition Code Register . . . . .	50
3.6	Instruction Set . . . . .	52
3.6.1	Addressing Modes . . . . .	52
3.6.1.1	Inherent . . . . .	52
3.6.1.2	Immediate . . . . .	52
3.6.1.3	Direct . . . . .	53
3.6.1.4	Extended . . . . .	53
3.6.1.5	Indexed, No Offset . . . . .	53
3.6.1.6	Indexed, 8-Bit Offset . . . . .	53
3.6.1.7	Indexed, 16-Bit Offset . . . . .	54
3.6.1.8	Relative . . . . .	54
3.6.2	Instruction Types . . . . .	55
3.6.2.1	Register/Memory Instructions . . . . .	55
3.6.2.2	Read-Modify-Write Instructions . . . . .	56
3.6.2.3	Jump/Branch Instructions . . . . .	57
3.6.2.4	Bit Manipulation Instructions . . . . .	59
3.6.2.5	Control Instructions . . . . .	60
3.7	Instruction Set Summary . . . . .	61
3.8	Opcode Map . . . . .	66

### 3.2 Introduction

The central processor unit (CPU) consists of a CPU control unit, an arithmetic/logic unit (ALU), and five CPU registers. The CPU control unit fetches and decodes instructions. The ALU executes the instructions. The CPU registers contain data, addresses, and status bits that reflect the results of CPU operations. See [Figure 3-1](#).

Features include:

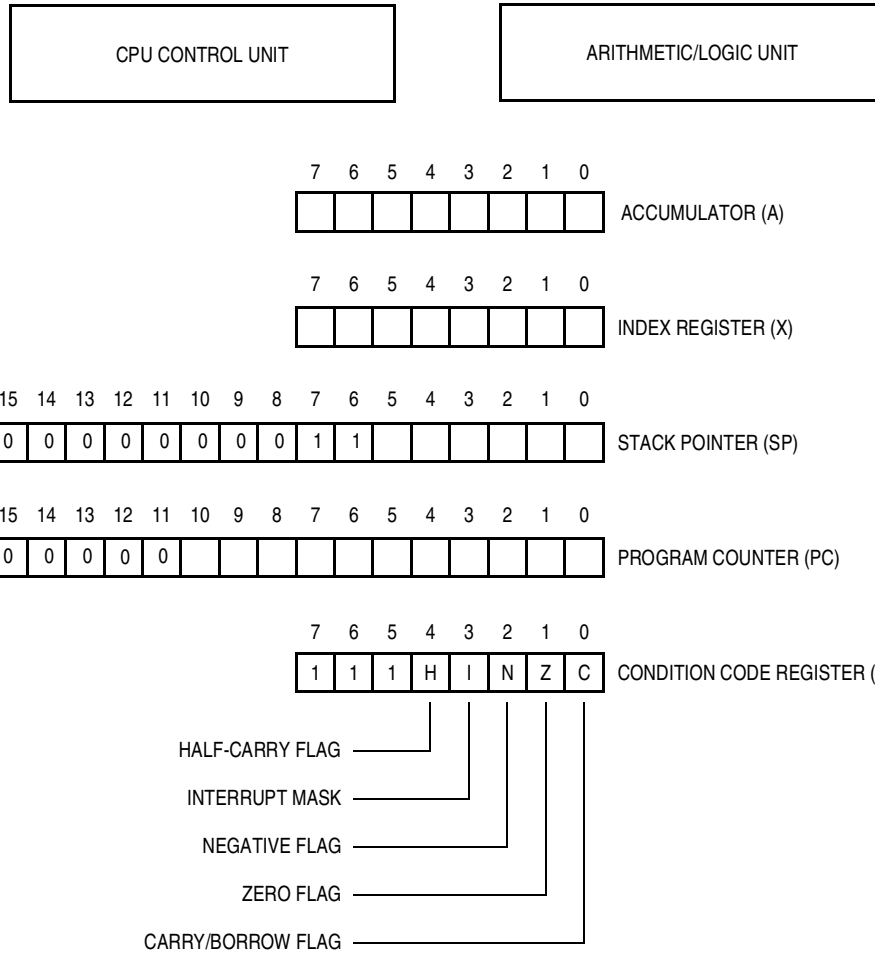
- 2.1-MHz bus frequency
- 8-bit accumulator
- 8-bit index register
- 11-bit program counter
- 6-bit stack pointer
- Condition code register (CCR) with five status flags
- 62 instructions
- Eight addressing modes
- Power-saving stop, wait, halt, and data-retention modes

### 3.3 CPU Control Unit

The CPU control unit fetches and decodes instructions during program operation. The control unit selects the memory locations to read and write and coordinates the timing of all CPU operations.

### 3.4 Arithmetic/Logic Unit

The arithmetic/logic unit (ALU) performs the arithmetic, logic, and manipulation operations decoded from the instruction set by the CPU control unit. The ALU produces the results called for by the program and sets or clears status and control bits in the condition code register (CCR).



**Figure 3-1. Programming Model**

### 3.5 CPU Registers

The M68HC05 CPU contains five registers that control and monitor microcontroller unit (MCU) operation:

- Accumulator
- Index register
- Stack pointer
- Program counter
- Condition code register

CPU registers are not memory mapped.

#### 3.5.1 Accumulator

The accumulator (A) is a general-purpose 8-bit register. The CPU uses the accumulator to hold operands and results of ALU operations.

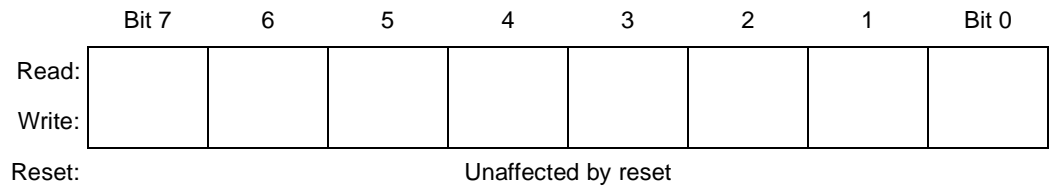


Figure 3-2. Accumulator (A)

#### 3.5.2 Index Register

In the indexed addressing (X) modes, the CPU uses the byte in the index register to determine the conditional address of the operand. The index register also can serve as a temporary storage location or a counter.

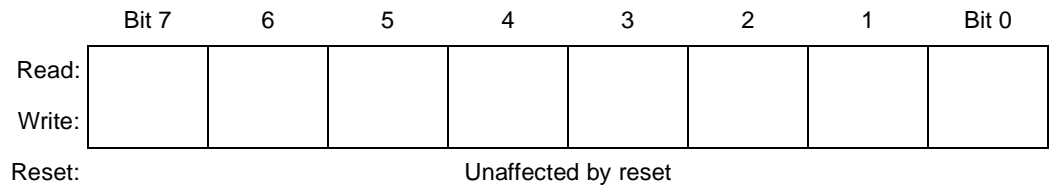
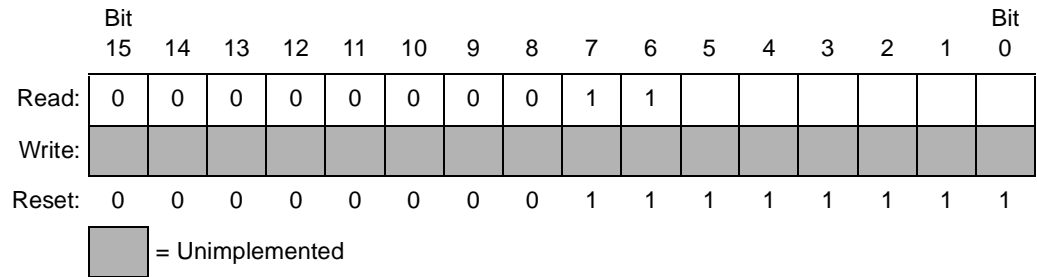


Figure 3-3. Index Register (X)



### 3.5.3 Stack Pointer

The stack pointer (SP) is a 16-bit register that contains the address of the next location on the stack. During a reset or after the reset stack pointer instruction (RSP), the stack pointer is preset to \$00FF. The address in the stack pointer decrements after a byte is stacked and increments before a byte is unstacked.



**Figure 3-4. Stack Pointer (SP)**

The 10 most significant bits of the stack pointer are permanently fixed at 0000000011, so the stack pointer produces addresses from \$00C0 to \$00FF. If subroutines and interrupts use more than 64 stack locations, the stack pointer wraps around to address \$00FF and begins writing over the previously stored data. A subroutine uses two stack locations; an interrupt uses five locations.

Central Processor Unit (CPU)

3.5.4 Program Counter

The program counter (PC) is a 16-bit register that contains the address of the next instruction or operand to be fetched. The five most significant bits of the program counter are ignored and appear as 00000.

Normally, the address in the program counter automatically increments to the next sequential memory location every time an instruction or operand is fetched. Jump, branch, and interrupt operations load the program counter with an address other than that of the next sequential location.

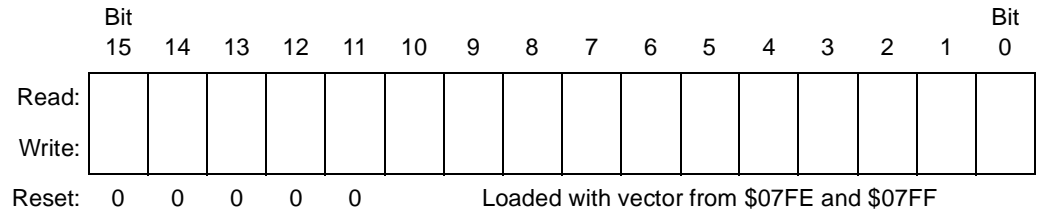


Figure 3-5. Program Counter (PC)

3.5.5 Condition Code Register

The condition code register (CCR) is an 8-bit register whose three most significant bits are permanently fixed at 111. The condition code register contains the interrupt mask and four flags that indicate the results of the instruction just executed.

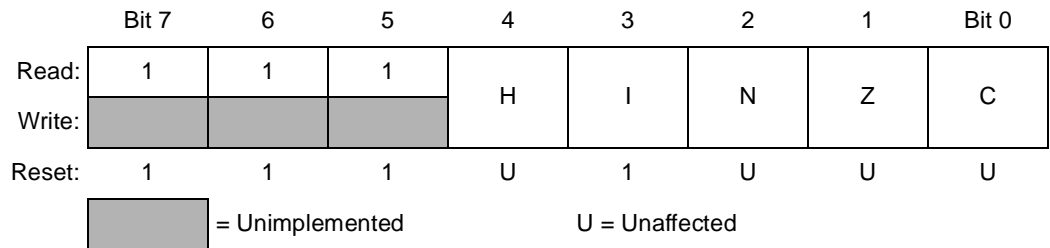


Figure 3-6. Condition Code Register (CCR)

## H — Half-Carry Flag

The CPU sets the half-carry flag when a carry occurs between bits 3 and 4 of the accumulator during an ADD (add without carry) or ADC (add with carry) operation. The half-carry flag is required for binary-coded decimal (BCD) arithmetic operations.

## I — Interrupt Mask Bit

Setting the interrupt mask disables interrupts. If an interrupt request occurs while the interrupt mask is logic 0, the CPU saves the CPU registers on the stack, sets the interrupt mask, and then fetches the interrupt vector. If an interrupt request occurs while the interrupt mask is logic 1, the interrupt request is latched. Normally, the CPU processes the latched interrupt request as soon as the interrupt mask is cleared again.

A return-from-interrupt instruction (RTI) unstacks the CPU registers, restoring the interrupt mask to its cleared state. After any reset, the interrupt mask is set and can be cleared only by a software instruction.

## N — Negative Flag

The CPU sets the negative flag when an ALU operation produces a negative result.

## Z — Zero Flag

The CPU sets the zero flag when an ALU operation produces a result of \$00.

## C — Carry/Borrow Flag

The CPU sets the carry/borrow flag when an addition operation produces a carry out of bit 7 of the accumulator or when a subtraction operation requires a borrow. Some logical operations and data manipulation instructions also clear or set the carry/borrow flag.

### 3.6 Instruction Set

The MCU instruction set has 62 instructions and uses eight addressing modes.

#### 3.6.1 Addressing Modes

The CPU uses eight addressing modes for flexibility in accessing data. The addressing modes provide eight different ways for the CPU to find the data required to execute an instruction. The eight addressing modes are:

- Inherent
- Immediate
- Direct
- Extended
- Indexed, no offset
- Indexed, 8-bit offset
- Indexed, 16-bit offset
- Relative

##### 3.6.1.1 *Inherent*

Inherent instructions are those that have no operand, such as return from interrupt (RTI) and stop (STOP). Some of the inherent instructions act on data in the CPU registers, such as set carry flag (SEC) and increment accumulator (INCA). Inherent instructions require no operand address and are one byte long.

##### 3.6.1.2 *Immediate*

Immediate instructions are those that contain a value to be used in an operation with the value in the accumulator or index register. Immediate instructions require no operand address and are two bytes long. The opcode is the first byte, and the immediate data value is the second byte.

### 3.6.1.3 *Direct*

Direct instructions can access any of the first 256 memory locations with two bytes. The first byte is the opcode, and the second is the low byte of the operand address. In direct addressing, the CPU automatically uses \$00 as the high byte of the operand address.

### 3.6.1.4 *Extended*

Extended instructions use three bytes and can access any address in memory. The first byte is the opcode; the second and third bytes are the high and low bytes of the operand address.

When using the Freescale assembler, the programmer does not need to specify whether an instruction is direct or extended. The assembler automatically selects the shortest form of the instruction.

### 3.6.1.5 *Indexed, No Offset*

Indexed instructions with no offset are 1-byte instructions that can access data with variable addresses within the first 256 memory locations. The index register contains the low byte of the effective address of the operand. The CPU automatically uses \$00 as the high byte, so these instructions can address locations \$0000–\$00FF.

Indexed, no offset instructions are often used to move a pointer through a table or to hold the address of a frequently used RAM or input/output (I/O) location.

### 3.6.1.6 *Indexed, 8-Bit Offset*

Indexed, 8-bit offset instructions are 2-byte instructions that can access data with variable addresses within the first 511 memory locations. The CPU adds the unsigned byte in the index register to the unsigned byte following the opcode. The sum is the effective address of the operand. These instructions can access locations \$0000–\$01FE.

Indexed 8-bit offset instructions are useful for selecting the kth element in an n-element table. The table can begin anywhere within the first 256 memory locations and could extend as far as location 510 (\$01FE).

The k value is typically in the index register, and the address of the beginning of the table is in the byte following the opcode.

### 3.6.1.7 Indexed, 16-Bit Offset

Indexed, 16-bit offset instructions are 3-byte instructions that can access data with variable addresses at any location in memory. The CPU adds the unsigned byte in the index register to the two unsigned bytes following the opcode. The sum is the effective address of the operand. The first byte after the opcode is the high byte of the 16-bit offset; the second byte is the low byte of the offset.

Indexed, 16-bit offset instructions are useful for selecting the kth element in an n-element table anywhere in memory.

As with direct and extended addressing, the Freescale assembler determines the shortest form of indexed addressing.

### 3.6.1.8 Relative

Relative addressing is only for branch instructions. If the branch condition is true, the CPU finds the effective branch destination by adding the signed byte following the opcode to the contents of the program counter. If the branch condition is not true, the CPU goes to the next instruction. The offset is a signed, two's complement byte that gives a branching range of  $-128$  to  $+127$  bytes from the address of the next location after the branch instruction.

When using the Freescale assembler, the programmer does not need to calculate the offset because the assembler determines the proper offset and verifies that it is within the span of the branch.

## 3.6.2 Instruction Types

The MCU instructions fall into these five categories:

- Register/memory instructions
- Read-modify-write instructions
- Jump/branch instructions
- Bit manipulation instructions
- Control instructions

### 3.6.2.1 Register/Memory Instructions

These instructions operate on CPU registers and memory locations. Most of them use two operands. One operand is in either the accumulator or the index register. The CPU finds the other operand in memory.

**Table 3-1. Register/Memory Instructions**

Instruction	Mnemonic
Add memory byte and carry bit to accumulator	ADC
Add memory byte to accumulator	ADD
AND memory byte with accumulator	AND
Bit test accumulator	BIT
Compare accumulator	CMP
Compare index register with memory byte	CPX
EXCLUSIVE OR accumulator with memory byte	EOR
Load accumulator with memory byte	LDA
Load index register with memory byte	LDX
Multiply	MUL
OR accumulator with memory byte	ORA
Subtract memory byte and carry bit from accumulator	SBC
Store accumulator in memory	STA
Store index register in memory	STX
Subtract memory byte from accumulator	SUB

3.6.2.2 Read-Modify-Write Instructions

These instructions read a memory location or a register, modify its contents, and write the modified value back to the memory location or to the register.

**NOTE:** Do not use read-modify-write instructions on registers with write-only bits.

**Table 3-2. Read-Modify-Write Instructions**

Instruction	Mnemonic
Arithmetic shift left (same as LSL)	ASL
Arithmetic shift right	ASR
Bit clear	BCLR <sup>(1)</sup>
Bit set	BSET <sup>(1)</sup>
Clear register	CLR
Complement (one's complement)	COM
Decrement	DEC
Increment	INC
Logical shift left (same as ASL)	LSL
Logical shift right	LSR
Negate (two's complement)	NEG
Rotate left through carry bit	ROL
Rotate right through carry bit	ROR
Test for negative or zero	TST <sup>(2)</sup>

1. Unlike other read-modify-write instructions, BCLR and BSET use only direct addressing.
2. TST is an exception to the read-modify-write sequence because it does not write a replacement value.



### 3.6.2.3 Jump/Branch Instructions

Jump instructions allow the CPU to interrupt the normal sequence of the program counter. The unconditional jump instruction (JMP) and the jump-to-subroutine instruction (JSR) have no register operand. Branch instructions allow the CPU to interrupt the normal sequence of the program counter when a test condition is met. If the test condition is not met, the branch is not performed.

The BRCLR and BRSET instructions cause a branch based on the state of any readable bit in the first 256 memory locations. These 3-byte instructions use a combination of direct addressing and relative addressing. The direct address of the byte to be tested is in the byte following the opcode. The third byte is the signed offset byte. The CPU finds the effective branch destination by adding the third byte to the program counter if the specified bit tests true. The bit to be tested and its condition (set or clear) is part of the opcode. The span of branching is from  $-128$  to  $+127$  from the address of the next location after the branch instruction. The CPU also transfers the tested bit to the carry/borrow bit of the condition code register.

**NOTE:** *Do not use BRCLR or BRSET instructions on registers with write-only bits.*

Table 3-3. Jump and Branch Instructions

Instruction	Mnemonic
Branch if carry bit clear	BCC
Branch if carry bit set	BCS
Branch if equal	BEQ
Branch if half-carry bit clear	BHCC
Branch if half-carry bit set	BHCS
Branch if higher	BHI
Branch if higher or same	BHS
Branch if $\overline{IRQ}$ pin high	BIH
Branch if $\overline{IRQ}$ pin low	BIL
Branch if lower	BLO
Branch if lower or same	BLS
Branch if interrupt mask clear	BMC
Branch if minus	BMI
Branch if interrupt mask set	BMS
Branch if not equal	BNE
Branch if plus	BPL
Branch always	BRA
Branch if bit clear	BRCLR
Branch never	BRN
Branch if bit set	BRSET
Branch to subroutine	BSR
Unconditional jump	JMP
Jump to subroutine	JSR

### 3.6.2.4 Bit Manipulation Instructions

The CPU can set or clear any writable bit in the first 256 bytes of memory, which includes I/O registers and on-chip RAM locations. The CPU can also test and branch based on the state of any bit in any of the first 256 memory locations.

**Table 3-4. Bit Manipulation Instructions**

Instruction	Mnemonic
Bit clear	BCLR
Branch if bit clear	BRCLR
Branch if bit set	BRSET
Bit set	BSET

**NOTE:** Do not use bit manipulation instructions on registers with write-only bits.

3.6.2.5 Control Instructions

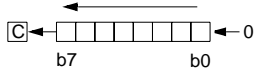
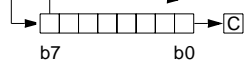
These instructions act on CPU registers and control CPU operation during program execution.

**Table 3-5. Control Instructions**

Instruction	Mnemonic
Clear carry bit	CLC
Clear interrupt mask	CLI
No operation	NOP
Reset stack pointer	RSP
Return from interrupt	RTI
Return from subroutine	RTS
Set carry bit	SEC
Set interrupt mask	SEI
Stop oscillator and enable $\overline{\text{IRQ}}$ pin	STOP
Software interrupt	SWI
Transfer accumulator to index register	TAX
Transfer index register to accumulator	TXA
Stop CPU clock and enable interrupts	WAIT

3.7 Instruction Set Summary

Table 3-6. Instruction Set Summary (Sheet 1 of 6)

Source Form	Operation	Description	Effect on CCR					Address Mode	Opcode	Operand	Cycles
			H	I	N	Z	C				
ADC #opr ADC opr ADC opr ADC opr,X ADC opr,X ADC ,X	Add with Carry	$A \leftarrow (A) + (M) + (C)$	↑	—	↑	↑	↑	IMM DIR EXT IX2 IX1 IX	A9 B9 C9 D9 E9 F9	ii dd hh ll ee ff ff	2 3 4 5 4 3
ADD #opr ADD opr ADD opr ADD opr,X ADD opr,X ADD ,X	Add without Carry	$A \leftarrow (A) + (M)$	↑	—	↑	↑	↑	IMM DIR EXT IX2 IX1 IX	AB BB CB DB EB FB	ii dd hh ll ee ff ff	2 3 4 5 4 3
AND #opr AND opr AND opr AND opr,X AND opr,X AND ,X	Logical AND	$A \leftarrow (A) \wedge (M)$	—	—	↑	↑	—	IMM DIR EXT IX2 IX1 IX	A4 B4 C4 D4 E4 F4	ii dd hh ll ee ff ff	2 3 4 5 4 3
ASL opr ASLA ASLX ASL opr,X ASL ,X	Arithmetic Shift Left (Same as LSL)		—	—	↑	↑	↑	DIR INH INH IX1 IX	38 48 58 68 78	dd ff	5 3 3 6 5
ASR opr ASRA ASRX ASR opr,X ASR ,X	Arithmetic Shift Right		—	—	↑	↑	↑	DIR INH INH IX1 IX	37 47 57 67 77	dd ff	5 3 3 6 5
BCC rel	Branch if Carry Bit Clear	$PC \leftarrow (PC) + 2 + rel ? C = 0$	—	—	—	—	—	REL	24	rr	3
BCLR n opr	Clear Bit n	$M_n \leftarrow 0$	—	—	—	—	—	DIR (b0) DIR (b1) DIR (b2) DIR (b3) DIR (b4) DIR (b5) DIR (b6) DIR (b7)	11 13 15 17 19 1B 1D 1F	dd dd dd dd dd dd dd dd	5 5 5 5 5 5 5 5
BCS rel	Branch if Carry Bit Set (Same as BLO)	$PC \leftarrow (PC) + 2 + rel ? C = 1$	—	—	—	—	—	REL	25	rr	3
BEQ rel	Branch if Equal	$PC \leftarrow (PC) + 2 + rel ? Z = 1$	—	—	—	—	—	REL	27	rr	3
BHCC rel	Branch if Half-Carry Bit Clear	$PC \leftarrow (PC) + 2 + rel ? H = 0$	—	—	—	—	—	REL	28	rr	3
BHCS rel	Branch if Half-Carry Bit Set	$PC \leftarrow (PC) + 2 + rel ? H = 1$	—	—	—	—	—	REL	29	rr	3

Central Processor Unit (CPU)

Table 3-6. Instruction Set Summary (Sheet 2 of 6)

Source Form	Operation	Description	Effect on CCR					Address Mode	Opcode	Operand	Cycles
			H	I	N	Z	C				
BHI <i>rel</i>	Branch if Higher	$PC \leftarrow (PC) + 2 + rel ? C \vee Z = 0$	—	—	—	—	—	REL	22	rr	3
BHS <i>rel</i>	Branch if Higher or Same	$PC \leftarrow (PC) + 2 + rel ? C = 0$	—	—	—	—	—	REL	24	rr	3
BIH <i>rel</i>	Branch if IRQ Pin High	$PC \leftarrow (PC) + 2 + rel ? IRQ = 1$	—	—	—	—	—	REL	2F	rr	3
BIL <i>rel</i>	Branch if IRQ Pin Low	$PC \leftarrow (PC) + 2 + rel ? IRQ = 0$	—	—	—	—	—	REL	2E	rr	3
BIT # <i>opr</i> BIT <i>opr</i> BIT <i>opr</i> BIT <i>opr</i> ,X BIT <i>opr</i> ,X BIT ,X	Bit Test Accumulator with Memory Byte	$(A) \wedge (M)$	—	—	↓	↓	—	IMM DIR EXT IX2 IX1 IX	A5 B5 C5 D5 E5 F5	ii dd hh ll ee ff ff	2 3 4 5 4 3
BLO <i>rel</i>	Branch if Lower (Same as BCS)	$PC \leftarrow (PC) + 2 + rel ? C = 1$	—	—	—	—	—	REL	25	rr	3
BLS <i>rel</i>	Branch if Lower or Same	$PC \leftarrow (PC) + 2 + rel ? C \vee Z = 1$	—	—	—	—	—	REL	23	rr	3
BMC <i>rel</i>	Branch if Interrupt Mask Clear	$PC \leftarrow (PC) + 2 + rel ? I = 0$	—	—	—	—	—	REL	2C	rr	3
BMI <i>rel</i>	Branch if Minus	$PC \leftarrow (PC) + 2 + rel ? N = 1$	—	—	—	—	—	REL	2B	rr	3
BMS <i>rel</i>	Branch if Interrupt Mask Set	$PC \leftarrow (PC) + 2 + rel ? I = 1$	—	—	—	—	—	REL	2D	rr	3
BNE <i>rel</i>	Branch if Not Equal	$PC \leftarrow (PC) + 2 + rel ? Z = 0$	—	—	—	—	—	REL	26	rr	3
BPL <i>rel</i>	Branch if Plus	$PC \leftarrow (PC) + 2 + rel ? N = 0$	—	—	—	—	—	REL	2A	rr	3
BRA <i>rel</i>	Branch Always	$PC \leftarrow (PC) + 2 + rel ? 1 = 1$	—	—	—	—	—	REL	20	rr	3
BRCLR <i>n opr rel</i>	Branch if Bit n Clear	$PC \leftarrow (PC) + 2 + rel ? Mn = 0$	—	—	—	—	↓	DIR (b0) DIR (b1) DIR (b2) DIR (b3) DIR (b4) DIR (b5) DIR (b6) DIR (b7)	01 03 05 07 09 0B 0D 0F	dd rr dd rr dd rr dd rr dd rr dd rr dd rr dd rr	5 5 5 5 5 5 5 5
BRN <i>rel</i>	Branch Never	$PC \leftarrow (PC) + 2 + rel ? 1 = 0$	—	—	—	—	—	REL	21	rr	3
BRSET <i>n opr rel</i>	Branch if Bit n Set	$PC \leftarrow (PC) + 2 + rel ? Mn = 1$	—	—	—	—	↓	DIR (b0) DIR (b1) DIR (b2) DIR (b3) DIR (b4) DIR (b5) DIR (b6) DIR (b7)	00 02 04 06 08 0A 0C 0E	dd rr dd rr dd rr dd rr dd rr dd rr dd rr dd rr	5 5 5 5 5 5 5 5
BSET <i>n opr</i>	Set Bit n	$Mn \leftarrow 1$	—	—	—	—	—	DIR (b0) DIR (b1) DIR (b2) DIR (b3) DIR (b4) DIR (b5) DIR (b6) DIR (b7)	10 12 14 16 18 1A 1C 1E	dd dd dd dd dd dd dd dd	5 5 5 5 5 5 5 5

Table 3-6. Instruction Set Summary (Sheet 3 of 6)

Source Form	Operation	Description	Effect on CCR					Address Mode	Opcode	Operand	Cycles
			H	I	N	Z	C				
BSR <i>rel</i>	Branch to Subroutine	PC ← (PC) + 2; push (PCL) SP ← (SP) - 1; push (PCH) SP ← (SP) - 1 PC ← (PC) + <i>rel</i>	—	—	—	—	—	REL	AD	rr	6
CLC	Clear Carry Bit	C ← 0	—	—	—	—	0	INH	98		2
CLI	Clear Interrupt Mask	I ← 0	—	0	—	—	—	INH	9A		2
CLR <i>opr</i> CLRA CLR X CLR <i>opr,X</i> CLR ,X	Clear Byte	M ← \$00 A ← \$00 X ← \$00 M ← \$00 M ← \$00	—	—	0	1	—	DIR INH INH IX1 IX	3F 4F 5F 6F 7F	dd  ff	5 3 3 6 5
CMP # <i>opr</i> CMP <i>opr</i> CMP <i>opr</i> CMP <i>opr,X</i> CMP <i>opr,X</i> CMP ,X	Compare Accumulator with Memory Byte	(A) - (M)	—	—	↑	↑	↑	IMM DIR EXT IX2 IX1 IX	A1 B1 C1 D1 E1 F1	ii dd hh ll ee ff ff	2 3 4 5 4 3
COM <i>opr</i> COMA COM X COM <i>opr,X</i> COM ,X	Complement Byte (One's Complement)	M ← ( $\overline{M}$ ) = \$FF - (M) A ← ( $\overline{A}$ ) = \$FF - (A) X ← ( $\overline{X}$ ) = \$FF - (X) M ← ( $\overline{M}$ ) = \$FF - (M) M ← ( $\overline{M}$ ) = \$FF - (M)	—	—	↑	↑	1	DIR INH INH IX1 IX	33 43 53 63 73	dd  ff	5 3 3 6 5
CPX # <i>opr</i> CPX <i>opr</i> CPX <i>opr</i> CPX <i>opr,X</i> CPX <i>opr,X</i> CPX ,X	Compare Index Register with Memory Byte	(X) - (M)	—	—	↑	↑	↑	IMM DIR EXT IX2 IX1 IX	A3 B3 C3 D3 E3 F3	ii dd hh ll ee ff ff	2 3 4 5 4 3
DEC <i>opr</i> DECA DEC X DEC <i>opr,X</i> DEC ,X	Decrement Byte	M ← (M) - 1 A ← (A) - 1 X ← (X) - 1 M ← (M) - 1 M ← (M) - 1	—	—	↑	↑	—	DIR INH INH IX1 IX	3A 4A 5A 6A 7A	dd  ff	5 3 3 6 5
EOR # <i>opr</i> EOR <i>opr</i> EOR <i>opr</i> EOR <i>opr,X</i> EOR <i>opr,X</i> EOR ,X	EXCLUSIVE OR Accumulator with Memory Byte	A ← (A) ⊕ (M)	—	—	↑	↑	—	IMM DIR EXT IX2 IX1 IX	A8 B8 C8 D8 E8 F8	ii dd hh ll ee ff ff	2 3 4 5 4 3
INC <i>opr</i> INCA INC X INC <i>opr,X</i> INC ,X	Increment Byte	M ← (M) + 1 A ← (A) + 1 X ← (X) + 1 M ← (M) + 1 M ← (M) + 1	—	—	↑	↑	—	DIR INH INH IX1 IX	3C 4C 5C 6C 7C	dd  ff	5 3 3 6 5

Table 3-6. Instruction Set Summary (Sheet 4 of 6)

Source Form	Operation	Description	Effect on CCR					Address Mode	Opcode	Operand	Cycles
			H	I	N	Z	C				
JMP <i>opr</i> JMP <i>opr</i> JMP <i>opr,X</i> JMP <i>opr,X</i> JMP ,X	Unconditional Jump	PC ← Jump Address	—	—	—	—	—	DIR EXT IX2 IX1 IX	BC CC DC EC FC	dd hh ll ee ff ff ff	2 3 4 3 2
JSR <i>opr</i> JSR <i>opr</i> JSR <i>opr,X</i> JSR <i>opr,X</i> JSR ,X	Jump to Subroutine	PC ← (PC) + n (n = 1, 2, or 3) Push (PCL); SP ← (SP) - 1 Push (PCH); SP ← (SP) - 1 PC ← Effective Address	—	—	—	—	—	DIR EXT IX2 IX1 IX	BD CD DD ED FD	dd hh ll ee ff ff ff	5 6 7 6 5
LDA # <i>opr</i> LDA <i>opr</i> LDA <i>opr</i> LDA <i>opr,X</i> LDA <i>opr,X</i> LDA ,X	Load Accumulator with Memory Byte	A ← (M)	—	—	↑	↑	—	IMM DIR EXT IX2 IX1 IX	A6 B6 C6 D6 E6 F6	ii dd hh ll ee ff ff ff	2 3 4 5 4 3
LDX # <i>opr</i> LDX <i>opr</i> LDX <i>opr</i> LDX <i>opr,X</i> LDX <i>opr,X</i> LDX ,X	Load Index Register with Memory Byte	X ← (M)	—	—	↑	↑	—	IMM DIR EXT IX2 IX1 IX	AE BE CE DE EE FE	ii dd hh ll ee ff ff ff	2 3 4 5 4 3
LSL <i>opr</i> LSLA LSLX LSL <i>opr,X</i> LSL ,X	Logical Shift Left (Same as ASL)		—	—	↑	↑	↑	DIR INH INH IX1 IX	38 48 58 68 78	dd ff ff	5 3 3 6 5
LSR <i>opr</i> LSRA LSRX LSR <i>opr,X</i> LSR ,X	Logical Shift Right		—	—	0	↑	↑	DIR INH INH IX1 IX	34 44 54 64 74	dd ff ff	5 3 3 6 5
MUL	Unsigned Multiply	X : A ← (X) × (A)	0	—	—	—	0	INH	42		11
NEG <i>opr</i> NEGA NEGX NEG <i>opr,X</i> NEG ,X	Negate Byte (Two's Complement)	M ← -(M) = \$00 - (M) A ← -(A) = \$00 - (A) X ← -(X) = \$00 - (X) M ← -(M) = \$00 - (M) M ← -(M) = \$00 - (M)	—	—	↑	↑	↑	DIR INH INH IX1 IX	30 40 50 60 70	dd ff ff	5 3 3 6 5
NOP	No Operation		—	—	—	—	—	INH	9D		2
ORA # <i>opr</i> ORA <i>opr</i> ORA <i>opr</i> ORA <i>opr,X</i> ORA <i>opr,X</i> ORA ,X	Logical OR Accumulator with Memory	A ← (A) ∨ (M)	—	—	↑	↑	—	IMM DIR EXT IX2 IX1 IX	AA BA CA DA EA FA	ii dd hh ll ee ff ff ff	2 3 4 5 4 3



Table 3-6. Instruction Set Summary (Sheet 5 of 6)

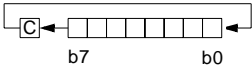
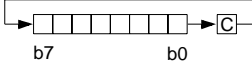
Source Form	Operation	Description	Effect on CCR					Address Mode	Opcode	Operand	Cycles
			H	I	N	Z	C				
ROL <i>opr</i> ROLA ROLX ROL <i>opr</i> ,X ROL ,X	Rotate Byte Left through Carry Bit		—	—	↑	↑	↑	DIR INH INH IX1 IX	39 49 59 69 79	dd  ff	5 3 3 6 5
ROR <i>opr</i> RORA RORX ROR <i>opr</i> ,X ROR ,X	Rotate Byte Right through Carry Bit		—	—	↑	↑	↑	DIR INH INH IX1 IX	36 46 56 66 76	dd  ff	5 3 3 6 5
RSP	Reset Stack Pointer	SP ← \$00FF	—	—	—	—	—	INH	9C		2
RTI	Return from Interrupt	SP ← (SP) + 1; Pull (CCR) SP ← (SP) + 1; Pull (A) SP ← (SP) + 1; Pull (X) SP ← (SP) + 1; Pull (PCH) SP ← (SP) + 1; Pull (PCL)	↑	↑	↑	↑	↑	INH	80		9
RTS	Return from Subroutine	SP ← (SP) + 1; Pull (PCH) SP ← (SP) + 1; Pull (PCL)	—	—	—	—	—	INH	81		6
SBC # <i>opr</i> SBC <i>opr</i> SBC <i>opr</i> SBC <i>opr</i> ,X SBC <i>opr</i> ,X SBC ,X	Subtract Memory Byte and Carry Bit from Accumulator	A ← (A) – (M) – (C)	—	—	↑	↑	↑	IMM DIR EXT IX2 IX1 IX	A2 B2 C2 D2 E2 F2	ii dd hh ll ee ff ff	2 3 4 5 4 3
SEC	Set Carry Bit	C ← 1	—	—	—	—	1	INH	99		2
SEI	Set Interrupt Mask	I ← 1	—	1	—	—	—	INH	9B		2
STA <i>opr</i> STA <i>opr</i> STA <i>opr</i> ,X STA <i>opr</i> ,X STA ,X	Store Accumulator in Memory	M ← (A)	—	—	↑	↑	—	DIR EXT IX2 IX1 IX	B7 C7 D7 E7 F7	dd hh ll ee ff ff	4 5 6 5 4
STOP	Stop Oscillator and Enable IRQ Pin		—	0	—	—	—	INH	8E		2
STX <i>opr</i> STX <i>opr</i> STX <i>opr</i> ,X STX <i>opr</i> ,X STX ,X	Store Index Register In Memory	M ← (X)	—	—	↑	↑	—	DIR EXT IX2 IX1 IX	BF CF DF EF FF	dd hh ll ee ff ff	4 5 6 5 4
SUB # <i>opr</i> SUB <i>opr</i> SUB <i>opr</i> SUB <i>opr</i> ,X SUB <i>opr</i> ,X SUB ,X	Subtract Memory Byte from Accumulator	A ← (A) – (M)	—	—	↑	↑	↑	IMM DIR EXT IX2 IX1 IX	A0 B0 C0 D0 E0 F0	ii dd hh ll ee ff ff	2 3 4 5 4 3

Table 3-6. Instruction Set Summary (Sheet 6 of 6)

Source Form	Operation	Description	Effect on CCR					Address Mode	Opcode	Operand	Cycles
			H	I	N	Z	C				
SWI	Software Interrupt	PC ← (PC) + 1; Push (PCL) SP ← (SP) - 1; Push (PCH) SP ← (SP) - 1; Push (X) SP ← (SP) - 1; Push (A) SP ← (SP) - 1; Push (CCR) SP ← (SP) - 1; I ← 1 PCH ← Interrupt Vector High Byte PCL ← Interrupt Vector Low Byte	—	1	—	—	—	INH	83		10
TAX	Transfer Accumulator to Index Register	X ← (A)	—	—	—	—	—	INH	97		2
TST <i>opr</i> TSTA TSTX TST <i>opr,X</i> TST ,X	Test Memory Byte for Negative or Zero	(M) - \$00	—	—	↑	↓	—	DIR INH INH IX1 IX	3D 4D 5D 6D 7D	dd  ff	4 3 3 5 4
TXA	Transfer Index Register to Accumulator	A ← (X)	—	—	—	—	—	INH	9F		2
WAIT	Stop CPU Clock and Enable Interrupts		—	↑	—	—	—	INH	8F		2

- |       |   |            |                                      |
|-------|---|------------|--------------------------------------|
| A     | Accumulator   | <i>opr</i> | Operand (one or two bytes)           |
| C     | Carry/borrow flag   | PC         | Program counter                      |
| CCR   | Condition code register   | PCH        | Program counter high byte            |
| dd    | Direct address of operand   | PCL        | Program counter low byte             |
| dd rr | Direct address of operand and relative offset of branch instruction | REL        | Relative addressing mode             |
| DIR   | Direct addressing mode  | <i>rel</i> | Relative program counter offset byte |
| ee ff | High and low bytes of offset in indexed, 16-bit offset addressing   | rr         | Relative program counter offset byte |
| EXT   | Extended addressing mode  | SP         | Stack pointer                        |
| ff    | Offset byte in indexed, 8-bit offset addressing                     | X          | Index register                       |
| H     | Half-carry flag   | Z          | Zero flag                            |
| hh ll | High and low bytes of operand address in extended addressing        | #          | Immediate value                      |
| I     | Interrupt mask  | ^          | Logical AND                          |
| ii    | Immediate operand byte  | ∨          | Logical OR                           |
| IMM   | Immediate addressing mode   | ⊕          | Logical EXCLUSIVE OR                 |
| INH   | Inherent addressing mode  | ( )        | Contents of                          |
| IX    | Indexed, no offset addressing mode                                  | -( )       | Negation (two's complement)          |
| IX1   | Indexed, 8-bit offset addressing mode                               | ←          | Loaded with                          |
| IX2   | Indexed, 16-bit offset addressing mode                              | ?          | If                                   |
| M     | Memory location   | :          | Concatenated with                    |
| N     | Negative flag   | ↑          | Set or cleared                       |
| n     | Any bit   | —          | Not affected                         |

### 3.8 Opcode Map

See [Table 3-7](#).

**Table 3-7. Opcode Map**

MSB LSB	Bit Manipulation		Branch		Read-Modify-Write				Control			Register/Memory						MSB LSB
	DIR	DIR	REL	REL	DIR	INH	INH	INH	IX1	IX	INH	INH	IMM	DIR	EXT	IX2	IX1	
0	3	5	3	3	5	3	4	5	6	7	8	9	A	B	C	D	E	F
	BRSET0	BSET0	BRA	NEG	NEG	NEGX	NEGA	NEG	NEG	NEG	RTI		SUB	SUB	SUB	SUB	SUB	SUB
1	3	5	3	3							RTS		CMP	CMP	CMP	CMP	CMP	CMP
	BRCLR0	BCLR0	BRN										SBC	SBC	SBC	SBC	SBC	SBC
2	3	5	3	3			11											
	BRSET1	BSET1	BHI				MUL											
3	3	5	3	3	5	3	4	5	6	7	8	9	CPX	CPX	CPX	CPX	CPX	CPX
	BRCLR1	BCLR1	BLS	COM	COMX	COMA	COM	COM	COM	COM	SWI		CPX	CPX	CPX	CPX	CPX	CPX
4	3	5	3	3	5	3	4	5	6	7			AND	AND	AND	AND	AND	AND
	BRSET2	BSET2	BCC	LSR	LSRX	LSRA	LSR	LSR	LSR	LSR			AND	AND	AND	AND	AND	AND
5	3	5	3	3									BIT	BIT	BIT	BIT	BIT	BIT
	BRCLR2	BCLR2	BCS/BLO										BIT	BIT	BIT	BIT	BIT	BIT
6	3	5	3	3	5	3	4	5	6	7			LDA	LDA	LDA	LDA	LDA	LDA
	BRSET3	BSET3	BNE	ROR	RORX	RORA	ROR	ROR	ROR	ROR			LDA	LDA	LDA	LDA	LDA	LDA
7	3	5	3	3	5	3	4	5	6	7		TAX	STA	STA	STA	STA	STA	STA
	BRCLR3	BCLR3	BEQ	ASR	ASRX	ASRA	ASR	ASR	ASR	ASR			STA	STA	STA	STA	STA	STA
8	3	5	3	3	5	3	4	5	6	7			EOR	EOR	EOR	EOR	EOR	EOR
	BRSET4	BSET4	BHCC	ASL/LSL	ASLX/LSLX	ASLA/LSLA	ASL/LSL	ASL/LSL	ASL/LSL	ASL/LSL			EOR	EOR	EOR	EOR	EOR	EOR
9	3	5	3	3	5	3	4	5	6	7			ADC	ADC	ADC	ADC	ADC	ADC
	BRCLR4	BCLR4	BHCS	ROL	ROLX	ROLA	ROL	ROL	ROL	ROL			ADC	ADC	ADC	ADC	ADC	ADC
A	3	5	3	3	5	3	4	5	6	7			ORA	ORA	ORA	ORA	ORA	ORA
	BRSET5	BSET5	BPL	DEC	DECX	DECA	DEC	DEC	DEC	DEC			ORA	ORA	ORA	ORA	ORA	ORA
B	3	5	3	3									ADD	ADD	ADD	ADD	ADD	ADD
	BRCLR5	BCLR5	BMI										ADD	ADD	ADD	ADD	ADD	ADD
C	3	5	3	3	5	3	4	5	6	7			JMP	JMP	JMP	JMP	JMP	JMP
	BRSET6	BSET6	BMC	INC	INCX	INCA	INC	INC	INC	INC			JMP	JMP	JMP	JMP	JMP	JMP
D	3	5	3	3	5	3	4	5	6	7			JSR	JSR	JSR	JSR	JSR	JSR
	BRCLR6	BCLR6	BMS	TST	TSTX	TSTA	TST	TST	TST	TST			JSR	JSR	JSR	JSR	JSR	JSR
E	3	5	3	3							STOP		LDX	LDX	LDX	LDX	LDX	LDX
	BRSET7	BSET7	BIL										LDX	LDX	LDX	LDX	LDX	LDX
F	3	5	3	3	5	3	4	5	6	7			STX	STX	STX	STX	STX	STX
	BRCLR7	BCLR7	BIH	CLR	CLRX	CLRA	CLR	CLR	CLR	CLR			STX	STX	STX	STX	STX	STX

INH = Inherent  
 IMM = Immediate  
 DIR = Direct  
 EXT = Extended  
 REL = Relative  
 IX = Indexed, No Offset  
 IX1 = Indexed, 8-Bit Offset  
 IX2 = Indexed, 16-Bit Offset  
 MSB of Opcode in Hexadecimal  
 Number of Cycles  
 Opcode Mnemonic  
 Number of Bytes/Addressing Mode



## Section 4. Resets and Interrupts

### 4.1 Contents

4.2	Introduction . . . . .	69
4.3	Resets . . . . .	70
4.3.1	Power-On Reset . . . . .	71
4.3.2	External Reset . . . . .	72
4.3.3	COP Watchdog Reset . . . . .	72
4.3.4	Illegal Address Reset . . . . .	72
4.4	Interrupts . . . . .	73
4.4.1	Software Interrupt . . . . .	73
4.4.2	External Interrupt . . . . .	73
4.4.3	Timer Interrupts . . . . .	76
4.4.3.1	Real-Time Interrupt . . . . .	76
4.4.3.2	Timer Overflow Interrupt . . . . .	76
4.4.4	Interrupt Processing . . . . .	76

### 4.2 Introduction

Reset initializes the microcontroller unit (MCU) by returning the program counter to a known address and by forcing control and status bits to known states.

Interrupts temporarily change the sequence of program execution to respond to events that occur during processing.

### 4.3 Resets

A reset immediately stops the operation of the instruction being executed, initializes certain control and status bits, and loads the program counter with a user-defined reset vector address. These sources can generate a reset:

- Power-on reset (POR) circuit
- $\overline{\text{RESET}}$  pin
- Computer operating properly (COP) watchdog
- Illegal address

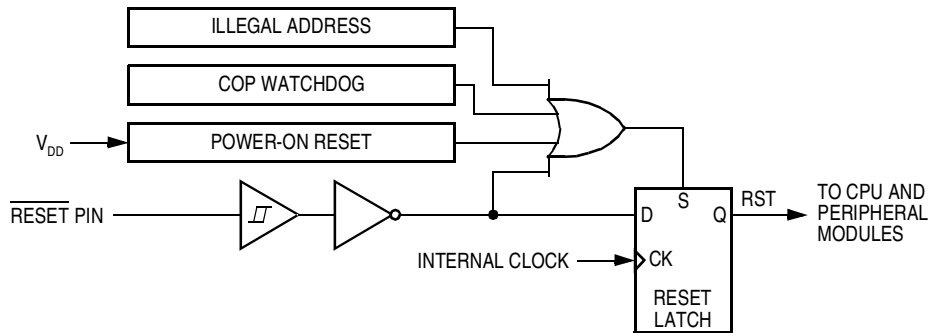


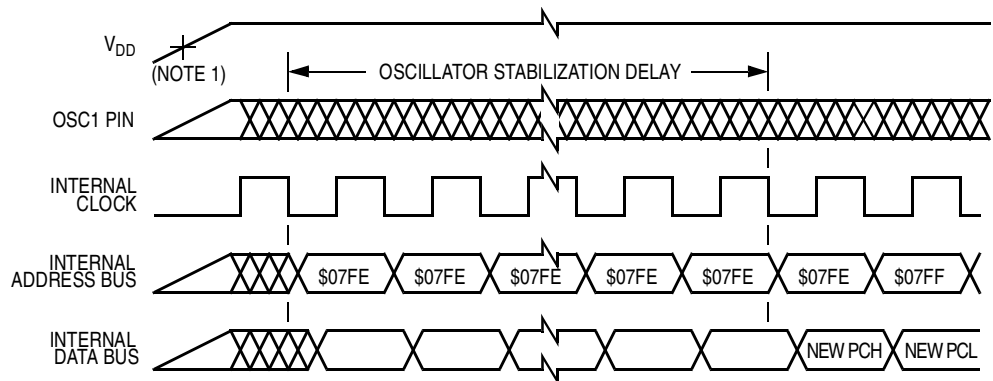
Figure 4-1. Reset Sources

### 4.3.1 Power-On Reset

A positive transition on the  $V_{DD}$  pin generates a power-on reset.

**NOTE:** *The power-on reset is strictly for power-up conditions and cannot be used to detect drops in power supply voltage.*

A  $4064-t_{cyc}$  (internal clock cycle) delay after the oscillator becomes active allows the clock generator to stabilize. If any reset source is active at the end of this delay, the MCU remains in the reset condition until all reset sources are inactive.



Notes:

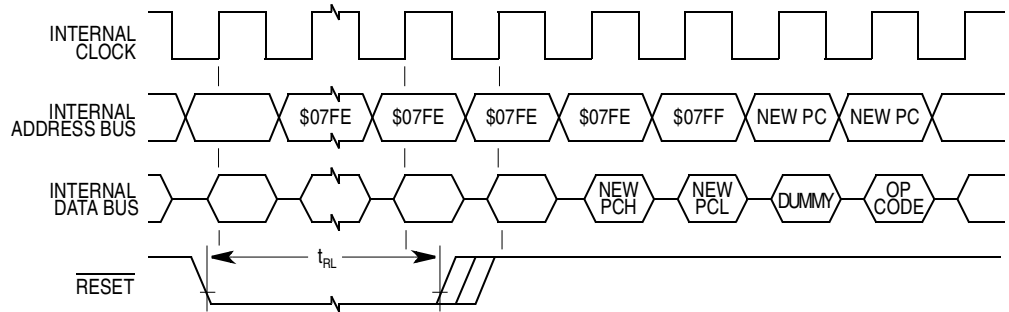
1. Power-on reset threshold is typically between 1 V and 2 V.
2. Internal clock, internal address bus, and internal data bus are not available externally.

**Figure 4-2. Power-On Reset Timing**

Resets and Interrupts

4.3.2 External Reset

A logic 0 applied to the  $\overline{\text{RESET}}$  pin for  $1\ 1/2\ t_{\text{cyc}}$  generates an external reset. A Schmitt trigger senses the logic level at the  $\overline{\text{RESET}}$  pin.



Notes:

1. Internal clock, internal address bus, and internal data bus are not available externally.
2. The next rising edge of the internal clock after the rising edge of  $\overline{\text{RESET}}$  initiates the reset sequence.

Figure 4-3. External Reset Timing

Table 4-1. External Reset Timing

Characteristic	Symbol	Min	Max	Unit
$\overline{\text{RESET}}$ pulse width	$t_{\text{RL}}$	1.5	—	$t_{\text{cyc}}$

4.3.3 COP Watchdog Reset

A timeout of the COP watchdog generates a COP reset. The COP watchdog is part of a software error detection system and must be cleared periodically to start a new timeout period. To clear the COP watchdog and prevent a COP reset, write a logic 0 to bit 0 (COPC) of the COP register at location \$07F0.

4.3.4 Illegal Address Reset

An opcode fetch from an address not in random-access memory (RAM) or erasable, programmable read-only memory (EPROM) generates a reset.



## 4.4 Interrupts

These sources can generate interrupts:

- Software interrupt (SWI) instruction
- External interrupt pins:
  - $\overline{\text{IRQ}}/V_{\text{PP}}$
  - PA0–PA3
- Timer:
  - Real-time interrupt flag (RTIF)
  - Timer overflow flag (TOF)

An interrupt temporarily stops the program sequence to process a particular event. An interrupt does not stop the operation of the instruction being executed, but takes effect when the current instruction completes its execution. Interrupt processing automatically saves the CPU registers on the stack and loads the program counter with a user-defined interrupt vector address.

### 4.4.1 Software Interrupt

The software interrupt (SWI) instruction causes a non-maskable interrupt.

### 4.4.2 External Interrupt

An interrupt signal on the  $\overline{\text{IRQ}}/V_{\text{PP}}$  pin latches an external interrupt request. When the CPU completes its current instruction, it tests the IRQ latch. If the IRQ latch is set, the CPU then tests the I bit in the condition code register. If the I bit is clear, the CPU then begins the interrupt sequence.

The CPU clears the IRQ latch during interrupt processing, so that another interrupt signal on the  $\overline{\text{IRQ}}/\text{V}_{\text{PP}}$  pin can latch another interrupt request during the interrupt service routine. As soon as the I bit is cleared during the return from interrupt, the CPU can recognize the new interrupt request. Figure 4-4 shows the  $\overline{\text{IRQ}}/\text{V}_{\text{PP}}$  pin interrupt logic.

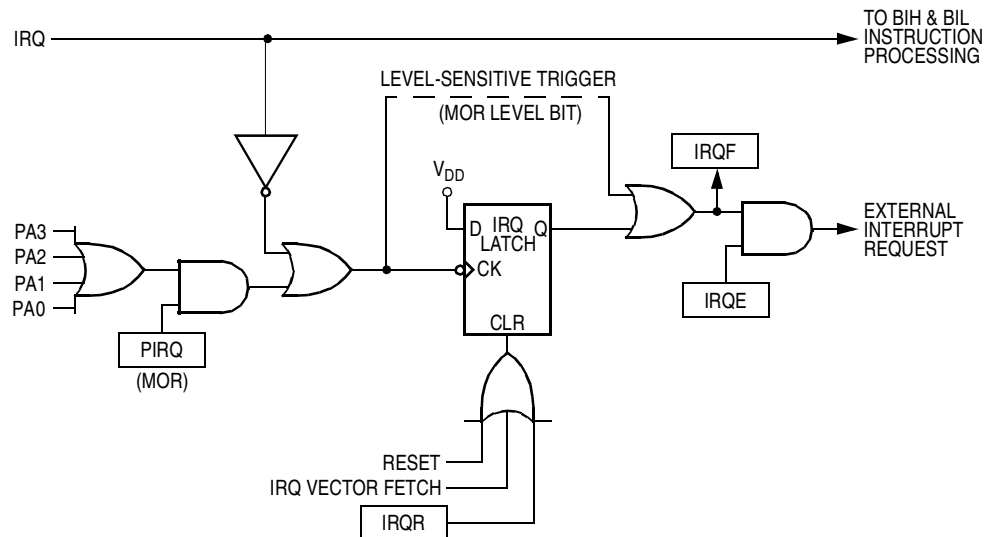


Figure 4-4. External Interrupt Logic

Setting the I bit in the condition code register disables external interrupts.

The port A external interrupt bit (PIRQ) in the mask option register enables pins PA0–PA3 to function as external interrupt pins.

The external interrupt sensitivity bit (LEVEL) in the mask option register controls interrupt triggering sensitivity of external interrupt pins. The  $\overline{\text{IRQ}}/\text{V}_{\text{PP}}$  pin can be negative-edge triggered only or negative-edge and low-level triggered. Port A external interrupt pins can be positive-edge triggered only or both positive-edge and high-level triggered. The level-sensitive triggering option allows multiple external interrupt sources to be wire-ORed to an external interrupt pin. An external interrupt request, shown in Figure 4-5, is latched as long as any source is holding an external interrupt pin low.

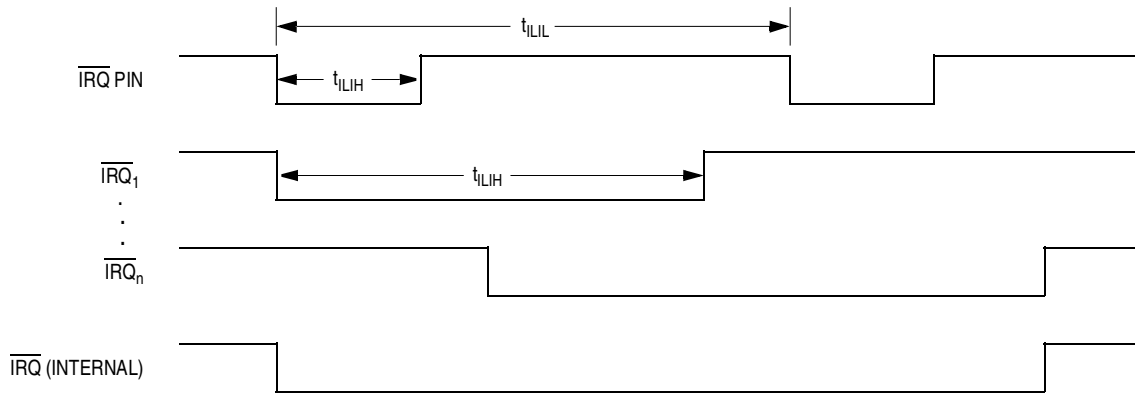


Figure 4-5. External Interrupt Timing

Table 4-2. External Interrupt Timing ( $V_{\text{DD}} = 5.0 \text{ Vdc}$ )<sup>(1)</sup>

Characteristic	Symbol	Min	Max	Unit
Interrupt pulse width low (edge-triggered)	$t_{\text{ILIH}}$	125	—	ns
Interrupt pulse period	$t_{\text{ILIL}}$	Note <sup>(2)</sup>	—	$t_{\text{cyc}}$

- $V_{\text{DD}} = 5.0 \text{ Vdc} \pm 10\%$ ,  $V_{\text{SS}} = 0 \text{ Vdc}$ ,  $T_{\text{A}} = -40^\circ\text{C}$  to  $+105^\circ\text{C}$ , unless otherwise noted
- The minimum,  $t_{\text{ILIL}}$ , should not be less than the number of interrupt service routine cycles plus  $19 t_{\text{cyc}}$ .

Table 4-3. External Interrupt Timing ( $V_{\text{DD}} = 3.3 \text{ Vdc}$ )<sup>(1)</sup>

Characteristic	Symbol	Min	Max	Unit
Interrupt pulse width low (edge-triggered)	$t_{\text{ILIH}}$	250	—	ns
Interrupt pulse period	$t_{\text{ILIL}}$	Note <sup>(2)</sup>	—	$t_{\text{cyc}}$

- $V_{\text{DD}} = 3.3 \text{ Vdc} \pm 10\%$ ,  $V_{\text{SS}} = 0 \text{ Vdc}$ ,  $T_{\text{A}} = -40^\circ\text{C}$  to  $+105^\circ\text{C}$ , unless otherwise noted
- The minimum,  $t_{\text{ILIL}}$ , should not be less than the number of interrupt service routine cycles plus  $19 t_{\text{cyc}}$ .

### 4.4.3 Timer Interrupts

The timer can generate these interrupt requests:

- Real time
- Timer overflow

Setting the I bit in the condition code register disables timer interrupts.

#### 4.4.3.1 Real-Time Interrupt

A real-time interrupt occurs if the real-time interrupt flag, RTIF, becomes set while the real-time interrupt enable bit, RTIE, is also set. RTIF and RTIE are in the timer status and control register.

#### 4.4.3.2 Timer Overflow Interrupt

A timer overflow interrupt request occurs if the timer overflow flag, TOF, becomes set while the timer overflow interrupt enable bit, TOIE, is also set. TOF and TOIE are in the timer status and control register.

### 4.4.4 Interrupt Processing

The CPU takes these actions to begin servicing an interrupt:

- Stores the CPU registers on the stack in the order shown in **Figure 4-6**
- Sets the I bit in the condition code register to prevent further interrupts
- Loads the program counter with the contents of the appropriate interrupt vector locations:
  - \$07FC and \$07FD (software interrupt vector)
  - \$07FA and \$07FB (external interrupt vector)
  - \$07F8 and \$07F9 (timer interrupt vector)

The return-from-interrupt (RTI) instruction causes the CPU to recover the CPU registers from the stack as shown in **Figure 4-6**.

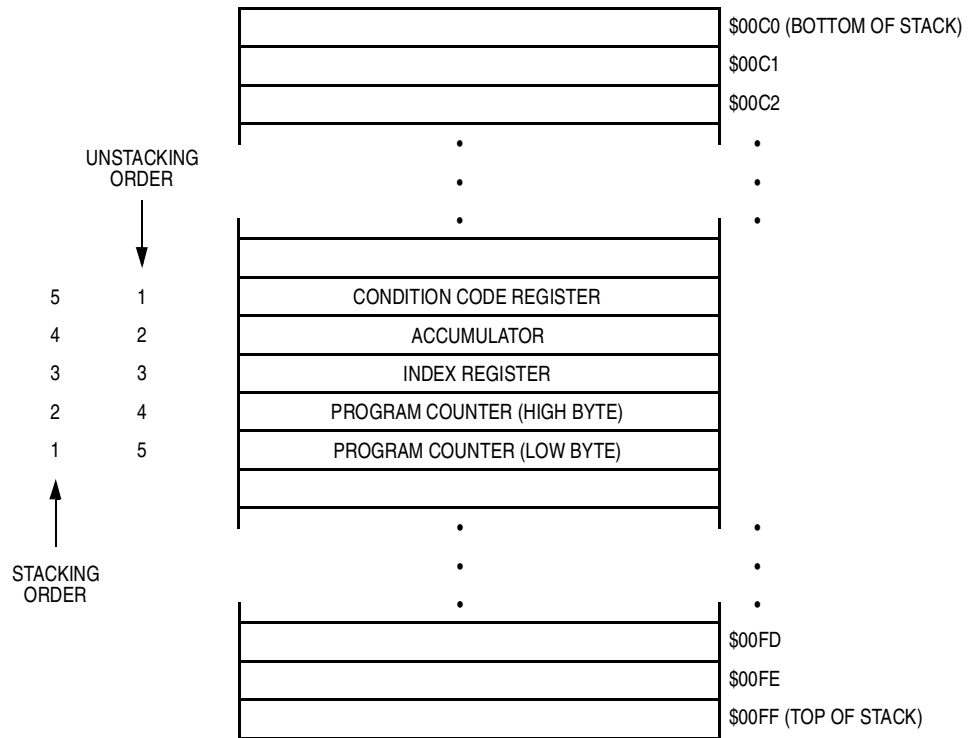


Figure 4-6. Interrupt Stacking Order

Table 4-4. Reset/Interrupt Vector Addresses

Function	Source	Local Mask	Global Mask	Priority (1 = Highest)	Vector Address
Reset	Power-on RESET pin COP watchdog <sup>(1)</sup> illegal address	None	None	1	\$07FE–\$07FF
Software interrupt (SWI)	User code	None	None	Same priority as instruction	\$07FC–\$07FD
External interrupt	$\overline{\text{IRQ}}/\text{V}_{\text{PP}}$ pin	IRQE	I bit	2	\$07FA–\$07FB
Timer interrupts	RTIF bit TOF bit	RTIE bit TOIE bit	I bit	3	\$07F8–\$07F9

1. The COP watchdog is programmable in the mask option register.

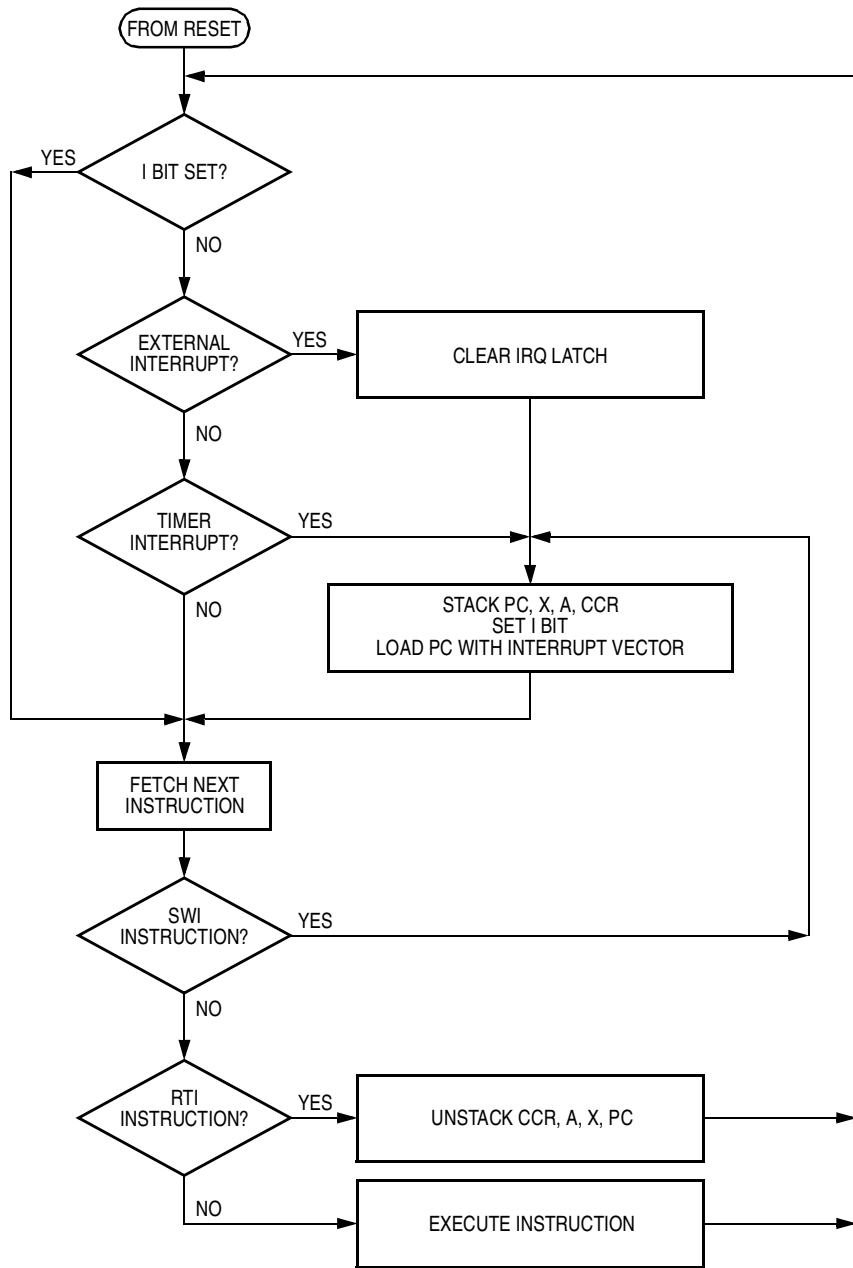


Figure 4-7. Interrupt Flowchart

## Section 5. Low-Power Modes

### 5.1 Contents

5.2	Introduction . . . . .	79
5.3	Exiting Stop and Wait Modes . . . . .	80
5.4	Effects of Stop and Wait Modes . . . . .	81
5.4.1	Clock Generation . . . . .	81
5.4.2	CPU . . . . .	82
5.4.3	COP Watchdog . . . . .	82
5.4.4	Timer . . . . .	83
5.4.5	EPROM/OTPROM . . . . .	84
5.4.6	Data-Retention Mode . . . . .	84
5.5	Timing . . . . .	85

### 5.2 Introduction

The microcontroller unit (MCU) can enter these low-power standby modes:

- Stop mode — The STOP instruction puts the MCU in its lowest power-consumption mode.
- Wait mode — The WAIT instruction puts the MCU in an intermediate power-consumption mode.
- Halt mode — Halt mode is identical to wait mode, except that an oscillator stabilization delay of 1 to 4064 internal clock cycles occurs when the MCU exits halt mode. The stop-to-wait conversion bit, SWAIT, in the mask option register, enables halt mode.

Enabling halt mode prevents the computer operating properly (COP) watchdog from being inadvertently turned off by a STOP instruction.

- Data-retention mode — In data-retention mode, the MCU retains RAM contents and CPU register contents at  $V_{DD}$  voltages as low as 2.0 Vdc. The data-retention feature allows the MCU to remain in a low power-consumption state during which it retains data, but the CPU cannot execute instructions.

### 5.3 Exiting Stop and Wait Modes

The events described in this subsection bring the MCU out of stop mode and load the program counter with the reset vector or with an interrupt vector.

Exiting stop mode:

- External reset — A logic 0 on the  $\overline{\text{RESET}}$  pin resets the MCU, starts the CPU clock, and loads the program counter with the contents of locations \$07FE and \$07FF.
- External interrupt — A high-to-low transition on the  $\overline{\text{IRQ}}/V_{PP}$  pin or a low-to-high transition on an enabled port A external interrupt pin starts the CPU clock and loads the program counter with the contents of locations \$07FA and \$07FB.

Exiting wait mode:

- External reset — A logic 0 on the  $\overline{\text{RESET}}$  pin resets the MCU, starts the CPU clock, and loads the program counter with the contents of locations \$07FE and \$07FF.
- External interrupt — A high-to-low transition on the  $\overline{\text{IRQ}}/V_{PP}$  pin or a low-to-high transition on an enabled port A external interrupt pin starts the CPU clock and loads the program counter with the contents of locations \$07FA and \$07FB.



- COP watchdog reset — A timeout of the COP watchdog resets the MCU, starts the CPU clock, and loads the program counter with the contents of locations \$07FE and \$07FF. Software can enable timer interrupts so that the MCU periodically can exit wait mode to reset the COP watchdog.
- Timer interrupt — Real-time interrupt requests and timer overflow interrupt requests start the MCU clock and load the program counter with the contents of locations \$07F8 and \$07F9.

## 5.4 Effects of Stop and Wait Modes

The STOP and WAIT instructions have the effects described in this subsection on MCU modules.

### 5.4.1 Clock Generation

The STOP instruction:

The STOP instruction disables the internal oscillator, stopping the CPU clock and all peripheral clocks.

After exiting stop mode, the CPU clock and all enabled peripheral clocks begin running after the oscillator stabilization delay.

**NOTE:** *The oscillator stabilization delay holds the MCU in reset for the first 4064 internal clock cycles.*

The WAIT instruction:

The WAIT instruction disables the CPU clock.

After exiting wait mode, the CPU clock and all enabled peripheral clocks immediately begin running.

### 5.4.2 CPU

The STOP instruction:

- Clears the interrupt mask (I bit) in the condition code register, enabling external interrupts
- Disables the CPU clock

After exiting stop mode, the CPU clock begins running after the oscillator stabilization delay.

After exit from stop mode by external interrupt, the I bit remains clear.

After exit from stop mode by reset, the I bit is set.

The WAIT instruction:

- Clears the interrupt mask (I bit) in the condition code register, enabling interrupts
- Disables the CPU clock

After exit from wait mode by interrupt, the I bit remains clear.

After exit from wait mode by reset, the I bit is set.

### 5.4.3 COP Watchdog

The STOP instruction:

- Clears the COP watchdog counter
- Disables the COP watchdog clock

**NOTE:** *To prevent the STOP instruction from disabling the COP watchdog, program the stop-to-wait conversion bit (SWAIT) in the mask option register to logic 1.*

After exit from stop mode by external interrupt, the COP watchdog counter immediately begins counting from \$0000 and continues counting throughout the oscillator stabilization delay.

**NOTE:** *Immediately after exiting stop mode by external interrupt, service the COP to ensure a full COP timeout period.*

After exit from stop mode by reset:

- The COP watchdog counter immediately begins counting from \$0000.
- The COP watchdog counter is cleared at the end of the oscillator stabilization delay and begins counting from \$0000 again.

The WAIT instruction:

The WAIT instruction has no effect on the COP watchdog.

**NOTE:** *To prevent a COP timeout during wait mode, exit wait mode periodically to service the COP.*

## 5.4.4 Timer

The STOP instruction:

- Clears the RTIE, TOFE, RTIF, and TOF bits in the timer status and control register, disabling timer interrupt requests and removing any pending timer interrupt requests
- Disables the clock to the timer

After exiting stop mode by external interrupt, the timer immediately resumes counting from the last value before the STOP instruction and continues counting throughout the oscillator stabilization delay.

After exiting stop mode by reset and after the oscillator stabilization delay, the timer resumes operation from its reset state.

The WAIT instruction:

The WAIT instruction has no effect on the timer.

### 5.4.5 EPROM/OTPROM

The STOP instruction:

The STOP instruction during erasable, programmable read-only memory (EPROM) programming clears the EPGM bit in the EPROM programming register, removing the programming voltage from the EPROM.

The WAIT instruction:

The WAIT instruction has no effect on EPROM/one-time programmable read-only memory (OTPROM) operation.

### 5.4.6 Data-Retention Mode

In data-retention mode, the MCU retains random-access memory (RAM) contents and CPU register contents at  $V_{DD}$  voltages as low as 2.0 Vdc. The data-retention feature allows the MCU to remain in a low power-consumption state during which it retains data, but the CPU cannot execute instructions.

To put the MCU in data-retention mode:

1. Drive the  $\overline{\text{RESET}}$  pin to logic 0.
2. Lower the  $V_{DD}$  voltage. The  $\overline{\text{RESET}}$  pin must remain low continuously during data-retention mode.

To take the MCU out of data-retention mode:

1. Return  $V_{DD}$  to normal operating voltage.
2. Return the  $\overline{\text{RESET}}$  pin to logic 1.

5.5 Timing

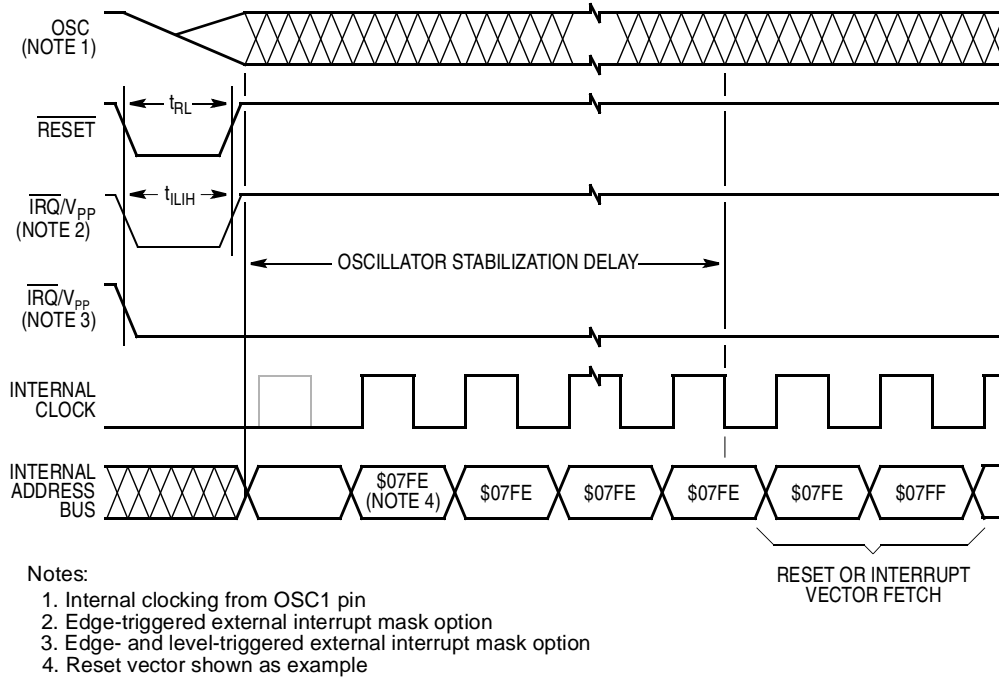


Figure 5-1. Stop Mode Recovery Timing

Low-Power Modes

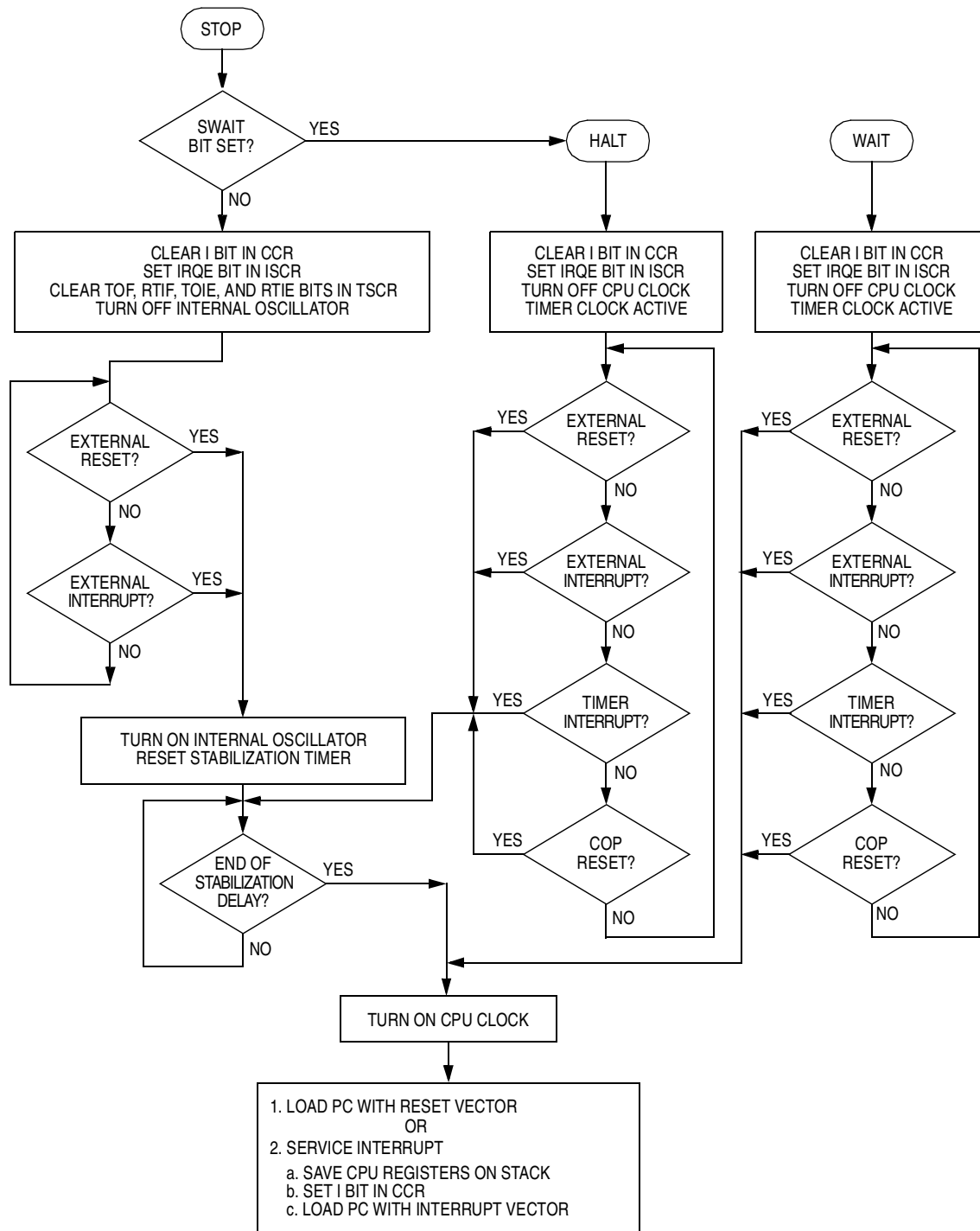


Figure 5-2. Stop/Halt/Wait Flowchart

## Section 6. Parallel Input/Output (I/O) Ports

### 6.1 Contents

6.2	Introduction . . . . .	87
6.3	Port A . . . . .	89
6.3.1	Port A Data Register . . . . .	89
6.3.2	Data Direction Register A . . . . .	90
6.3.3	Pulldown Register A . . . . .	91
6.3.4	Port A LED Drive Capability . . . . .	92
6.3.5	Port A I/O Pin Interrupts . . . . .	92
6.4	Port B . . . . .	92
6.4.1	Port B Data Register . . . . .	92
6.4.2	Data Direction Register B . . . . .	93
6.4.3	Pulldown Register B . . . . .	94
6.5	5.0-Volt I/O Port Electrical Characteristics . . . . .	95
6.6	3.3-Volt I/O Port Electrical Characteristics . . . . .	95

### 6.2 Introduction

Fourteen bidirectional pins form one 8-bit input/output (I/O) port and one 6-bit I/O port. All the bidirectional port pins are programmable as inputs or outputs.

**NOTE:** *Connect any unused I/O pins to an appropriate logic level, either  $V_{DD}$  or  $V_{SS}$ . Although the I/O ports do not require termination for proper operation, termination reduces excess current consumption and the possibility of electrostatic damage.*

Parallel Input/Output (I/O) Ports

Addr.	Register Name	Bit 7	6	5	4	3	2	1	Bit 0	
\$0000	Port A Data Register (PORTA) <a href="#">See page 89.</a>	Read:	PA7	PA6	PA5	PA4	PA3	PA2	PA1	PA0
		Write:								
		Reset:	Unaffected by reset							
\$0001	Port B Data Register (PORTB) <a href="#">See page 92.</a>	Read:	0	0	PB5	PB4	PB3	PB2	PB1	PB0
		Write:								
		Reset:	Unaffected by reset							
\$0004	Data Direction Register A (DDRA) <a href="#">See page 90.</a>	Read:	DDRA7	DDRA6	DDRA5	DDRA4	DDRA3	DDRA2	DDRA1	DDRA0
		Write:								
		Reset:	0	0	0	0	0	0	0	0
\$0005	Data Direction Register B (DDRB) <a href="#">See page 93.</a>	Read:	0	0	DDRB5	DDRB4	DDRB3	DDRB2	DDRB1	DDRB0
		Write:								
		Reset:	0	0	0	0	0	0	0	0
\$0010	Pulldown Register A (PDRA) <a href="#">See page 91.</a>	Read:								
		Write:	PDIA7	PDIA6	PDIA5	PDIA4	PDIA3	PDIA2	PDIA1	PDIA0
		Reset:	0	0	0	0	0	0	0	0
\$0011	Pulldown Register B (PDRB) <a href="#">See page 94.</a>	Read:								
		Write:			PDIB5	PDIB4	PDIB3	PDIB2	PDIB1	PDIB0
		Reset:			0	0	0	0	0	0


 = Unimplemented

Figure 6-1. Parallel I/O Port Register Summary



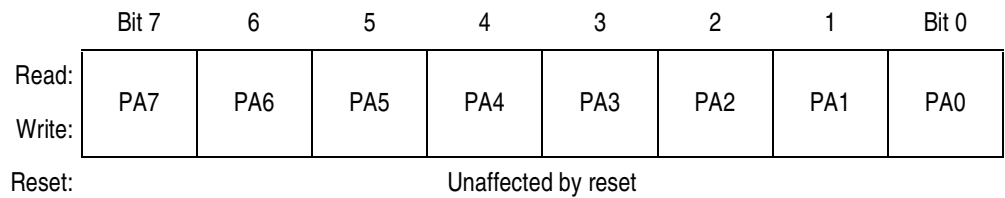
## 6.3 Port A

Port A is an 8-bit bidirectional port.

### 6.3.1 Port A Data Register

The port A data register (PORTA) contains a latch for each port A pin.

Address: \$0000



**Figure 6-2. Port A Data Register (PORTA)**

#### PA[7:0] — Port A Data Bits

These read/write bits are software programmable. Data direction of each port A pin is under the control of the corresponding bit in data direction register A. Reset has no effect on port A data.

Parallel Input/Output (I/O) Ports

6.3.2 Data Direction Register A

Data direction register A (DDRA) determines whether each port A pin is an input or an output.

Address: \$0004

	Bit 7	6	5	4	3	2	1	Bit 0
Read:	DDRA7	DDRA6	DDRA5	DDRA4	DDRA3	DDRA2	DDRA1	DDRA0
Write:								
Reset:	0	0	0	0	0	0	0	0

Figure 6-3. Data Direction Register A (DDRA)

DDRA[7:0] — Data Direction Register A Bits

These read/write bits control port A data direction. Reset clears DDRA[7:0], configuring all port A pins as inputs.

- 1 = Corresponding port A pin configured as output
- 0 = Corresponding port A pin configured as input

**NOTE:** Avoid glitches on port A pins by writing to the port A data register before changing data direction register A bits from 0 to 1.

Figure 6-4 shows the I/O logic of port A.

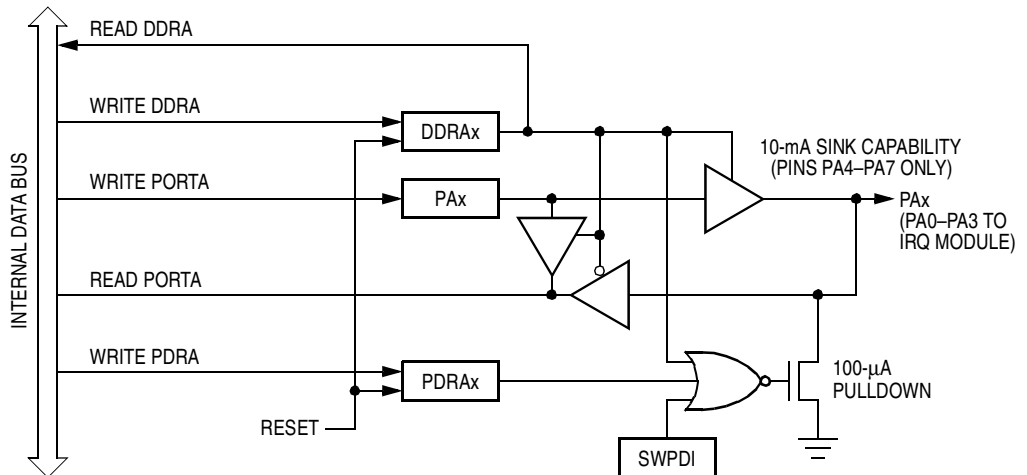


Figure 6-4. Port A I/O Circuitry

Writing a logic 1 to a DDRA bit enables the output buffer for the corresponding port A pin; a logic 0 disables the output buffer.

When bit DDRAx is a logic 1, reading address \$0000 reads the PAx data latch. When bit DDRAx is a logic 0, reading address \$0000 reads the voltage level on the pin. The data latch can always be written, regardless of the state of its data direction bit. **Table 6-1** summarizes the operation of the port A pins.

**Table 6-1. Port A Pin Operation**

Data Direction Bit	I/O Pin Mode	Accesses to Data Bit	
		Read	Write
0	Input, high-impedance	Pin	Latch <sup>(1)</sup>
1	Output	Latch	Latch

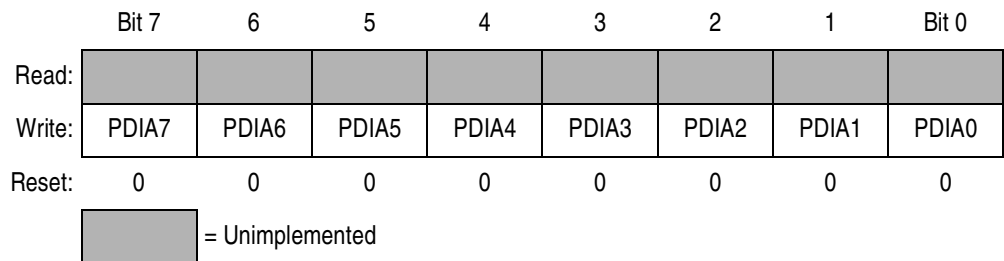
1. Writing affects the data register but does not affect input.

### 6.3.3 Pulldown Register A

Pulldown register A (PDRA) inhibits the pulldown devices on port A pins programmed as inputs.

**NOTE:** *If the SWPDI bit in the mask option register is programmed to logic 1, reset initializes all port A pins as inputs with disabled pulldown devices.*

Address: \$0010



**Figure 6-5. Pulldown Register A (PDRA)**

PDIA[7:0] — Pulldown Inhibit A Bits

PDIA[7:0] disable the port A pulldown devices. Reset clears PDIA[7:0].

1 = Corresponding port A pulldown device disabled

0 = Corresponding port A pulldown device not disabled

Parallel Input/Output (I/O) Ports

6.3.4 Port A LED Drive Capability

The outputs for the upper four bits of port A (PA4–PA7) can drive light-emitting diodes (LEDs). PA4–PA7 can sink approximately 10 mA of current to  $V_{SS}$ .

6.3.5 Port A I/O Pin Interrupts

If the PIRQ bit in the mask option register is programmed to logic 1, PA0–PA3 pins function as external interrupt pins. See [Section 8. External Interrupt Module \(IRQ\)](#).

6.4 Port B

Port B is a 6-bit bidirectional port.

6.4.1 Port B Data Register

The port B data register (PORTB) contains a latch for each port B pin.

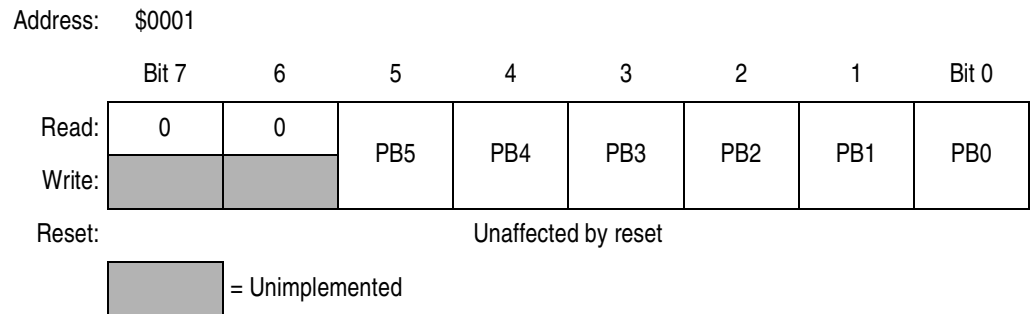


Figure 6-6. Port B Data Register (PORTB)

PB[5:0] — Port B Data Bits

These read/write bits are software programmable. Data direction of each port B pin is under the control of the corresponding bit in data direction register B. Reset has no effect on port B data.

### 6.4.2 Data Direction Register B

Data direction register B (DDRB) determines whether each port B pin is an input or an output.

Address: \$0005

	Bit 7	6	5	4	3	2	1	Bit 0
Read:	0	0	DDRB5	DDRB4	DDRB3	DDRB2	DDRB1	DDRB0
Write:								
Reset:	0	0	0	0	0	0	0	0

= Unimplemented

**Figure 6-7. Data Direction Register B (DDRB)**

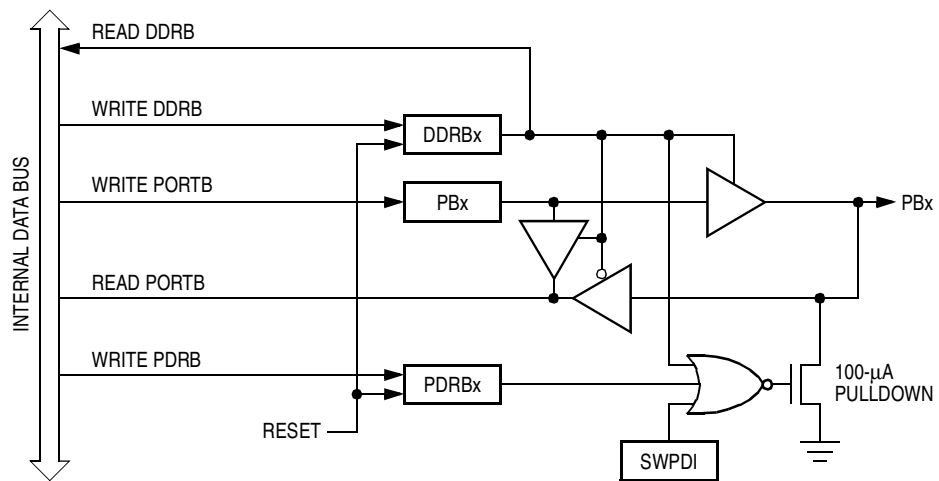
#### DDRB[5:0] — Data Direction Register B Bits

These read/write bits control port B data direction. Reset clears DDRB[5:0], configuring all port B pins as inputs.

- 1 = Corresponding port B pin configured as output
- 0 = Corresponding port B pin configured as input

**NOTE:** Avoid glitches on port B pins by writing to the port B data register before changing data direction register B bits from 0 to 1.

Figure 6-8 shows the I/O logic of port B.



**Figure 6-8. Port B I/O Circuitry**

Parallel Input/Output (I/O) Ports

Writing a logic 1 to a DDRB bit enables the output buffer for the corresponding port B pin; a logic 0 disables the output buffer.

When bit DDRBx is a logic 1, reading address \$0001 reads the PBx data latch. When bit DDRBx is a logic 0, reading address \$0001 reads the voltage level on the pin. The data latch can always be written, regardless of the state of its data direction bit. **Table 6-2** summarizes the operation of the port B pins.

**Table 6-2. Port B Pin Operation**

Data Direction Bit	I/O Pin Mode	Accesses to Data Bit	
		Read	Write
0	Input, high-impedance	Pin	Latch <sup>(1)</sup>
1	Output	Latch	Latch

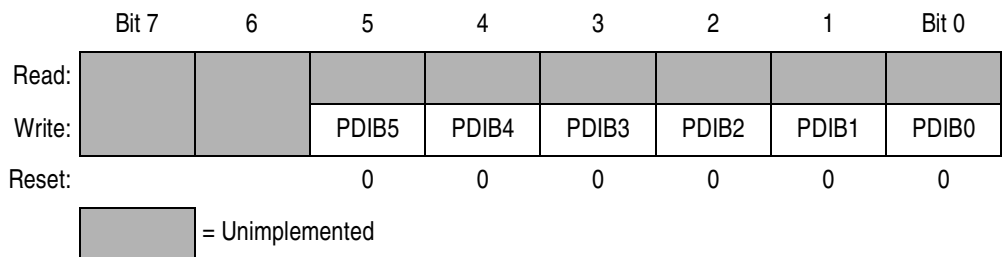
1. Writing affects the data register, but does not affect input.

**6.4.3 Pulldown Register B**

Pulldown register B (PDRB) inhibits the pulldown devices on port B pins programmed as inputs.

**NOTE:** *If the SWPDI bit in the mask option register is programmed to logic 1, reset initializes all port B pins as inputs with disabled pulldown devices.*

Address: \$0011



**Figure 6-9. Pulldown Register B (PDRB)**

PDIB[7:0] — Pulldown Inhibit B Bits

PDIB[7:0] disable the port B pulldown devices. Reset clears PDIB[7:0].

1 = Corresponding port B pulldown device disabled

0 = Corresponding port B pulldown device not disabled

### 6.5 5.0-Volt I/O Port Electrical Characteristics

Characteristic <sup>(1)</sup>	Symbol	Min	Typ <sup>(2)</sup>	Max	Unit
Current drain per pin excluding PA4–PA7	I	—	25	—	mA
Output high voltage (I <sub>Load</sub> = –0.8 mA) PA0–PA7, PB0–PB5	V <sub>OH</sub>	V <sub>DD</sub> – 0.8	—	—	V
Output low voltage (I <sub>Load</sub> = 1.6 mA) PA0–PA3, PB0–PB5 (I <sub>Load</sub> = 10.0 mA) PA4–PA7	V <sub>OL</sub>	— —	— —	0.4 0.4	V
Input high voltage PA0–PA7, PB0–PB5	V <sub>IH</sub>	0.7 x V <sub>DD</sub>	—	V <sub>DD</sub>	V
Input low voltage PA0–PA7, PB0–PB5	V <sub>IL</sub>	V <sub>SS</sub>	—	0.2 x V <sub>DD</sub>	V
I/O ports hi-z leakage current PA0–PA7, PB0–PB5 (without individual pulldown activated)	I <sub>IL</sub>	—	0.2	±1	μA
Input pulldown current PA0–PA7, PB0–PB5 (with individual pulldown activated)	I <sub>IL</sub>	35	80	200	μA

- V<sub>DD</sub> = 5.0 Vdc ± 10%, V<sub>SS</sub> = 0 Vdc, T<sub>A</sub> = –40°C to +105°C, unless otherwise noted
- Typical values reflect average measurements at midpoint of voltage range, 25°C.

### 6.6 3.3-Volt I/O Port Electrical Characteristics

Characteristic <sup>(1)</sup>	Symbol	Min	Typ <sup>(2)</sup>	Max	Unit
Current drain per pin excluding PA4–PA7	I	—	25	—	mA
Output high voltage (I <sub>Load</sub> = –0.2 mA) PA0–PA7, PB0–PB5	V <sub>OH</sub>	V <sub>DD</sub> – 0.3	—	—	V
Output low voltage (I <sub>Load</sub> = 0.4 mA) PA0–PA3, PB0–PB5 (I <sub>Load</sub> = 5.0 mA) PA4–PA7	V <sub>OL</sub>	— —	— —	0.3 0.3	V
Input high voltage PA0–PA7, PB0–PB5	V <sub>IH</sub>	0.7 x V <sub>DD</sub>	—	V <sub>DD</sub>	V
Input low voltage PA0–PA7, PB0–PB5	V <sub>IL</sub>	V <sub>SS</sub>	—	0.2 x V <sub>DD</sub>	V
I/O ports hi-z leakage current PA0–PA7, PB0–PB5 (without individual pulldown activated)	I <sub>IL</sub>	—	0.1	±1	μA
Input pulldown current PA0–PA7, PB0–PB5 (with individual pulldown activated)	I <sub>IL</sub>	12	30	100	μA

- V<sub>DD</sub> = 3.3 Vdc ± 10%, V<sub>SS</sub> = 0 Vdc, T<sub>A</sub> = –40°C to +105°C, unless otherwise noted
- Typical values reflect average measurements at midpoint of voltage range, 25°C.





## Section 7. Computer Operating Properly (COP) Module

### 7.1 Contents

7.2	Introduction . . . . .	97
7.3	Operation . . . . .	98
7.3.1	COP Watchdog Timeout . . . . .	98
7.3.2	COP Watchdog Timeout Period . . . . .	98
7.3.3	Clearing the COP Watchdog . . . . .	98
7.4	Interrupts . . . . .	99
7.5	COP Register . . . . .	99
7.6	Low-Power Modes . . . . .	100
7.6.1	Stop Mode . . . . .	100
7.6.2	Wait Mode . . . . .	100

### 7.2 Introduction

The computer operating properly (COP) watchdog resets the microcontroller (MCU) in case of software failure. Software that is operating properly periodically services the COP watchdog and prevents COP reset. The COP watchdog function is programmable by the COPEN bit in the mask option register.

Features include:

- Protection from runaway software
- Wait and halt mode operation

## 7.3 Operation

Operation of the COP is described in this subsection.

### 7.3.1 COP Watchdog Timeout

Four counter stages at the end of the timer make up the COP watchdog. The COP resets the MCU if the timeout period occurs before the COP watchdog timer is cleared by application software and the  $\overline{\text{IRQ}}/V_{\text{PP}}$  pin voltage is between  $V_{\text{SS}}$  and  $V_{\text{DD}}$ . Periodically clearing the counter starts a new timeout period and prevents COP reset. A COP watchdog timeout indicates that the software is not executing instructions in the correct sequence.

**NOTE:** *The internal clock drives the COP watchdog. Therefore, the COP watchdog cannot generate a reset for errors that cause the internal clock to stop.*

*The COP watchdog depends on a power supply voltage at or above a minimum specification and is not guaranteed to protect against brownout.*

### 7.3.2 COP Watchdog Timeout Period

The COP watchdog timer function is implemented by dividing the output of the real-time interrupt circuit (RTI) by eight. The RTI select bits in the timer status and control register control RTI output, and the selected output drives the COP watchdog. See timer status and control register in [Section 9. Multifunction Timer Module](#).

**NOTE:** *The minimum COP timeout period is seven times the RTI period. The COP is cleared asynchronously with the value in the RTI divider; hence, the COP timeout period will vary between 7x and 8x the RTI period.*

### 7.3.3 Clearing the COP Watchdog

To clear the COP watchdog and prevent a COP reset, write a logic 0 to bit 0 (COPC) of the COP register at location \$07F0 (see [Figure 7-1](#)).

Clearing the COP bit disables the COP watchdog timer regardless of the  $\overline{\text{IRQ}}/V_{\text{PP}}$  pin voltage.

If the main program executes within the COP timeout period, the clearing routine should be executed only once. If the main program takes longer than the COP timeout period, the clearing routine must be executed more than once.

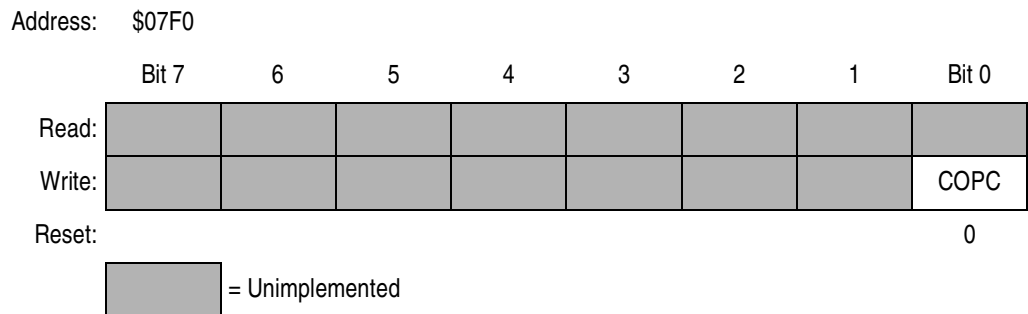
**NOTE:** *Place the clearing routine in the main program and not in an interrupt routine. Clearing the COP watchdog in an interrupt routine might prevent COP watchdog timeouts even though the main program is not operating properly.*

## 7.4 Interrupts

The COP watchdog does not generate interrupts.

## 7.5 COP Register

The COP register (COPR) is a write-only register that returns the contents of EPROM location \$07F0 when read.



**Figure 7-1. COP Register (COPR)**

### COPC — COP Clear Bit

This write-only bit resets the COP watchdog. Reading address \$07F0 returns undefined results.

## 7.6 Low-Power Modes

The STOP and WAIT instructions have these effects on the COP watchdog.

### 7.6.1 Stop Mode

The STOP instruction clears the COP watchdog counter and disables the clock to the COP watchdog.

**NOTE:** *To prevent the STOP instruction from disabling the COP watchdog, program the stop-to-wait conversion bit (SWAIT) in the mask option register to logic 1.*

Upon exit from stop mode by external reset:

- The counter begins counting from \$0000.
- The counter is cleared again after the oscillator stabilization delay and begins counting from \$0000 again.

Upon exit from stop mode by external interrupt:

- The counter begins counting from \$0000.
- The counter is not cleared again after the oscillator stabilization delay and continues counting throughout the oscillator stabilization delay.

**NOTE:** *Immediately after exiting stop mode by external interrupt, service the COP to ensure a full COP timeout period.*

### 7.6.2 Wait Mode

The WAIT instruction has no effect on the COP watchdog.

**NOTE:** *To prevent a COP timeout during wait mode, exit wait mode periodically to service the COP.*

## Section 8. External Interrupt Module (IRQ)

### 8.1 Contents

8.2	Introduction . . . . .	101
8.3	Operation . . . . .	102
8.3.1	$\overline{\text{IRQ}}/V_{PP}$ Pin . . . . .	104
8.3.2	Optional External Interrupts . . . . .	104
8.4	IRQ Status and Control Register . . . . .	106
8.5	External Interrupt Timing . . . . .	107
8.5.1	5.0-Volt External Interrupt Timing Characteristics . . . . .	107
8.5.2	3.3-Volt External Interrupt Timing Characteristics . . . . .	107

### 8.2 Introduction

The external interrupt (IRQ) module provides asynchronous external interrupts to the CPU. These sources can generate external interrupts:

- $\overline{\text{IRQ}}/V_{PP}$  pin
- PA0–PA3 pins

Features include:

- Dedicated external interrupt pin ( $\overline{\text{IRQ}}/V_{PP}$ )
- Selectable interrupt on four input/output (I/O) pins (PA0–PA3)
- Programmable edge-only or edge- and level-interrupt sensitivity

External Interrupt Module (IRQ)

8.3 Operation

The interrupt request/programming voltage pin ( $\overline{IRQ}/V_{PP}$ ) and port A pins 0–3 (PA0–PA3) provide external interrupts. The PIRQ bit in the mask option register (MOR) enables PA0–PA3 as IRQ interrupt sources, which are combined into a single ORing function to be latched by the IRQ latch. **Figure 8-1** shows the structure of the IRQ module.

After completing its current instruction, the CPU tests the IRQ latch. If the IRQ latch is set, the CPU then tests the I bit in the condition code register and the IRQE bit in the IRQ status and control register. If the I bit is clear and the IRQE bit is set, the CPU then begins the interrupt sequence. This interrupt is serviced by the interrupt service routine located at \$07FA and \$07FB.

The CPU clears the IRQ latch while it fetches the interrupt vector, so that another external interrupt request can be latched during the interrupt service routine. As soon as the I bit is cleared during the return from interrupt, the CPU can recognize the new interrupt request. **Figure 8-2** shows the sequence of events caused by an interrupt.

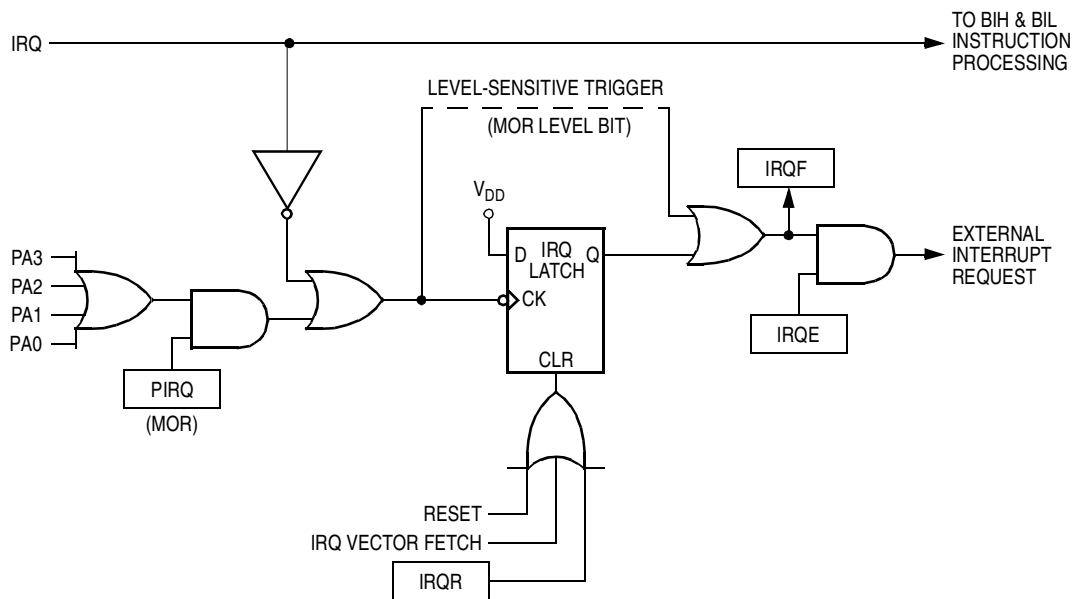
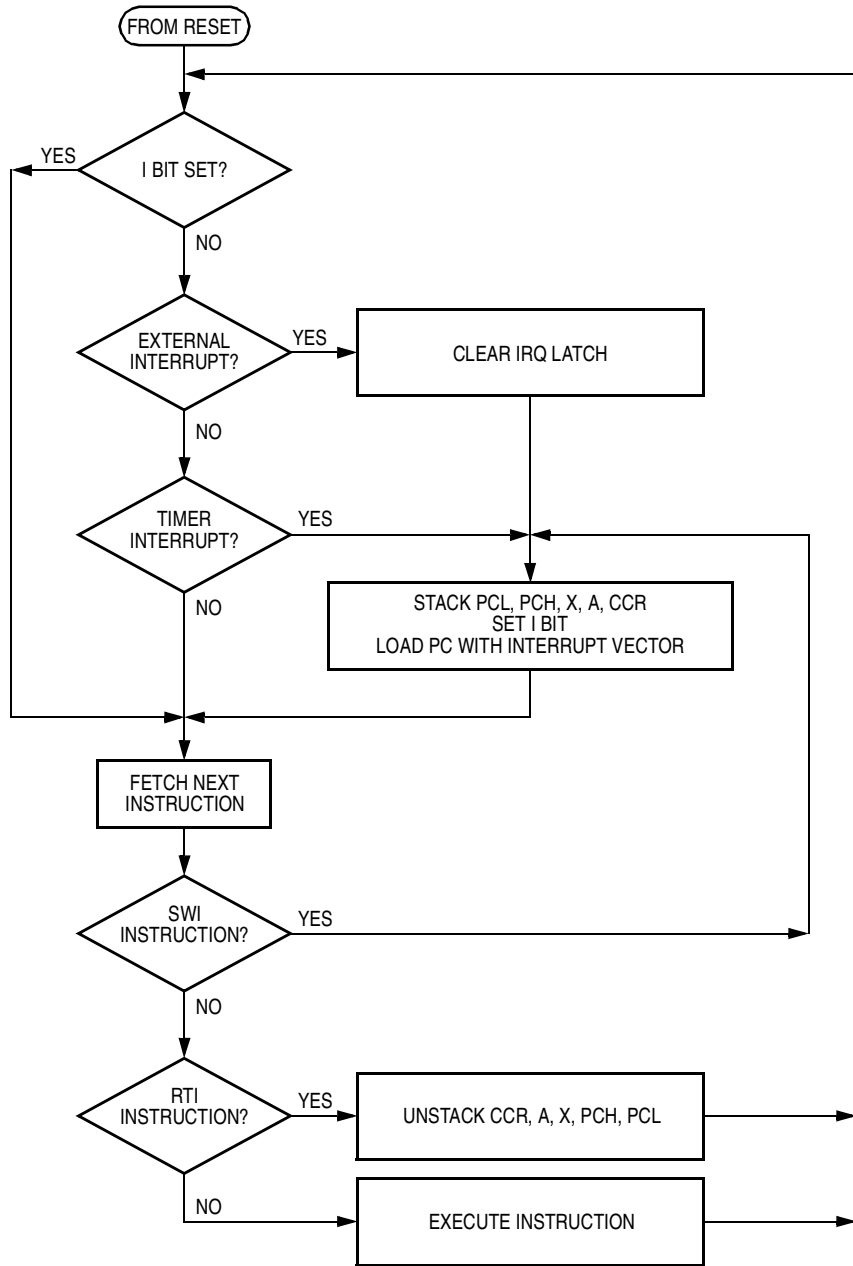


Figure 8-1. IRQ Module Block Diagram



**Figure 8-2. Interrupt Flowchart**

## External Interrupt Module (IRQ)

### 8.3.1 $\overline{\text{IRQ}}/V_{\text{PP}}$ Pin

An interrupt signal on the  $\overline{\text{IRQ}}/V_{\text{PP}}$  pin latches an external interrupt request. The LEVEL bit in the mask option register provides negative edge-sensitive triggering or both negative edge-sensitive and low level-sensitive triggering for the interrupt function.

If edge- and level-sensitive triggering is selected, a falling edge or a low level on the  $\overline{\text{IRQ}}/V_{\text{PP}}$  pin latches an external interrupt request. Edge- and level-sensitive triggering allows the use of multiple wired-OR external interrupt sources. An external interrupt request is latched as long as any source is holding the  $\overline{\text{IRQ}}/V_{\text{PP}}$  pin low.

If level-sensitive triggering is selected, the  $\overline{\text{IRQ}}/V_{\text{PP}}$  input requires an external resistor to  $V_{\text{DD}}$  for wired-OR operation. If the  $\overline{\text{IRQ}}/V_{\text{PP}}$  pin is not used, it must be tied to the  $V_{\text{DD}}$  supply.

If edge-sensitive-only triggering is selected, a falling edge on the  $\overline{\text{IRQ}}/V_{\text{PP}}$  pin latches an external interrupt request. A subsequent external interrupt request can be latched only after the voltage level on the  $\overline{\text{IRQ}}/V_{\text{PP}}$  pin returns to logic 1 and then falls again to logic 0.

The  $\overline{\text{IRQ}}/V_{\text{PP}}$  pin contains an internal Schmitt trigger as part of its input to improve noise immunity. The voltage on this pin can affect the mode of operation and should not exceed  $V_{\text{DD}}$ .

### 8.3.2 Optional External Interrupts

The inputs for the lower four bits of port A (PA0–PA3) can be connected to the IRQ pin input of the CPU if enabled by the PIRQ bit in the mask option register. This capability allows keyboard scan applications where the transitions or levels on the I/O pins will behave the same as the  $\overline{\text{IRQ}}/V_{\text{PP}}$  pin except for the inverted phase (logic 1, rising edge). The active state of the  $\overline{\text{IRQ}}/V_{\text{PP}}$  pin is a logic 0 (falling edge).

The PA0–PA3 pins are selected as a group to function as IRQ interrupts and are enabled by the IRQE bit in the IRQ status and control register. The PA0–PA3 pins can be positive-edge triggered only or positive-edge and high-level triggered.



If edge- and level-sensitive triggering is selected, a rising edge or a high level on a PA0–PA3 pin latches an external interrupt request. Edge- and level-sensitive triggering allows the use of multiple wired-OR external interrupt sources. As long as any source is holding a PA0–PA3 pin high, an external interrupt request is latched, and the CPU continues to execute the interrupt service routine.

If edge-sensitive only triggering is selected, a rising edge on a PA0–PA3 pin latches an external interrupt request. A subsequent external interrupt request can be latched only after the voltage level of the previous interrupt signal returns to logic 0 and then rises again to logic 1.

**NOTE:** *The branch if interrupt pin is high (BIH) and branch if interrupt pin is low (BIL) instructions apply only to the level on the  $\overline{IRQ}/V_{PP}$  pin itself and not to the output of the logic OR function with the PA0–PA3 pins. The state of the individual port A pins can be checked by reading the appropriate port A pins as inputs.*

*Enabled PA0–PA3 pins cause an IRQ interrupt regardless of whether these pins are configured as inputs or outputs.*

*The  $\overline{IRQ}$  pin has an internal Schmitt trigger. The optional external interrupts (PA0–PA3) do not have internal Schmitt triggers.*

*The interrupt mask bit (I) in the condition code register (CCR) disables all maskable interrupt requests, including external interrupt requests.*

### 8.4 IRQ Status and Control Register

The IRQ status and control register (ISCR) controls and monitors operation of the IRQ module. All unused bits in the ISCR read as logic 0s. The IRQF bit is cleared and the IRQE bit is set by reset.

Address: \$000A

	Bit 7	6	5	4	3	2	1	Bit 0
Read:	IRQE	0	0	0	IRQF	0	0	0
Write:				R			IRQR	
Reset:	1	0	0	0	0	0	0	0

= Unimplemented
 R = Reserved

**Figure 8-3. IRQ Status and Control Register (ISCR)**

#### IRQR — Interrupt Request Reset Bit

This write-only bit clears the external interrupt request flag.

- 1 = Clears external interrupt and IRQF bit
- 0 = No effect on external interrupt and IRQF bit

#### IRQF — External Interrupt Request Flag

The external interrupt request flag is a clearable, read-only bit that is set when an external interrupt request is pending. Reset clears the IRQF bit.

- 1 = External interrupt request pending
- 0 = No external interrupt request pending

#### IRQE — External Interrupt Request Enable Bit

This read/write bit enables external interrupts. Reset sets the IRQE bit.

- 1 = External interrupt requests enabled
- 0 = External interrupt requests disabled

The STOP and WAIT instructions set the IRQE bit so that an external interrupt can bring the MCU out of these low-power modes. In addition, reset sets the I bit which masks all interrupt sources.

## 8.5 External Interrupt Timing

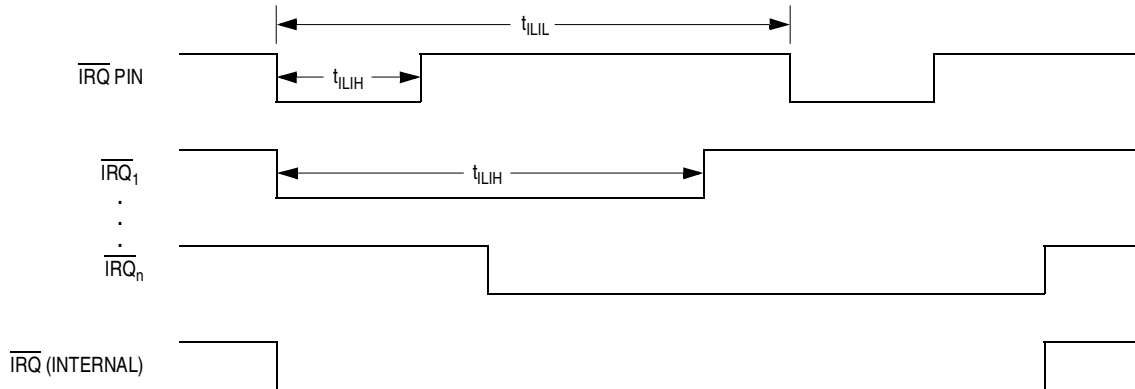


Figure 8-4. External Interrupt Timing

### 8.5.1 5.0-Volt External Interrupt Timing Characteristics

Characteristic <sup>(1)</sup>	Symbol	Min	Max	Unit
IRQ interrupt pulse width low (edge-triggered)	$t_{LIH}$	1.5	—	$t_{cyc}^{(2)}$
IRQ interrupt pulse width (edge- and level-triggered)	$t_{LIH}$	1.5	Note <sup>(3)</sup>	$t_{cyc}$
PA0–PA3 interrupt pulse width high (edge-triggered)	$t_{LIL}$	1.5	—	$t_{cyc}$
PA0–PA3 interrupt pulse width high (edge- and level-triggered)	$t_{LIH}$	1.5	Note <sup>(3)</sup>	$t_{cyc}$

1.  $V_{DD} = 5.0 \text{ Vdc} \pm 10\%$ ,  $V_{SS} = 0 \text{ Vdc}$ ,  $T_A = -40^\circ\text{C}$  to  $+105^\circ\text{C}$ , unless otherwise noted

2.  $t_{cyc} = 1/f_{op}$ ;  $f_{op} = f_{osc}/2$ .

3. The minimum,  $t_{LIL}$ , should not be less than the number of interrupt service routine cycles plus  $19 t_{cyc}$ .

### 8.5.2 3.3-Volt External Interrupt Timing Characteristics

Characteristic <sup>(1)</sup>	Symbol	Min	Max	Unit
IRQ interrupt pulse width low (edge-triggered)	$t_{LIH}$	1.5	—	$t_{cyc}^{(2)}$
IRQ interrupt pulse width (edge- and level-triggered)	$t_{LIH}$	1.5	Note <sup>(3)</sup>	$t_{cyc}$
PA0–PA3 interrupt pulse width high (edge-triggered)	$t_{LIL}$	1.5	—	$t_{cyc}$
PA0–PA3 interrupt pulse width high (edge- and level-triggered)	$t_{LIH}$	1.5	Note <sup>(3)</sup>	$t_{cyc}$

1.  $V_{DD} = 3.3 \text{ Vdc} \pm 10\%$ ,  $V_{SS} = 0 \text{ Vdc}$ ,  $T_A = -40^\circ\text{C}$  to  $+105^\circ\text{C}$ , unless otherwise noted

2.  $t_{cyc} = 1/f_{op}$ ;  $f_{op} = f_{osc}/2$ .

3. The minimum,  $t_{LIL}$ , should not be less than the number of interrupt service routine cycles plus  $19 t_{cyc}$ .



## Section 9. Multifunction Timer Module

### 9.1 Contents

9.2	Introduction .....	109
9.3	Operation .....	111
9.4	Interrupts .....	112
9.5	I/O Registers .....	112
9.5.1	Timer Status and Control Register .....	112
9.5.2	Timer Counter Register .....	114
9.6	Low-Power Modes .....	115
9.6.1	Stop Mode .....	115
9.6.2	Wait Mode .....	115

### 9.2 Introduction

The multifunction timer provides a timing reference with programmable real-time interrupt (RTI) capability. **Figure 9-1** shows the timer organization.

Features include:

- Timer overflow
- Four selectable interrupt rates
- Computer operating properly (COP) watchdog timer

Multifunction Timer Module

Freescale Semiconductor, Inc.

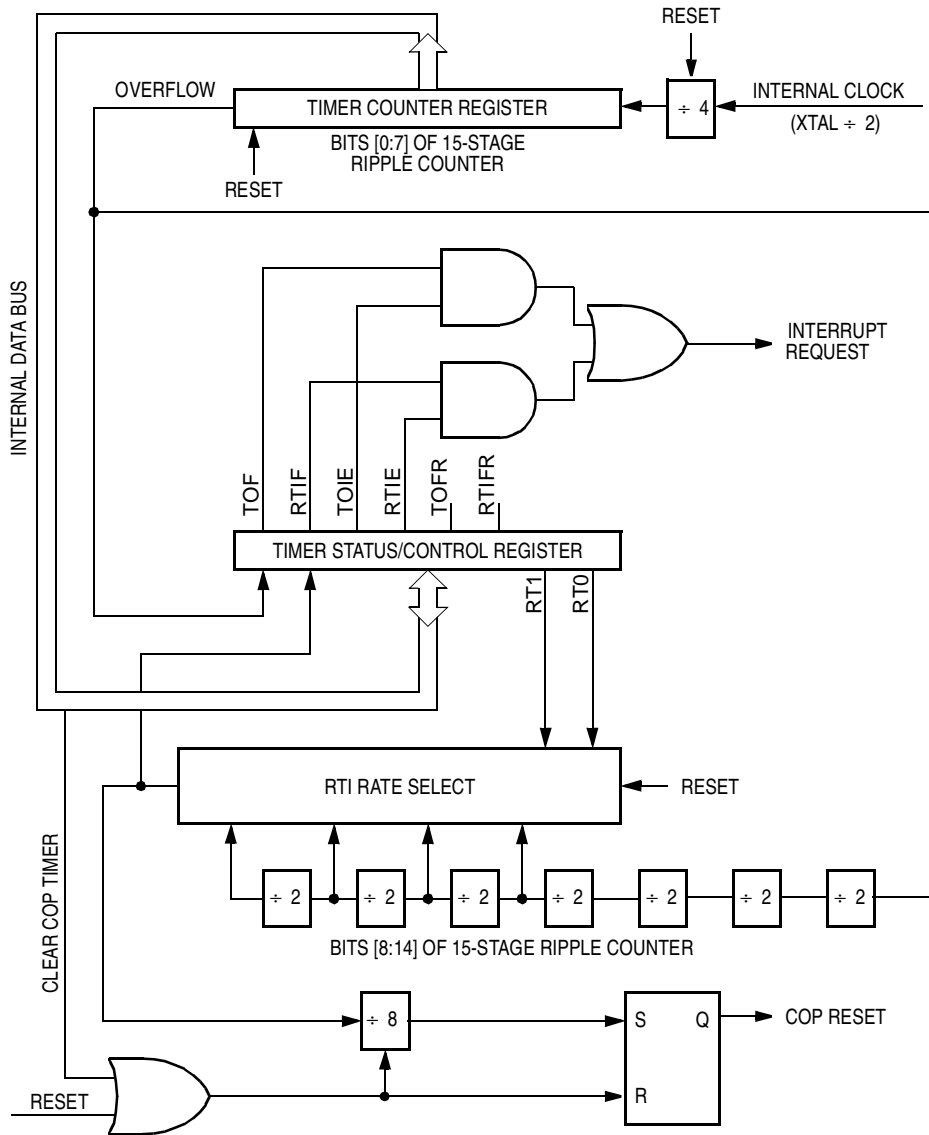


Figure 9-1. Multifunction Timer Block Diagram

Addr.	Register Name	Bit 7	6	5	4	3	2	1	Bit 0	
\$0008	Timer Status and Control Register (TSCR) <a href="#">See page 112.</a>	Read:	TOF	RTIF	TOIE	RTIE	0	0	RT1	RT0
		Write:					TOFR	RTIFR		
		Reset:	0	0	0	0	0	0	1	1
\$0009	Timer Counter Register (TCR) <a href="#">See page 114.</a>	Read:	TMR7	TMR6	TMR5	TMR4	TMR3	TMR2	TMR1	TMR0
		Write:								
		Reset:	0	0	0	0	0	0	0	0


 = Unimplemented

Figure 9-2. I/O Register Summary

### 9.3 Operation

A 15-stage ripple counter, preceded by a prescaler that divides the internal clock signal by four, provides the timing reference for the timer functions. The value of the first eight timer stages can be read at any time by accessing the timer counter register at address \$0009. A timer overflow function at the eighth stage allows a timer interrupt every 1024 internal clock cycles.

The next four stages lead to the real-time interrupt (RTI) circuit. The RT1 and RT0 bits in the timer status and control register at address \$0008 allow a timer interrupt every 16,384, 32,768, 65,536, or 131,072 clock cycles. The last four stages drive the selectable COP system. For information on the COP, refer to the [Section 7. Computer Operating Properly \(COP\) Module](#).

Multifunction Timer Module

9.4 Interrupts

These timer sources can generate interrupts:

- Timer overflow flag (TOF) — The TOF bit is set when the first eight stages of the counter roll over from \$FF to \$00. The timer overflow interrupt enable bit, TOIE, enables TOF interrupt requests.
- Real-time interrupt flag (RTIF) — The RTIF bit is set when the selected RTI output becomes active. The real-time interrupt enable bit, RTIE, enables RTIF interrupt requests.

9.5 I/O Registers

These registers control and monitor the timer operation:

- Timer status and control register (TSCR)
- Timer counter register (TCR)

9.5.1 Timer Status and Control Register

The read/write timer status and control register (TSCR) performs these functions:

- Flags timer interrupts
- Enables timer interrupts
- Resets timer interrupt flags
- Selects real-time interrupt rates

Address: \$0008

	Bit 7	6	5	4	3	2	1	Bit 0
Read:	TOF	RTIF	TOIE	RTIE	0	0	RT1	RT0
Write:					TOFR	RTIFR		
Reset:	0	0	0	0	0	0	1	1


 = Unimplemented

Figure 9-3. Timer Status and Control Register (TSCR)



## TOF — Timer Overflow Flag

This read-only flag becomes set when the first eight stages of the counter roll over from \$FF to \$00. TOF generates a timer overflow interrupt request if TOIE is also set. Clear TOF by writing a logic 1 to the TOFR bit. Writing to TOF has no effect. Reset clears TOF.

## RTIF — Real-Time Interrupt Flag

This read-only flag becomes set when the selected RTI output becomes active. RTIF generates a real-time interrupt request if RTIE is also set. Clear RTIF by writing a logic 1 to the RTIFR bit. Writing to RTIF has no effect. Reset clears RTIF.

## TOIE — Timer Overflow Interrupt Enable Bit

This read/write bit enables timer overflow interrupts. Reset clears TOIE.

- 1 = Timer overflow interrupts enabled
- 0 = Timer overflow interrupts disabled

## RTIE — Real-Time Interrupt Enable Bit

This read/write bit enables real-time interrupts. Reset clears RTIE.

- 1 = Real-time interrupts enabled
- 0 = Real-time interrupts disabled

## TOFR — Timer Overflow Flag Reset Bit

Writing a logic 1 to this write-only bit clears the TOF bit. TOFR always reads as logic 0. Reset clears TOFR.

## RTIFR — Real-Time Interrupt Flag Reset Bit

Writing a logic 1 to this write-only bit clears the RTIF bit. RTIFR always reads as logic 0. Reset clears RTIFR.

## RT1 and RT0 — Real-Time Interrupt Select Bits

These read/write bits select one of four real-time interrupt rates, as shown in [Table 9-1](#). Because the selected RTI output drives the COP watchdog, changing the real-time interrupt rate also changes the counting rate of the COP watchdog. Reset sets RT1 and RT0.

**NOTE:** *Changing RT1 and RT0 when a COP timeout is imminent can cause a real-time interrupt request to be missed or an additional real-time*

interrupt request to be generated. To prevent this occurrence, clear the COP timer before changing RT1 and RT0.

Table 9-1. Real-Time Interrupt Rate Selection

RT1:RT0	Number of Cycles to RTI	RTI Period <sup>(1)</sup>	Number of Cycles to COP Reset	COP Timeout Period <sup>(1)</sup>
0 0	$2^{14} = 16,384$	8.2 ms	$2^{17} = 131,072$	65.5 ms
0 1	$2^{15} = 32,768$	16.4 ms	$2^{18} = 262,144$	131.1 ms
1 0	$2^{16} = 65,536$	32.8 ms	$2^{19} = 524,288$	262.1 ms
1 1	$2^{17} = 131,072$	65.5 ms	$2^{20} = 1,048,576$	524.3 ms

1. At 2-MHz bus, 4-MHz XTAL, 0.5 μs per cycle

### 9.5.2 Timer Counter Register

A 15-stage ripple counter is the core of the timer. The value of the first eight stages is readable at any time from the read-only timer counter register (TCR) shown in Figure 9-4.

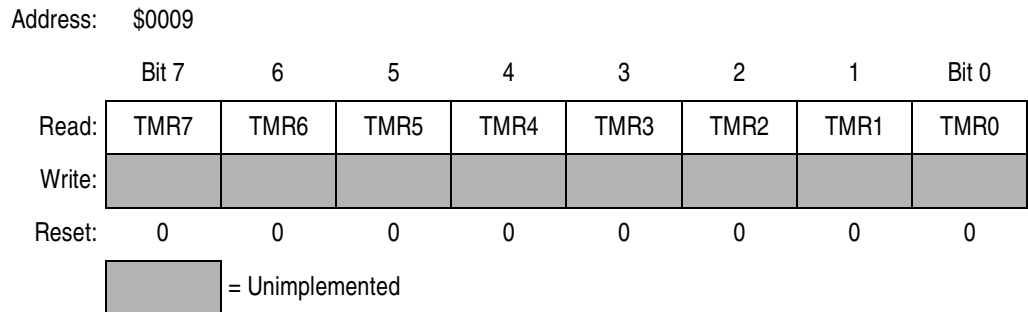


Figure 9-4. Timer Counter Register (TCR)

Power-on clears the entire counter chain and the internal clock begins clocking the counter. After 4064 cycles (or 16 cycles if the SOSCD bit in the mask option register is set), the power-on reset circuit is released, clearing the counter again and allowing the MCU to come out of reset.

A timer overflow function at the eighth counter stage allows a timer interrupt every 1024 internal clock cycles.

## 9.6 Low-Power Modes

The STOP and WAIT instructions put the MCU in low power-consumption standby states.

### 9.6.1 Stop Mode

The STOP instruction has these effects on the timer:

- Clears the timer counter
- Clears interrupt flags (TOF and RTIF) and interrupt enable bits (TOFE and RTIE) in TSCR, removing any pending timer interrupt requests and disabling further timer interrupts.

### 9.6.2 Wait Mode

The timer remains active after a WAIT instruction. Any enabled timer interrupt request can bring the MCU out of wait mode.



## **Section 10. Electrical Specifications**

### **10.1 Contents**

10.2	Introduction . . . . .	117
10.3	Maximum Ratings . . . . .	118
10.4	Operating Temperature Range . . . . .	119
10.5	Thermal Characteristics . . . . .	119
10.6	Power Considerations . . . . .	120
10.7	5.0-Volt DC Electrical Characteristics . . . . .	121
10.8	3.3-Volt DC Electrical Characteristics . . . . .	122
10.9	Driver Characteristics . . . . .	123
10.10	Typical Supply Currents . . . . .	125
10.11	EPROM Programming Characteristics . . . . .	126
10.12	5.0-Volt Control Timing . . . . .	126
10.13	3.3-Volt Control Timing . . . . .	127

### **10.2 Introduction**

This section contains electrical and timing specifications.

### 10.3 Maximum Ratings

Maximum ratings are the extreme limits to which the MCU can be exposed without permanently damaging it.

The MCU contains circuitry to protect the inputs against damage from high static voltages; however, do not apply voltages higher than those shown in the table here. Keep  $V_{In}$  and  $V_{Out}$  within the range  $V_{SS} \leq (V_{In} \text{ or } V_{Out}) \leq V_{DD}$ . Connect unused inputs to the appropriate voltage level, either  $V_{SS}$  or  $V_{DD}$ .

Rating <sup>(1)</sup>	Symbol	Value	Unit
Supply voltage	$V_{DD}$	-0.3 to +7.0	V
Current drain per pin (excluding $V_{DD}$ , $V_{SS}$ , and PA4-PA7)	I	25	mA
Input voltage	$V_{In}$	$V_{SS} - 0.3$ to $V_{DD} + 0.3$	V
$\overline{IRQ}/V_{PP}$ pin	$V_{PP}$	$V_{SS} - 0.3$ to $2 \times V_{DD} + 0.3$	V
Storage temperature range	$T_{STG}$	-65 to +150	°C

1. Voltages are referenced to  $V_{SS}$ .

**NOTE:** *This device is not guaranteed to operate properly at the maximum ratings. Refer to [10.7 5.0-Volt DC Electrical Characteristics](#) and [10.8 3.3-Volt DC Electrical Characteristics](#) for guaranteed operating conditions.*

## 10.4 Operating Temperature Range

Package Type	Symbol	Value (T <sub>L</sub> to T <sub>H</sub> )	Unit
MC68HC705J1AP <sup>(1)</sup> , DW <sup>(2)</sup> , S <sup>(3)</sup>	T <sub>A</sub>	0 to 70	°C
MC68HC705J1AC <sup>(4)</sup> P, CDW, CS	T <sub>A</sub>	-40 to +85	°C
MC68HC705J1AV <sup>(5)</sup> P, VDW, VS	T <sub>A</sub>	-40 to +105	°C

1. P = plastic dual in-line package (PDIP)
2. DW = small outline integrated circuit (SOIC)
3. S = ceramic DIP (cerdip)
4. C = extended temperature range
5. V = automotive temperature range

## 10.5 Thermal Characteristics

Characteristic	Symbol	Value	Unit
Thermal resistance MC68HC705J1AP <sup>(1)</sup> MC68HC705J1ADW <sup>(2)</sup> MC68HC705J1AS <sup>(3)</sup>	θ <sub>JA</sub>	60	°C/W

1. P = plastic dual in-line package (PDIP)
2. DW = small outline integrated circuit (SOIC)
3. S = ceramic DIP (cerdip)

## 10.6 Power Considerations

The average chip junction temperature,  $T_J$ , in °C can be obtained from:

$$T_J = T_A + (P_D \times \theta_{JA}) \quad (1)$$

Where:

$T_A$  = ambient temperature in °C

$\theta_{JA}$  = package thermal resistance, junction to ambient in °C/W

$P_D = P_{INT} + P_{I/O}$

$P_{INT} = I_{CC} \times V_{CC}$  = chip internal power dissipation

$P_{I/O}$  = power dissipation on input and output pins (user-determined)

For most applications,  $P_{I/O} < P_{INT}$  and can be neglected.

Ignoring  $P_{I/O}$ , the relationship between  $P_D$  and  $T_J$  is approximately:

$$P_D = \frac{K}{T_J + 273^\circ\text{C}} \quad (2)$$

Solving equations (1) and (2) for K gives:

$$= P_D \times (T_A + 273^\circ\text{C}) + \theta_{JA} \times (P_D)^2 \quad (3)$$

where K is a constant pertaining to the particular part. K can be determined from equation (3) by measuring  $P_D$  (at equilibrium) for a known  $T_A$ . Using this value of K, the values of  $P_D$  and  $T_J$  can be obtained by solving equations (1) and (2) iteratively for any value of  $T_A$ .



10.7 5.0-Volt DC Electrical Characteristics

Characteristic <sup>(1)</sup>	Symbol	Min	Typ <sup>(2)</sup>	Max	Unit
Output voltage $I_{Load} = 10.0 \mu A$ $I_{Load} = -10.0 \mu A$	$V_{OL}$ $V_{OH}$	— $V_{DD} - 0.1$	— —	0.1 —	V
Output high voltage ( $I_{Load} = -0.8 \text{ mA}$ ) PA0–PA7, PB0–PB5	$V_{OH}$	$V_{DD} - 0.8$	—	—	V
Output low voltage ( $I_{Load} = 1.6 \text{ mA}$ ) PA0–PA3, PB0–PB5 ( $I_{Load} = 10.0 \text{ mA}$ ) PA4–PA7	$V_{OL}$	—	—	0.4 0.4	V
Input high voltage PA0–PA7, PB0–PB5, $\overline{IRQ}/V_{PP}$ , $\overline{RESET}$ , OSC1	$V_{IH}$	$0.7 \times V_{DD}$	—	$V_{DD}$	V
Input low voltage PA0–PA7, PB0–PB5, $\overline{IRQ}/V_{PP}$ , $\overline{RESET}$ , OSC1	$V_{IL}$	$V_{SS}$	—	$0.2 \times V_{DD}$	V
Supply current Run mode <sup>(3)</sup> Wait mode <sup>(4)</sup> Stop mode <sup>(5)</sup> 25°C –40 to 105°C	$I_{DD}$	— — — —	3.5 0.45 0.2 2.0	6.0 2.75 10 20	mA mA $\mu A$ $\mu A$
I/O ports hi-z leakage current PA0–PA7, PB0–PB5 (without individual pulldown activated)	$I_{IL}$	—	0.2	$\pm 1$	$\mu A$
Input pulldown current PA0–PA7, PB0–PB5 (with individual pulldown activated)	$I_{IL}$	35	80	200	$\mu A$
Input pullup current RESET	$I_{IL}$	–15	–35	–85	$\mu A$
Input current <sup>(6)</sup> $\overline{RESET}$ , $\overline{IRQ}/V_{PP}$ , OSC1	$I_{In}$	—	0.2	$\pm 1$	$\mu A$
Capacitance Ports (as inputs or outputs) $\overline{RESET}$ , $\overline{IRQ}/V_{PP}$ , OSC1, OSC2	$C_{Out}$ $C_{In}$	— —	— —	12 8	pF
Crystal/ceramic resonator oscillator mode internal resistor OSC1 to OSC2 <sup>(7)</sup>	$R_{osc}$	1.0	2.0	3.0	M $\Omega$

- $V_{DD} = 5.0 \text{ Vdc} \pm 10\%$ ,  $V_{SS} = 0 \text{ Vdc}$ ,  $T_A = -40^\circ\text{C}$  to  $+105^\circ\text{C}$ , unless otherwise noted
- Typical values at midpoint of voltage range, 25°C only
- Run mode  $I_{DD}$  is measured using external square wave clock source ( $f_{osc} = 4.2 \text{ MHz}$ ); all inputs 0.2 V from rail; no dc loads; less than 50 pF on all outputs;  $C_L = 20 \text{ pF}$  on OSC2
- Wait mode  $I_{DD}$ : only timer system active. Wait mode is affected linearly by OSC2 capacitance. Wait mode is measured with all ports configured as inputs;  $V_{IL} = 0.2 \text{ V}$ ;  $V_{IH} = V_{DD} - 0.2 \text{ V}$ . Wait mode  $I_{DD}$  is measured using external square wave clock source ( $f_{osc} = 4.2 \text{ MHz}$ ); all inputs 0.2 V from rail; no dc loads; less than 50 pF on all outputs;  $C_L = 20 \text{ pF}$  on OSC2.
- Stop mode  $I_{DD}$  is measured with OSC1 =  $V_{SS}$ . Stop mode  $I_{DD}$  is measured with all ports configured as inputs;  $V_{IL} = 0.2 \text{ V}$ ;  $V_{IH} = V_{DD} - 0.2 \text{ V}$
- Only input high current rated to +1  $\mu A$  on  $\overline{RESET}$ .
- The  $R_{osc}$  value selected for RC oscillator versions of this device is unspecified. See [Appendix C. MC68HSR705J1A](#) for additional information.

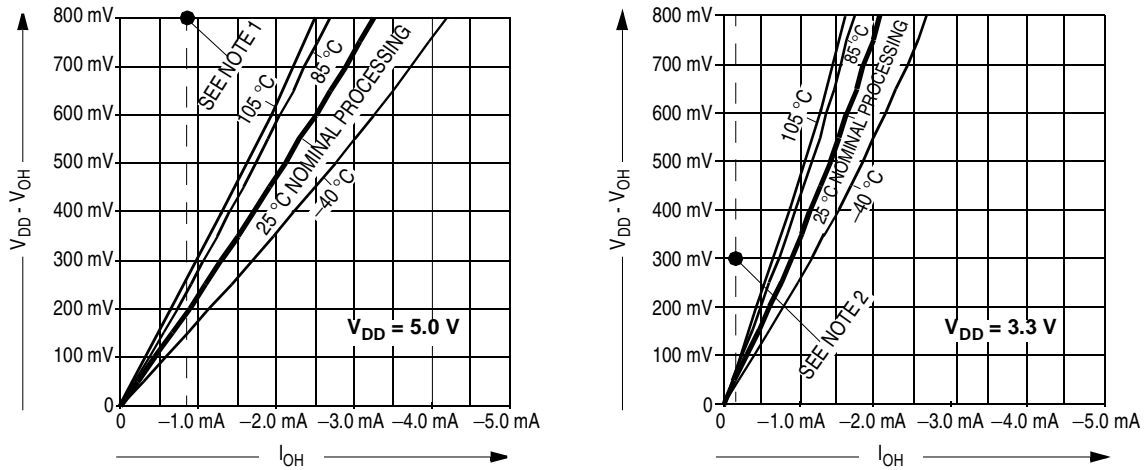
Electrical Specifications

10.8 3.3-Volt DC Electrical Characteristics

Characteristic <sup>(1)</sup>	Symbol	Min	Typ <sup>(2)</sup>	Max	Unit
Output voltage $I_{Load} = 10.0 \mu A$ $I_{Load} = -10.0 \mu A$	$V_{OL}$ $V_{OH}$	— $V_{DD} - 0.1$	— —	0.1 —	V
Output high voltage ( $I_{Load} = -0.2 \text{ mA}$ ) PA0–PA7, PB0–PB5	$V_{OH}$	$V_{DD} - 0.3$	—	—	V
Output low voltage ( $I_{Load} = 0.4 \text{ mA}$ ) PA0–PA3, PB0–PB5 ( $I_{Load} = 5.0 \text{ mA}$ ) PA4–PA7	$V_{OL}$	—	—	0.3 0.3	V
Input high voltage PA0–PA7, PB0–PB5, $\overline{IRQ}/V_{PP}$ , $\overline{RESET}$ , OSC1	$V_{IH}$	$0.7 \times V_{DD}$	—	$V_{DD}$	V
Input low voltage PA0–PA7, PB0–PB5, $\overline{IRQ}/V_{PP}$ , $\overline{RESET}$ , OSC1	$V_{IL}$	$V_{SS}$	—	$0.2 \times V_{DD}$	V
Supply current Run Mode <sup>(3)</sup> Wait Mode <sup>(4)</sup> Stop Mode <sup>(5)</sup> 25°C –40 to 105°C	$I_{DD}$	— — — —	1.2 0.25 0.1 1.0	4.0 1.5 5 10	mA mA $\mu A$ $\mu A$
I/O ports hi-z leakage current PA0–PA7, PB0–PB5 (without individual pulldown activated)	$I_{IL}$	—	0.1	$\pm 1$	$\mu A$
Input pulldown current PA0–PA7, PB0–PB5 (with individual pulldown activated)	$I_{IL}$	12	30	100	$\mu A$
Input pullup current RESET	$I_{IL}$	–10	–25	–45	$\mu A$
Input current <sup>(6)</sup> $\overline{RESET}$ , $\overline{IRQ}/V_{PP}$ , OSC1	$I_{in}$	—	0.1	$\pm 1$	$\mu A$
Capacitance Ports (as inputs or outputs) $\overline{RESET}$ , $\overline{IRQ}/V_{PP}$ , OSC1, OSC2	$C_{Out}$ $C_{In}$	— —	— —	12 8	pF
Crystal/ceramic resonator oscillator mode internal resistor OSC1 to OSC2 <sup>(7)</sup>	$R_{osc}$	1.0	2.0	3.0	M $\Omega$

- $V_{DD} = 3.3 \text{ Vdc} \pm 10\%$ ,  $V_{SS} = 0 \text{ Vdc}$ ,  $T_A = -40^\circ\text{C}$  to  $+105^\circ\text{C}$ , unless otherwise noted
- Typical values at midpoint of voltage range, 25°C only
- Run mode  $I_{DD}$  is measured using external square wave clock source ( $f_{osc} = 2.0 \text{ MHz}$ ); all inputs 0.2 V from rail; no dc loads; less than 50 pF on all outputs;  $C_L = 20 \text{ pF}$  on OSC2
- Wait mode  $I_{DD}$ : only timer system active. Wait mode is affected linearly by OSC2 capacitance. Wait mode is measured with all ports configured as inputs;  $V_{IL} = 0.2 \text{ V}$ ;  $V_{IH} = V_{DD} - 0.2 \text{ V}$ . Wait mode  $I_{DD}$  is measured using external square wave clock source ( $f_{osc} = 2.0 \text{ MHz}$ ); all inputs 0.2 V from rail; no dc loads; less than 50 pF on all outputs;  $C_L = 20 \text{ pF}$  on OSC2.
- Stop mode  $I_{DD}$  is measured with OSC1 =  $V_{SS}$ . Stop mode  $I_{DD}$  is measured with all ports configured as inputs;  $V_{IL} = 0.2 \text{ V}$ ;  $V_{IH} = V_{DD} - 0.2 \text{ V}$
- Only input high current rated to +1  $\mu A$  on  $\overline{RESET}$ .
- The  $R_{osc}$  value selected for RC oscillator versions of this device is unspecified. See [Appendix C. MC68HSR705J1A](#) for additional information.

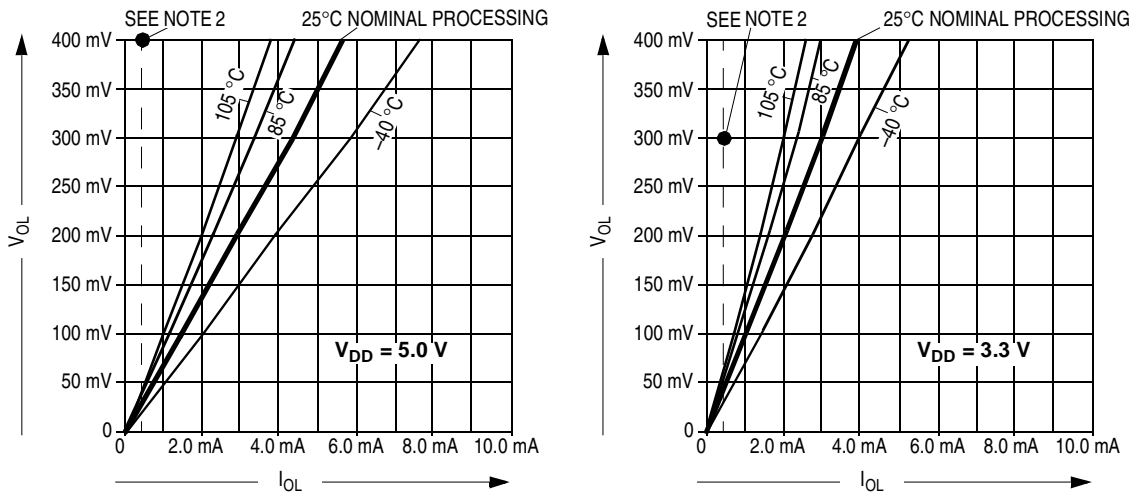
### 10.9 Driver Characteristics



Notes:

1. At  $V_{DD} = 5.0\text{ V}$ , devices are specified and tested for  $(V_{DD} - V_{OH}) \leq 800\text{ mV}$  @  $I_{OH} = -0.8\text{ mA}$ .
2. At  $V_{DD} = 3.3\text{ V}$ , devices are specified and tested for  $(V_{DD} - V_{OH}) \leq 300\text{ mV}$  @  $I_{OH} = -0.2\text{ mA}$ .

Figure 10-1. PA0–PA7, PB0–PB5 Typical High-Side Driver Characteristics

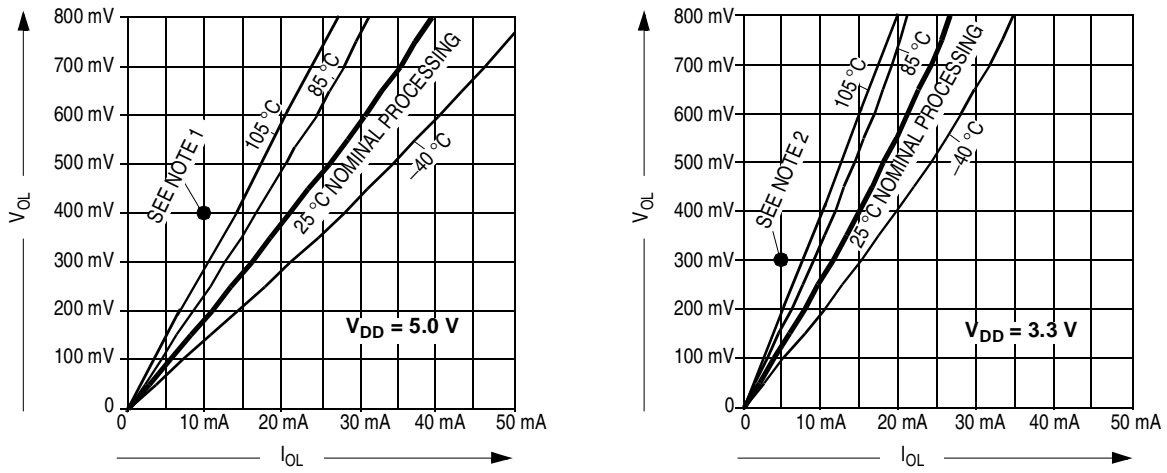


Notes:

1. At  $V_{DD} = 5.0\text{ V}$ , devices are specified and tested for  $V_{OL} \leq 400\text{ mV}$  @  $I_{OL} = 1.6\text{ mA}$ .
2. At  $V_{DD} = 3.3\text{ V}$ , devices are specified and tested for  $V_{OL} \leq 300\text{ mV}$  @  $I_{OL} = 0.4\text{ mA}$ .

Figure 10-2. PA0–PA3, PB0–PB5 Typical Low-Side Driver Characteristics

Electrical Specifications

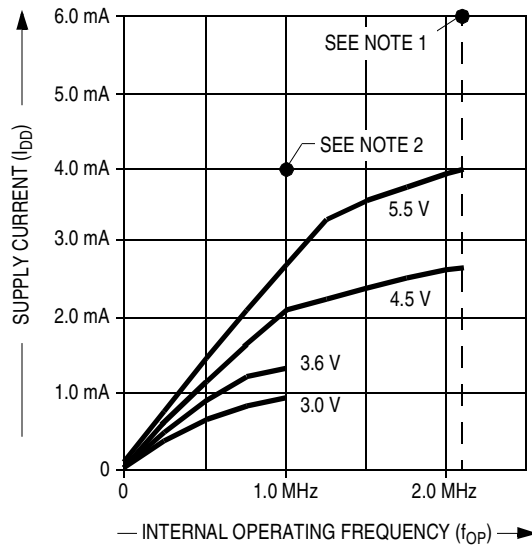


Notes:

1. At  $V_{DD} = 5.0\text{ V}$ , devices are specified and tested for  $V_{OL} \leq 400\text{ mV}$  @  $I_{OL} = 10.0\text{ mA}$ .
2. At  $V_{DD} = 3.3\text{ V}$ , devices are specified and tested for  $V_{OL} \leq 300\text{ mV}$  @  $I_{OL} = 5.0\text{ mA}$ .

Figure 10-3. PA4–PA7 Typical Low-Side Driver Characteristics

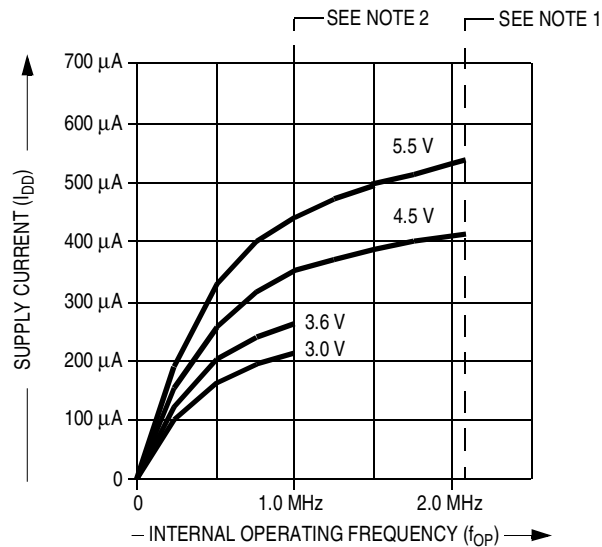
10.10 Typical Supply Currents



Notes:

1. At  $V_{DD} = 5.0$  V, devices are specified and tested for  $I_{DD} \leq 6.0$  mA @  $f_{OP} = 2.1$  MHz.
2. At  $V_{DD} = 3.3$  V, devices are specified and tested for  $I_{DD} \leq 4.0$  mA @  $f_{OP} = 1.0$  MHz.

Figure 10-4. Typical Operating  $I_{DD}$  (25°C)



Notes:

1. At  $V_{DD} = 5.0$  V, devices are specified and tested for  $I_{DD} \leq 2.75$  mA @  $f_{OP} = 2.1$  MHz.
2. At  $V_{DD} = 3.3$  V, devices are specified and tested for  $I_{DD} \leq 1.5$  mA @  $f_{OP} = 1.0$  MHz.

Figure 10-5. Typical Wait Mode  $I_{DD}$  (25°C)

**Electrical Specifications**

**10.11 EPROM Programming Characteristics**

Characteristic <sup>(1)</sup>	Symbol	Min	Typ	Max	Unit
Programming voltage IRQ/V <sub>PP</sub>	V <sub>PP</sub>	16.0	16.5	17.0	V
Programming current IRQ/V <sub>PP</sub>	I <sub>PP</sub>	—	3.0	10.0	mA
Programming time Per array byte MOR	t <sub>EPGM</sub> t <sub>MPPGM</sub>	4 4	— —	— —	ms

1. V<sub>DD</sub> = 5.0 Vdc ± 10%, V<sub>SS</sub> = 0 Vdc, T<sub>A</sub> = -40°C to +105°C, unless otherwise noted

**10.12 5.0-Volt Control Timing**

Characteristic <sup>(1)</sup>	Symbol	Min	Max	Unit
Oscillator frequency Crystal oscillator option External clock source	f <sub>osc</sub>	— dc	4.2 4.2	MHz
Internal operating frequency (f <sub>osc</sub> ÷ 2) Crystal oscillator External clock	f <sub>op</sub>	— dc	2.1 2.1	MHz
Cycle time (1 ÷ f <sub>OP</sub> )	t <sub>cyc</sub>	476	—	ns
RESET pulse width low	t <sub>RL</sub>	1.5	—	t <sub>cyc</sub>
IRQ interrupt pulse width low (edge-triggered)	t <sub>ILIH</sub>	1.5	—	t <sub>cyc</sub>
IRQ interrupt pulse width low (edge- and level-triggered)	t <sub>LIL</sub>	1.5	Note <sup>(2)</sup>	t <sub>cyc</sub>
PA0-PA3 interrupt pulse width high (edge-triggered)	t <sub>IHIL</sub>	1.5	—	t <sub>cyc</sub>
PA0-PA3 interrupt pulse width (edge- and level-triggered)	t <sub>IHIH</sub>	1.5	Note <sup>(2)</sup>	t <sub>cyc</sub>
OSC1 pulse width	t <sub>OH</sub> , t <sub>OL</sub>	200	—	ns

1. V<sub>DD</sub> = 5.0 Vdc ± 10%, V<sub>SS</sub> = 0 Vdc, T<sub>A</sub> = -40°C to +105°C, unless otherwise noted

2. The maximum width, t<sub>LIL</sub> or t<sub>LIH</sub>, should not be more than the number of cycles it takes to execute the interrupt service routine plus 19 t<sub>cyc</sub> or the interrupt service routine will be re-entered.

### 10.13 3.3-Volt Control Timing

Characteristic <sup>(1)</sup>	Symbol	Min	Max	Unit
Oscillator frequency Crystal oscillator option External clock source	$f_{osc}$	— dc	2.0 2.0	MHz
Internal operating frequency ( $f_{osc} \div 2$ ) Crystal oscillator External clock	$f_{op}$	— dc	1.0 1.0	MHz
Cycle time ( $1 \div f_{op}$ )	$t_{cyc}$	1000	—	ns
$\overline{RESET}$ pulse width low	$t_{RL}$	1.5	—	$t_{cyc}$
$\overline{IRQ}$ interrupt pulse width low (edge-triggered)	$t_{LIH}$	1.5	—	$t_{cyc}$
$\overline{IRQ}$ interrupt pulse width low (edge- and level-triggered)	$t_{LIL}$	1.5	Note <sup>(2)</sup>	$t_{cyc}$
PA0–PA3 interrupt pulse width high (edge-triggered)	$t_{HIL}$	1.5	—	$t_{cyc}$
PA0–PA3 interrupt pulse width (edge- and level-triggered)	$t_{HIH}$	1.5	Note <sup>(2)</sup>	$t_{cyc}$
OSC1 pulse width	$t_{OH}, t_{OL}$	400	—	ns

1.  $V_{DD} = 3.3 \text{ Vdc} \pm 10\%$ ,  $V_{SS} = 0 \text{ Vdc}$ ,  $T_A = -40^\circ\text{C}$  to  $+105^\circ\text{C}$ , unless otherwise noted

2. The maximum width,  $t_{LIL}$  or  $t_{LIH}$ , should not be more than the number of cycles it takes to execute the interrupt service routine plus  $19 t_{cyc}$  or the interrupt service routine will be re-entered.

Electrical Specifications

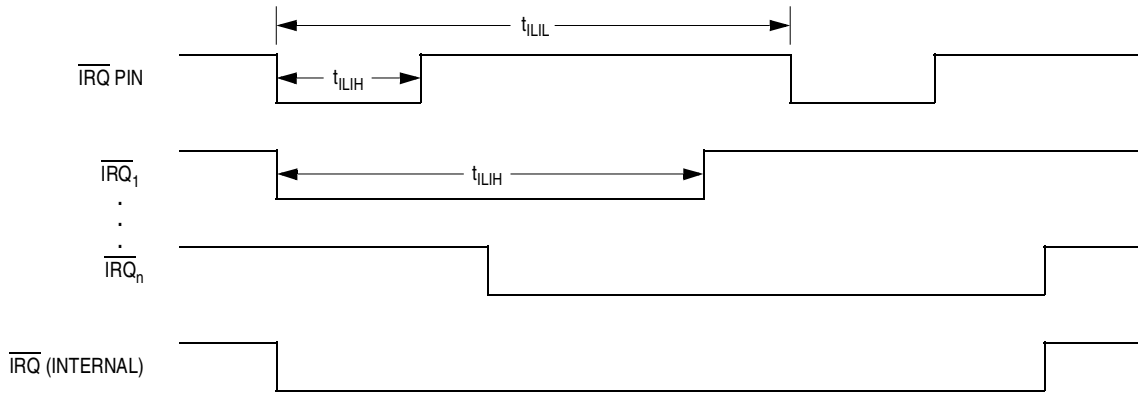
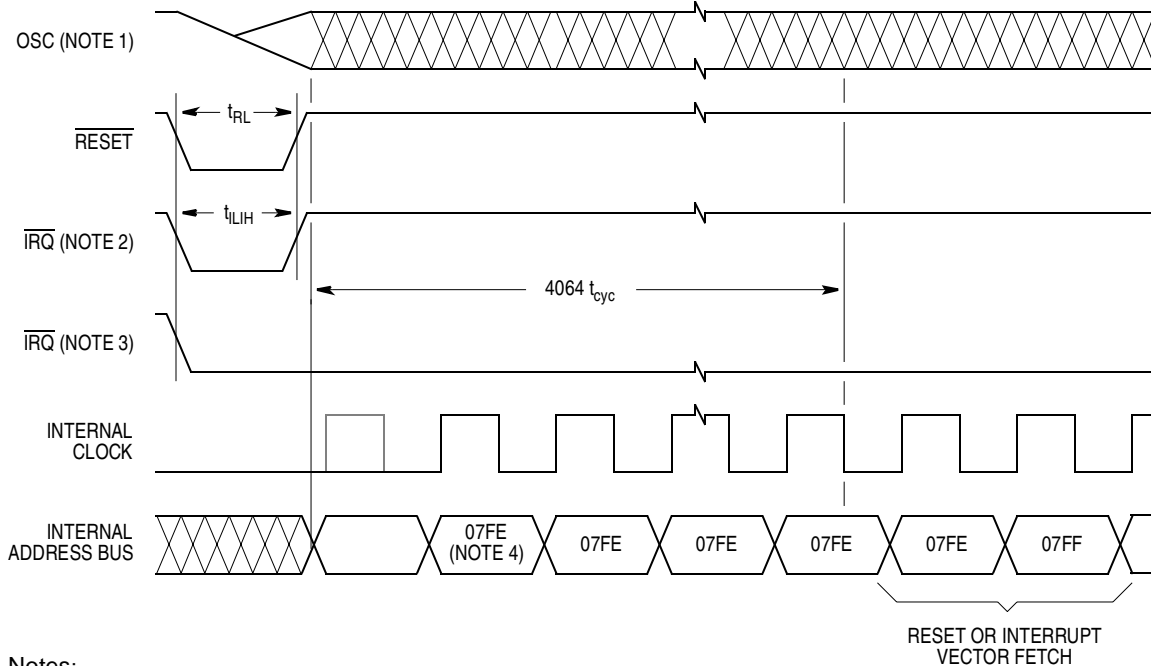


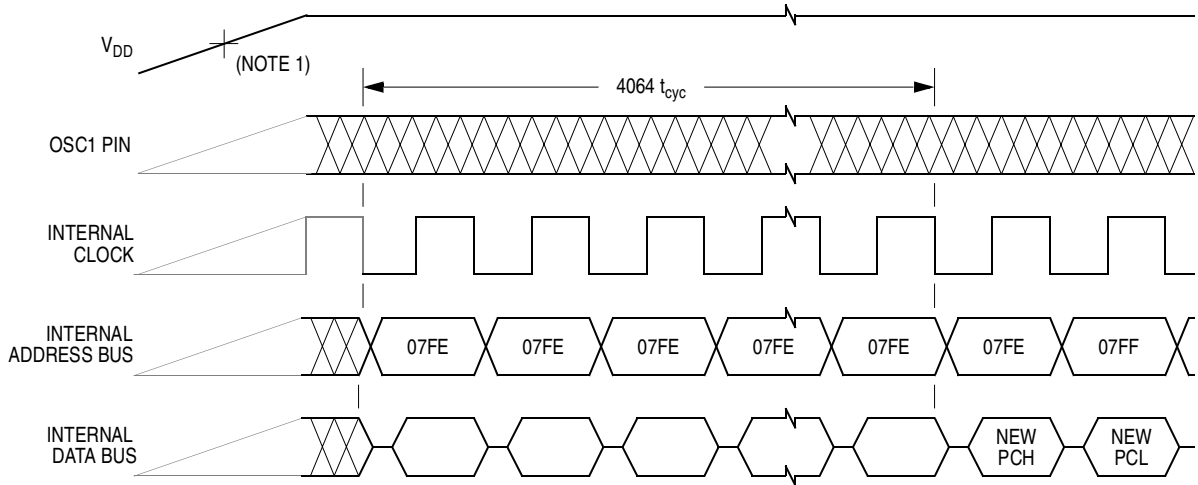
Figure 10-6. External Interrupt Timing



- Notes:
1. Internal clocking from OSC1 pin
  2. Edge-triggered external interrupt mask option
  3. Edge- and level-triggered external interrupt mask option
  4. Reset vector shown as example

Figure 10-7. Stop Mode Recovery Timing

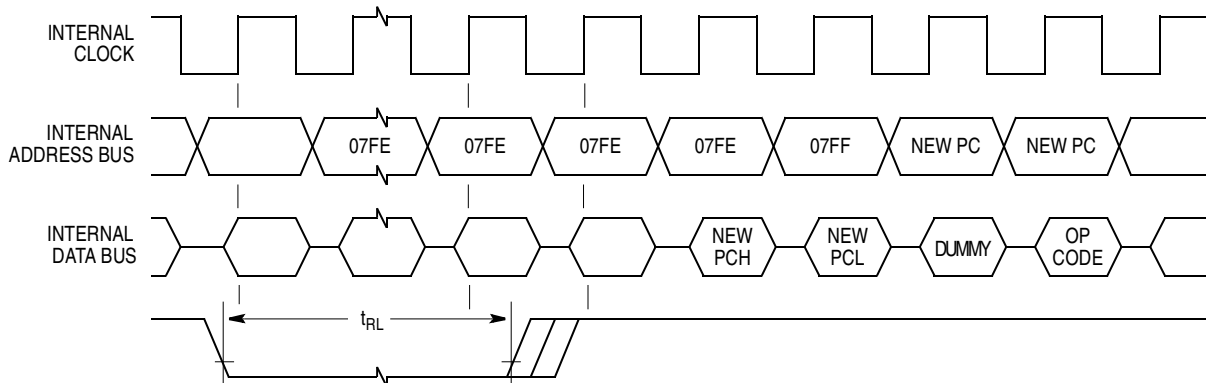




Notes:

1. Power-on reset threshold is typically between 1 V and 2 V.
2. Internal clock, internal address bus, and internal data bus are not available externally.

Figure 10-8. Power-On Reset Timing



Notes:

1. Internal clock, internal address bus, and internal data bus are not available externally.
2. The next rising edge of the internal clock after the rising edge of RESET initiates the reset sequence.

Figure 10-9. External Reset Timing



## Section 11. Mechanical Specifications

### 11.1 Contents

11.2	Introduction . . . . .	131
11.3	Plastic Dual In-Line Package (Case 738) . . . . .	132
11.4	Small Outline Integrated Circuit (Case 751) . . . . .	132
11.5	Ceramic Dual In-Line Package (Case 732) . . . . .	133

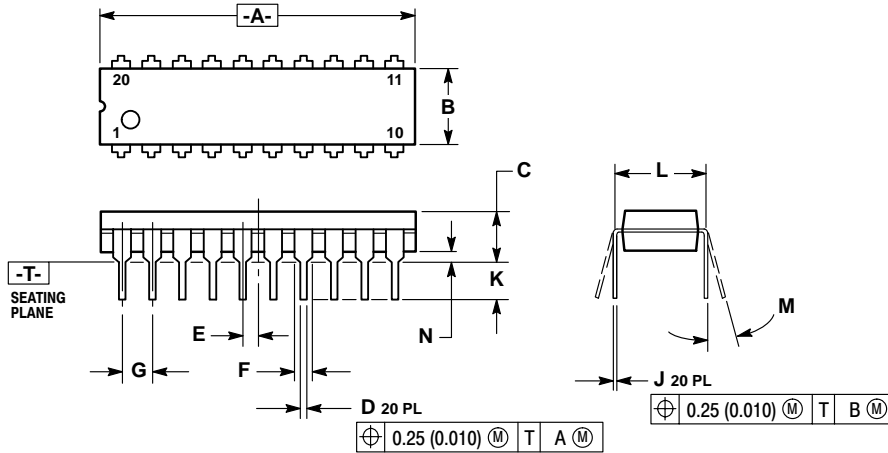
### 11.2 Introduction

The MC68HC705J1A, the resistor-capacitor (RC) oscillator, and high-speed option devices described in [Appendix A. MC68HRC705J1A](#), [Appendix B. MC68HSC705J1A](#), and [Appendix C. MC68HSR705J1A](#) are available in the following packages:

- 738-03 — plastic dual in-line package (PDIP)
- 751D-04 — small outline integrated circuit (SOIC)
- 732-03 — ceramic DIP (cerdip) (windowed)

Mechanical Specifications

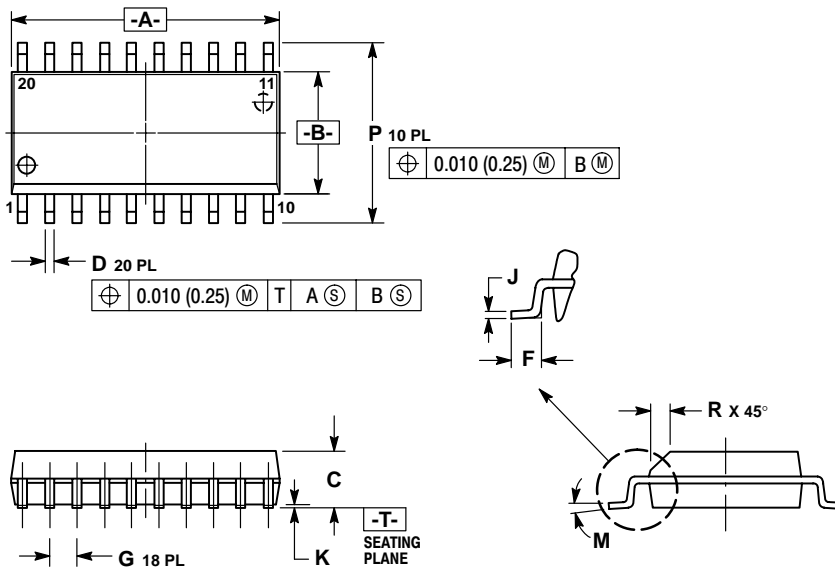
11.3 Plastic Dual In-Line Package (Case 738)



- NOTES:
1. DIMENSIONING AND TOLERANCING PER ANSI Y14.5M, 1982.
  2. CONTROLLING DIMENSION: INCH.
  3. DIMENSION L TO CENTER OF LEAD WHEN FORMED PARALLEL.
  4. DIMENSION B DOES NOT INCLUDE MOLD FLASH.

DIM	INCHES		MILLIMETERS	
	MIN	MAX	MIN	MAX
A	1.010	1.070	25.66	27.17
B	0.240	0.260	6.10	6.60
C	0.150	0.180	3.81	4.57
D	0.015	0.022	0.39	0.55
E	0.050 BSC		1.27 BSC	
F	0.050		1.27	
G	0.100 BSC		2.54 BSC	
J	0.008	0.015	0.21	0.38
K	0.110	0.140	2.80	3.55
L	0.300 BSC		7.62 BSC	
M	0°	15°	0°	15°
N	0.020	0.040	0.51	1.01

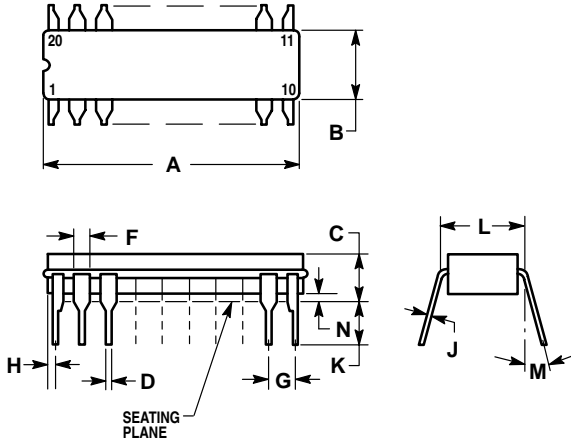
11.4 Small Outline Integrated Circuit (Case 751)



- NOTES:
1. DIMENSIONING AND TOLERANCING PER ANSI Y14.5M, 1982.
  2. CONTROLLING DIMENSION: MILLIMETER.
  3. DIMENSIONS A AND B DO NOT INCLUDE MOLD PROTRUSION.
  4. MAXIMUM MOLD PROTRUSION 0.150 (0.006) PER SIDE.
  5. DIMENSION D DOES NOT INCLUDE DAMBAR PROTRUSION. ALLOWABLE DAMBAR PROTRUSION SHALL BE 0.13 (0.005) TOTAL IN EXCESS OF D DIMENSION AT MAXIMUM MATERIAL CONDITION.

DIM	MILLIMETERS		INCHES	
	MIN	MAX	MIN	MAX
A	12.65	12.95	0.499	0.510
B	7.40	7.60	0.292	0.299
C	2.35	2.65	0.093	0.104
D	0.35	0.49	0.014	0.019
F	0.50	0.90	0.020	0.035
G	1.27 BSC		0.050 BSC	
J	0.25	0.32	0.010	0.012
K	0.10	0.25	0.004	0.009
M	0°	7°	0°	7°
P	10.05	10.55	0.395	0.415
R	0.25	0.75	0.010	0.029

**11.5 Ceramic Dual In-Line Package (Case 732)**



NOTES:

1. LEADS WITHIN 0.010 DIAMETER, TRUE POSITION AT SEATING PLANE, AT MAXIMUM MATERIAL CONDITION.
2. DIMENSION L TO CENTER OF LEADS WHEN FORMED PARALLEL.
3. DIMENSIONS A AND B INCLUDE MENISCUS.

DIM	INCHES	
	MIN	MAX
A	0.940	0.990
B	0.260	0.295
C	0.150	0.200
D	0.015	0.022
F	0.055	0.065
G	0.100 BSC	
H	0.020	0.050
J	0.008	0.012
K	0.125	0.160
L	0.300 BSC	
M	0°	15°
N	0.010	0.040



## Section 12. Ordering Information

### 12.1 Contents

12.2 Introduction ..... 135  
 12.3 MCU Order Numbers ..... 135

### 12.2 Introduction

This section contains ordering information for the available package types.

### 12.3 MCU Order Numbers

**Table 12-1** lists the MC order numbers.

**Table 12-1. Order Numbers**

Package Type	Case Outline	Pin Count	Operating Temperature	Order Number <sup>(1)</sup>
PDIP	738-03	20	0 to 70°C -40 to +85°C -40 to +105°C	MC68HC705J1AP <sup>(2)</sup> MC68HC705J1AC <sup>(3)</sup> P MC68HC705J1AV <sup>(4)</sup> P
SOIC	751D-04	20	0 to 70°C -40 to +85°C -40 to +105°C	MC68HC705J1ADW <sup>(5)</sup> MC68HC705J1ACDW MC68HC705J1AVDW
Cerdip	732-03	20	0 to 70°C -40 to +85°C -40 to +105°C	MC68HC705J1AS <sup>(6)</sup> MC68HC705J1ACS MC68HC705J1AVS

1. Refer to **Appendix A. MC68HRC705J1A**, **Appendix B. MC68HSC705J1A**, and **Appendix C. MC68HSR705J1A** for ordering information on optional high-speed and resistor-capacitor oscillator devices.
2. P = Plastic dual in-line package (PDIP)
3. C = Extended temperature range
4. V = Automotive temperature range
5. DW = Small outline integrated circuit (SOIC)
6. S = Ceramic dual in-line package (cerdip)





## **Appendix A. MC68HRC705J1A**

### **A.1 Contents**

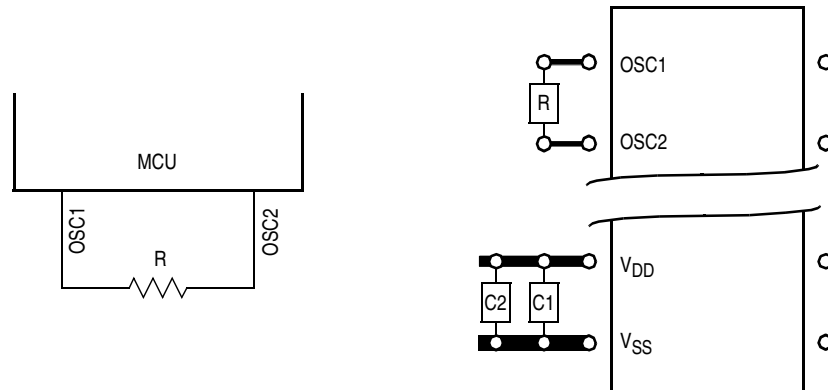
A.2	Introduction . . . . .	137
A.3	RC Oscillator Connections . . . . .	138
A.4	Typical Internal Operating Frequency for RC Oscillator Option. . . . .	139
A.5	Package Types and Order Numbers . . . . .	140

### **A.2 Introduction**

This appendix introduces the MC68HRC705J1A, a resistor-capacitor (RC) oscillator mask option version of the MC68HC705J1A. All of the information in this document applies to the MC68HRC705J1A with the exceptions given in this appendix.

### A.3 RC Oscillator Connections

For greater cost reduction, the RC oscillator mask option allows the configuration shown in **Figure A-1** to drive the on-chip oscillator. Mount the RC components as close as possible to the pins for startup stabilization and to minimize output distortion.



**Figure A-1. RC Oscillator Connections**

**NOTE:** The optional internal resistor is **not** recommended for configurations that use the RC oscillator connections as shown in **Figure A-1**. For such configurations, the oscillator internal resistor (OSCRES) bit of the mask option register should be programmed to a logic 0.

### A.4 Typical Internal Operating Frequency for RC Oscillator Option

Figure A-2 shows typical internal operating frequencies at 25°C for the RC oscillator option.

**NOTE:** Tolerance for resistance is  $\pm 50\%$ . When selecting resistor size, consider the tolerance to ensure that the resulting oscillator frequency does not exceed the maximum operating frequency.

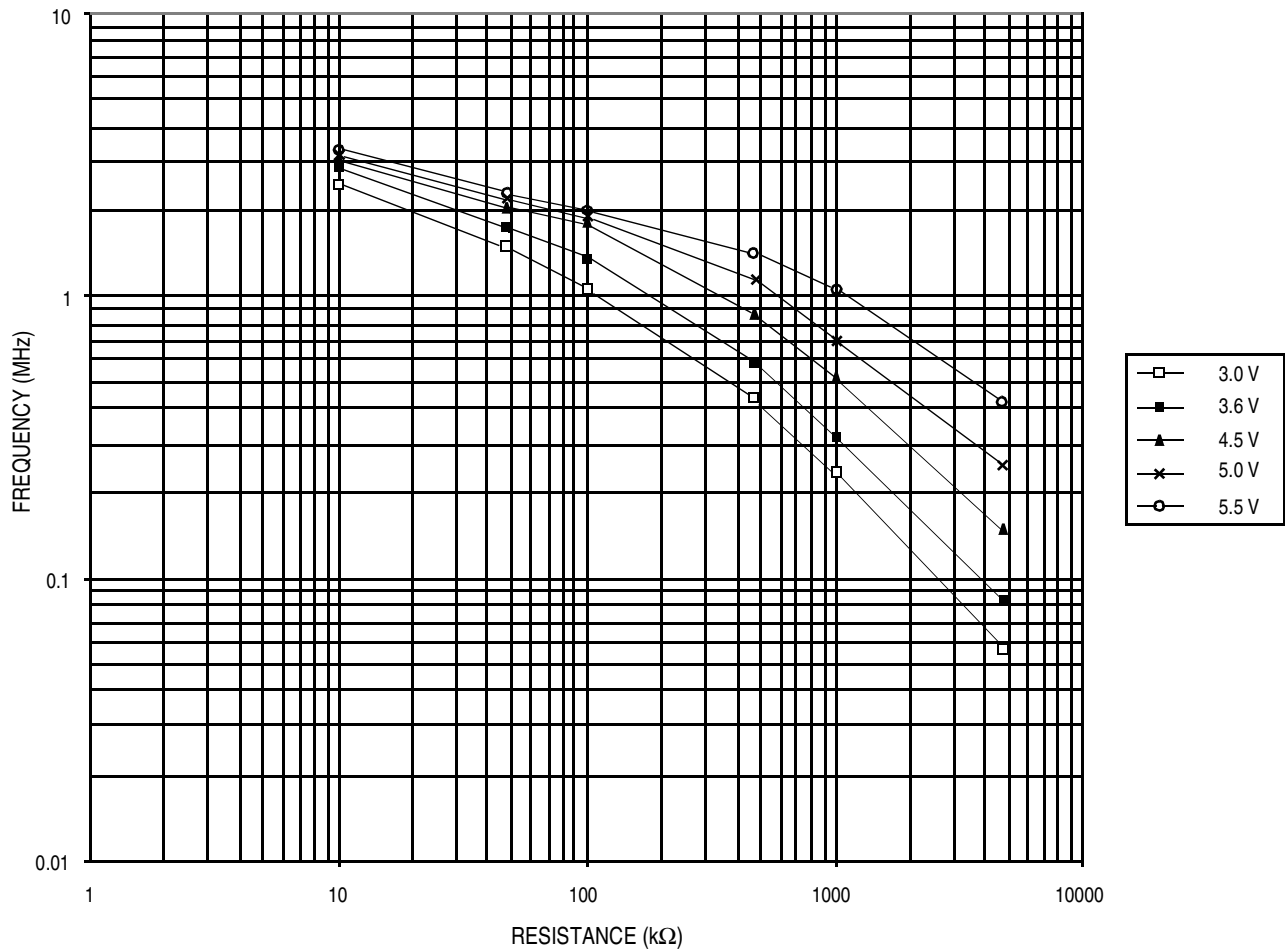


Figure A-2. Typical Internal Operating Frequency for Various  $V_{DD}$  at 25°C — RC Oscillator Option Only

A.5 Package Types and Order Numbers

Table A-1. MC68HRC705J1A (RC Oscillator Option)  
Order Numbers

Package Type	Case Outline	Pin Count	Operating Temperature	Order Number <sup>(1)</sup>
PDIP	738-03	20	0 to 70°C -40 to +85°C -40 to +105°C	MC68HRC705J1AP <sup>(2)</sup> MC68HRC705J1AC <sup>(3)P</sup> MC68HRC705J1AV <sup>(4)P</sup>
SOIC	751D-04	20	0 to 70°C -40 to +85°C -40 to +105°C	MC68HRC705J1ADW <sup>(5)</sup> MC68HRC705J1ACDW MC68HRC705J1AVDW
Cerdip	732-03	20	0 to 70°C -40 to +85°C -40 to +105°C	MC68HRC705J1AS <sup>(6)</sup> MC68HRC705J1ACS MC68HRC705J1AVS

1. Refer to [Section 12. Ordering Information](#) for standard part ordering information.
2. P = plastic dual in-line package (PDIP)
3. C = extended temperature range
4. V = automotive temperature range
5. DW = small outline integrated circuit (SOIC)
6. S = ceramic dual in-line package (cerdip)

Freescale Semiconductor, Inc.

## **Appendix B. MC68HSC705J1A**

### **B.1 Contents**

B.2	Introduction . . . . .	141
B.3	5.0-Volt DC Electrical Characteristics . . . . .	142
B.4	3.3-Volt DC Electrical Characteristics . . . . .	142
B.5	Typical Supply Currents . . . . .	142
B.6	Package Types and Order Numbers . . . . .	144

### **B.2 Introduction**

This appendix introduces the MC68HSC705J1A, a high-speed version of the MC68HC705J1A. All of the information in this document applies to the MC68HSC705J1A with the exceptions given in this appendix.

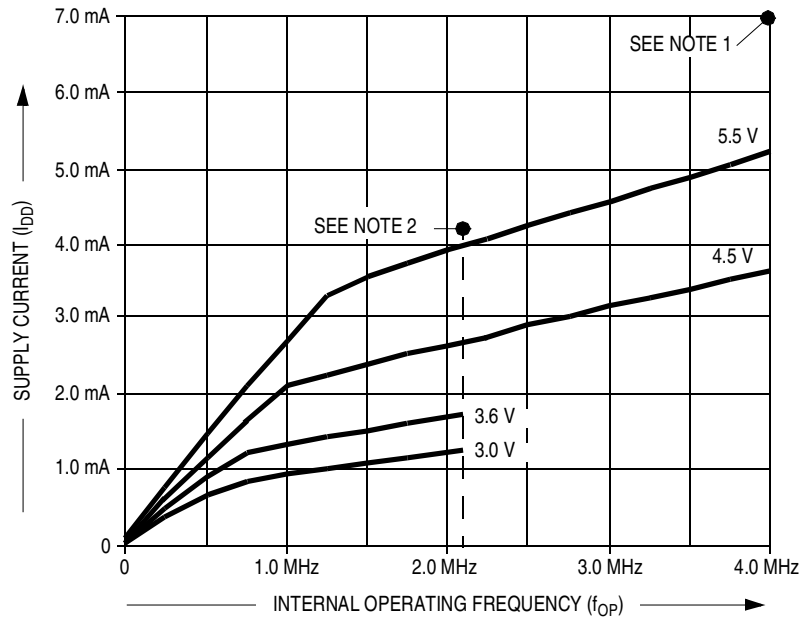
B.3 5.0-Volt DC Electrical Characteristics

Characteristic	Symbol	Min	Typ	Max	Unit
Supply current ( $f_{OP} = 4.0$ MHz)					
Run	$I_{DD}$	—	4.25	7.0	mA
Wait			0.57	3.25	

B.4 3.3-Volt DC Electrical Characteristics

Characteristic	Symbol	Min	Typ	Max	Unit
Supply current ( $f_{OP} = 2.1$ MHz)					
Run	$I_{DD}$	—	1.4	4.25	mA
Wait			0.28	1.75	

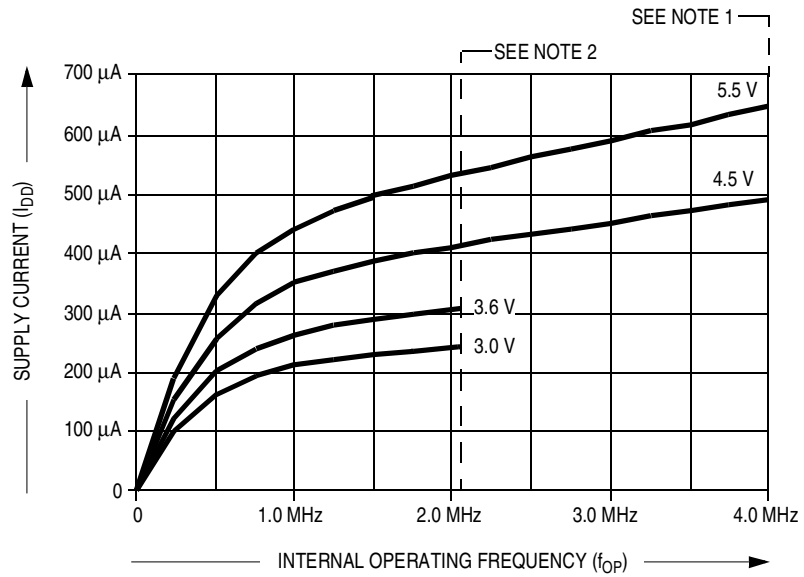
B.5 Typical Supply Currents



Notes:

1. At  $V_{DD} = 5.0$  V, high-speed devices are specified and tested for  $I_{DD} \leq 7.0$  mA @  $f_{OP} = 4.0$  MHz.
2. At  $V_{DD} = 3.3$  V, high-speed devices are specified and tested for  $I_{DD} \leq 4.25$  mA @  $f_{OP} = 2.1$  MHz.

Figure B-1. Typical High-Speed Operating  $I_{DD}$  (25°C)



Notes:

1. At  $V_{DD} = 5.0$  V, high-speed devices are specified and tested for  $I_{DD} \leq 3.25$  mA @  $f_{OP} = 4.0$  MHz.
2. At  $V_{DD} = 3.3$  V, high-speed devices are specified and tested for  $I_{DD} \leq 1.75$  mA @  $f_{OP} = 2.1$  MHz.

Figure B-2. Typical High-Speed Wait Mode  $I_{DD}$  (25°C)

B.6 Package Types and Order Numbers

Table B-1. MC68HSC705J1A (High Speed) Order Numbers

Package Type	Case Outline	Pin Count	Operating Temperature	Order Number <sup>(1)</sup>
PDIP	738-03	20	0 to 70°C –40 to +85°C	MC68HSC705J1AP <sup>(2)</sup> MC68HSC705J1AC <sup>(3)</sup> P
SOIC	751D-04	20	0 to 70°C –40 to +85°C	MC68HSC705J1ADW <sup>(4)</sup> MC68HSC705J1ACDW
Cerdip	732-03	20	0 to 70°C –40 to +85°C	MC68HSC705J1AS <sup>(5)</sup> MC68HSC705J1ACS

1. Refer to [Section 12. Ordering Information](#) for standard part ordering information.
2. P = plastic dual in-line package (PDIP)
3. C = extended temperature range
4. DW = small outline integrated circuit (SOIC)
5. S = ceramic dual in-line package (cerdip)



## Appendix C. MC68HSR705J1A

### C.1 Contents

C.2	Introduction . . . . .	145
C.3	RC Oscillator Connections (External Resistor) . . . . .	145
C.4	Typical Internal Operating Frequency at 25°C for High-Speed RC Oscillator Option. . . . .	146
C.5	RC Oscillator Connections (No External Resistor) . . . . .	147
C.6	Typical Internal Operating Frequency versus Temperature (No External Resistor) . . . . .	148
C.7	Package Types and Order Numbers . . . . .	149

### C.2 Introduction

This appendix introduces the MC68HSR705J1A, a high-speed version of the MC68HRC705J1A. All of the information in this document applies to the MC68HSR705J1A with the exceptions given in this appendix.

### C.3 RC Oscillator Connections (External Resistor)

Refer to [Appendix A. MC68HRC705J1A](#) for a description of the resistor-capacitor (RC) oscillator connections with external resistor.

C.4 Typical Internal Operating Frequency at 25°C for High-Speed RC Oscillator Option

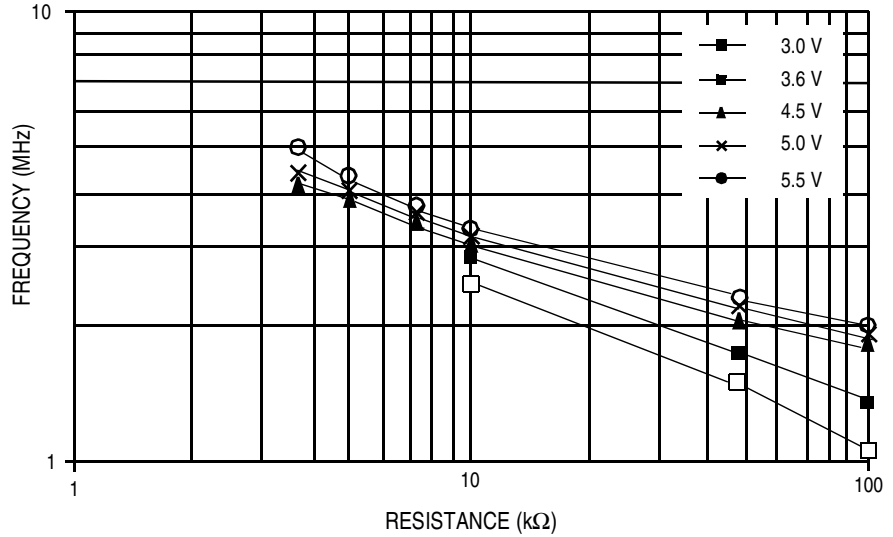


Figure C-1. Typical Internal Operating Frequency at 25°C for High-Speed RC Oscillator Option

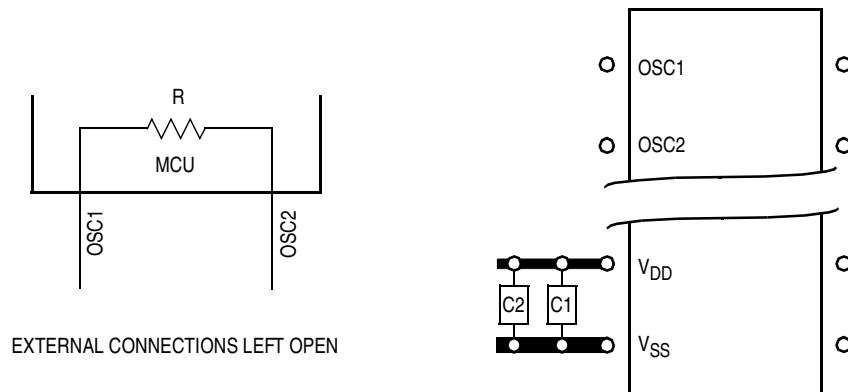
For lower frequency operation characteristics, refer to [Appendix A. MC68HRC705J1A](#).

**NOTE:** Tolerance for resistance is  $\pm 50$  percent. When selecting resistor size, consider the tolerance to ensure that resulting oscillator frequency does not exceed the maximum operating frequency.

### C.5 RC Oscillator Connections (No External Resistor)

For maximum cost reduction, the RC oscillator mask connections shown in **Figure C-2** allow the on-chip oscillator to be driven with **no** external components. This can be accomplished by programming the oscillator internal resistor (OSCRES) bit in the mask option register to a logic 1. When programming the OSCRES bit for the MC68HSR705J1A, an internal resistor is selected which yields typical internal oscillator frequencies as shown in **Figure C-3**. The internal resistance for this device is different than the resistance of the selectable internal resistor on the MC68HC705J1A and the MC68HSC705J1A devices.

**NOTE:** *This option is not available on the ROM version of this device (MC68HC05J1A).*



**Figure C-2. RC Oscillator Connections (No External Resistor)**

C.6 Typical Internal Operating Frequency versus Temperature  
(No External Resistor)

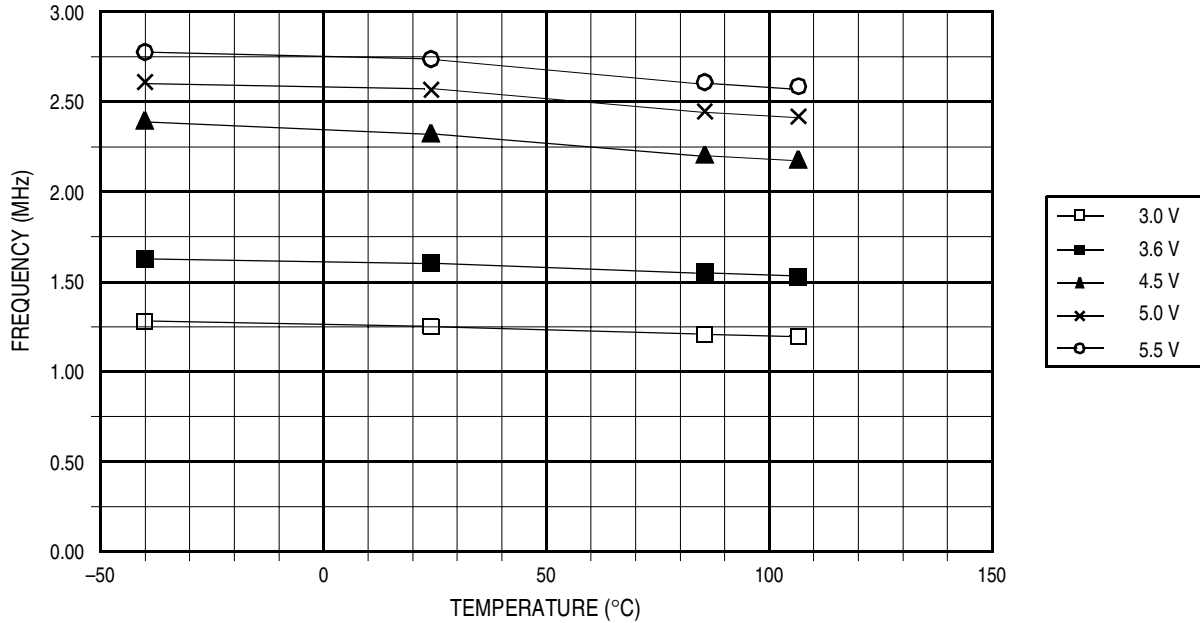


Figure C-3. Typical Internal Operating Frequency versus Temperature (OSCRES Bit = 1)

**NOTE:** Due to process variations, operating voltages, and temperature requirements, the internal resistance and tolerance are unspecified. Typically for a given voltage and temperature, the frequency should not vary more than  $\pm 500$  kHz. However, this data is not guaranteed. It is the user's responsibility to ensure that the resulting internal operating frequency meets the user's requirements.

**C.7 Package Types and Order Numbers**

**Table C-1. MC68HSR705J1A (High-Speed RC Oscillator Option) Order Numbers<sup>(1)</sup>**

Package Type	Case Outline	Pin Count	Operating Temperature	Order Number
PDIP	738-03	20	0 to 70°C -40 to +85°C	MC68HSR705J1AP <sup>(2)</sup> MC68HSR705J1AC <sup>(3)</sup> P
SOIC	751D-04	20	0 to 70°C -40 to +85°C	MC68HSR705J1ADW <sup>(4)</sup> MC68HSR705J1ACDW
Cerdip	732-03	20	0 to 70°C -40 to +85°C	MC68HSR705J1AS <sup>(5)</sup> MC68HSR705J1ACS

1. Refer to [Section 12. Ordering Information](#) for standard part ordering information.
2. P = plastic dual in-line package (PDIP)
3. C = extended temperature range
4. DW = small outline integrated circuit (SOIC)
5. S = ceramic dual in-line package (cerdip)



Index

<b>A</b>	
accumulator register (A) . . . . .	48
addressing modes . . . . .	52
<b>B</b>	
block diagram . . . . .	23
brownout . . . . .	98
<b>C</b>	
C bit . . . . .	51
central processor unit (CPU) . . . . .	45
computer operating properly (COP) module . . . . .	97
condition code register (CCR) . . . . .	50
COP watchdog . . . . .	82
COP in stop mode . . . . .	100
COP in wait mode . . . . .	100
COP register (COPR) . . . . .	99
COP reset . . . . .	72
features . . . . .	97
interrupts . . . . .	99
low-power modes . . . . .	100
operation . . . . .	98
programmable option . . . . .	25
COPEN bit . . . . .	42
CPU . . . . .	46
features . . . . .	46
instruction set . . . . .	52
instruction set summary . . . . .	61
instruction types . . . . .	55
opcode map . . . . .	67
programming model . . . . .	47

CPU registers	
accumulator register (A) . . . . .	48
index register (X) . . . . .	48
program counter register (PC) . . . . .	50
stack pointer register (SP) . . . . .	49
<b>D</b>	
data direction registers	
data direction register A (DDRA) . . . . .	90
data direction register B (DDRB) . . . . .	93
data-retention mode . . . . .	84
<b>E</b>	
ELAT bit. . . . .	39
electrical specifications . . . . .	117
control timing . . . . .	126, 127
DC electrical characteristics . . . . .	121, 122
driver characteristics . . . . .	123
maximum ratings . . . . .	118
MC68HSC705J1A (high-speed option) . . . . .	142
MC68HSR705J1A (high-speed RC oscillator option) . . . . .	145
operating temperature range . . . . .	119
port A . . . . .	95
port B . . . . .	95
power considerations . . . . .	120
thermal resistance . . . . .	119
typical supply currents . . . . .	125
electrostatic damage . . . . .	87
EPGM bit . . . . .	39
EPMSEC bit. . . . .	41
EPROM	
EPROM security programmable option . . . . .	25
EPROM/OTPROM. . . . .	38
erasing . . . . .	40
programming . . . . .	38, 40
programming characteristics . . . . .	43
programming register (EPROG). . . . .	39



external interrupt module (IRQ) . . . . .	101
external interrupt pins . . . . .	31
external reset. . . . .	72
<b>G</b>	
general description . . . . .	21
<b>H</b>	
H bit . . . . .	51
<b>I</b>	
I bit. . . . .	51
index register (X) . . . . .	48
instruction set . . . . .	52
addressing modes . . . . .	52
instruction set summary . . . . .	61
instruction types . . . . .	55
opcode map . . . . .	67
instruction types. . . . .	55
interrupts	
external interrupt . . . . .	73, 74
external interrupt logic . . . . .	74
external interrupt module . . . . .	101
external interrupt timing . . . . .	75, 107
external interrupt vector . . . . .	76
features . . . . .	101
interrupt flowchart. . . . .	78, 103
interrupt processing . . . . .	76
interrupt sources . . . . .	73
interrupt stacking order . . . . .	77
IRQ module block diagram. . . . .	102
IRQ status and control register (ISCR) . . . . .	106
IRQ/V <sub>PP</sub> pin . . . . .	101, 104
operation . . . . .	102
optional external interrupts. . . . .	104
pin sensitivity selection. . . . .	104
pin triggering option . . . . .	25
port A external interrupts programmable option. . . . .	25

real-time interrupts . . . . .	76
reset/interrupt vector addresses. . . . .	77
software interrupt . . . . .	73
software interrupt vector. . . . .	76
sources. . . . .	73
timer interrupt vector . . . . .	76
timer interrupts . . . . .	76, 112
timer overflow. . . . .	76
IRQ latch . . . . .	73
$\overline{\text{IRQ}}/\text{V}_{\text{PP}}$ pin . . . . .	31, 98, 104
IRQE bit. . . . .	106
IRQF bit . . . . .	106
IRQR bit. . . . .	106
<b>J</b>	
junction temperature . . . . .	120
<b>L</b>	
LEVEL bit. . . . .	42
low-power modes . . . . .	79
COP timeout period . . . . .	82
data-retention mode. . . . .	80, 84
effects on clock generation . . . . .	81
effects on COP. . . . .	82
effects on CPU. . . . .	82
effects on EPROM/OTEPROM. . . . .	84
effects on timer. . . . .	83
exiting stop mode. . . . .	80
exiting wait mode . . . . .	80
flowchart (STOP/HALT/WAIT) . . . . .	86
halt mode . . . . .	79
STOP instruction flowchart. . . . .	86
stop mode . . . . .	79, 82
stop recovery timing. . . . .	85
timer . . . . .	115
timing of stop mode recovery . . . . .	85
wait mode. . . . .	79

**M**

mask option register (MOR) .....	40
programming .....	41
MC68HC705J1A	
features .....	24
MC68HRC705J1A (RC oscillator option) .....	137
operating frequency .....	139
order numbers .....	140
package types .....	140
RC oscillator connections .....	138
MC68HSC705J1A (high-speed option) .....	141
DC electrical characteristics .....	142
order numbers .....	144
package types .....	144
typical operating current .....	142
typical wait mode current .....	143
MC68HSR705J1A (high-speed RC oscillator option) .....	145
operating frequencies (with OSCRES bit set) .....	148
operating frequency .....	146
order numbers .....	149
package types .....	149
RC oscillator .....	147
RC oscillator connections .....	147
mechanical specifications .....	131
memory .....	33
EPROM/OTPROM .....	38
EPROM/OTPROM programming .....	38
features .....	33
I/O register summary .....	35
mask option register .....	40
memory map .....	34
RAM .....	37
MPGM bit .....	39
multifunction timer module .....	109

**N**

N bit .....	51
-------------	----

O

opcode map . . . . .	67
options (mask) . . . . .	40
options (programmable) . . . . .	25
ordering information . . . . .	135
MC68HRC705J1A (RC oscillator option) . . . . .	140
MC68HSC705J1A (high-speed option) . . . . .	144
MC68HSR705J1A (high-speed RC oscillator option) . . . . .	149
order numbers . . . . .	135, 140, 144, 149
OSC1 pin . . . . .	27
OSC2 pin . . . . .	27
oscillator	
crystal oscillator internal resistor option . . . . .	25
delay counter programmable option . . . . .	25
on-chip oscillator stabilization delay . . . . .	71
pins . . . . .	27
OSCREG bit . . . . .	41

P

PA0–PA3 pins . . . . .	101
package types . . . . .	135
parallel input/output (I/O) ports . . . . .	87
pin assignments . . . . .	26
PIRQ bit . . . . .	42
port A	
data direction register (DDRA) . . . . .	90
data register (PORTA) . . . . .	89
electrical characteristics . . . . .	95
I/O circuitry . . . . .	90
I/O pin interrupts (PA0–PA3) . . . . .	92
LED drive capability . . . . .	92
pin operation . . . . .	91
pins . . . . .	31
pulldown register (PDRA) . . . . .	91
port B	
data direction register (DDRB) . . . . .	93
electrical characteristics . . . . .	95

I/O circuitry . . . . .	93
pin operation . . . . .	94
pins. . . . .	31
port B data register (PORTB). . . . .	92
pulldown register (PDRB). . . . .	94
power dissipation. . . . .	120
power-on reset. . . . .	71
program counter (PC) . . . . .	50
programmable options. . . . .	25
programming model (CPU) . . . . .	47
pulldown register A (PDRA). . . . .	91
pulldown register B (PDRB). . . . .	94
pulldown resistors	
programmable option . . . . .	25
<b>R</b>	
RAM. . . . .	37
stack RAM . . . . .	76
registers	
CPU . . . . .	48
I/O register summary . . . . .	35
parallel I/O port register summary . . . . .	88
<u>RESET</u> pin. . . . .	30, 72
resets. . . . .	70
COP register (COPR). . . . .	72
COP watchdog reset . . . . .	72
external reset . . . . .	72
external reset timing. . . . .	72
illegal address . . . . .	72
power-on reset (POR) . . . . .	71
power-on reset timing. . . . .	71
reset sources . . . . .	70
reset/interrupt vector addresses. . . . .	77
resistors (pulldown)	
programmable option . . . . .	25
RT1, RT0 bits . . . . .	113

RTIE bit . . . . . 113  
 RTIF bit . . . . . 113  
 RTIFR bit . . . . . 113

**S**

Schmitt trigger . . . . . 31, 104, 105  
 SOSCD bit . . . . . 41  
 stack pointer register (SP) . . . . . 49  
 STOP instruction . . . . . 81, 100, 106  
 stop mode . . . . . 82, 100  
     effect on COP watchdog . . . . . 100  
     effects on timer. . . . . 115  
     STOP instruction flowchart. . . . . 86  
     stop recovery timing. . . . . 85  
 stop/halt mode programmable option . . . . . 25  
 SWAIT bit . . . . . 42  
 SWPDI bit . . . . . 42

**T**

thermal resistance . . . . . 120  
 timer  
     block diagram . . . . . 110  
     features . . . . . 109  
     I/O registers . . . . . 112  
     interrupts . . . . . 76, 112  
     low-power modes . . . . . 115  
     operation . . . . . 111  
     timer counter register . . . . . 114  
     timer interrupt vector . . . . . 76  
     timer status and control register (TSCR) . . . . . 112  
 TOF bit . . . . . 113  
 TOFR bit . . . . . 113  
 TOIE bit . . . . . 113

## V

V <sub>DD</sub> pin .....	25
V <sub>SS</sub> pin.....	25

## W

WAIT instruction .....	81, 100, 106
wait mode .....	100
effects on timer.....	115

## Z

Z bit .....	51
-------------	----





**Freescale Semiconductor, Inc.**

**Freescale Semiconductor, Inc.**

**For More Information On This Product,  
Go to: [www.freescale.com](http://www.freescale.com)**

MC68HC705J1A/D

**For More Information On This Product,  
Go to: [www.freescale.com](http://www.freescale.com)**