
HM6216255HI Series

4M high Speed SRAM (256-kword × 16-bit)

HITACHI

ADE-203-1037A (Z)

Rev. 1.0

Apr. 15, 1999

Description

The HM6216255HI Series is a 4-Mbit high speed static RAM organized 256-k word × 16-bit. It has realized high speed access time by employing CMOS process (4-transistor + 2-poly resistor memory cell) and high speed circuit designing technology. It is most appropriate for the application which requires high speed, high density memory and wide bit width configuration, such as cache and buffer memory in system. It is packaged in 400-mil 44-pin plastic SOJ and 400-mil 44-pin plastic TSOPII.

Features

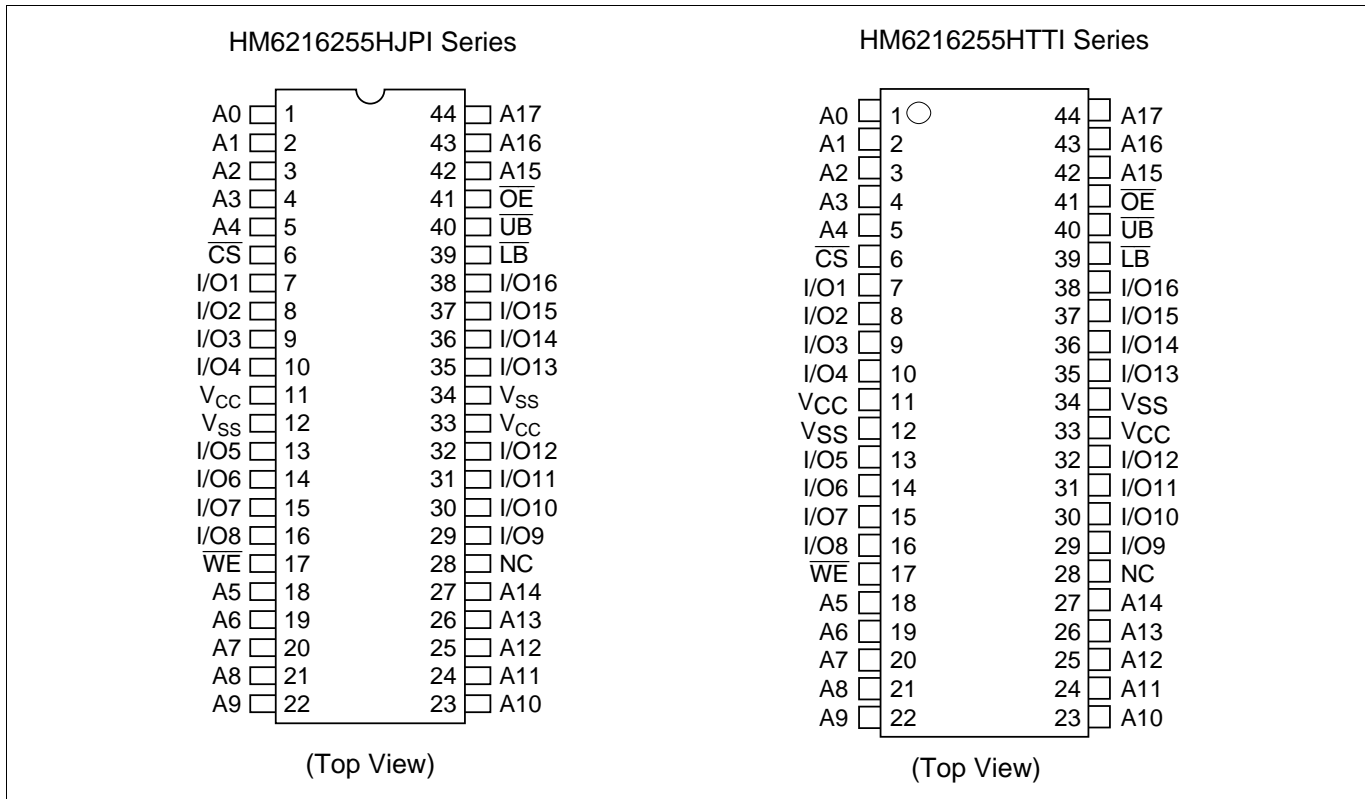
- Single 5.0 V supply : 5.0 V ± 10 %
- Access time: 12/15 ns (max)
- Completely static memory
 - No clock or timing strobe required
- Equal access and cycle times
- Directly TTL compatible
 - All inputs and outputs
- Operating current: 200/180 mA (max)
- TTL standby current: 60/50 mA (max)
- CMOS standby current: 5 mA (max)
- Center V_{CC} and V_{SS} type pinout
- Temperature range: -40 to 85°C

HM6216255HI Series

Ordering Information

Type No.	Access time	Package
HM6216255HJPI-12	12 ns	400-mil 44-pin plastic SOJ (CP-44D)
HM6216255HJPI-15	15 ns	
HM6216255HTTI-12	12 ns	400-mil 44-pin plastic TSOPII (TTP-44DE)
HM6216255HTTI-15	15 ns	

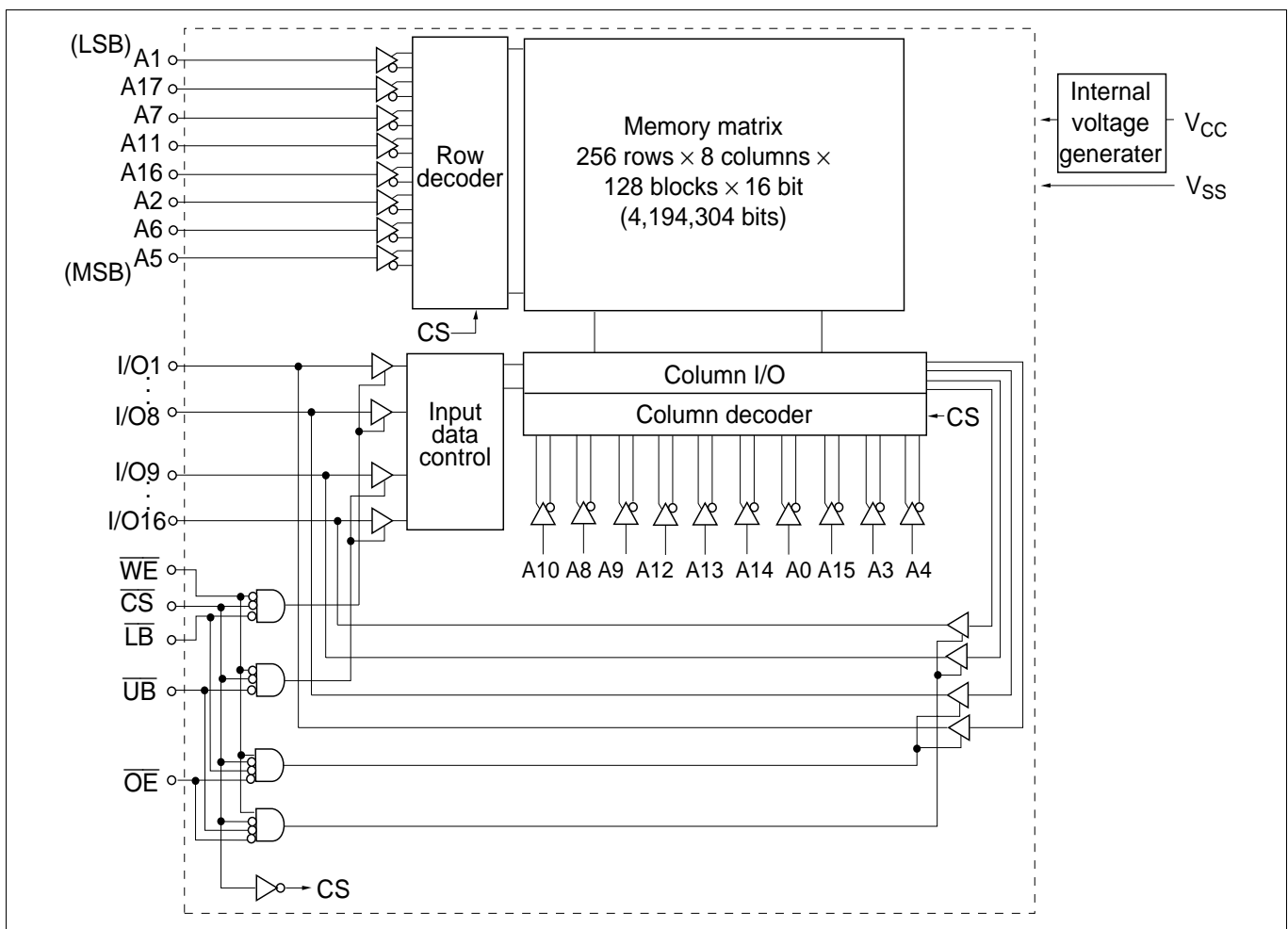
Pin Arrangement



Pin Description

Pin name	Function	Pin name	Function
A0 to A17	Address input	\overline{UB}	Upper byte select
I/O1 to I/O16	Data input/output	\overline{LB}	Lower byte select
\overline{CS}	Chip select	V_{CC}	Power supply
\overline{OE}	Output enable	V_{SS}	Ground
\overline{WE}	Write enable	NC	No connection

Block Diagram



HM6216255HI Series

Operation Table

\overline{CS}	\overline{OE}	\overline{WE}	\overline{LB}	\overline{UB}	Mode	V_{CC} current	I/O1–I/O8	I/O9–I/O16	Ref. cycle
H	×	×	×	×	Standby	I_{SB}, I_{SB1}	High-Z	High-Z	—
L	H	H	×	×	Output disable	I_{CC}	High-Z	High-Z	—
L	L	H	L	L	Read	I_{CC}	Output	Output	Read cycle
L	L	H	L	H	Lower byte read	I_{CC}	Output	High-Z	Read cycle
L	L	H	H	L	Upper byte read	I_{CC}	High-Z	Output	Read cycle
L	L	H	H	H	—	I_{CC}	High-Z	High-Z	—
L	×	L	L	L	Write	I_{CC}	Input	Input	Write cycle
L	×	L	L	H	Lower byte write	I_{CC}	Input	High-Z	Write cycle
L	×	L	H	L	Upper byte write	I_{CC}	High-Z	Input	Write cycle
L	×	L	H	H	—	I_{CC}	High-Z	High-Z	—

Note: ×: H or L

Absolute Maximum Ratings

Parameter	Symbol	Value	Unit
Supply voltage relative to V_{SS}	V_{CC}	−0.5 to +7.0	V
Voltage on any pin relative to V_{SS}	V_T	−0.5* ¹ to $V_{CC} + 0.5$ * ²	V
Power dissipation	P_T	1.0* ³ /1.3* ⁴	W
Operating temperature	T_{opr}	−40 to +85	°C
Storage temperature	T_{stg}	−55 to +125	°C
Storage temperature under bias	T_{bias}	−40 to +85	°C

- Notes: 1. V_T (min) = −2.0 V for pulse width (under shoot) ≤ 8 ns
 2. V_T (max) = $V_{CC} + 2.0$ V for pulse width (over shoot) ≤ 8 ns
 3. At still air condition
 4. At air flow ≥ 1.0 m/s

Recommended DC Operating Conditions ($T_a = -40$ to $+85^\circ\text{C}$)

Parameter	Symbol	Min	Typ	Max	Unit
Supply voltage	V_{CC}^{*2}	4.5	5.0	5.5	V
	V_{SS}^{*3}	0	0	0	V
Input voltage	V_{IH}	2.2	—	$V_{CC} + 0.5^{*2}$	V
	V_{IL}	-0.5^{*1}	—	0.8	V

- Notes: 1. V_{IL} (min) = -2.0 V for pulse width (under shoot) ≤ 8 ns
2. V_{IH} (max) = $V_{CC} + 2.0$ V for pulse width (over shoot) ≤ 8 ns
3. The supply voltage with all V_{CC} pins must be on the same level.
4. The supply voltage with all V_{SS} pins must be on the same level.

DC Characteristics ($T_a = -40$ to $+85^\circ\text{C}$, $V_{CC} = 5.0$ V $\pm 10\%$, $V_{SS} = 0$ V)

Parameter	Symbol	Min	Typ ^{*1}	Max	Unit	Test conditions
Input leakage current	$ I_{IL} $	—	—	2	μA	$V_{in} = V_{SS}$ to V_{CC}
Output leakage current ^{*1}	$ I_{LO} $	—	—	2	μA	$V_{in} = V_{SS}$ to V_{CC}
Operating power supply current	12 ns cycle I_{CC}	—	—	200	mA	Min cycle $\overline{CS} = V_{IL}$, $I_{out} = 0$ mA Other inputs = V_{IH}/V_{IL}
	15 ns cycle I_{CC}	—	—	180		
Standby power supply current	12 ns cycle I_{SB}	—	—	60	mA	Min cycle, $\overline{CS} = V_{IH}$, Other inputs = V_{IH}/V_{IL}
	15 ns cycle I_{SB}	—	—	50		
	I_{SB1}	—	0.1	5	mA	$f = 0$ MHz $V_{CC} \geq \overline{CS} \geq V_{CC} - 0.2$ V, (1) 0 V $\leq V_{in} \leq 0.2$ V or (2) $V_{CC} \geq V_{in} \geq V_{CC} - 0.2$ V
Output voltage	V_{OL}	—	—	0.4	V	$I_{OL} = 8$ mA
	V_{OH}	2.4	—	—	V	$I_{OH} = -4$ mA

Note: 1. Typical values are at $V_{CC} = 5.0$ V, $T_a = +25^\circ\text{C}$ and not guaranteed.

Capacitance ($T_a = +25^\circ\text{C}$, $f = 1.0$ MHz)

Parameter	Symbol	Min	Typ	Max	Unit	Test conditions
Input capacitance ^{*1}	C_{in}	—	—	6	pF	$V_{in} = 0$ V
Input/output capacitance ^{*1}	$C_{I/O}$	—	—	8	pF	$V_{I/O} = 0$ V

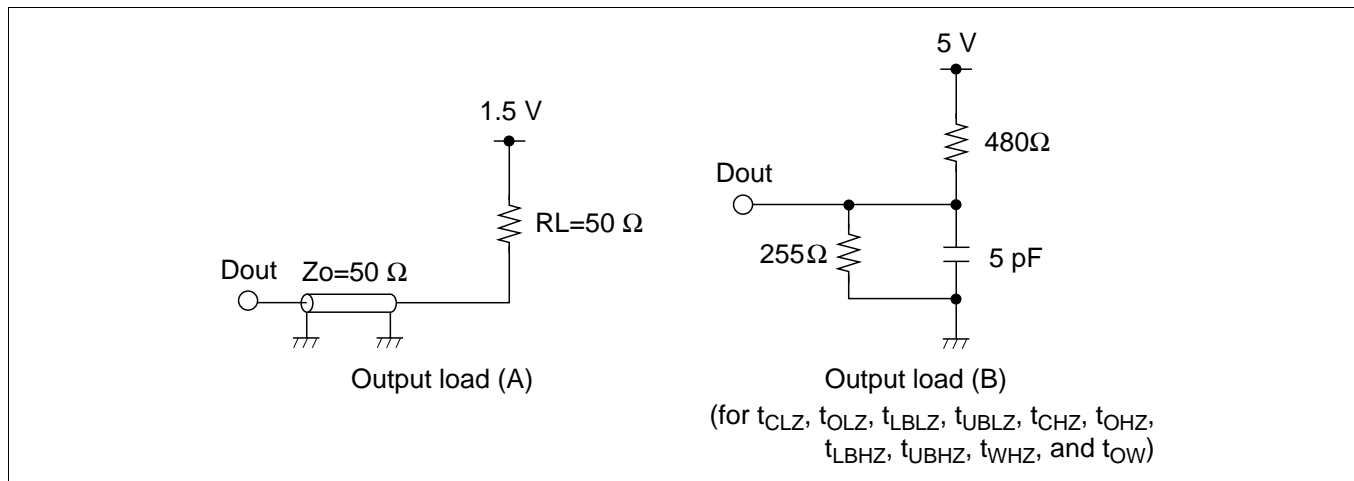
Note: 1. This parameter is sampled and not 100% tested.

HM6216255HI Series

AC Characteristics ($T_a = -40$ to $+85^\circ\text{C}$, $V_{CC} = 5.0\text{ V} \pm 10\%$, unless otherwise noted.)

Test Conditions

- Input pulse levels: 3.0 V/0.0 V
- Input rise and fall time: 3 ns
- Input and output timing reference levels: 1.5 V
- Output load: See figures (Including scope and jig)



Read Cycle

Parameter	Symbol	HM6216255HI				Unit	Notes
		-12		-15			
		Min	Max	Min	Max		
Read cycle time	t_{RC}	12	—	15	—	ns	
Address access time	t_{AA}	—	12	—	15	ns	
Chip select access time	t_{ACS}	—	12	—	15	ns	
Output enable to output valid	t_{OE}	—	6	—	7	ns	
Byte select to output valid	t_{LB}, t_{UB}	—	6	—	7	ns	
Output hold from address change	t_{OH}	3	—	3	—	ns	
Chip select to output in low-Z	t_{CLZ}	3	—	3	—	ns	1
Output enable to output in low-Z	t_{OLZ}	0	—	0	—	ns	1
Byte select to output in low-Z	t_{LBLZ}, t_{UBLZ}	0	—	0	—	ns	1
Chip deselect to output in high-Z	t_{CHZ}	—	6	—	7	ns	1
Output disable to output in high-Z	t_{OHZ}	—	6	—	7	ns	1
Byte deselect to output in high-Z	t_{LBHZ}, t_{UBHZ}	—	6	—	7	ns	1

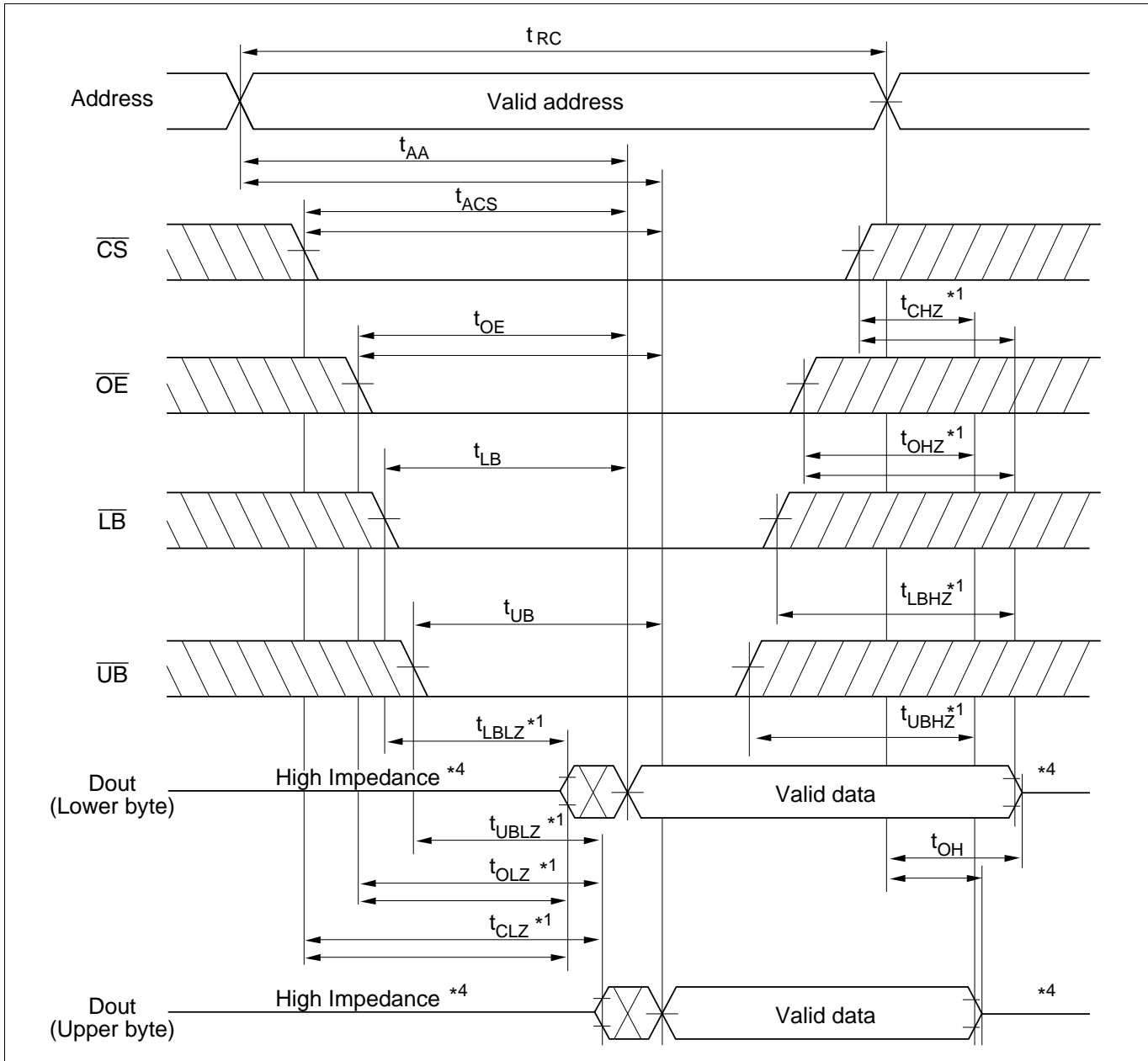
Write Cycle

Parameter	Symbol	HM6216255HI				Unit	Notes
		-12		-15			
		Min	Max	Min	Max		
Write cycle time	t_{WC}	12	—	15	—	ns	
Address valid to end of write	t_{AW}	8	—	10	—	ns	
Chip select to end of write	t_{CW}	8	—	10	—	ns	8
Write pulse width	t_{WP}	8	—	10	—	ns	7
Byte select to end of write	t_{LBW}, t_{UBW}	8	—	10	—	ns	9, 10
Address setup time	t_{AS}	0	—	0	—	ns	5
Write recovery time	t_{WR}	0	—	0	—	ns	6
Data to write time overlap	t_{DW}	6	—	7	—	ns	
Data hold from write time	t_{DH}	0	—	0	—	ns	
Write disable to output in low-Z	t_{OW}	3	—	3	—	ns	1
Output disable to output in high-Z	t_{OHZ}	—	6	—	7	ns	1
Write enable to output in high-Z	t_{WHZ}	—	6	—	7	ns	1

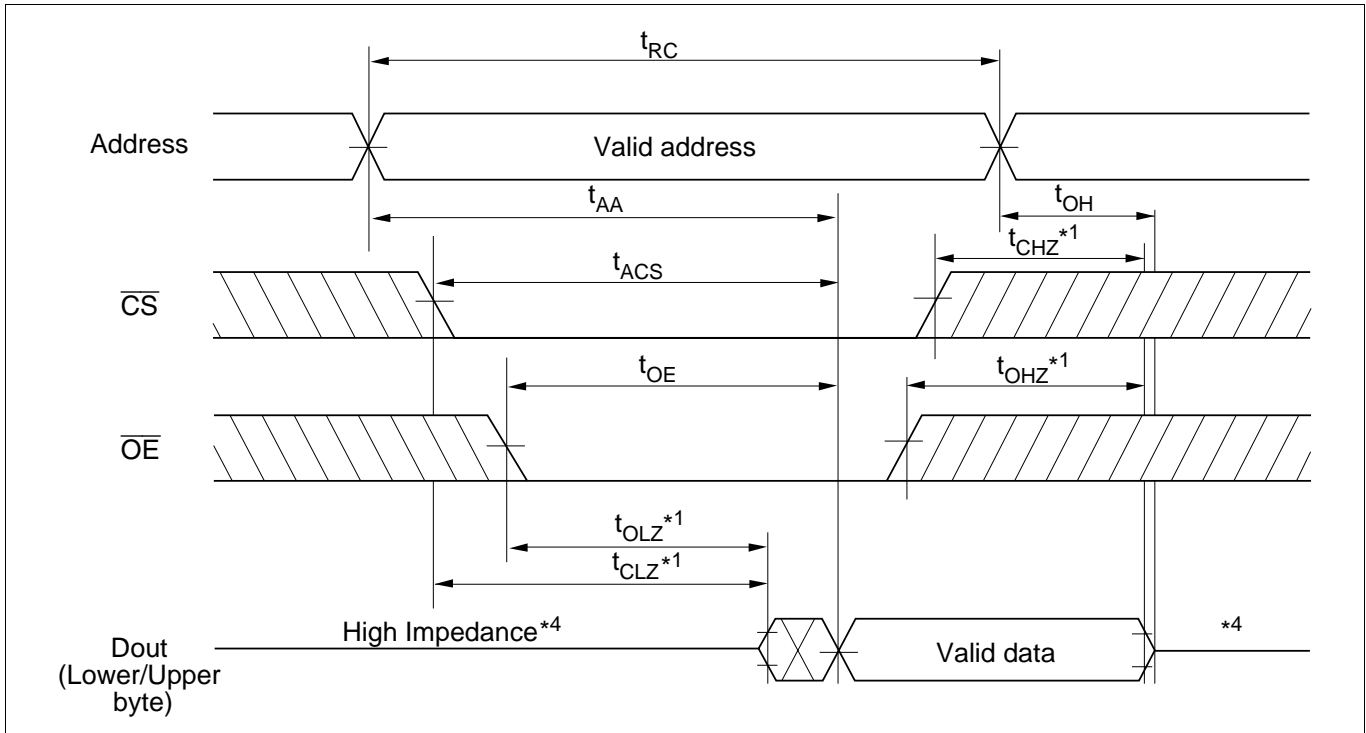
- Notes:
1. Transition is measured ± 200 mV from steady voltage with Load (B). This parameter is sampled and not 100% tested.
 2. If the \overline{CS} or \overline{LB} or \overline{UB} low transition occurs simultaneously with the \overline{WE} low transition or after the \overline{WE} transition, output remains a high impedance state.
 3. \overline{WE} and/or \overline{CS} must be high during address transition time.
 4. If \overline{CS} , \overline{OE} , \overline{LB} and \overline{UB} are low during this period, I/O pins are in the output state. Then the data input signals of opposite phase to the outputs must not be applied to them.
 5. t_{AS} is measured from the latest address transition to the latest of \overline{CS} , \overline{WE} , \overline{LB} or \overline{UB} going low.
 6. t_{WR} is measured from the earliest of \overline{CS} , \overline{WE} , \overline{LB} or \overline{UB} going high to the first address transition.
 7. A write occurs during the overlap of low \overline{CS} , low \overline{WE} and low \overline{LB} or low \overline{UB} .
 8. t_{CW} is measured from the later of \overline{CS} going low to the end of write.
 9. t_{LBW} is measured from the later of \overline{LB} going low to the end of write.
 10. t_{UBW} is measured from the later of \overline{UB} going low to the end of write.

Timing Waveforms

Read Timing Waveform (1) ($\overline{WE} = V_{IH}$)

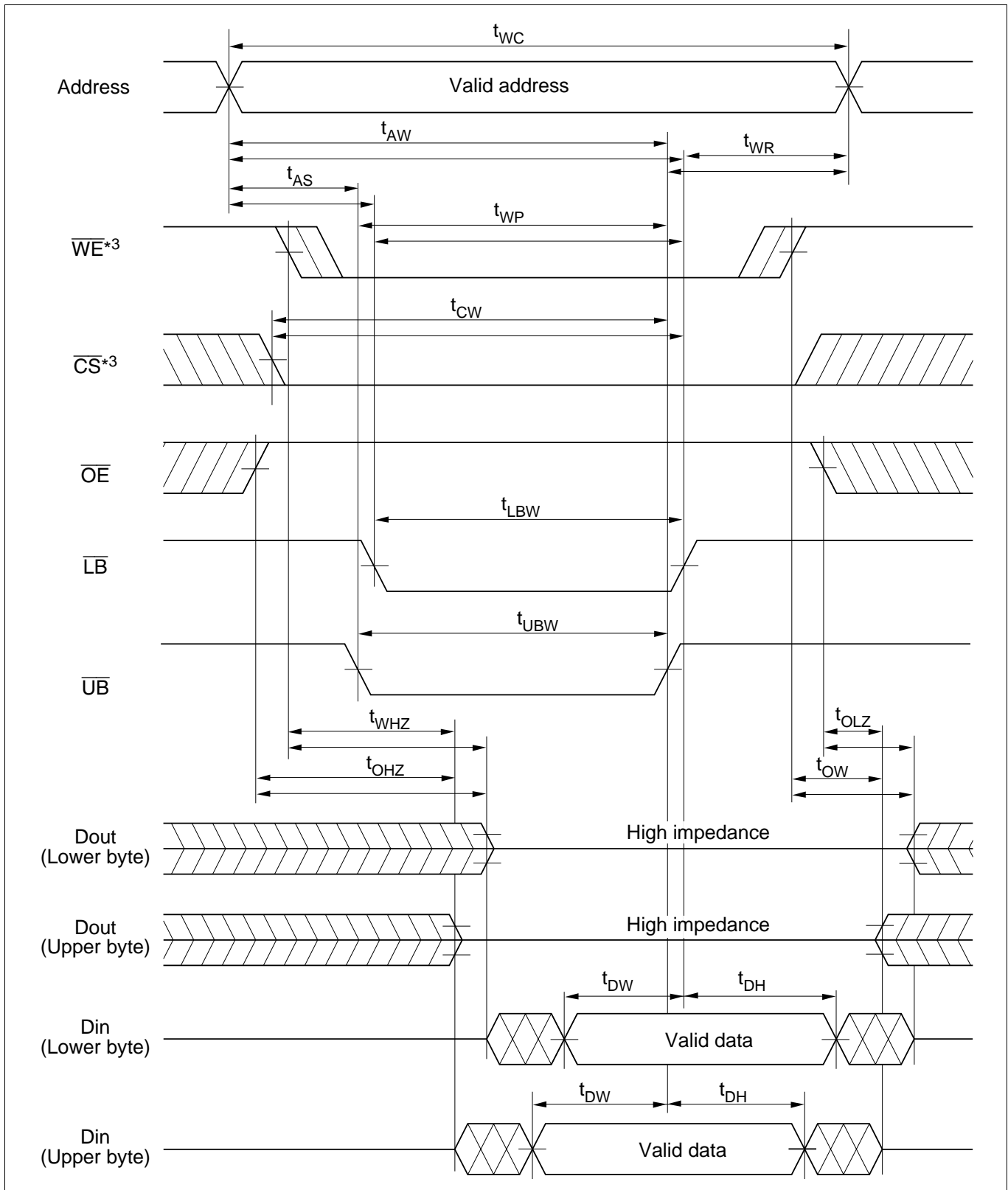


Read Timing Waveform (2) ($\overline{WE} = V_{IH}$, $\overline{LB} = V_{IL}$, $\overline{UB} = V_{IL}$)

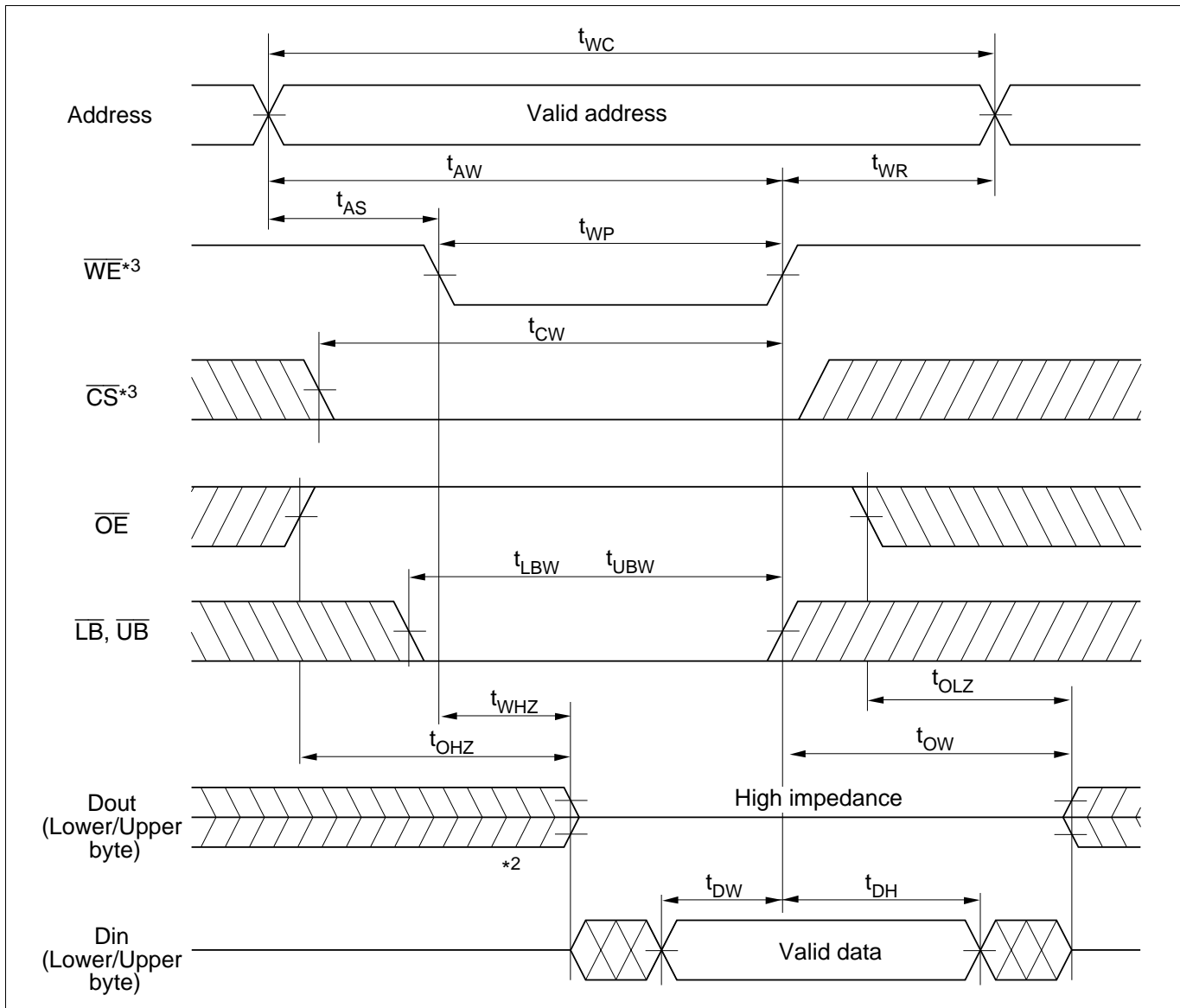


HM6216255HI Series

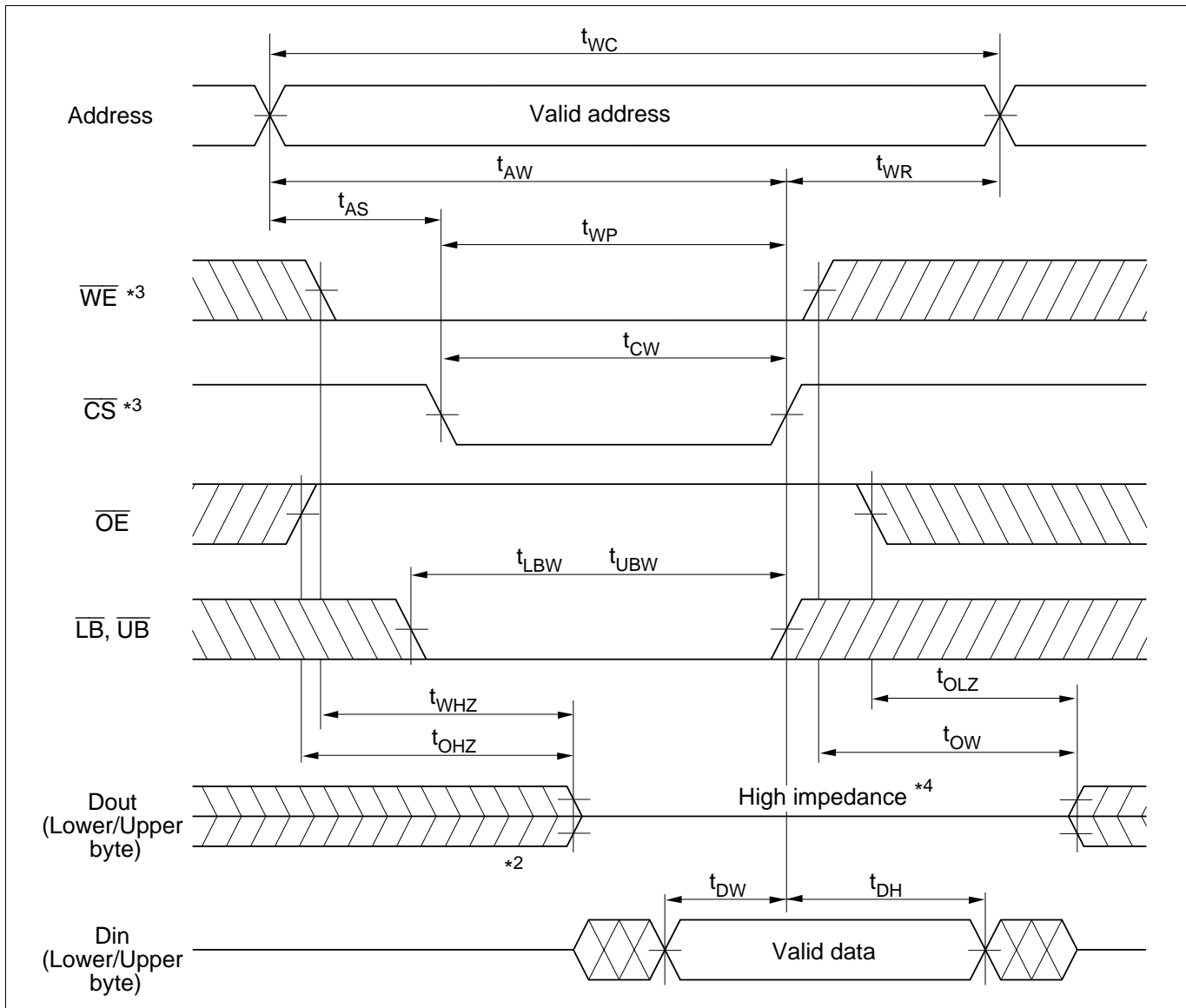
Write Timing Waveform (1) ($\overline{\text{LB}}$, $\overline{\text{UB}}$ Controlled)



Write Timing Waveform (2) (\overline{WE} Controlled)



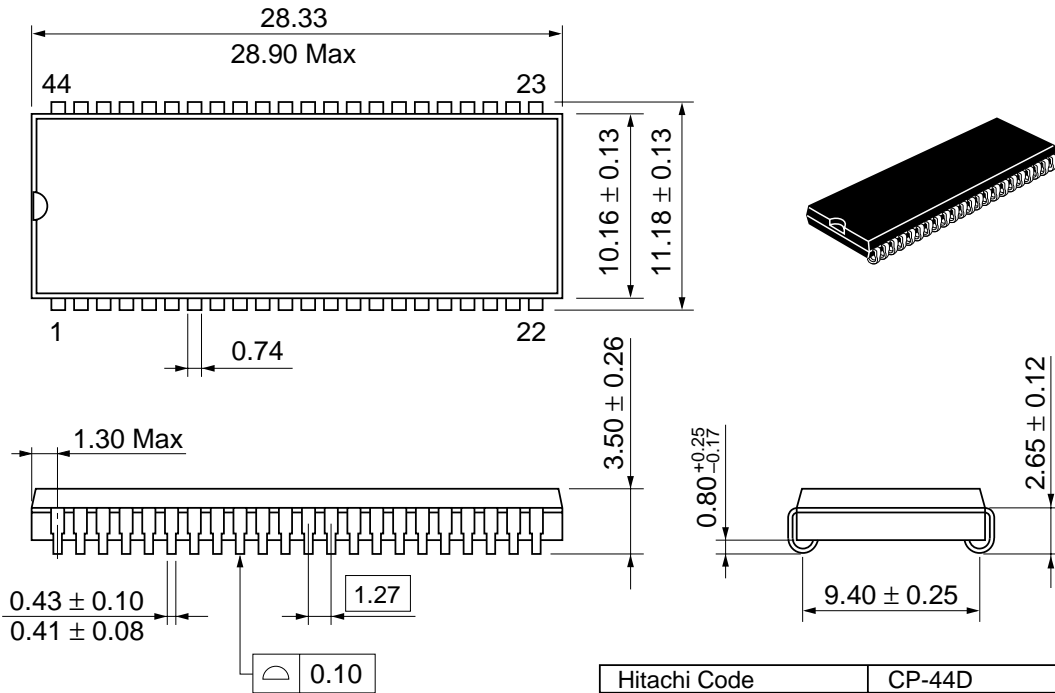
Write Timing Waveform (3) (\overline{CS} Controlled)



Package Dimensions

HM6216255HJPI Series (CP-44D)

Unit: mm



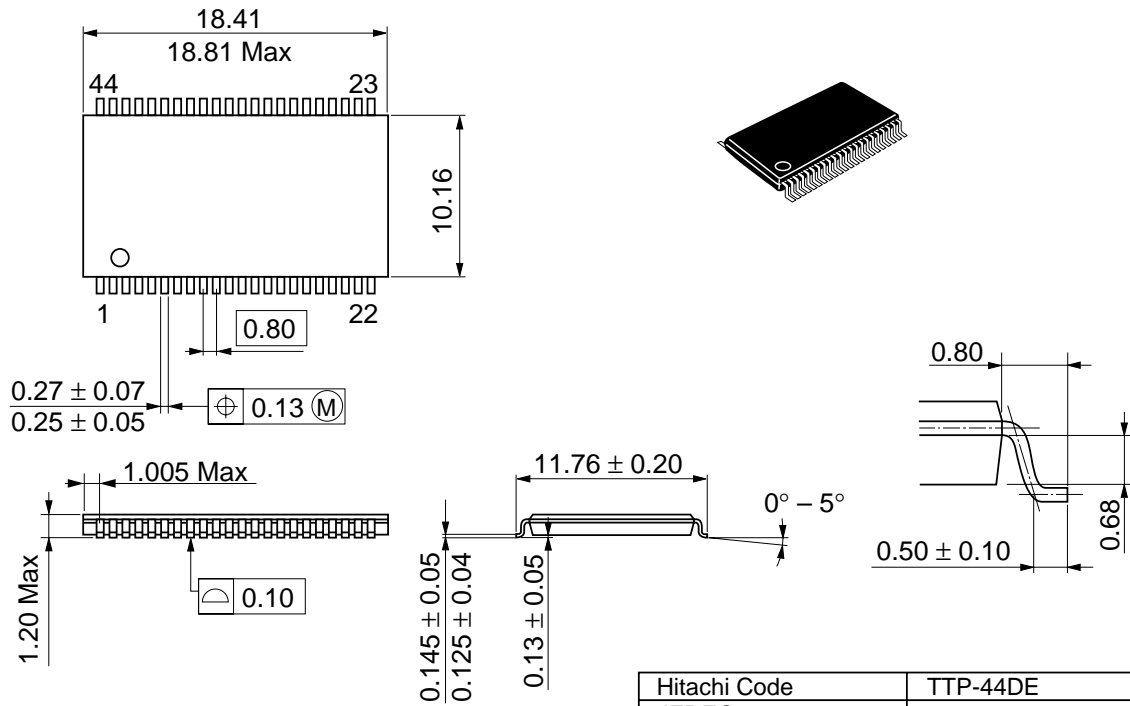
Dimension including the plating thickness
Base material dimension

Hitachi Code	CP-44D
JEDEC	Conforms
EIAJ	—
Weight (reference value)	1.8 g

HM6216255HI Series

HM6216255HTTI Series (TTP-44DE)

Unit: mm



Dimension including the plating thickness
Base material dimension

Hitachi Code	TTP-44DE
JEDEC	—
EIAJ	—
Weight (reference value)	0.43 g

Cautions

1. Hitachi neither warrants nor grants licenses of any rights of Hitachi's or any third party's patent, copyright, trademark, or other intellectual property rights for information contained in this document. Hitachi bears no responsibility for problems that may arise with third party's rights, including intellectual property rights, in connection with use of the information contained in this document.
2. Products and product specifications may be subject to change without notice. Confirm that you have received the latest product standards or specifications before final design, purchase or use.
3. Hitachi makes every attempt to ensure that its products are of high quality and reliability. However, contact Hitachi's sales office before using the product in an application that demands especially high quality and reliability or where its failure or malfunction may directly threaten human life or cause risk of bodily injury, such as aerospace, aeronautics, nuclear power, combustion control, transportation, traffic, safety equipment or medical equipment for life support.
4. Design your application so that the product is used within the ranges guaranteed by Hitachi particularly for maximum rating, operating supply voltage range, heat radiation characteristics, installation conditions and other characteristics. Hitachi bears no responsibility for failure or damage when used beyond the guaranteed ranges. Even within the guaranteed ranges, consider normally foreseeable failure rates or failure modes in semiconductor devices and employ systemic measures such as fail-safes, so that the equipment incorporating Hitachi product does not cause bodily injury, fire or other consequential damage due to operation of the Hitachi product.
5. This product is not designed to be radiation resistant.
6. No one is permitted to reproduce or duplicate, in any form, the whole or part of this document without written approval from Hitachi.
7. Contact Hitachi's sales office for any questions regarding this document or Hitachi semiconductor products.

HITACHI

Hitachi, Ltd.

Semiconductor & Integrated Circuits.
 Nippon Bldg., 2-6-2, Ohte-machi, Chiyoda-ku, Tokyo 100-0004, Japan
 Tel: Tokyo (03) 3270-2111 Fax: (03) 3270-5109

URL NorthAmerica : <http://semiconductor.hitachi.com/>
 Europe : <http://www.hitachi-eu.com/hel/ecg>
 Asia (Singapore) : <http://www.has.hitachi.com.sg/grp3/sicd/index.htm>
 Asia (Taiwan) : http://www.hitachi.com.tw/E/Product/SICD_Frame.htm
 Asia (HongKong) : <http://www.hitachi.com.hk/eng/bo/grp3/index.htm>
 Japan : <http://www.hitachi.co.jp/Sicd/indx.htm>

For further information write to:

Hitachi Semiconductor
 (America) Inc.
 179 East Tasman Drive,
 San Jose, CA 95134
 Tel: <1> (408) 433-1990
 Fax: <1>(408) 433-0223

Hitachi Europe GmbH
 Electronic components Group
 Dornacher Straße 3
 D-85622 Feldkirchen, Munich
 Germany
 Tel: <49> (89) 9 9180-0
 Fax: <49> (89) 9 29 30 00
 Hitachi Europe Ltd.
 Electronic Components Group.
 Whitebrook Park
 Lower Cookham Road
 Maidenhead
 Berkshire SL6 8YA, United Kingdom
 Tel: <44> (1628) 585000
 Fax: <44> (1628) 778322

Hitachi Asia Pte. Ltd.
 16 Collyer Quay #20-00
 Hitachi Tower
 Singapore 049318
 Tel: 535-2100
 Fax: 535-1533

Hitachi Asia Ltd.
 Taipei Branch Office
 3F, Hung Kuo Building. No.167,
 Tun-Hwa North Road, Taipei (105)
 Tel: <886> (2) 2718-3666
 Fax: <886> (2) 2718-8180

Hitachi Asia (Hong Kong) Ltd.
 Group III (Electronic Components)
 7/F., North Tower, World Finance Centre,
 Harbour City, Canton Road, Tsim Sha Tsui,
 Kowloon, Hong Kong
 Tel: <852> (2) 735 9218
 Fax: <852> (2) 730 0281
 Telex: 40815 HITEC HX

Copyright © Hitachi, Ltd., 1998. All rights reserved. Printed in Japan.

HM6216255HI Series

Revision Record

Rev.	Date	Contents of Modification	Drawn by	Approved by
1.0	Apr. 15, 1999	Initial issue		
