

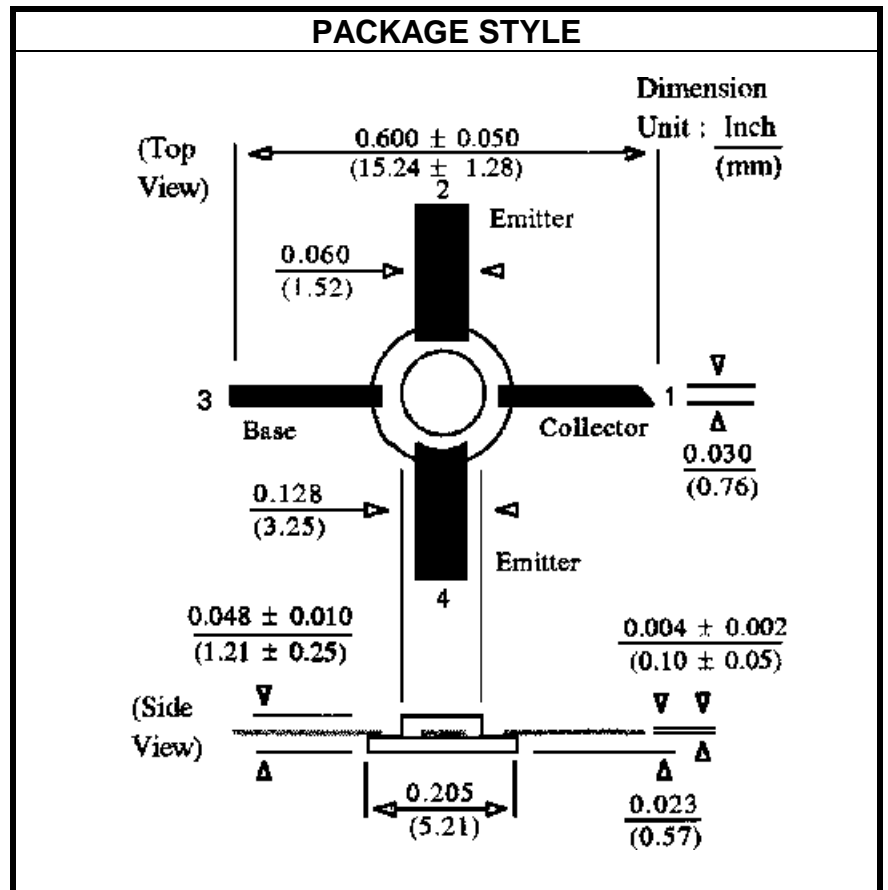
NPN SILICON RF TRANSISTOR

DESCRIPTION:

The **AT64020** is a Common Emitter Device Designed for Medium Power Class C Applications Operating at VHF,UHF Frequencies.

MAXIMUM RATINGS

I_C	120 mA
I_C	180 mA (MAX)
V_{CEO}	15 V
V_{CBO}	25 V
V_{EBO}	1.5 V
T_J	200 °C
T_{STG}	-65 °C to +150 °C


CHARACTERISTICS $T_C = 25\text{ }^\circ\text{C}$

SYMBOL	TEST CONDITIONS			MINIMUM	TYPICAL	MAXIMUM	UNITS
I_{CBO}	$V_{CB} = 10\text{ V}$					400	μA
h_{FE}	$V_{CE} = 8.0\text{ V}$	$I_C = 15\text{ mA}$		30	110	300	---
f_t	$V_{CE} = 10\text{ V}$	$I_C = 60\text{ mA}$	$f = 1.0\text{ GHz}$		8.0		GHz
$ S_{21} ^2$	$V_{CE} = 10\text{ V}$	$I_C = 60\text{ mA}$	$f = 1.0\text{ GHz}$		15.6		dB
$ S_{21} ^2$	$V_{CE} = 10\text{ V}$	$I_C = 60\text{ mA}$	$f = 2.0\text{ GHz}$		9.0		dB
P_{1dB}	$V_{CE} = 10\text{ V}$	$I_C = 75\text{ mA}$	$f = 1.0\text{ GHz}$		27		dBm
NF	$V_{CE} = 8.0\text{ V}$	$I_C = 20\text{ mA}$	$f = 1.0\text{ GHz}$		1.6		dB