

MCT1413, B

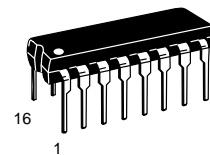
High Voltage, High Current Darlington Transistor Array

The seven NPN Darlington connected transistors in this array are well suited for driving lamps, relays, or printer hammers in a variety of industrial and consumer applications. Their high breakdown voltage and internal suppression diodes insure freedom from problems associated with inductive loads. Peak inrush currents to 600 mA permit them to drive incandescent lamps.

The MCT1413, B with a 2.7 k Ω series input resistor is well suited for systems utilizing a 5.0 V TTL or CMOS Logic.

PERIPHERAL DRIVER ARRAY

SEMICONDUCTOR TECHNICAL DATA



P SUFFIX
PLASTIC PACKAGE
CASE 648D

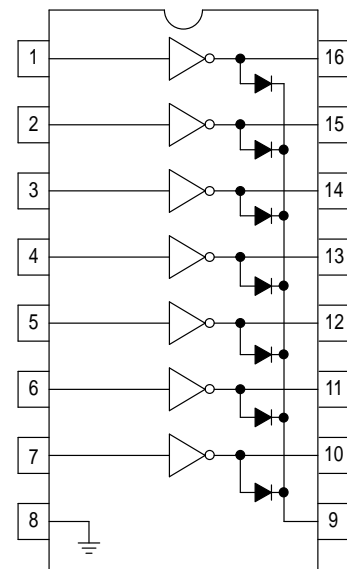
This MCT–prefixed device is intended to be a possible replacement for the similar device with the MC–prefix. Because the MCT device originates from different source material, there may be subtle differences in typical parameter values or characteristic curves. Due to the diversity of potential applications, Motorola can not assure identical performance in all circuits. Motorola recommends that the customer qualify the MCT–prefixed device in each potential application.

MAXIMUM RATINGS ($T_A = 25^\circ\text{C}$ and rating apply to any one device in the package unless otherwise noted.)

Rating	Symbol	Value	Unit
Output Voltage	V_O	50	V
Input Voltage	V_I	30	V
Collector Current – Continuous	I_C	500	mA
Base Current – Continuous	I_B	25	mA
Operating Ambient Temperature Range MCT1413 MCT1413B	T_A	– 20 to + 85 – 40 to + 85	$^\circ\text{C}$
Storage Temperature Range	T_{stg}	– 55 to +150	$^\circ\text{C}$
Junction Temperature	T_J	150	$^\circ\text{C}$
Thermal Resistance – Junction–to–Ambient	θ_{JA}	67	$^\circ\text{C}/\text{W}$

CAUTION: These devices do not have internal ESD protection circuitry and are rated as CLASS 1 devices per the ESD test method in Mil–Std–883D. They should be handled using standard ESD prevention methods to avoid damage to the device.

PIN CONNECTIONS



ORDERING INFORMATION

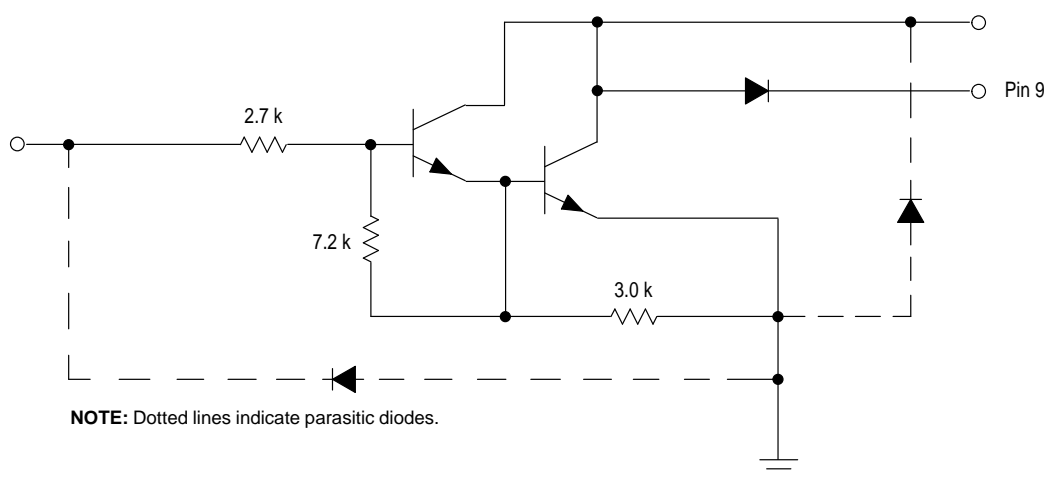
Device	Operating Temperature Range	Package
MCT1413P (ULN2003A)	$T_A = -20^\circ$ to $+85^\circ\text{C}$	Plastic
MCT1413BP	$T_A = -40^\circ$ to $+85^\circ\text{C}$	

MCT1413, B

ELECTRICAL CHARACTERISTICS (T_A = 25°C, unless otherwise noted.)

Characteristic	Symbol	Min	Typ	Max	Unit
Output Leakage Current (V _O = 50 V) (V _O = 50 V, T _A = + 85°C) (V _O = 50 V, T _A = - 40°C)	I _{CEX}	-	-	50 100 100	μA
Collector-Emitter Saturation Voltage (I _C = 350 mA, I _B = 500 μA) (I _C = 200 mA, I _B = 350 μA) (I _C = 100 mA, I _B = 250 μA) (I _C = 350 mA, I _B = 500 μA, T _A = + 85°C, - 40°C) (I _C = 200 mA, I _B = 350 μA, T _A = + 85°C, - 40°C) (I _C = 100 mA, I _B = 250 μA, T _A = + 85°C, - 40°C)	V _{CE(sat)}	-	1.1 0.95 0.85	1.6 1.3 1.1 1.75 1.5 1.3	V
Input Current – ON Condition (V _{in} = 3.85 V)	I _{in}	-	0.93	1.35	mA
Output Voltage – ON Condition (V _{in} = 2.4 V, I _C = 200 mA) (V _{in} = 2.7 V, I _C = 250 mA) (V _{in} = 3.0 V, I _C = 300 mA) (V _{in} = 2.7 V, I _C = 250 mA, T _A = + 85°C, - 40°C) (V _{in} = 3.0 V, I _C = 300 mA, T _A = + 85°C, - 40°C)	V _{out}	-	-	2.0 2.0 2.0 2.0 2.0	V
Output Current – OFF Condition (I _{in} = 50 μA, V _{out} = 5.0 V) (I _{in} = 50 μA, V _{out} = 5.0 V, T _A = + 85°C) (I _{in} = 50 μA, V _{out} = 5.0 V, T _A = - 40°C)	I _{out}	-	-	100 500 500	μA
Clamp Diode Leakage Current (V _R = 50 V) (V _R = 50 V, T _A = + 85°C) (V _R = 50 V, T _A = - 40°C)	I _R	-	-	50 100 100	μA
Clamp Diode Forward Voltage (I _F = 350 mA) (I _F = 350 mA, T _A = + 85°C, - 40°C)	V _F	-	1.5	2.0 2.0	V

Figure 1. Representative Schematic Diagram
(1/7 MCT1413, B)

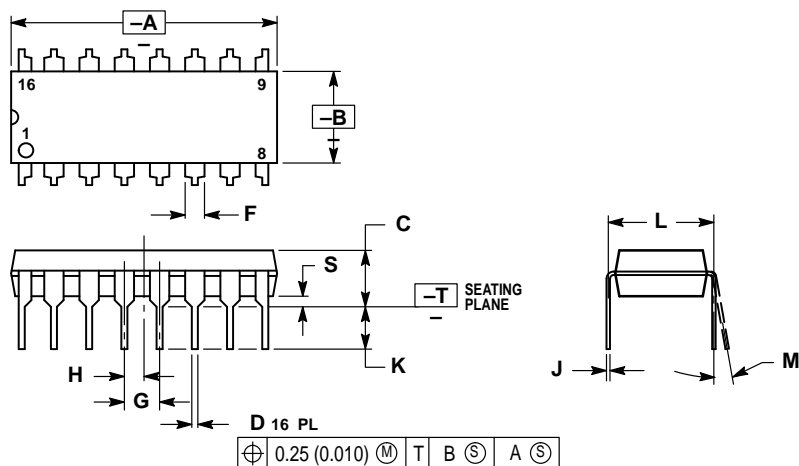


This device contains 14 active transistors.

MCT1413, B

OUTLINE DIMENSIONS

P SUFFIX
PLASTIC PACKAGE
CASE 648D-02




NOTES:

1. DIMENSIONING AND TOLERANCING PER ANSI Y14.5M, 1982.
2. CONTROLLING DIMENSION: INCH.
3. DIMENSION L TO CENTER OF LEADS WHEN FORMED PARALLEL.
4. DIMENSIONS A AND B DO NOT INCLUDE MOLD PROTRUSION.
5. MOLD FLASH OR PROTRUSIONS SHALL NOT EXCEED 0.25 (0.010).
6. ROUNDED CORNERS OPTIONAL.

DIM	INCHES		MILLIMETERS	
	MIN	MAX	MIN	MAX
A	0.740	0.760	18.80	19.30
B	0.245	0.260	6.23	6.60
C	0.145	0.175	3.69	4.44
D	0.015	0.021	0.39	0.53
F	0.050	0.070	1.27	1.77
G	0.100 BSC		2.54 BSC	
H	0.050 BSC		1.27 BSC	
J	0.008	0.015	0.21	0.38
K	0.120	0.140	3.05	3.55
L	0.295	0.305	7.50	7.74
M	0°	10°	0°	10°
S	0.015	0.035	0.39	0.88

MCT1413, B

Motorola reserves the right to make changes without further notice to any products herein. Motorola makes no warranty, representation or guarantee regarding the suitability of its products for any particular purpose, nor does Motorola assume any liability arising out of the application or use of any product or circuit, and specifically disclaims any and all liability, including without limitation consequential or incidental damages. "Typical" parameters can and do vary in different applications. All operating parameters, including "Typicals" must be validated for each customer application by customer's technical experts. Motorola does not convey any license under its patent rights nor the rights of others. Motorola products are not designed, intended, or authorized for use as components in systems intended for surgical implant into the body, or other applications intended to support or sustain life, or for any other application in which the failure of the Motorola product could create a situation where personal injury or death may occur. Should Buyer purchase or use Motorola products for any such unintended or unauthorized application, Buyer shall indemnify and hold Motorola and its officers, employees, subsidiaries, affiliates, and distributors harmless against all claims, costs, damages, and expenses, and reasonable attorney fees arising out of, directly or indirectly, any claim of personal injury or death associated with such unintended or unauthorized use, even if such claim alleges that Motorola was negligent regarding the design or manufacture of the part. Motorola and  are registered trademarks of Motorola, Inc. Motorola, Inc. is an Equal Opportunity/Affirmative Action Employer.

How to reach us:

USA / EUROPE: Motorola Literature Distribution;
P.O. Box 20912; Phoenix, Arizona 85036. 1-800-441-2447

JAPAN: Nippon Motorola Ltd.; Tatsumi-SPD-JLDC, Toshikatsu Otsuki,
6F Seibu-Butsuryu-Center, 3-14-2 Tatsumi Koto-Ku, Tokyo 135, Japan. 03-3521-8315

MFAX: RMFAX0@email.sps.mot.com - TOUCHTONE (602) 244-6609
INTERNET: <http://Design-NET.com>

HONG KONG: Motorola Semiconductors H.K. Ltd.; 8B Tai Ping Industrial Park,
51 Ting Kok Road, Tai Po, N.T., Hong Kong. 852-26629298



MCT1413B/D

